



US00D489497S

(12) **United States Design Patent**
Cattaneo

(10) **Patent No.:** **US D489,497 S**

(45) **Date of Patent:** **** May 4, 2004**

(54) **WASHING HIGH PRESSURE EQUIPMENT**

(75) **Inventor:** **Giovanni Cattaneo, Vaiano Cremasco (IT)**

(73) **Assignee:** **Interpump Cleaning S.p.A. Divisione Faip, Vaiano Cremasco (IT)**

(**) **Term:** **14 Years**

(21) **Appl. No.:** **29/181,158**

(22) **Filed:** **May 7, 2003**

(30) **Foreign Application Priority Data**

Nov. 11, 2002 (IT) MI2002/00737

(51) **LOC (7) Cl.** **15-05**

(52) **U.S. Cl.** **D32/15**

(58) **Field of Search** D32/1, 15, 21-22, D32/25; 15/3, 323, 332, 405; 134/103.2, 199, 200, 201; 239/146-158, 172; D15/7; D34/24-27, 16-23

(56) **References Cited**

U.S. PATENT DOCUMENTS

5,323,510 A * 6/1994 Redding et al. 15/323 X
5,405,086 A * 4/1995 Kranzle 239/172

D460,227 S * 7/2002 Leyden D32/22 X
D464,471 S * 10/2002 Burdsall et al. D32/15
D481,838 S * 11/2003 Renner D32/15

* cited by examiner

Primary Examiner—Louis S. Zarfaz
Assistant Examiner—Robert A. Delehanty
(74) *Attorney, Agent, or Firm*—Young & Thompson

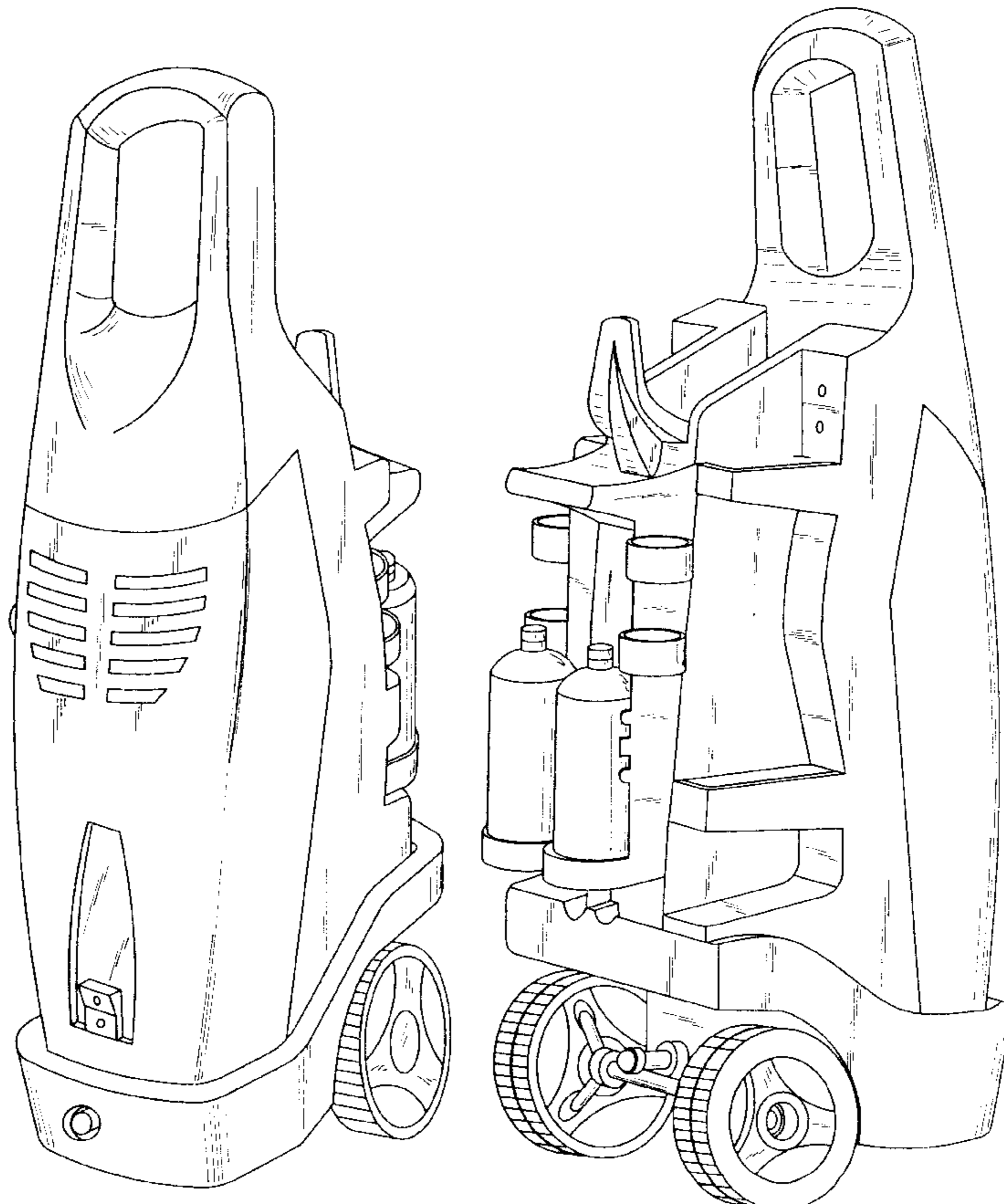
(57) **CLAIM**

The ornamental design for washing high pressure equipment, as shown.

DESCRIPTION

FIG. 1 is a top, front and side perspective view of high pressure washing equipment showing my new design; FIG. 2 is a top, rear and side perspective view thereof; FIG. 3 is a front elevational view thereof; FIG. 4 is a rear elevational view thereof; FIG. 5 is a side elevational view thereof from the right of FIG. 3; FIG. 6 is a side elevational view thereof from the left of FIG. 3; FIG. 7 is a top plan view thereof; and, FIG. 8 is a bottom plan view thereof.

1 Claim, 4 Drawing Sheets



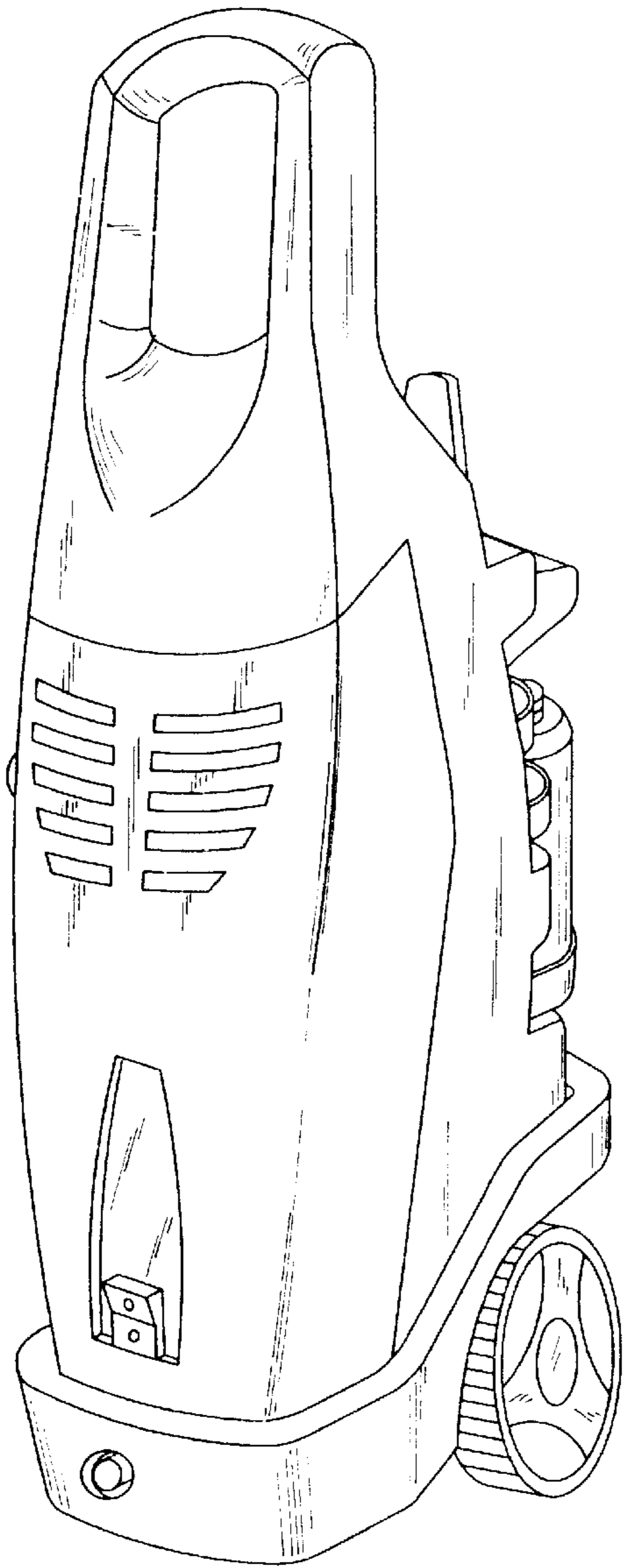


Fig.1

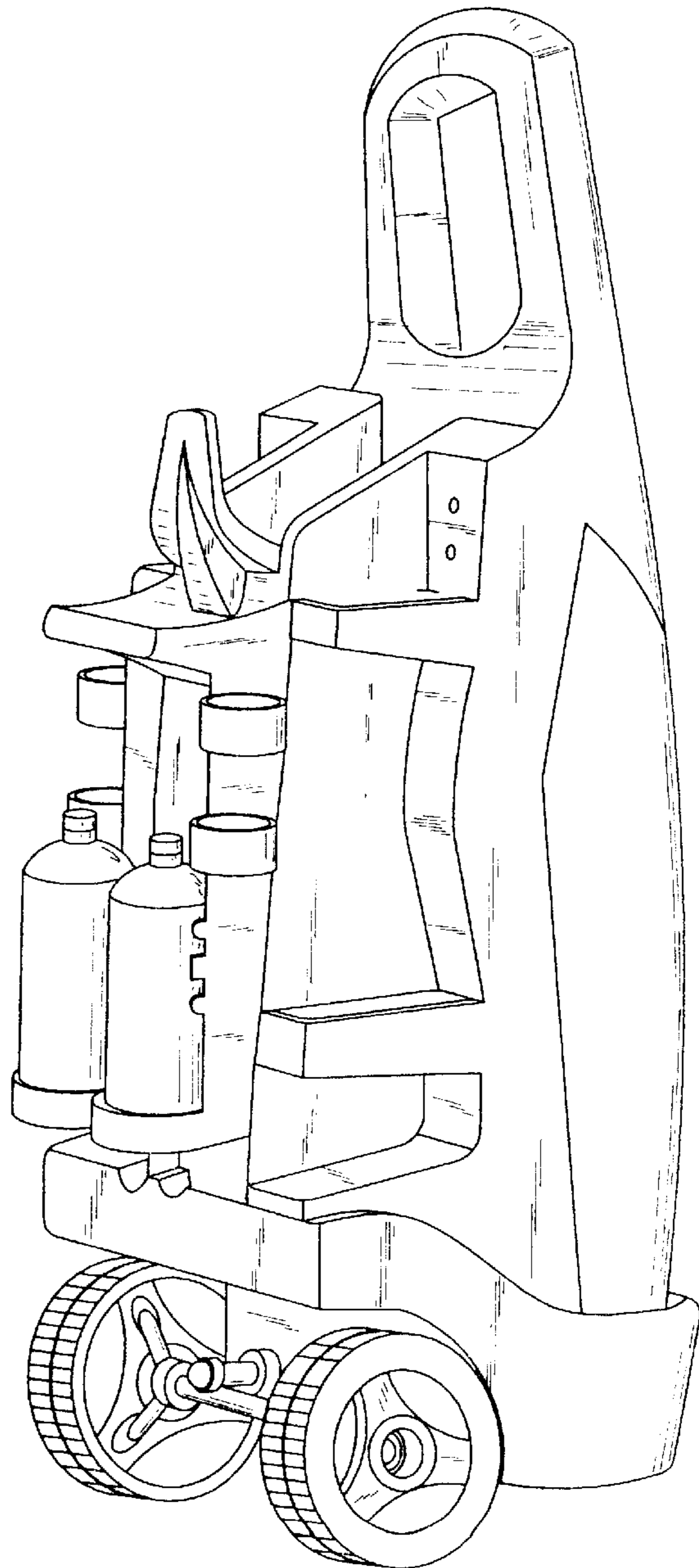


Fig.2

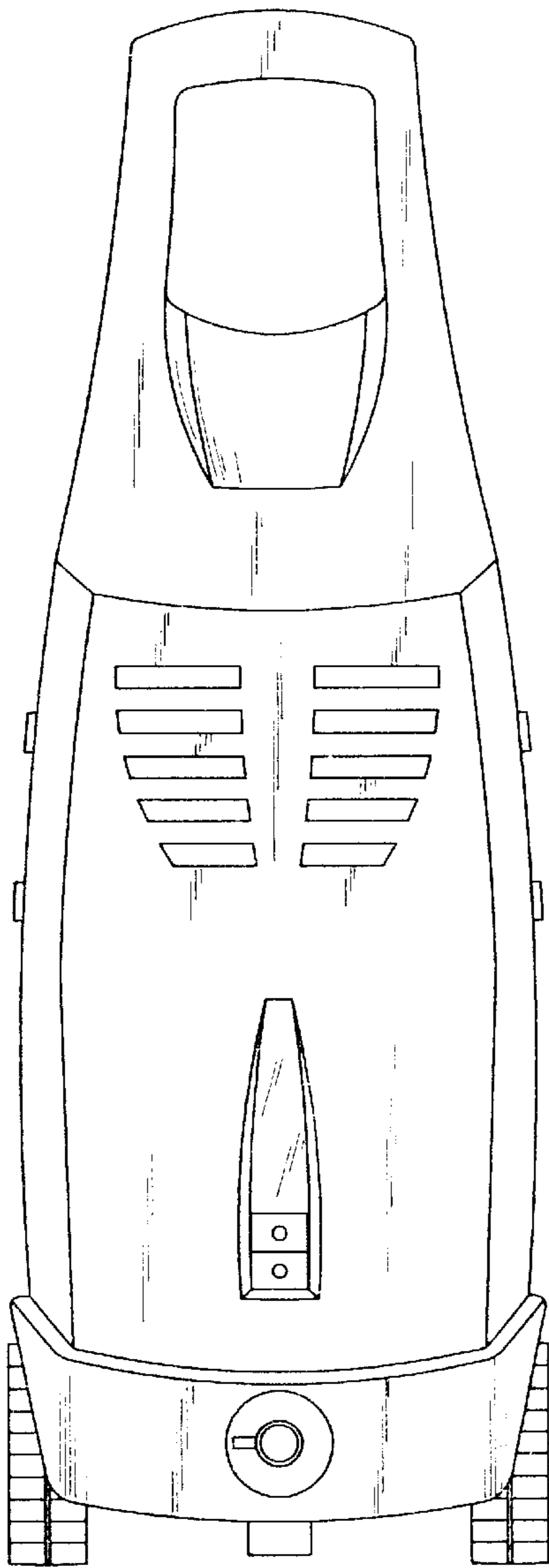


Fig.3

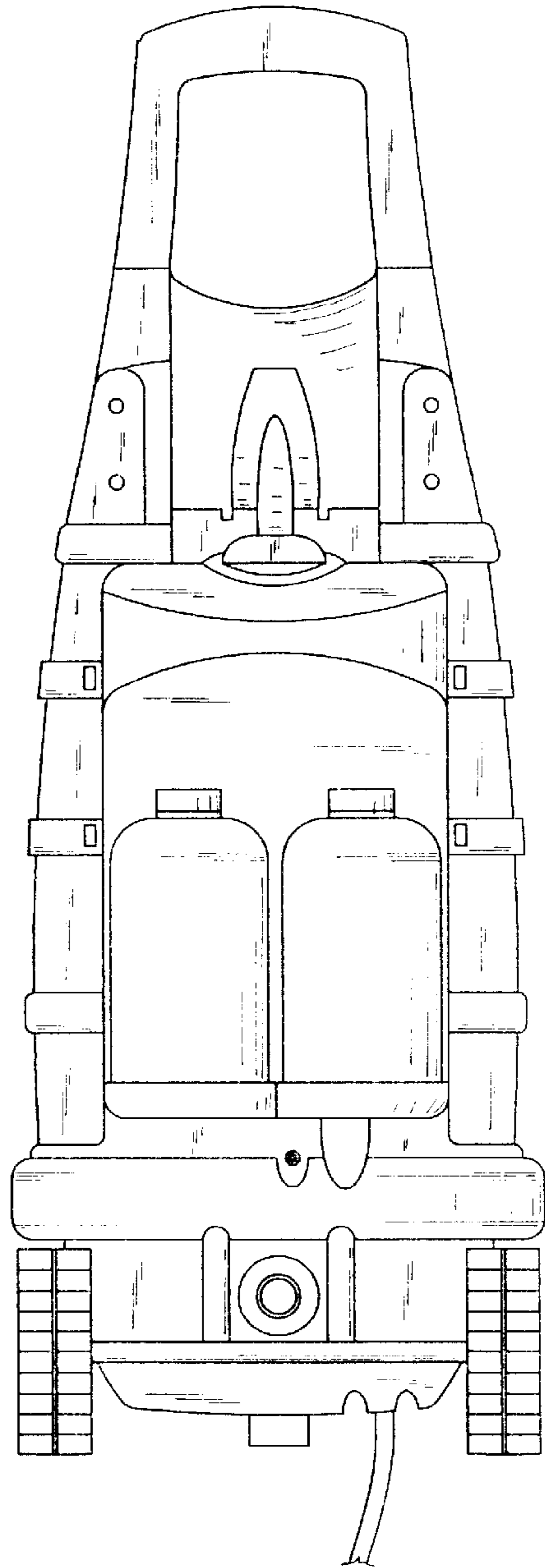


Fig.4

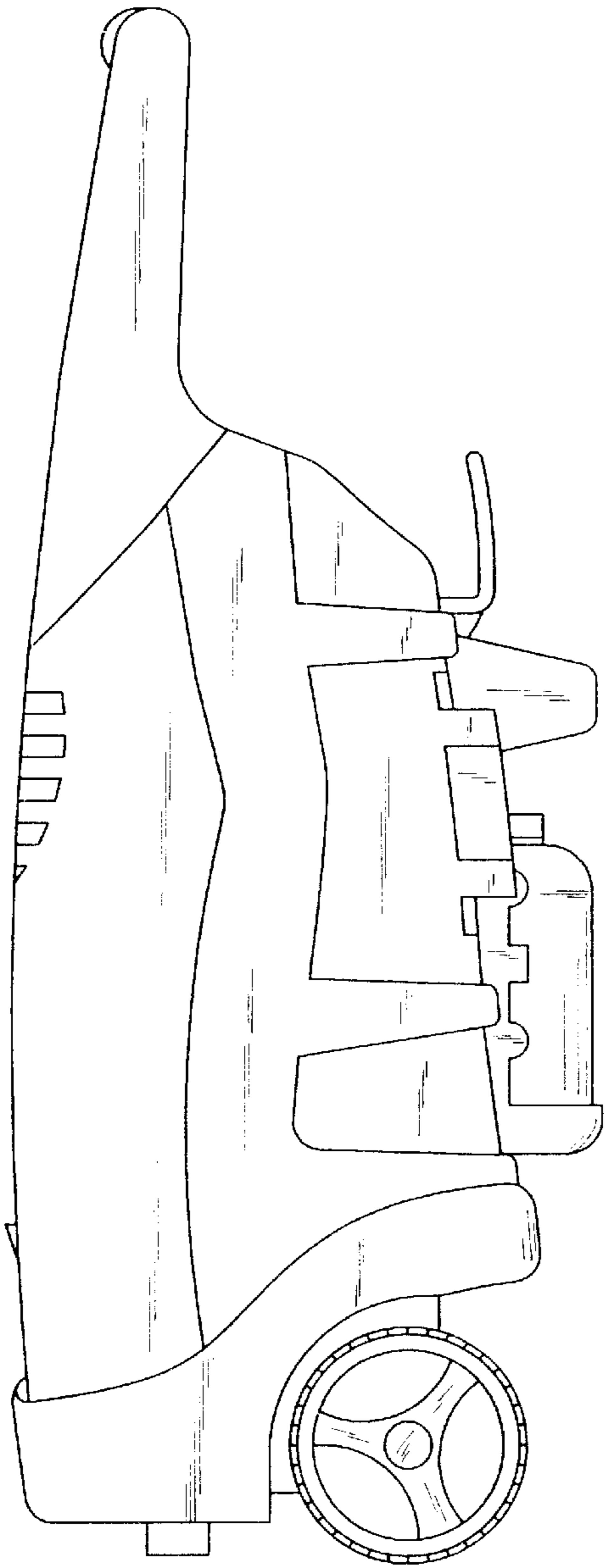


Fig.5

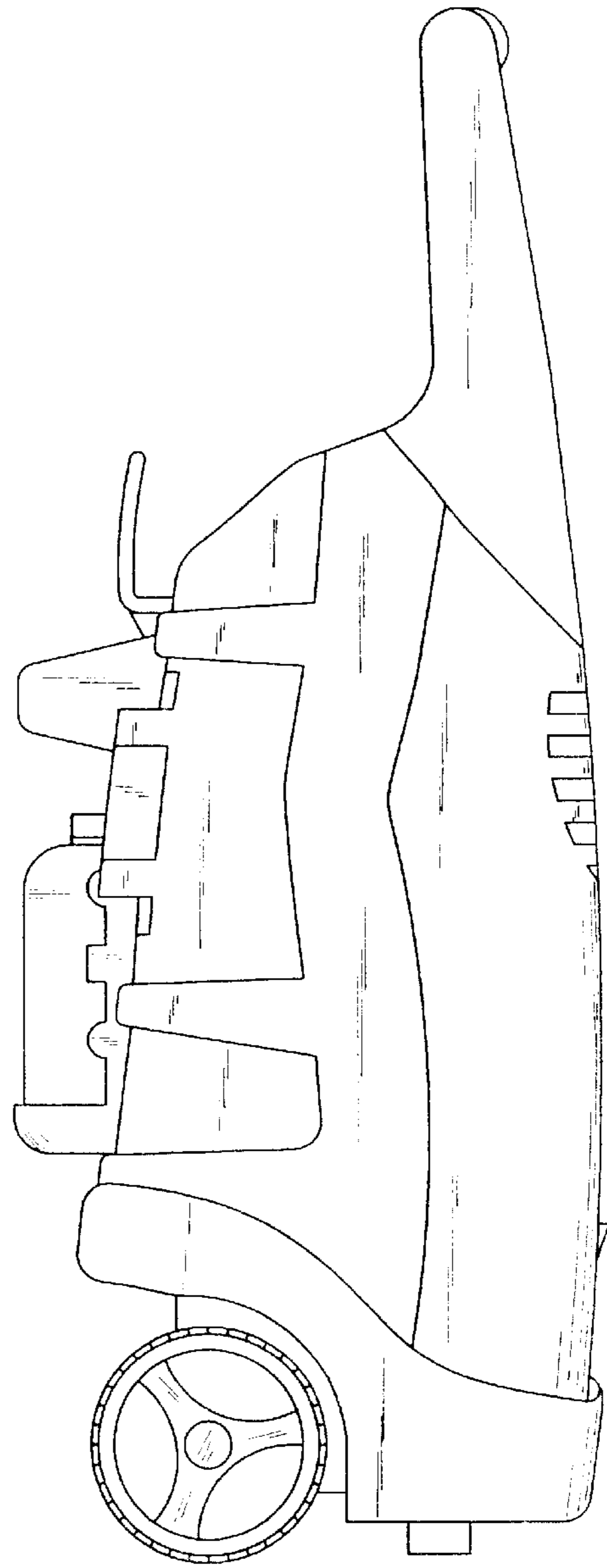


Fig.6

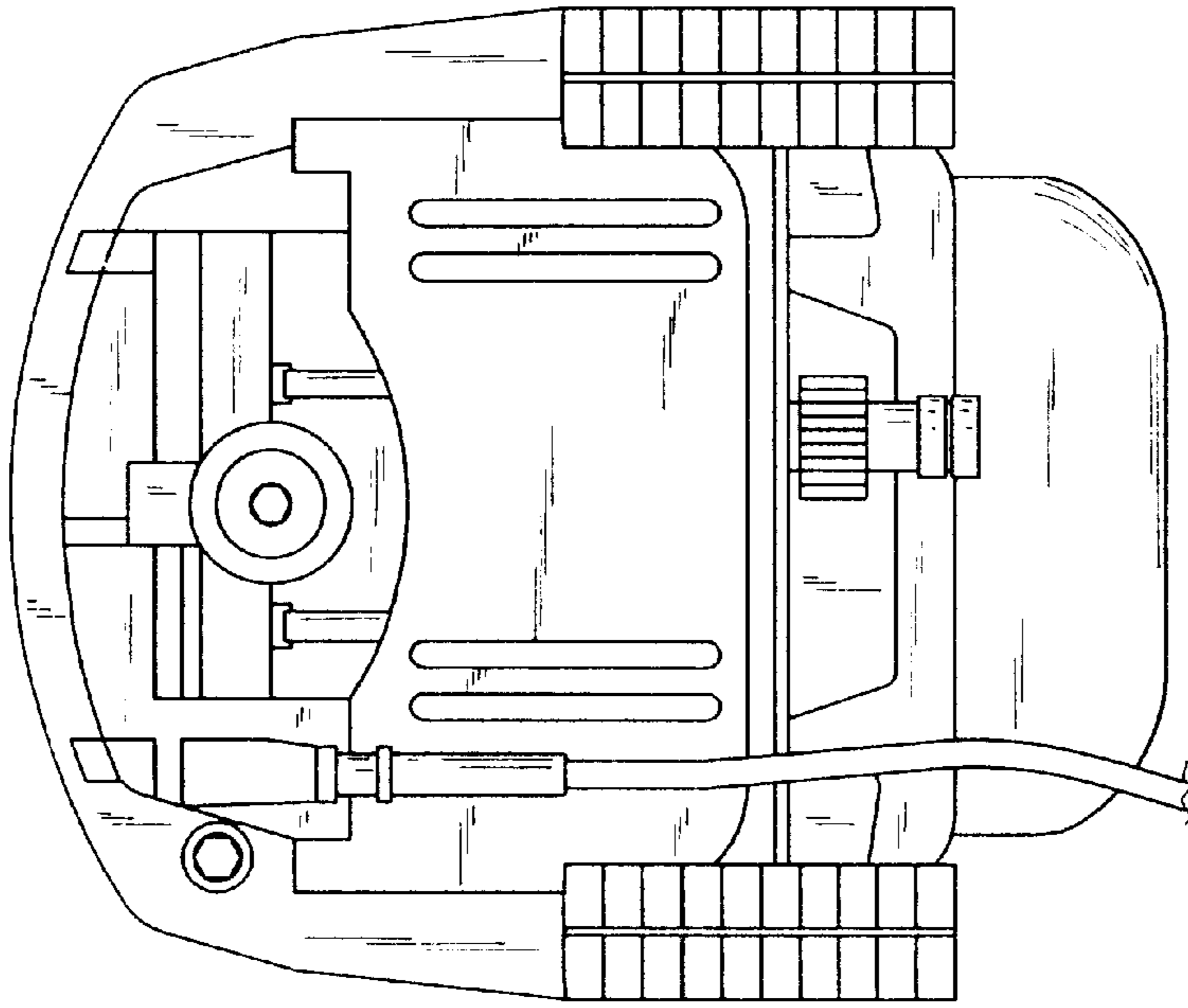


Fig.8

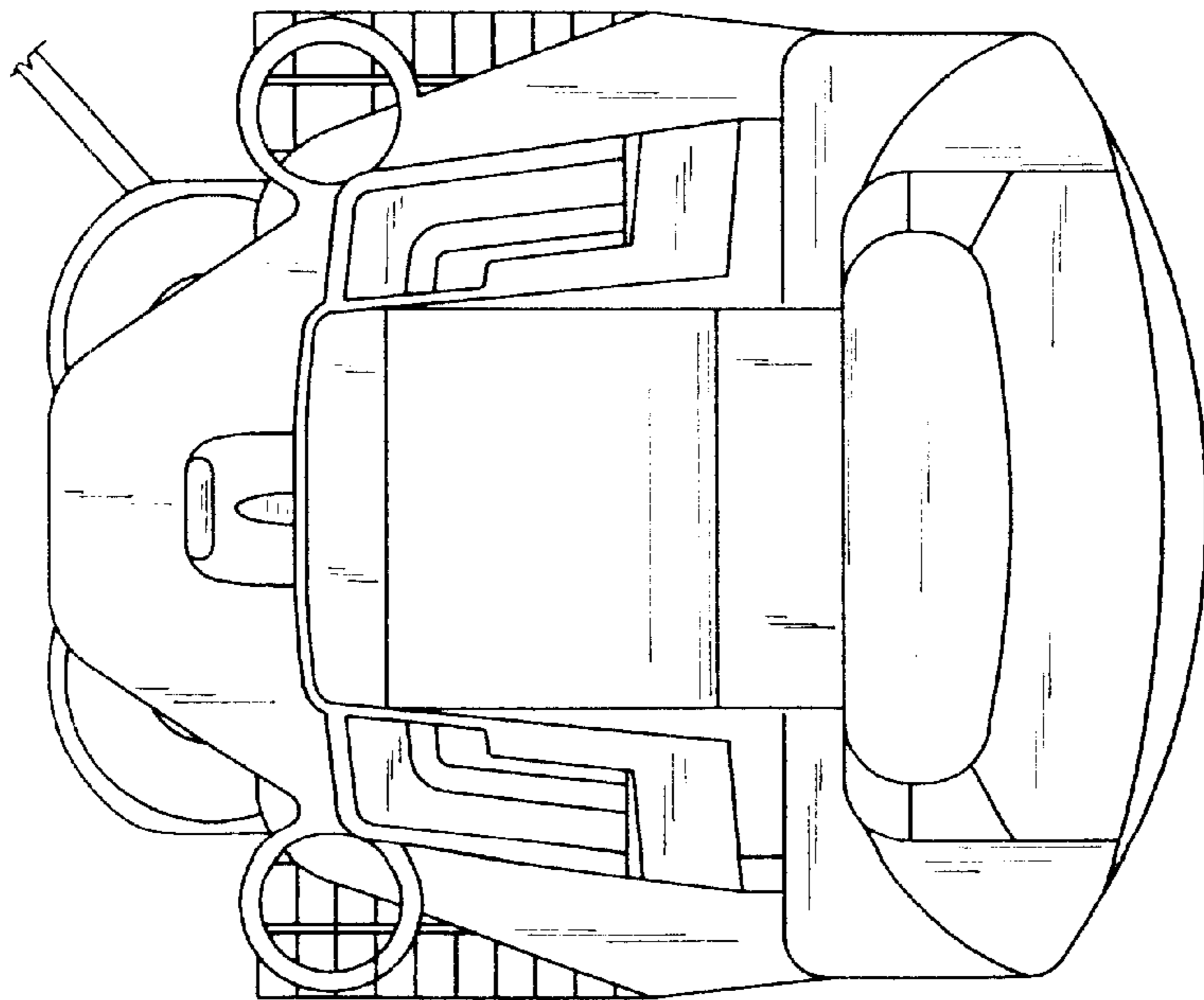


Fig.7