



US00D489495S

(12) **United States Design Patent**
Franzino

(10) **Patent No.:** **US D489,495 S**

(45) **Date of Patent:** **** May 4, 2004**

(54) **TUBE CLEANING MACHINE**

(75) **Inventor:** **Joseph J Franzino**, Redding, CT (US)

(73) **Assignee:** **Goodway Technologies Corporation**,
Stamford, CT (US)

(**) **Term:** **14 Years**

(21) **Appl. No.:** **29/171,024**

(22) **Filed:** **Nov. 15, 2002**

(51) **LOC (7) Cl.** **15-05**

(52) **U.S. Cl.** **D32/1**

(58) **Field of Search** D32/1, 25; 15/1,
15/104.001, 104.03, 104.04, 104.05, 104.09,
246, 246.5; D34/5; 417/234; 239/146

(56) **References Cited**

U.S. PATENT DOCUMENTS

D115,185 S	*	6/1939	Clarkson	D32/1
5,213,480 A	*	5/1993	Yedinak et al.	417/234
D340,786 S	*	10/1993	Jones	D32/1 X
6,070,808 A	*	6/2000	Kildow	239/146
6,279,838 B1	*	8/2001	Sivells et al.	239/146
D463,888 S	*	10/2002	Rehkugler et al.	D32/1 X

* cited by examiner

Primary Examiner—Louis S. Zarfaz
Assistant Examiner—Robert A Delehanty
(74) *Attorney, Agent, or Firm*—Patrick J. Walsh

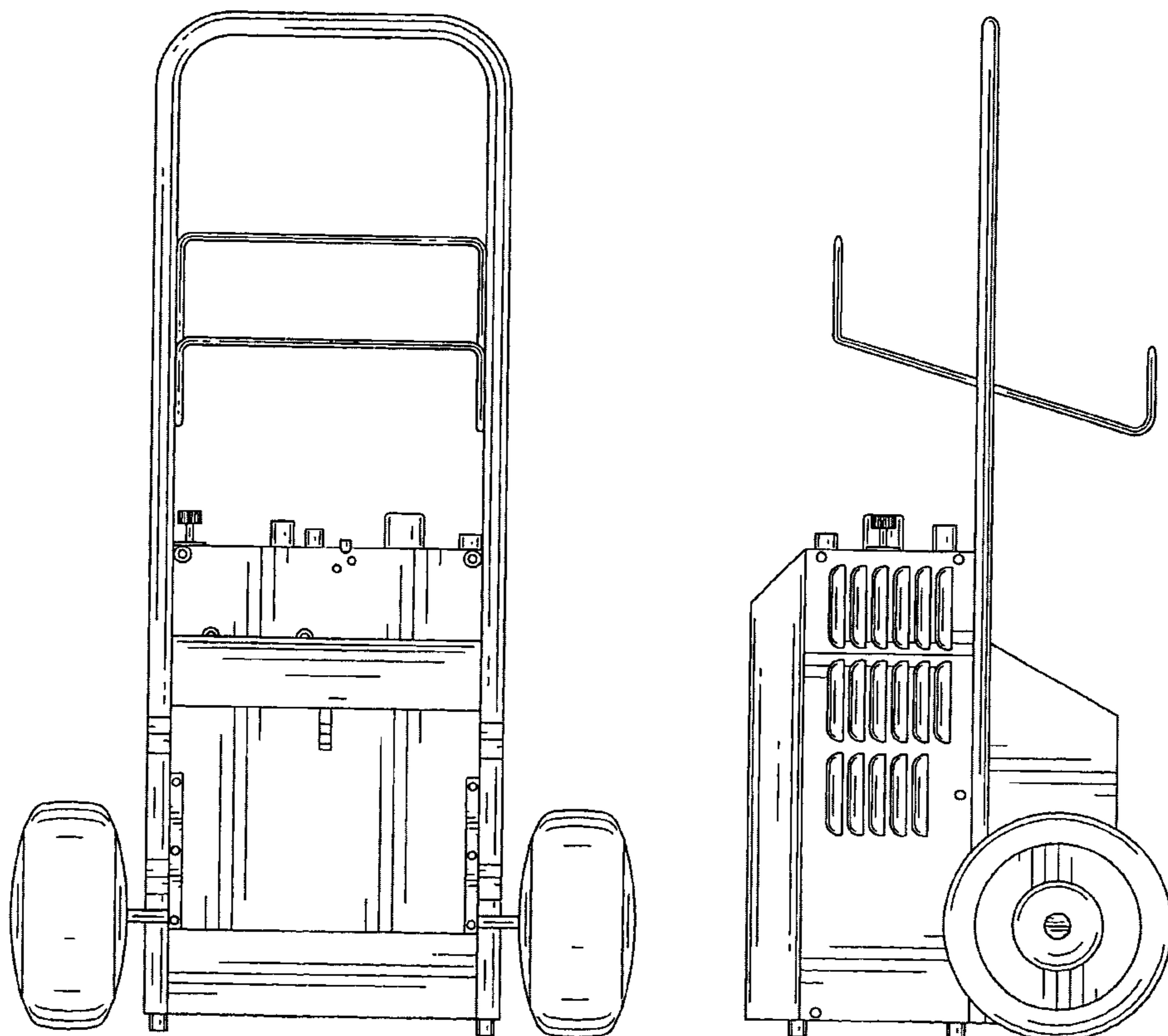
(57) **CLAIM**

The ornamental design for a tube cleaning machine, substantially as shown and described.

DESCRIPTION

FIG. 1 is a front elevation of a tube cleaning machine, showing my new design;
FIG. 2 is a rear elevation view thereof;
FIG. 3 is a right side elevation view thereof;
FIG. 4 is a left side elevation view thereof;
FIG. 5 is a top view thereof;
FIG. 6 is a bottom view thereof; and
FIG. 7 is a right side elevation of a modified embodiment of my new design having a greater top panel curvature and in all other respects identical to the embodiment of FIGS. 1–6;
FIG. 8 is a left side elevation view of the modified embodiment of FIG. 7.
FIG. 9 is a top view of the modified embodiment of FIG. 7; and,
FIG. 10 is a bottom view of the modified embodiment of FIG. 7.

1 Claim, 6 Drawing Sheets



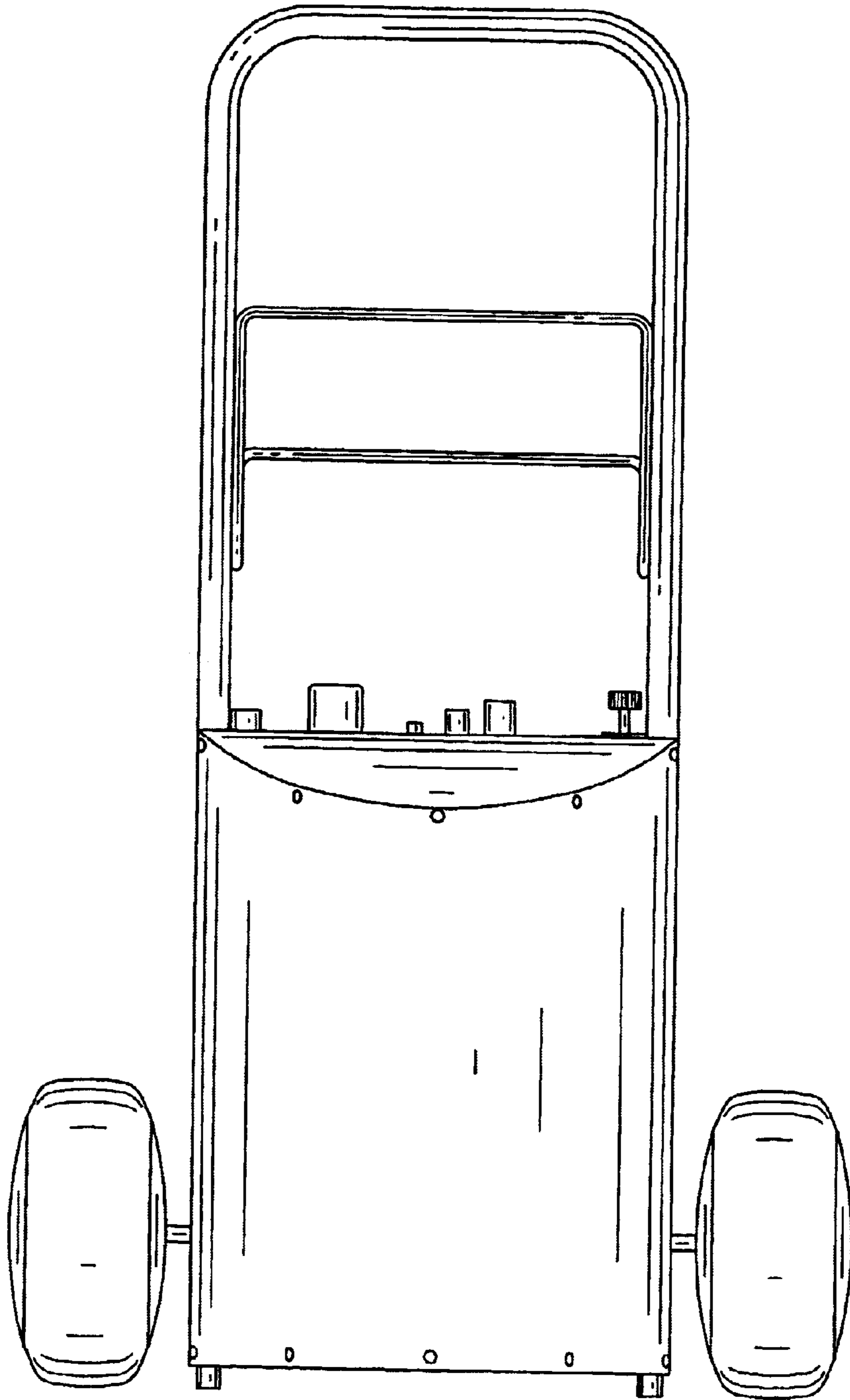


FIG. 1

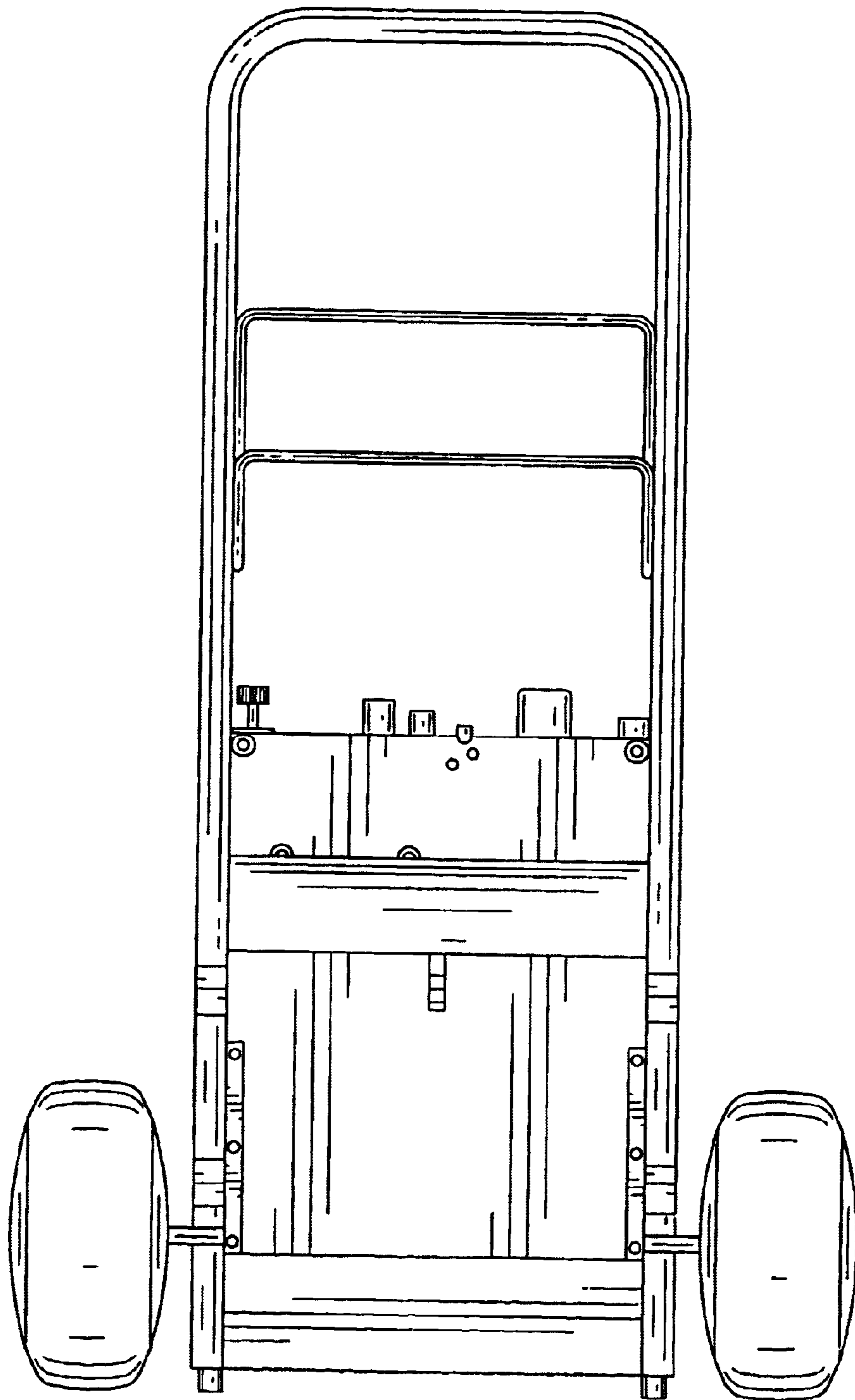


FIG. 2

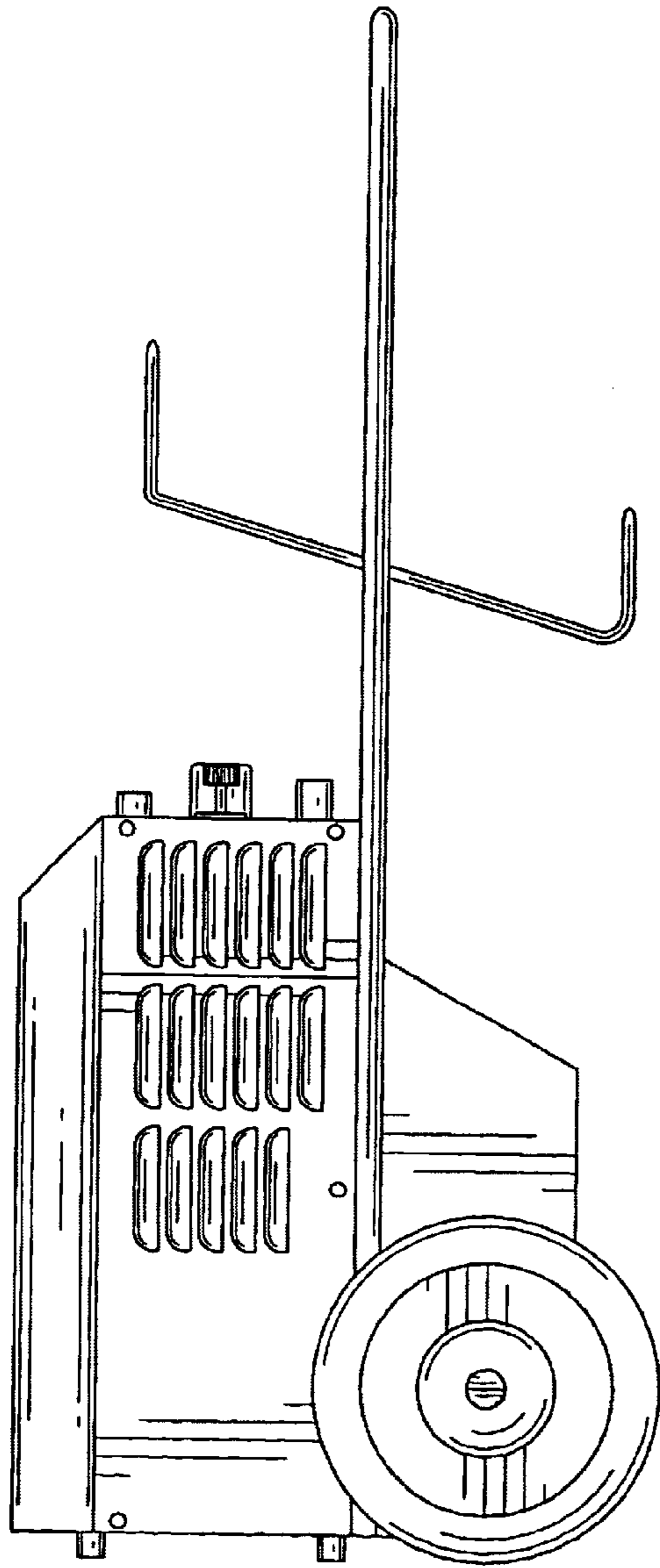


FIG. 3

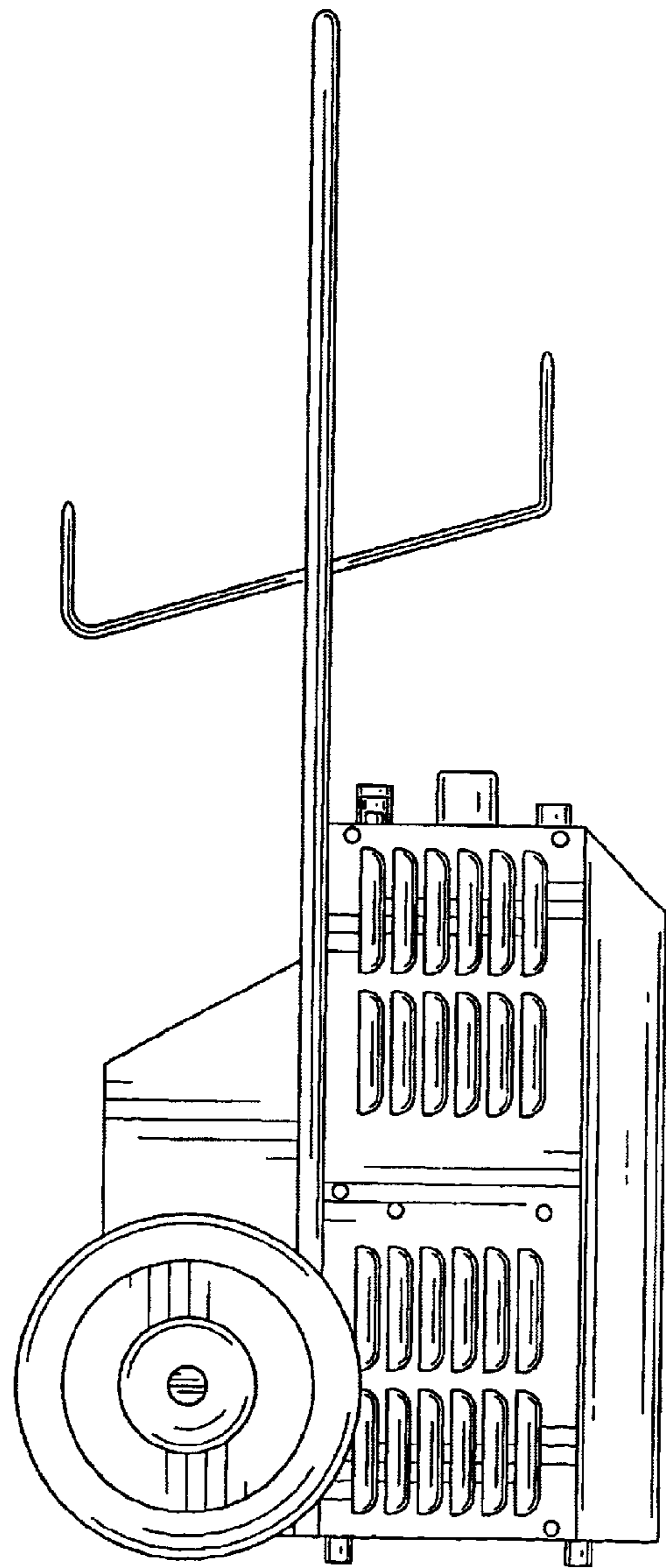


FIG. 4

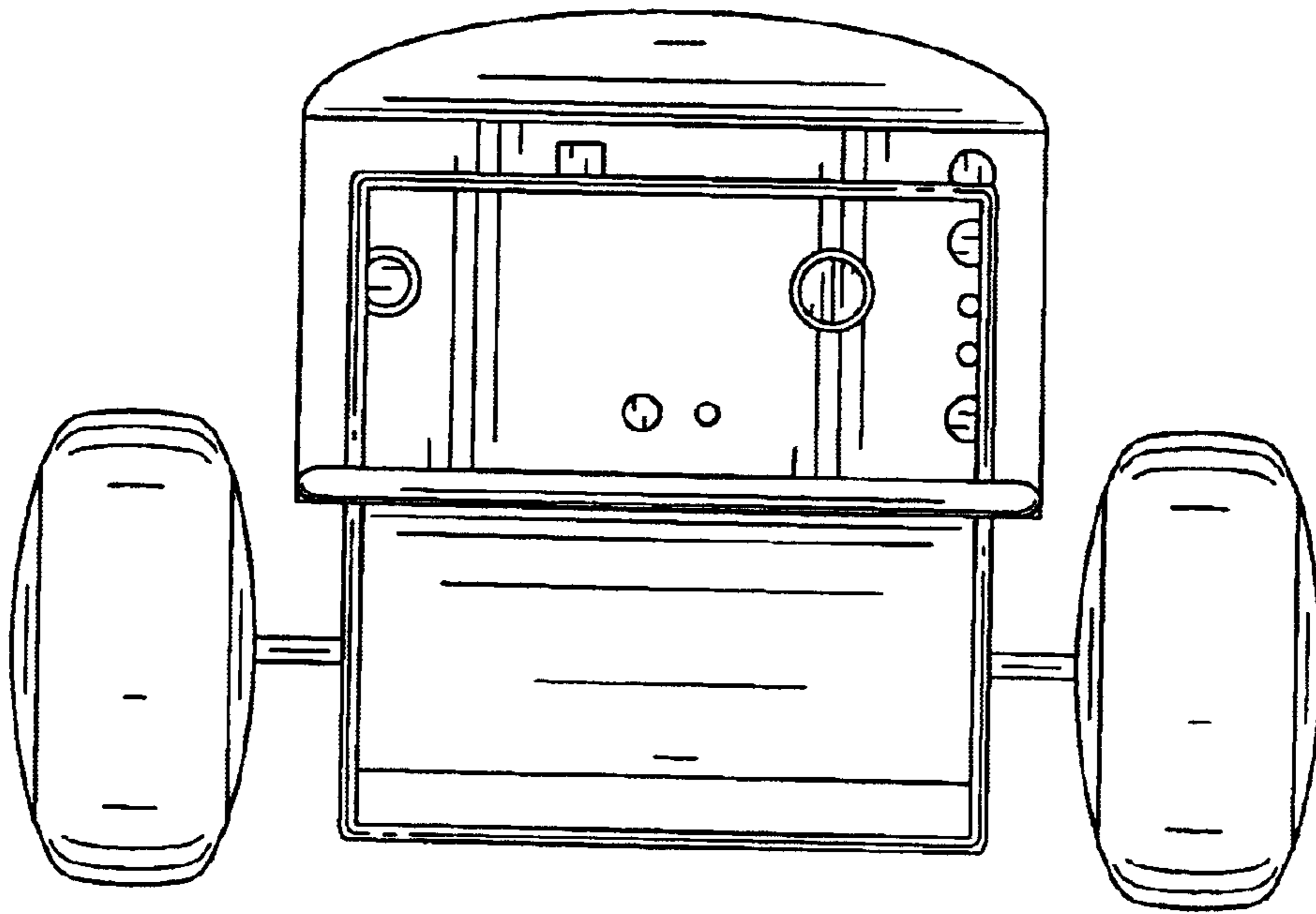


FIG. 5

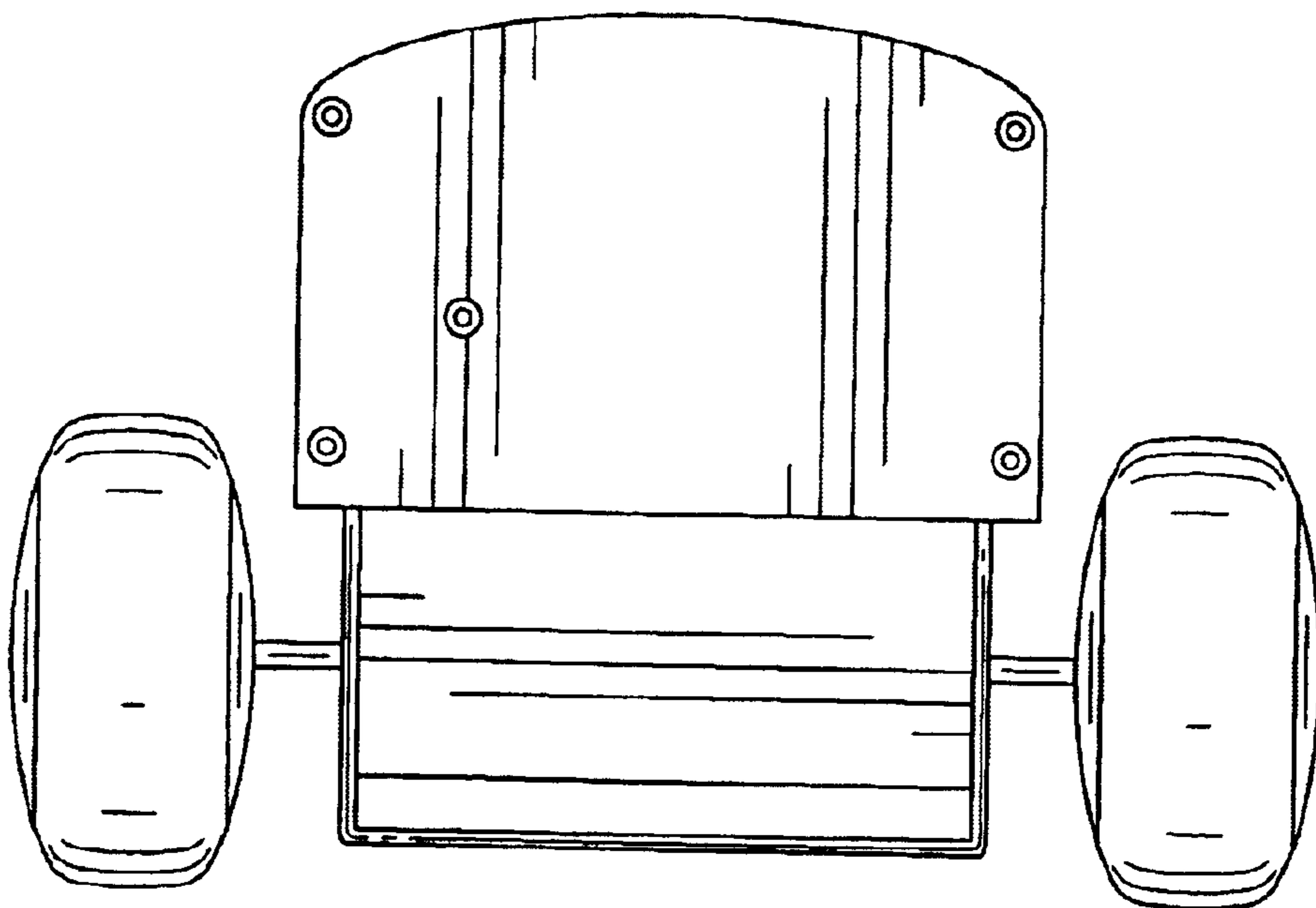


FIG. 6

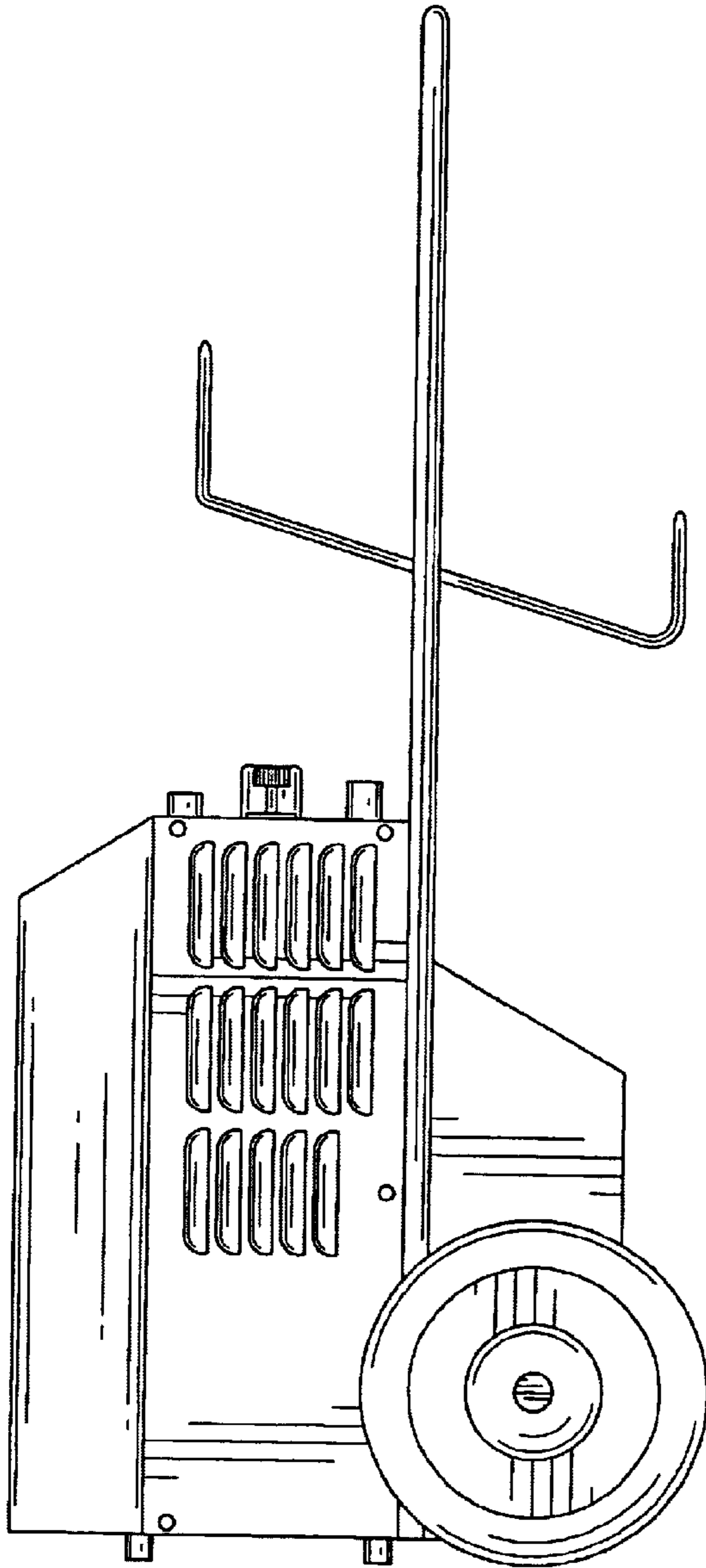


FIG. 7

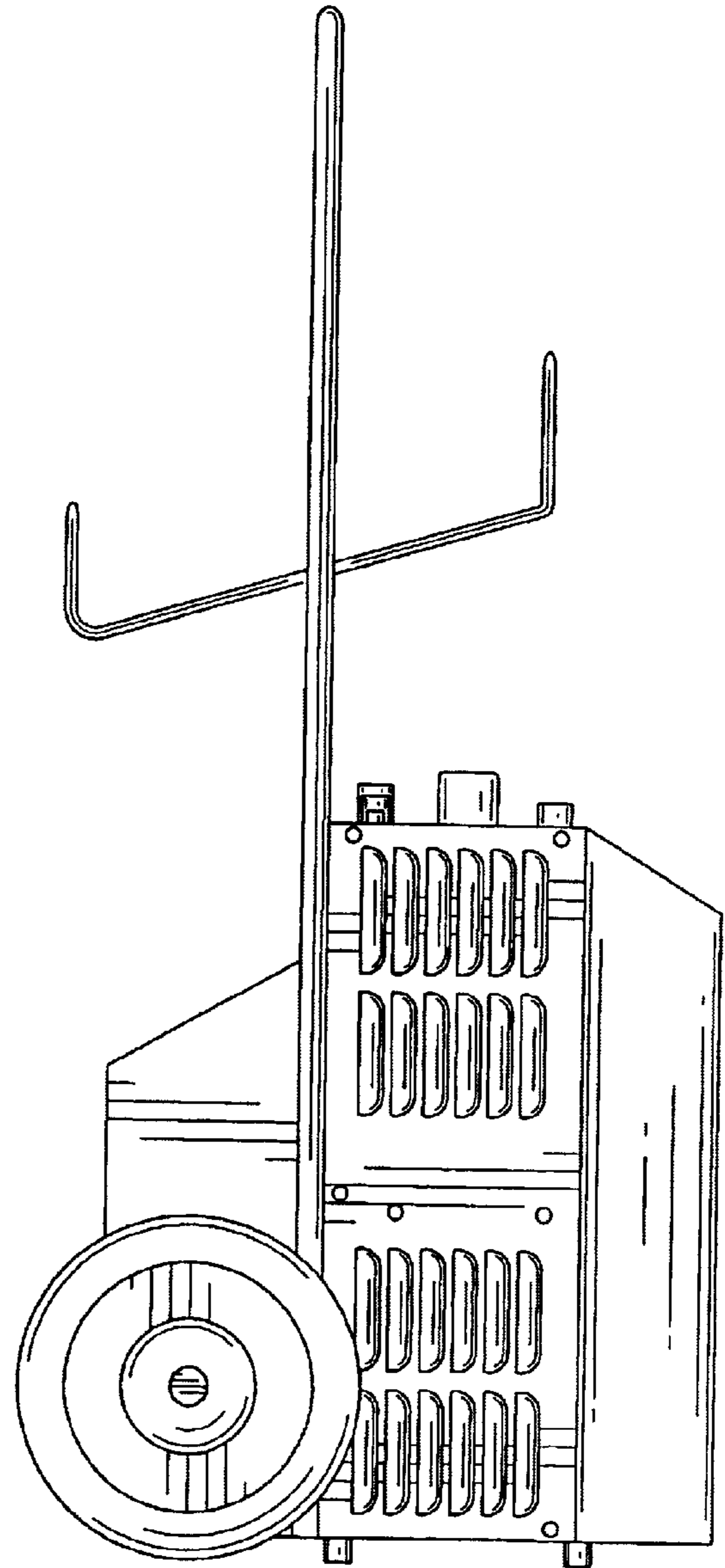


FIG. 8

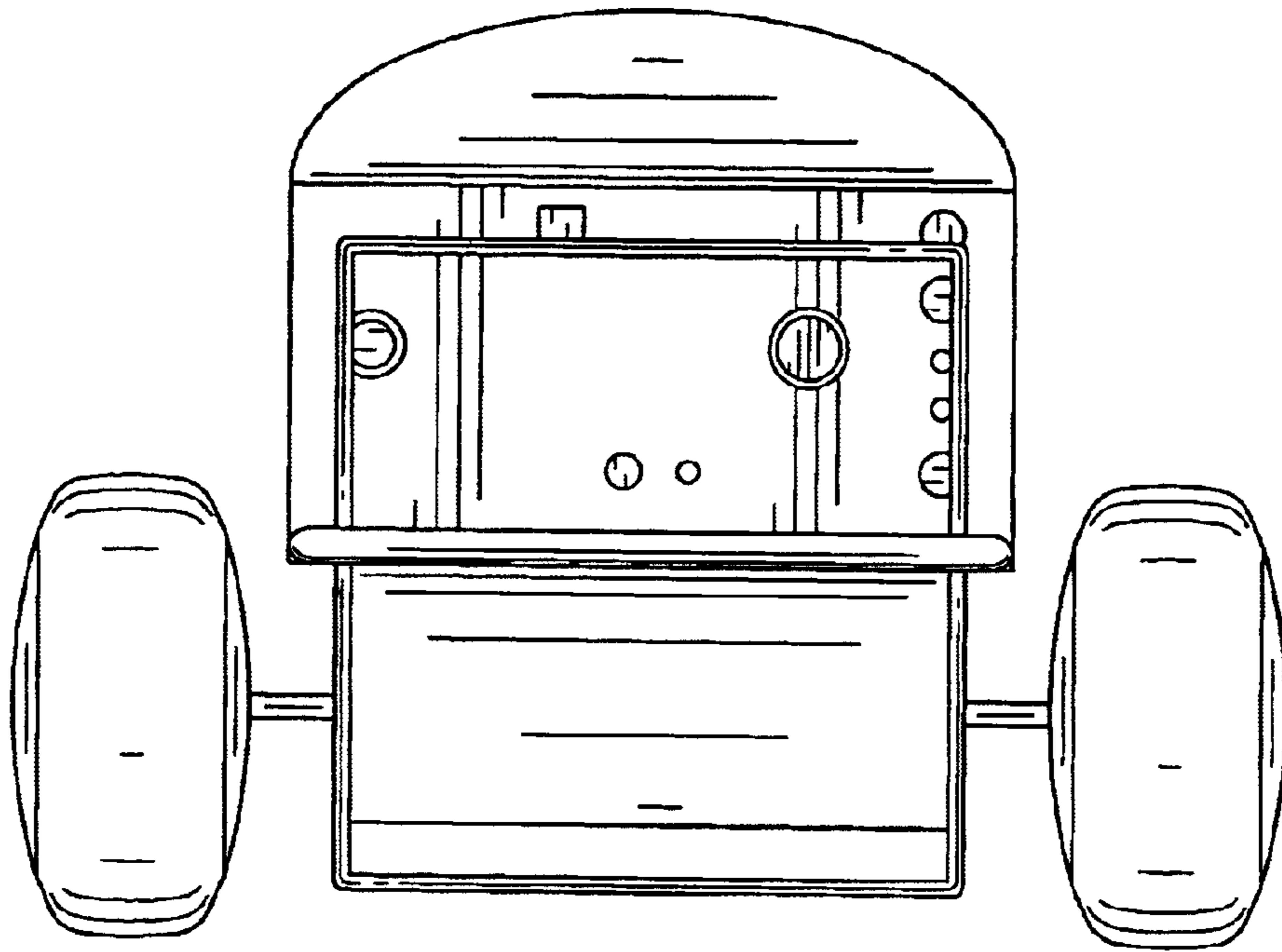


FIG. 9

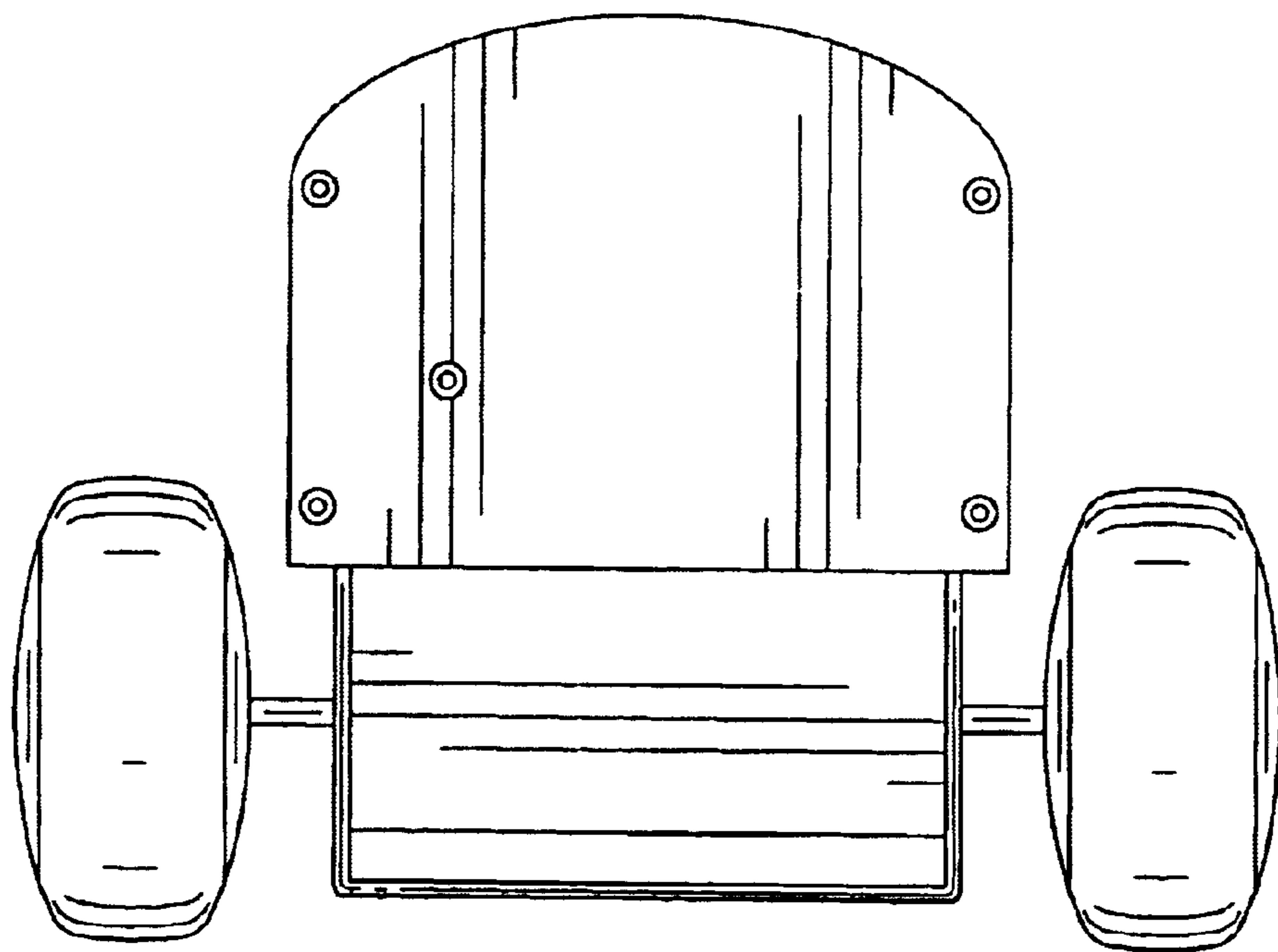


FIG. 10