



US00D489490S

(12) **United States Design Patent**
Chodorow

(10) **Patent No.:** **US D489,490 S**

(45) **Date of Patent:** **** May 4, 2004**

(54) **DENTAL FLOSSER/TONGUE SCRAPER COMBINATION**

(75) Inventor: **Ingram S. Chodorow**, San Diego, CA (US)

(73) Assignee: **Placontrol, Inc.**, San Diego, CA (US)

(**) Term: **14 Years**

(21) Appl. No.: **29/158,729**

(22) Filed: **Apr. 8, 2002**

(51) **LOC (7) Cl.** **28-03**

(52) **U.S. Cl.** **D28/68**

(58) **Field of Search** D28/66, 68, 65;
132/321, 323-329; D24/152, 154, 176,
133, 146, 147; 433/141-144

(56) **References Cited**

U.S. PATENT DOCUMENTS

2,187,899	A	*	1/1940	Henne	132/323
4,192,330	A	*	3/1980	Johnson	132/323
4,592,729	A	*	6/1986	Bilciurescu	433/142
D301,071	S	*	5/1989	Franchi	D28/65
5,246,021	A	*	9/1993	Katz	132/323
D352,801	S	*	11/1994	Chung	D28/68
D376,426	S	*	12/1996	Tarfare et al.	D24/152
D398,076	S	*	9/1998	Hafkin	D28/65
6,273,719	B1	*	8/2001	Whitman	433/141

* cited by examiner

Primary Examiner—Lucy Lieberman
(74) *Attorney, Agent, or Firm*—Amster, Rothstein & Ebenstein

(57) **CLAIM**

The ornamental design for a dental flosser/tongue scraper combination, as shown and described.

DESCRIPTION

FIG. 1 is a top, rear and right side perspective view of a first embodiment of a dental flosser/tongue scraper combination showing my new design;

FIG. 2 is a front, bottom, and left side perspective view thereof;

FIG. 3. is a top plan view thereof;

FIG. 4. is a left side view thereof;

FIG. 5 is a front view partially broken away taken along the lines 5—5 of FIG. 4;

FIG. 6 is a top, rear and right side perspective view of a second embodiment of a dental flosser/tongue scraper combination showing my new design;

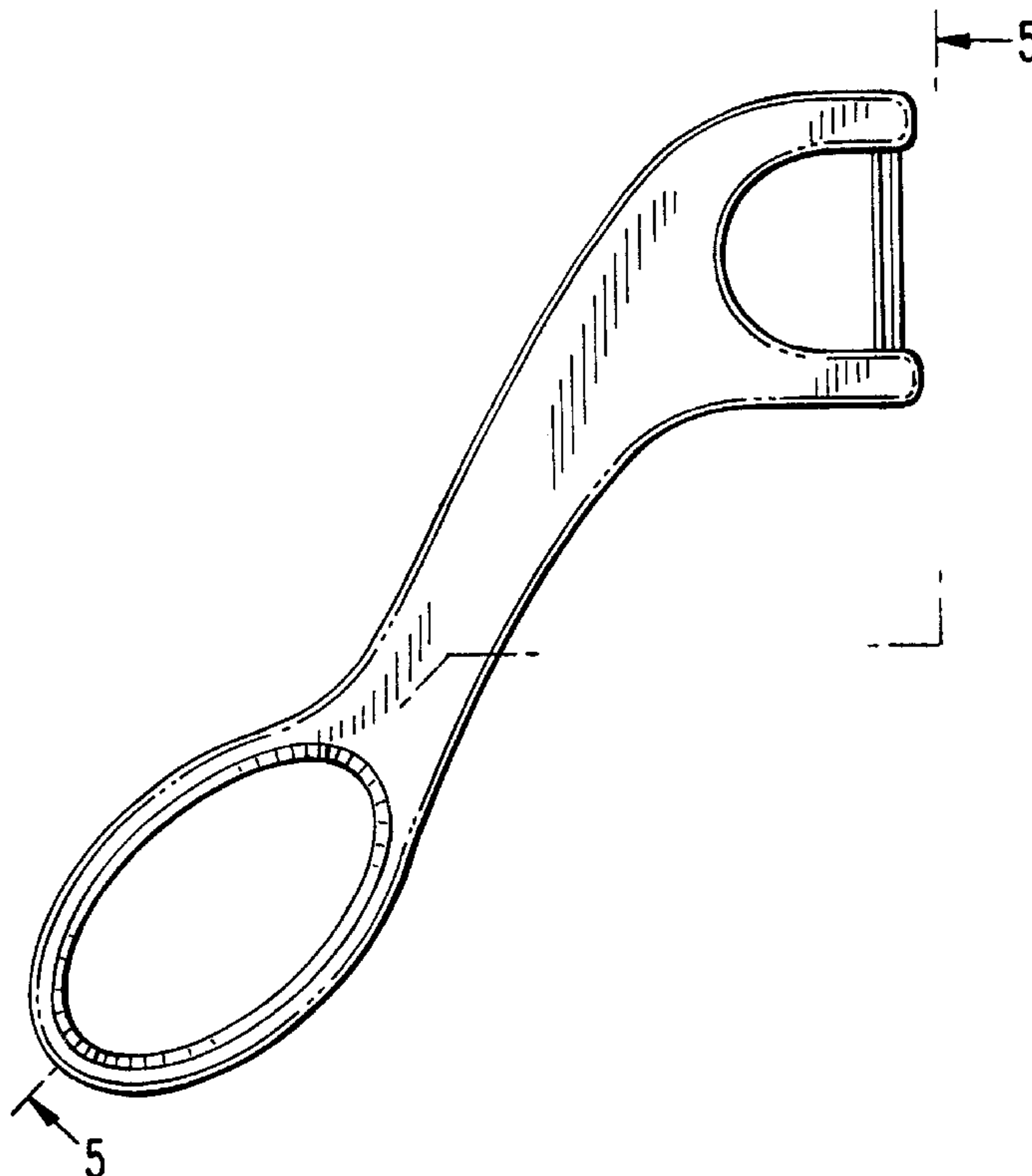
FIG. 7 is a front, bottom and left side perspective view thereof;

FIG. 8. is a top plan view thereof;

FIG. 9. is a left side view thereof; and,

FIG. 10 is a front view partially broken away taken along the lines 10—10 of FIG. 9.

1 Claim, 4 Drawing Sheets



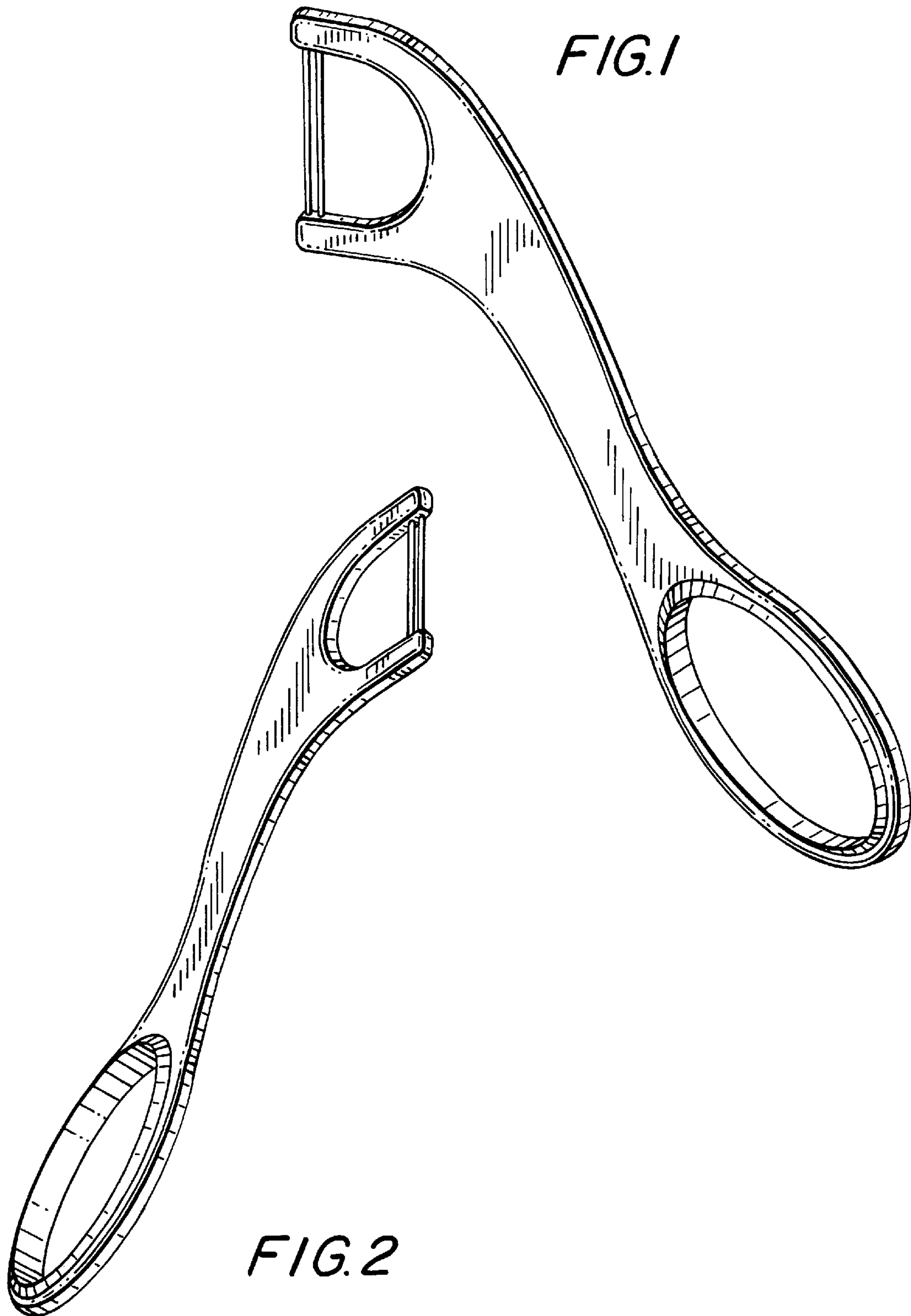


FIG. 3

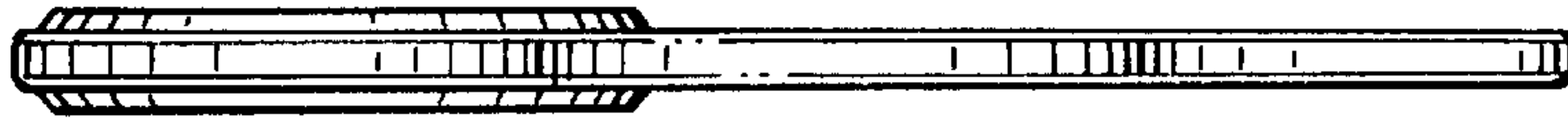


FIG. 4

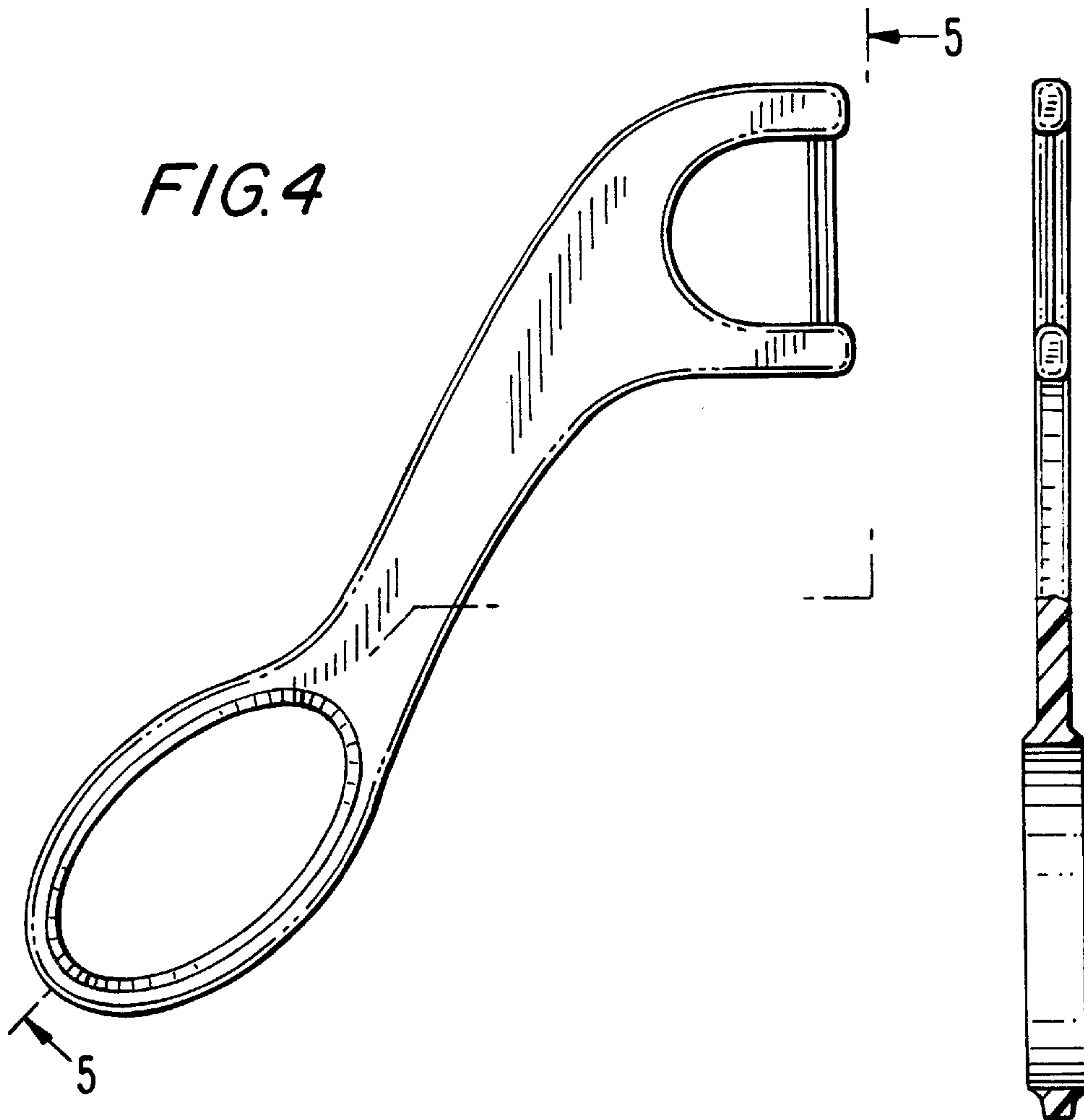


FIG. 5



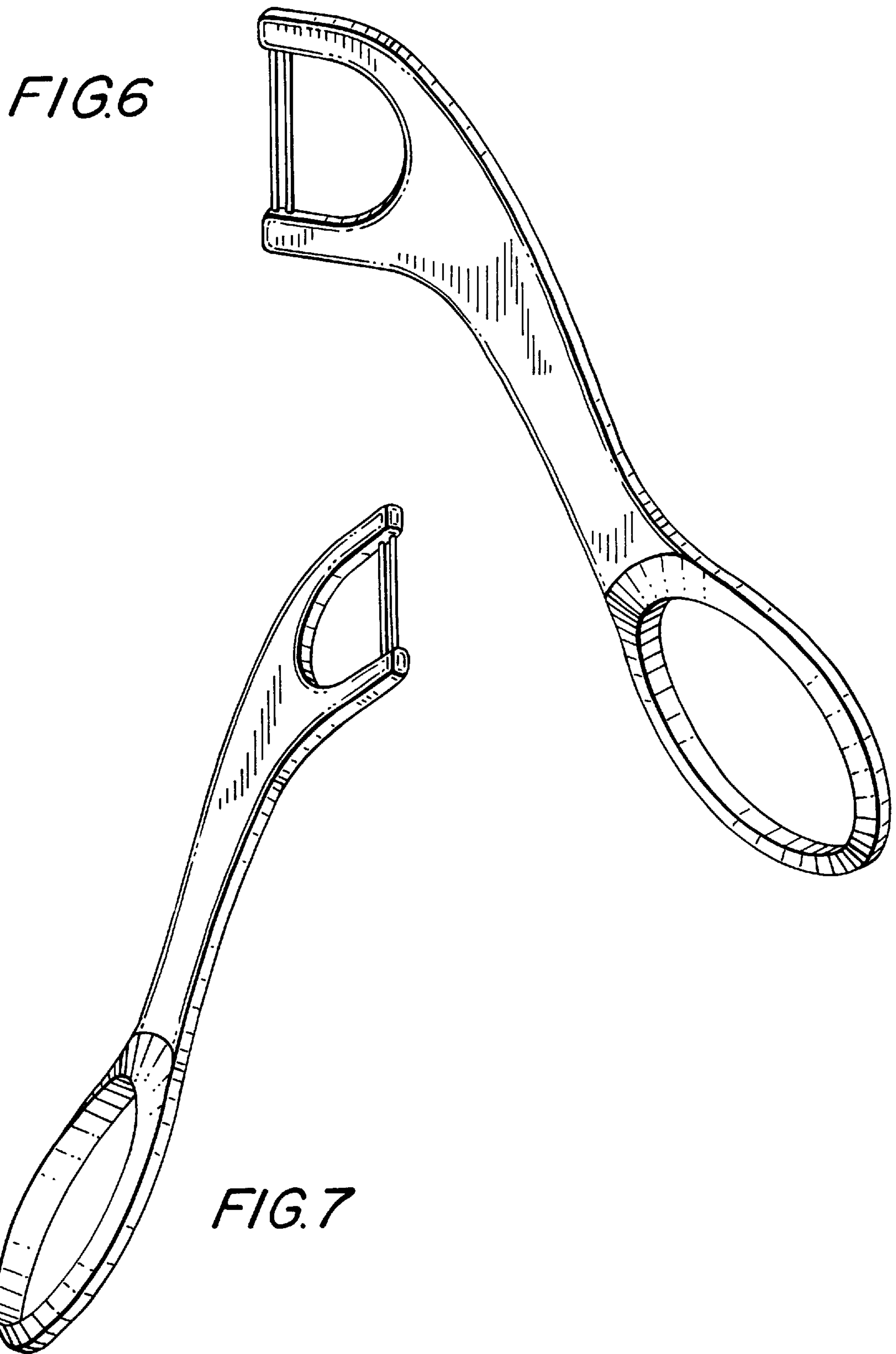


FIG. 8

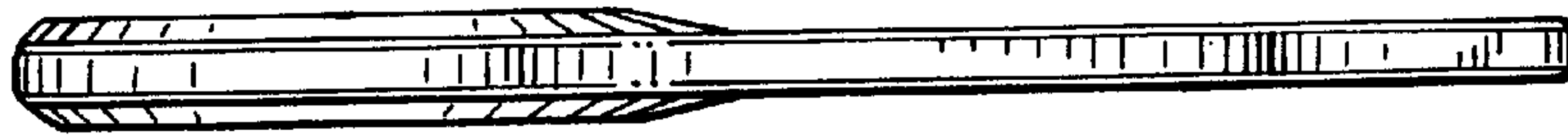


FIG. 9

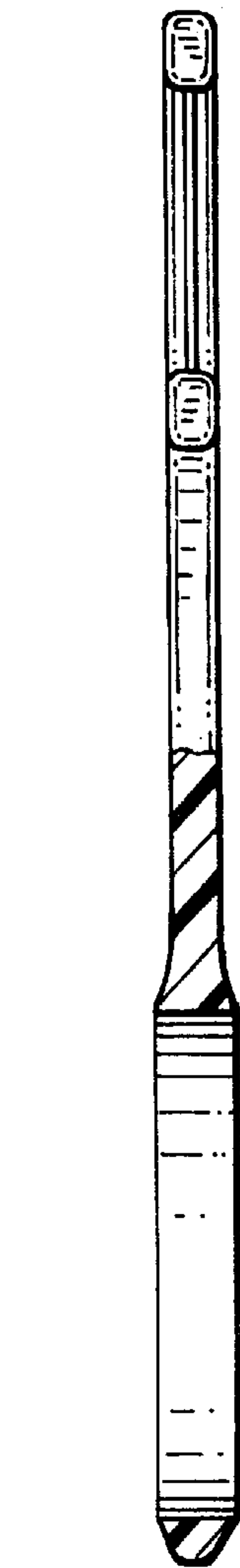
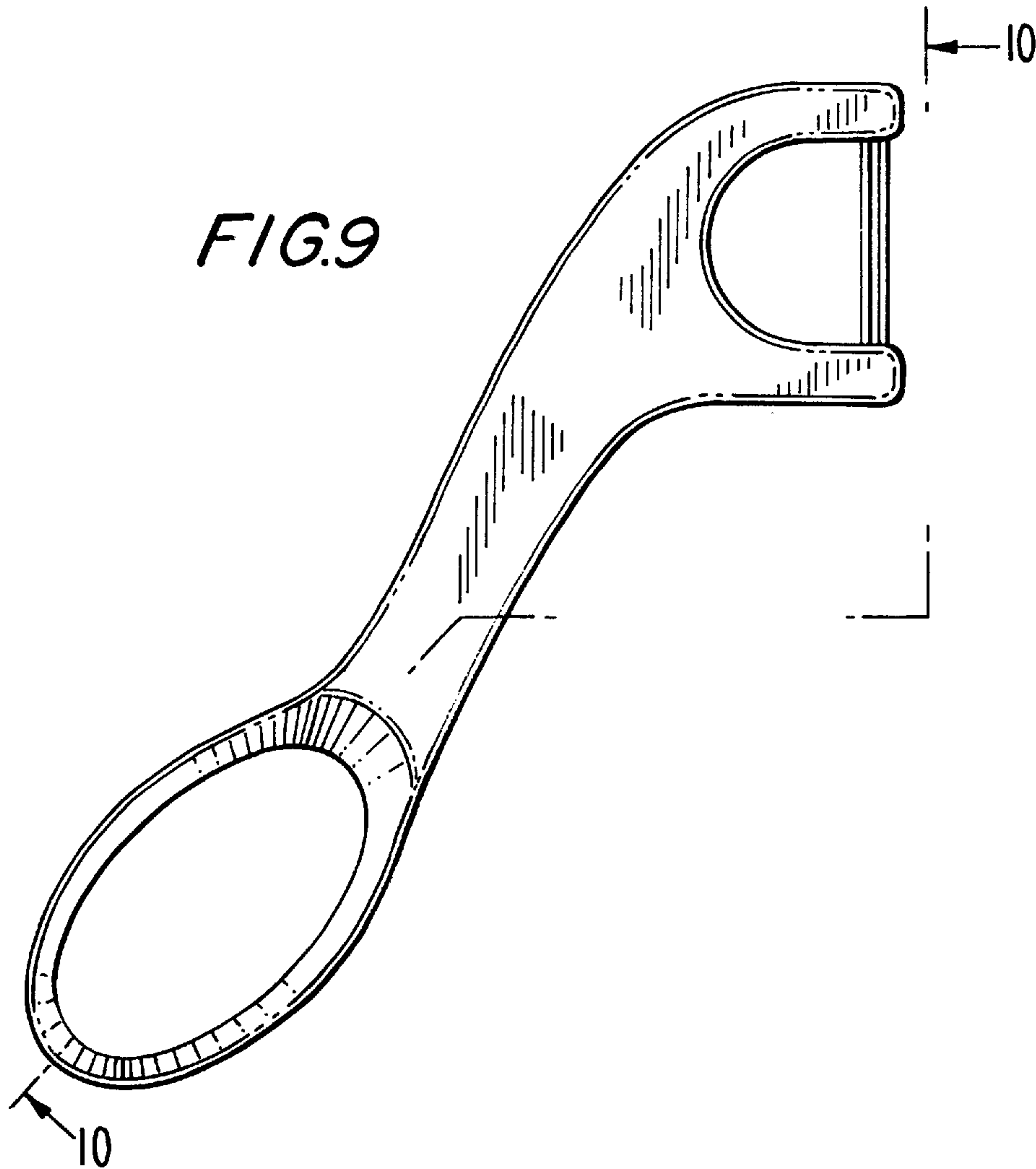


FIG. 10