



US00D489489S

(12) **United States Design Patent**  
**Khalaj**

(10) **Patent No.:** **US D489,489 S**

(45) **Date of Patent:** **\*\* May 4, 2004**

(54) **NAIL DRYER**

(76) Inventor: **Ben M. Khalaj**, 4 Autry, Irvine, CA  
(US) 92618

(\*\*) Term: **14 Years**

(21) Appl. No.: **29/168,861**

(22) Filed: **Oct. 9, 2002**

(51) **LOC (7) Cl.** ..... **28-03**

(52) **U.S. Cl.** ..... **D28/54.1**

(58) **Field of Search** ..... D28/54.1, 58;  
34/202, 201, 231; 392/380

(56) **References Cited**

**U.S. PATENT DOCUMENTS**

2,490,019	A	*	12/1949	Elliot	.....	34/202
2,734,282	A	*	2/1956	Nemeth	.....	34/202
3,930,320	A	*	1/1976	Henderson	.....	34/202
D277,323	S	*	1/1985	Raicevic	.....	D28/58
D279,412	S	*	6/1985	Fung	.....	D28/58

4,754,769 A \* 7/1988 Flynn ..... 132/73.5

D299,559 S \* 1/1989 Wong ..... D28/58

D451,247 S \* 11/2001 Khalaj ..... D28/54.1

\* cited by examiner

*Primary Examiner*—Lucy Lieberman

(57) **CLAIM**

The ornamental design for a nail dryer, as shown & described.

**DESCRIPTION**

FIG. 1 is a top perspective view of a nail dryer showing my new design;

FIG. 2 is a top plan view thereof;

FIG. 3 is a right side elevation thereof;

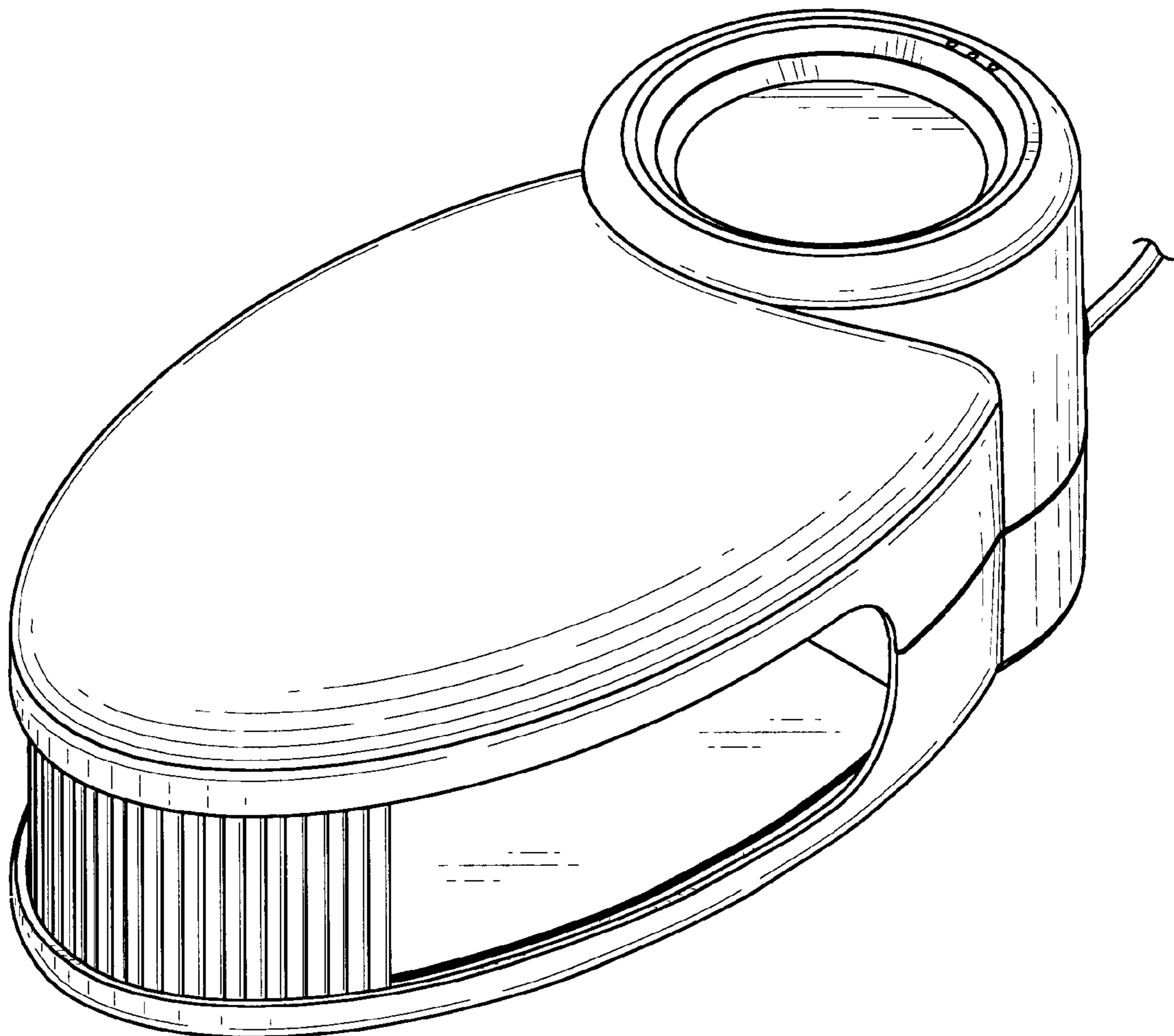
FIG. 4 is a bottom plan view thereof;

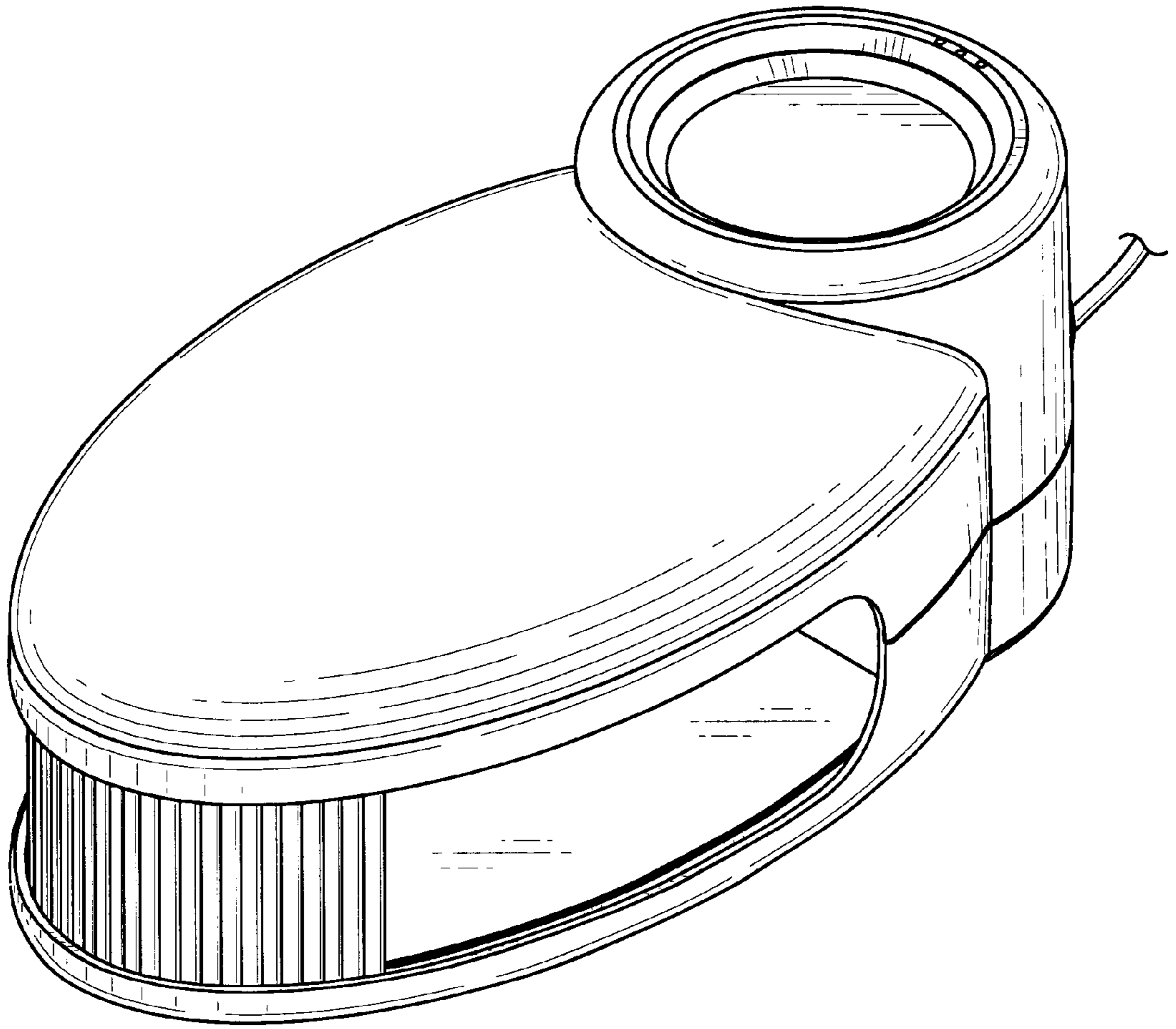
FIG. 5 is a left side elevation thereof;

FIG. 6 is a front elevation thereof; and,

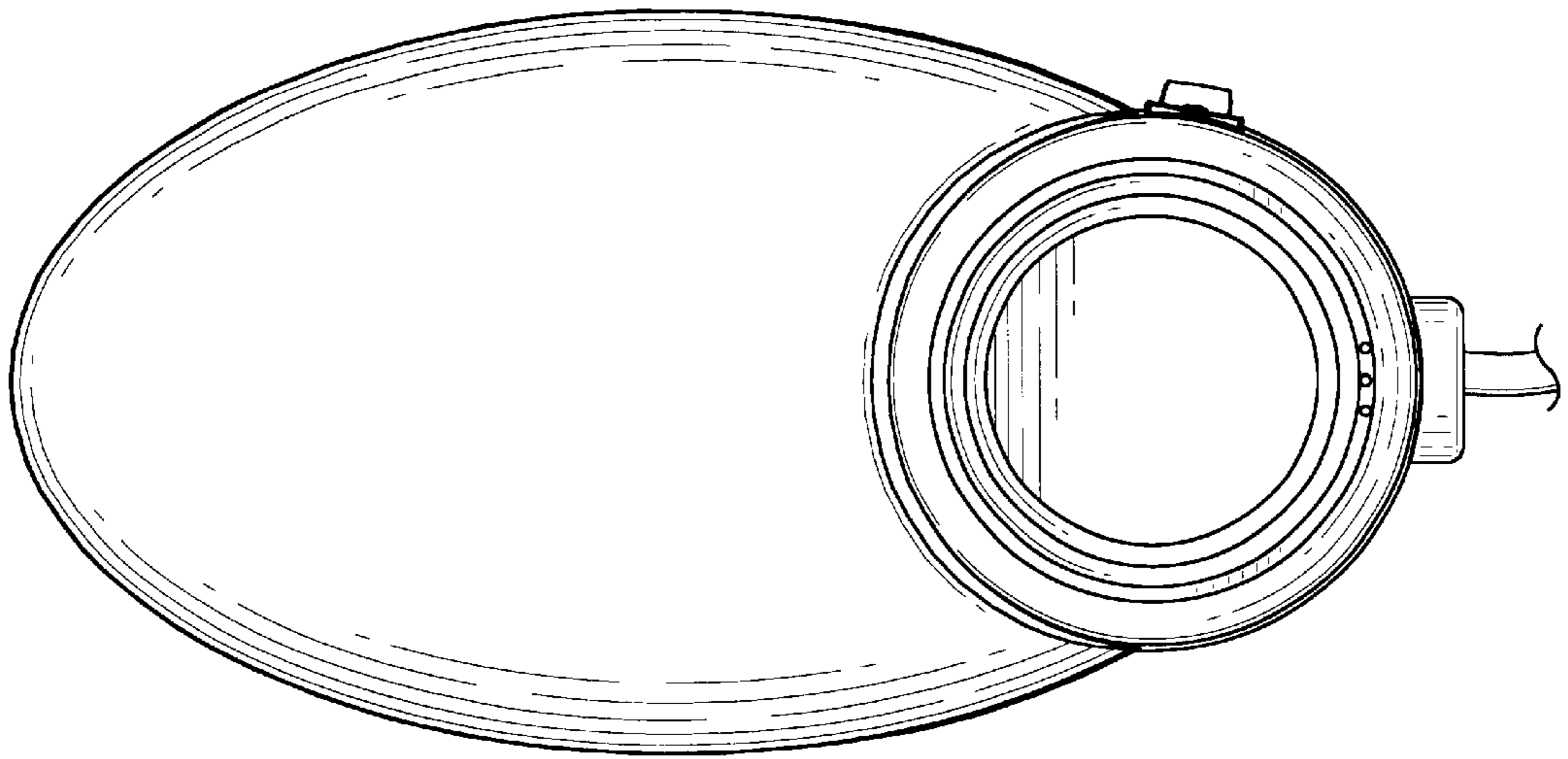
FIG. 7 is a rear elevation thereof.

**1 Claim, 3 Drawing Sheets**

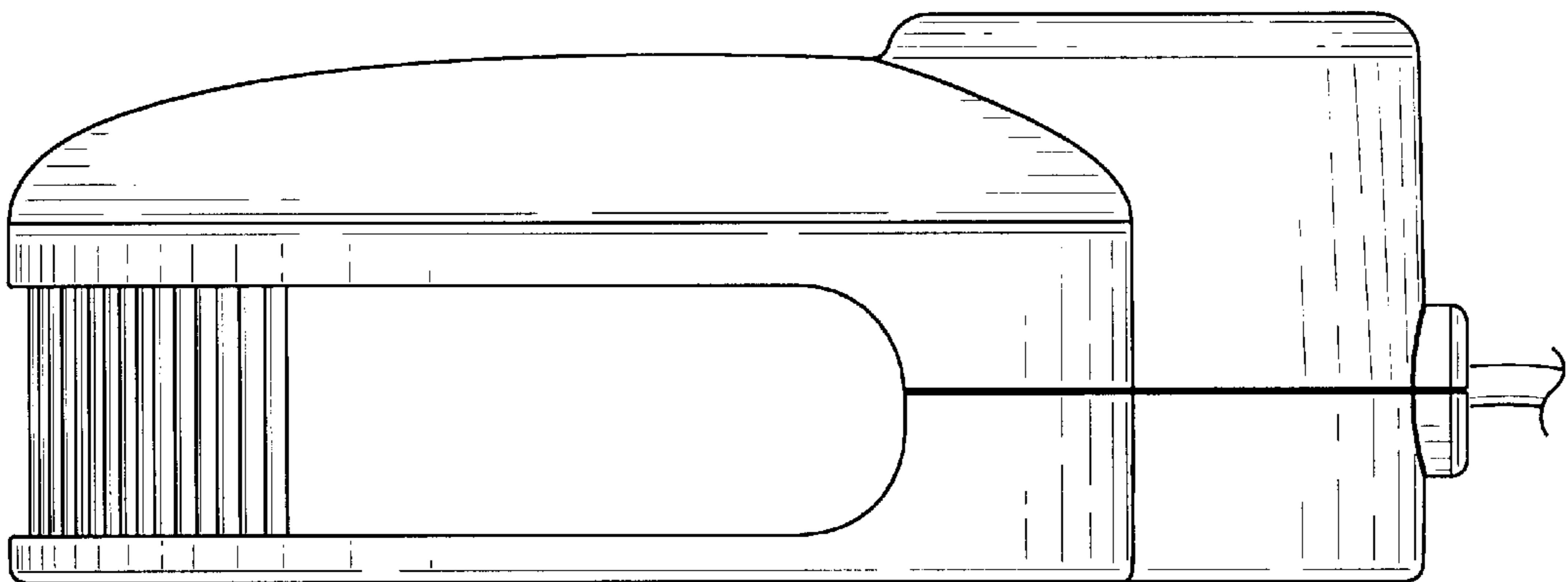




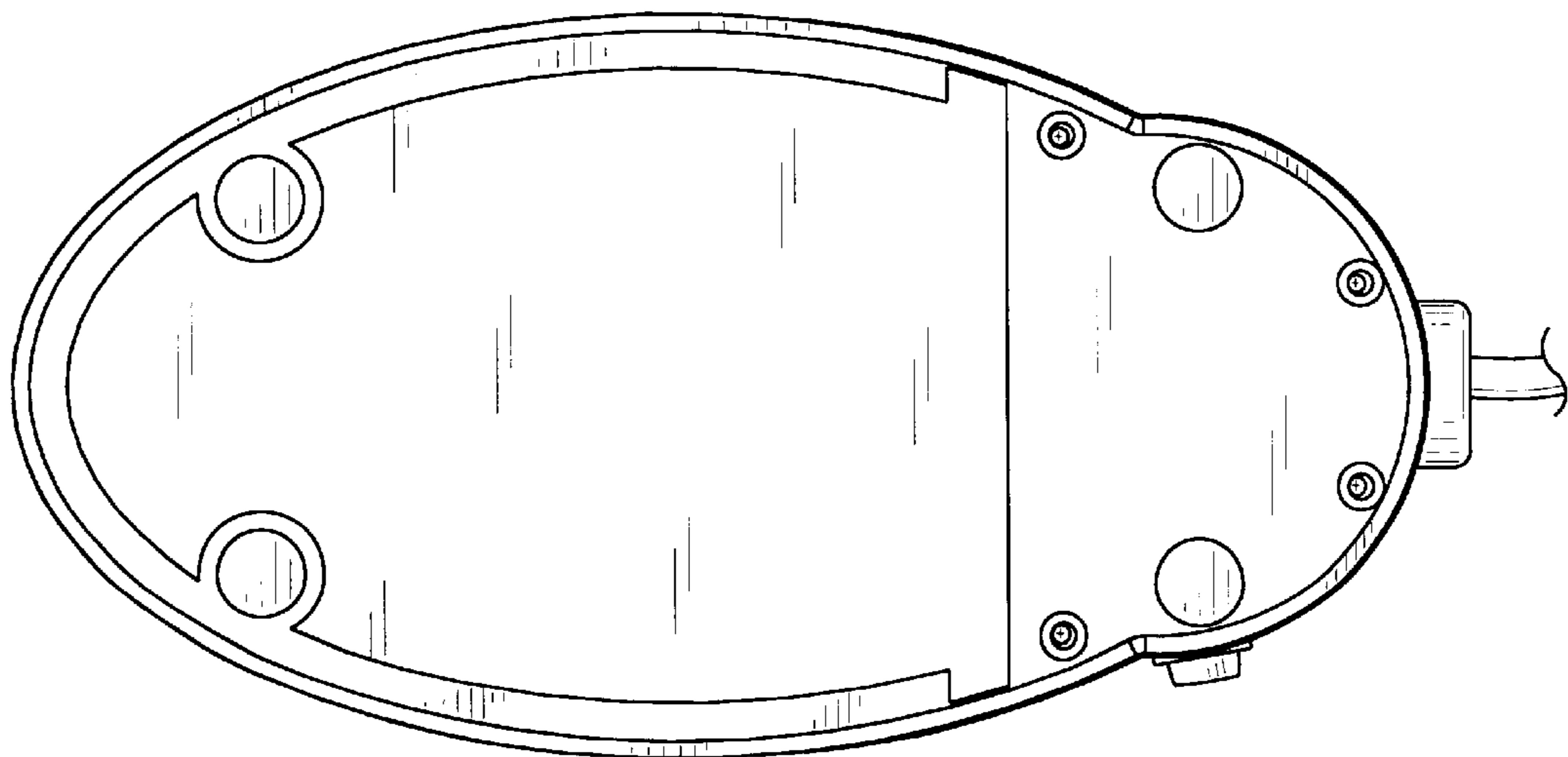
*Fig. 1*



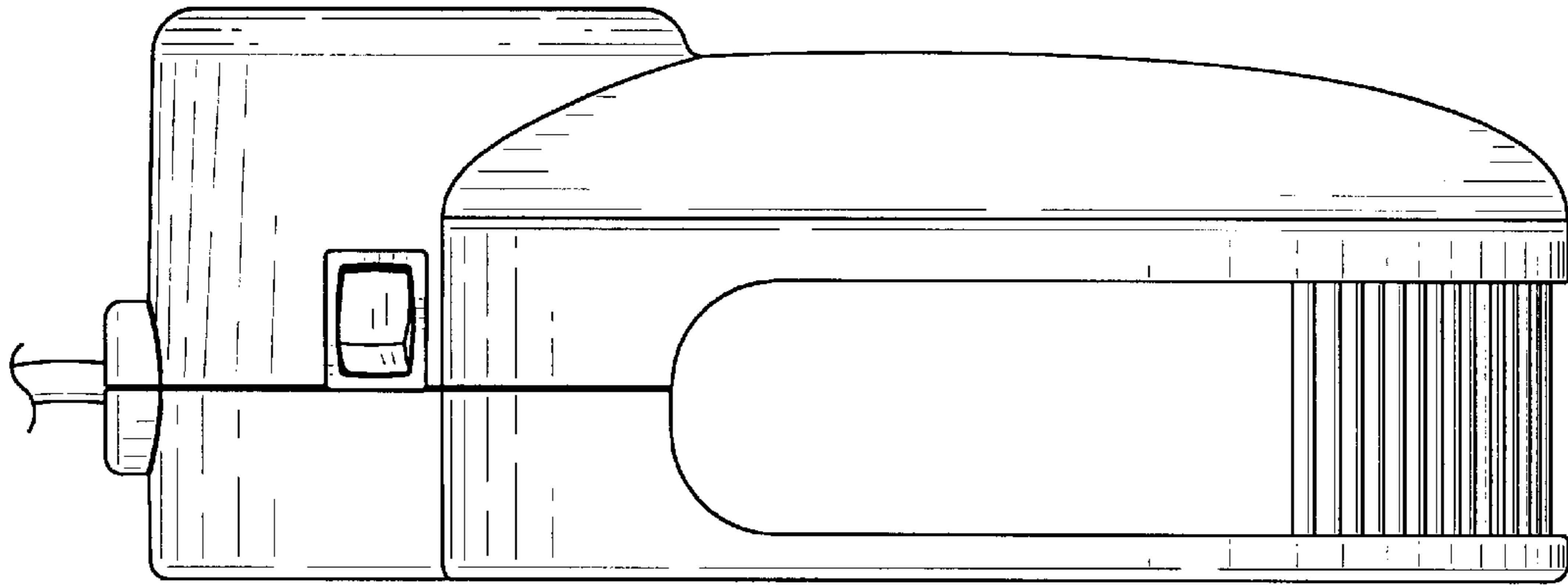
*Fig. 2*



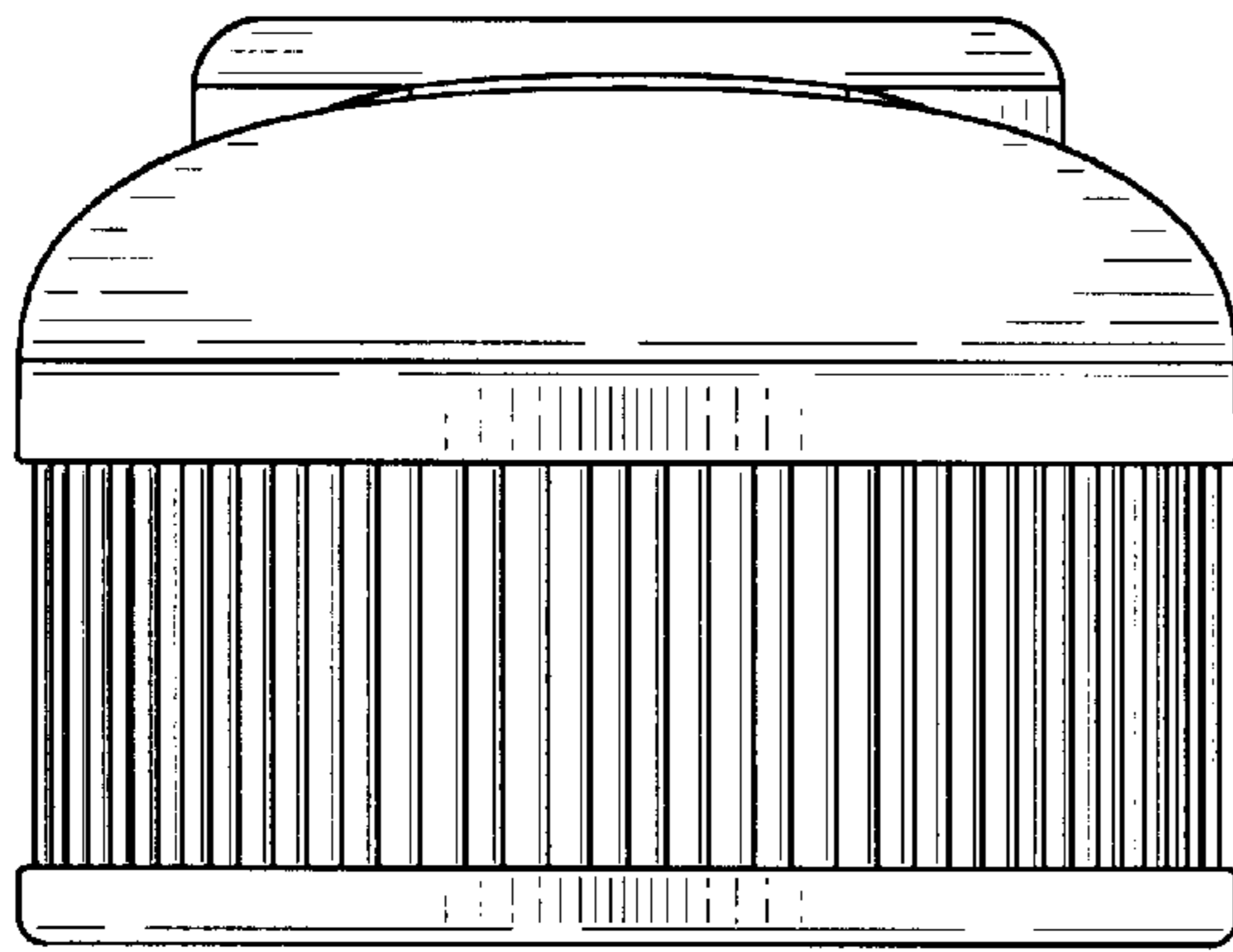
*Fig. 3*



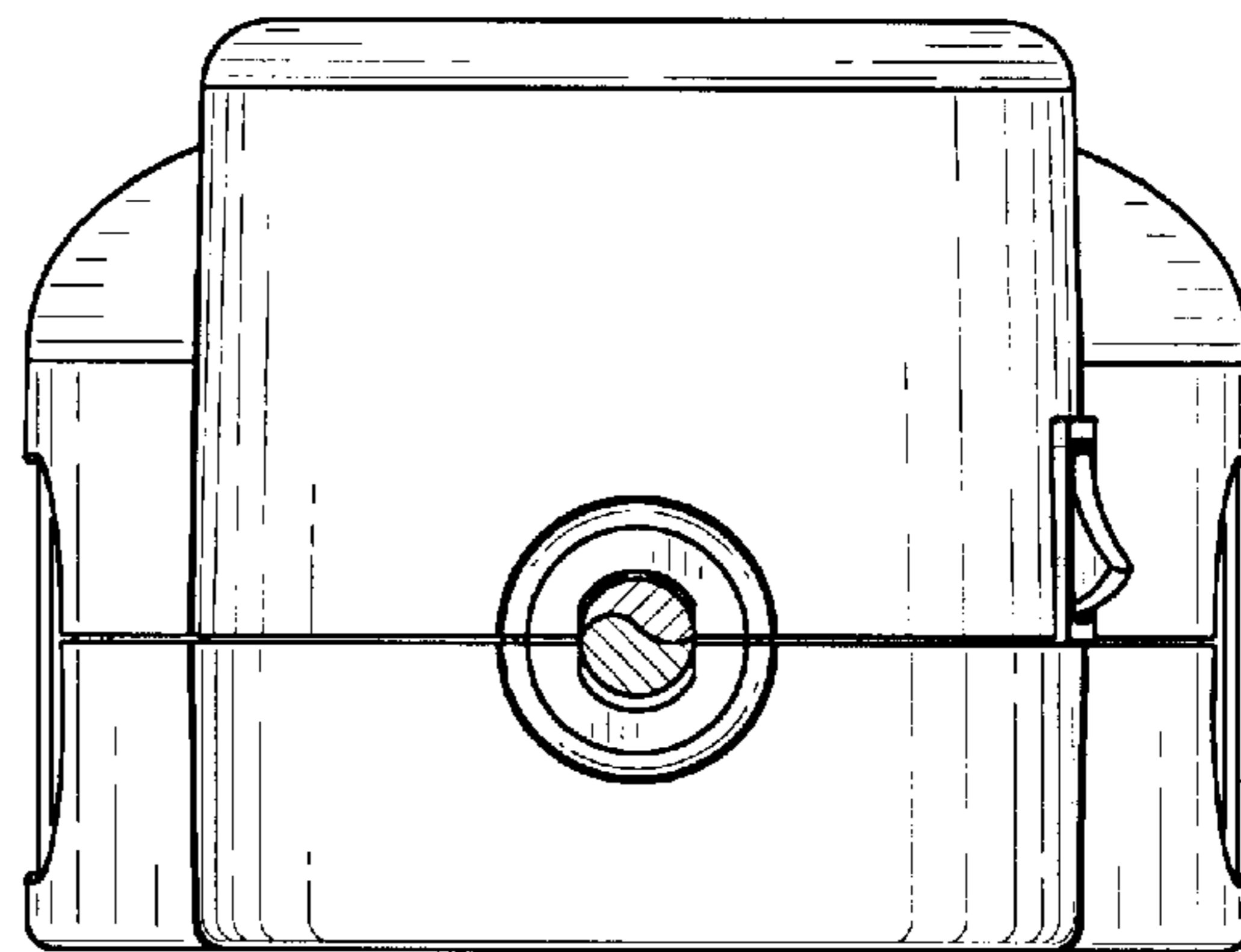
*Fig. 4*



*Fig. 5*



*Fig. 6*



*Fig. 7*