



US00D489484S

(12) **United States Design Patent**
Cheung

(10) **Patent No.:** **US D489,484 S**

(45) **Date of Patent:** **** May 4, 2004**

(54) **STRAIGHTENING IRON**

2002/0036000 A1 * 3/2002 Hirata et al. 132/224

(76) Inventor: **Maggie Cheung**, Block A1, 3/F Tsing Yi Industrial center, Phase 1, Tsing Yi N.T. (HK)

* cited by examiner

Primary Examiner—Jennifer Rivard
(74) *Attorney, Agent, or Firm*—James E. Brunton

(**) Term: **14 Years**

(57) **CLAIM**

(21) Appl. No.: **29/175,087**

The ornamental design for a “straightening iron”, as shown.

(22) Filed: **Jan. 29, 2003**

DESCRIPTION

(51) **LOC (7) Cl.** **28-03**

(52) **U.S. Cl.** **D28/35**

(58) **Field of Search** D28/35; 132/223–225,
132/269, 271; 219/222, 225

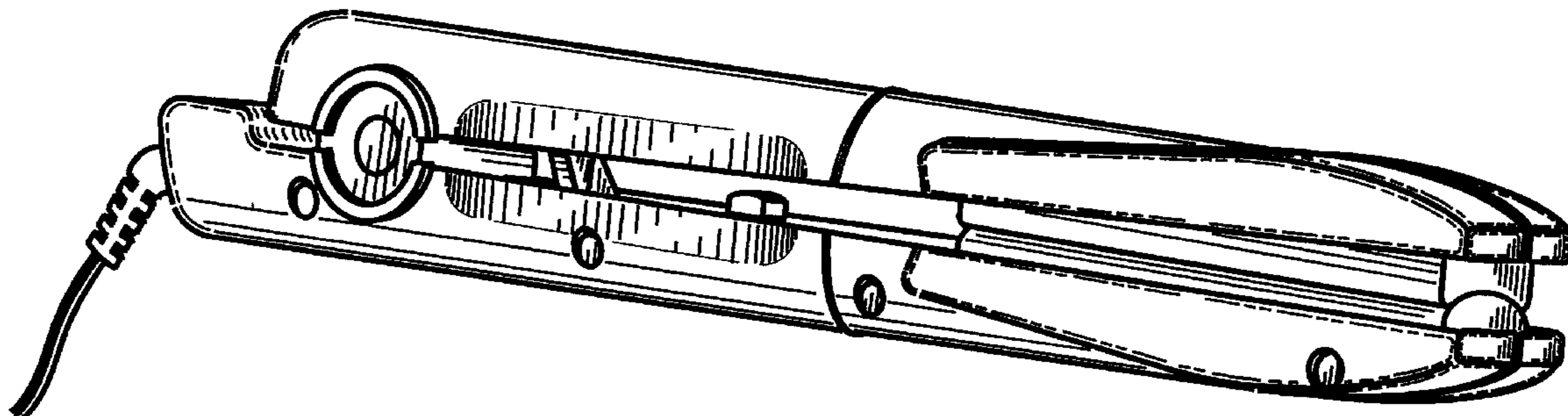
FIG. 1 is a perspective view of a straightening iron showing my new design;
FIG. 2 is a right end view thereof;
FIG. 3 is a left end view thereof;
FIG. 4 is a front view thereof;
FIG. 5 is a rear view thereof;
FIG. 6 is a top view thereof; and,
FIG. 7 is a bottom view thereof.

(56) **References Cited**

U.S. PATENT DOCUMENTS

D411,333 S * 6/1999 Smal D28/35
6,191,387 B1 * 2/2001 Smal 219/225

1 Claim, 3 Drawing Sheets



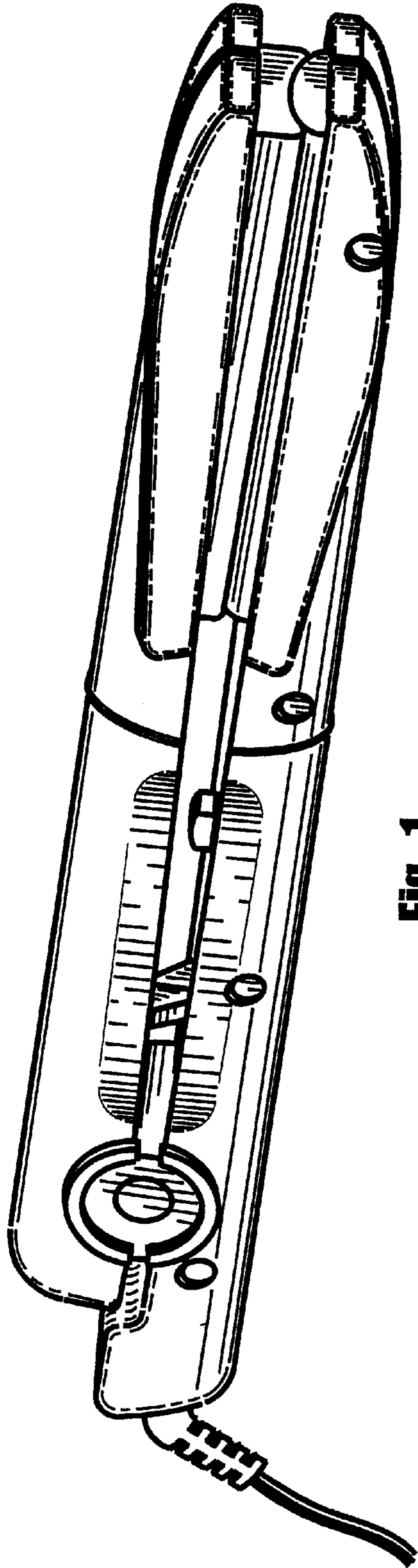


Fig. 1

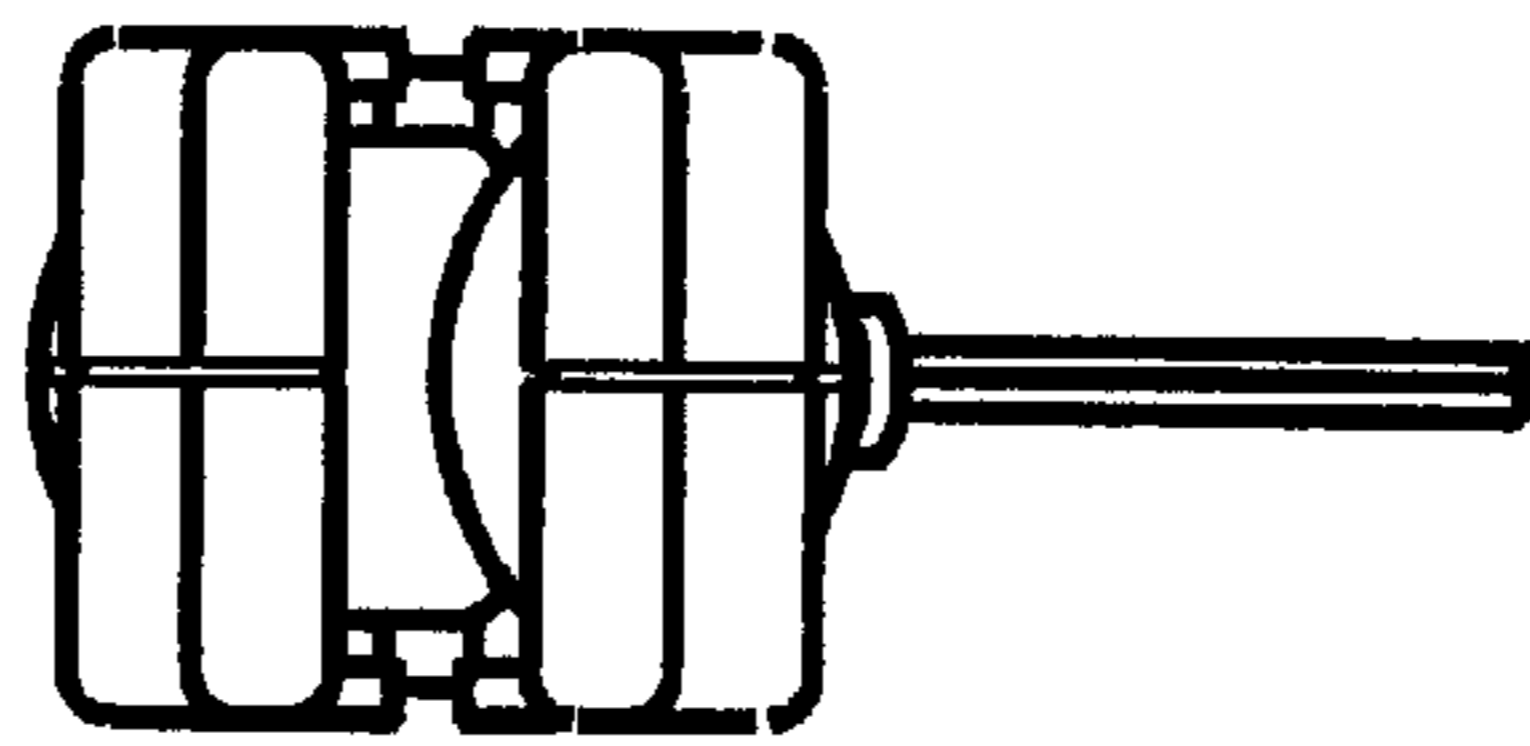


Fig. 2

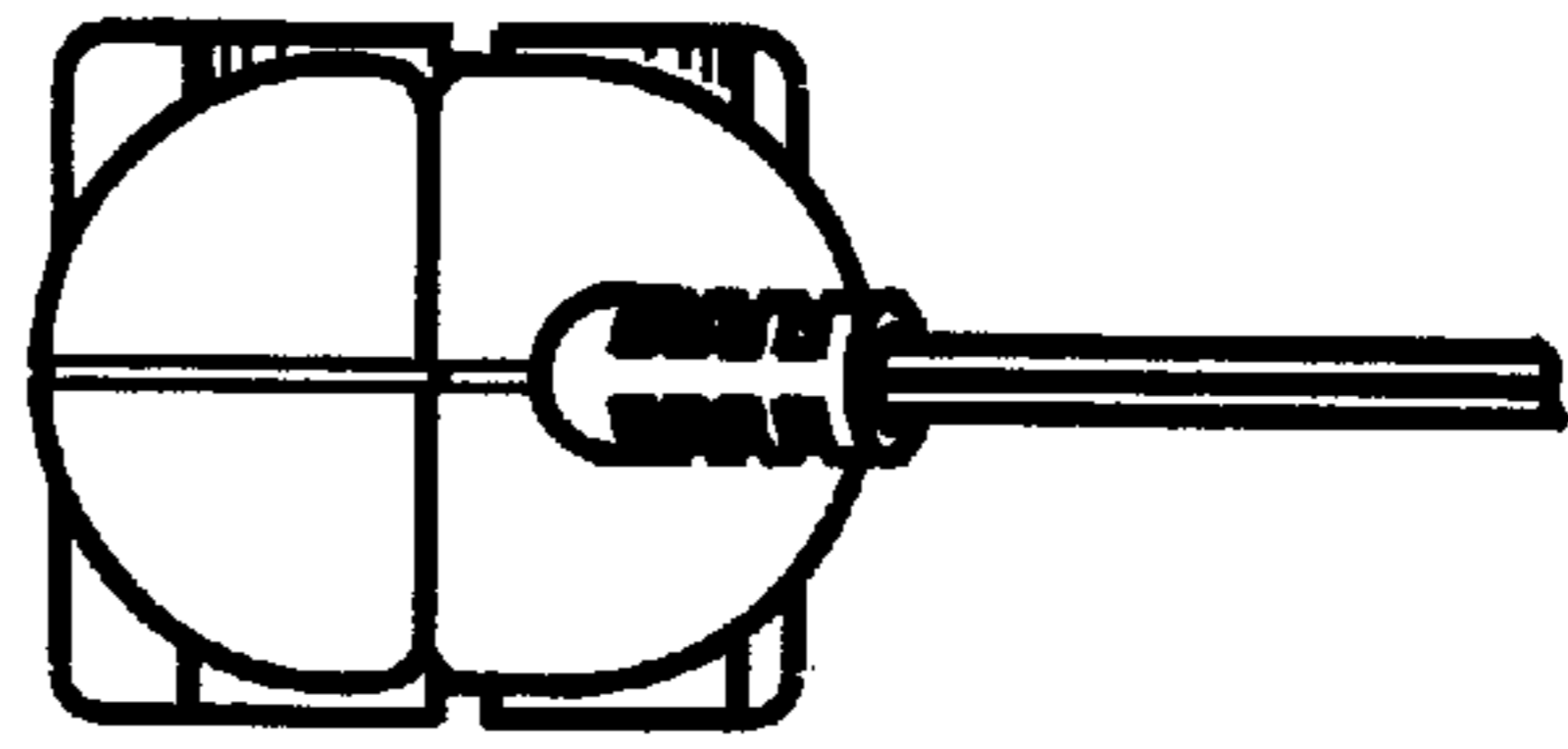


Fig. 3

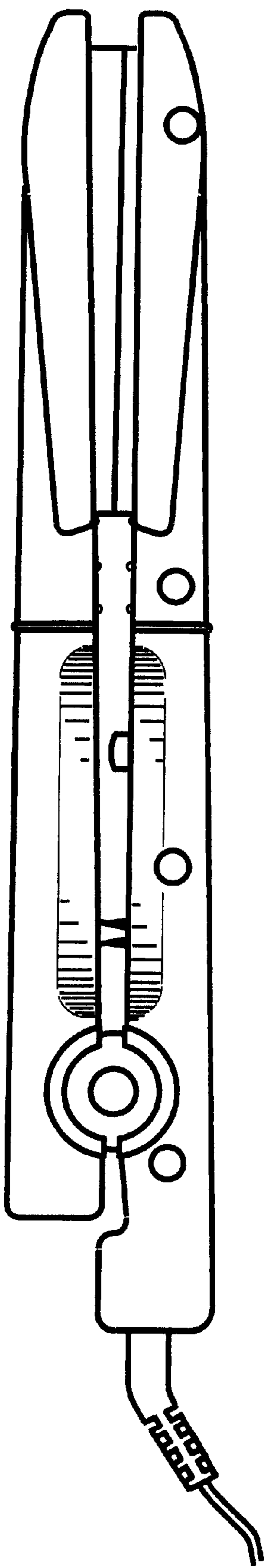


Fig. 4

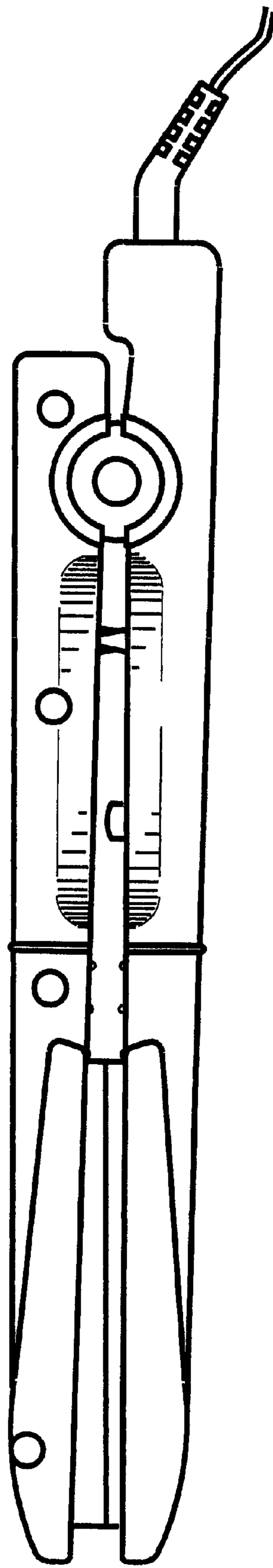


Fig. 5

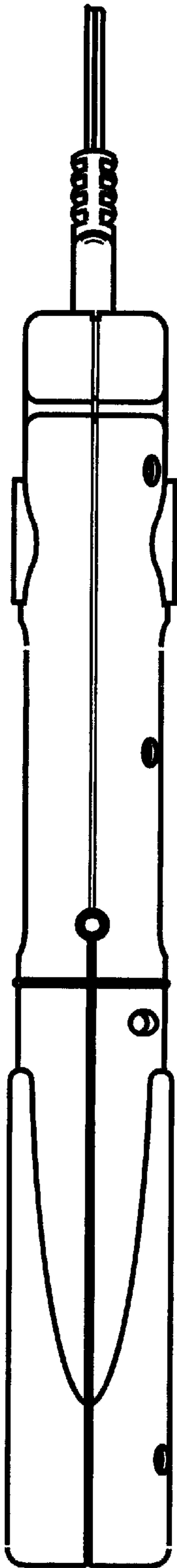


Fig. 6

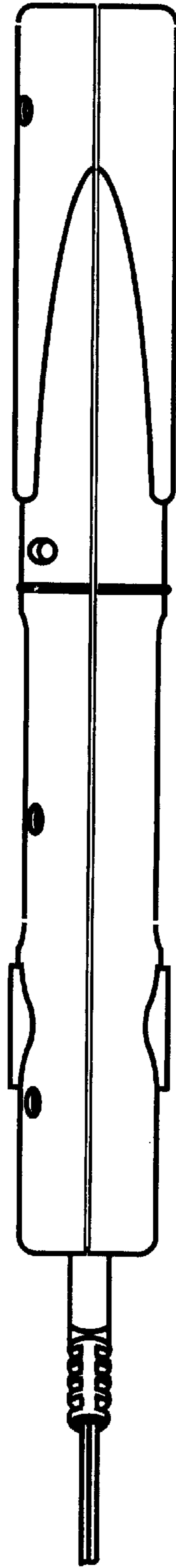


Fig. 7