



US00D489483S

(12) **United States Design Patent**
Cho

(10) **Patent No.:** **US D489,483 S**

(45) **Date of Patent:** **** May 4, 2004**

(54) **HAIR IRON**

(76) Inventor: **Ok-Nam Cho**, 791-1987, Mia-1-dong,
Gangbuk-gu, Seoul (KR)

(**) Term: **14 Years**

(21) Appl. No.: **29/170,878**

(22) Filed: **Nov. 12, 2002**

(30) **Foreign Application Priority Data**

May 13, 2002 (KR) 2002-13878

(51) **LOC (7) Cl.** **28-03**

(52) **U.S. Cl.** **D28/35**

(58) **Field of Search** D28/35; 132/223-225,
132/269, 271; 219/222, 225

(56) **References Cited**

U.S. PATENT DOCUMENTS

6,191,387 B1 * 2/2001 Smal 219/225

6,386,206 B2 * 5/2002 Lee 132/225
2002/0036000 A1 * 3/2002 Hirata et al. 132/224

* cited by examiner

Primary Examiner—Jennifer Rivard
(74) *Attorney, Agent, or Firm*—Mathews, Collins,
Shepherd & McKay, P.A.

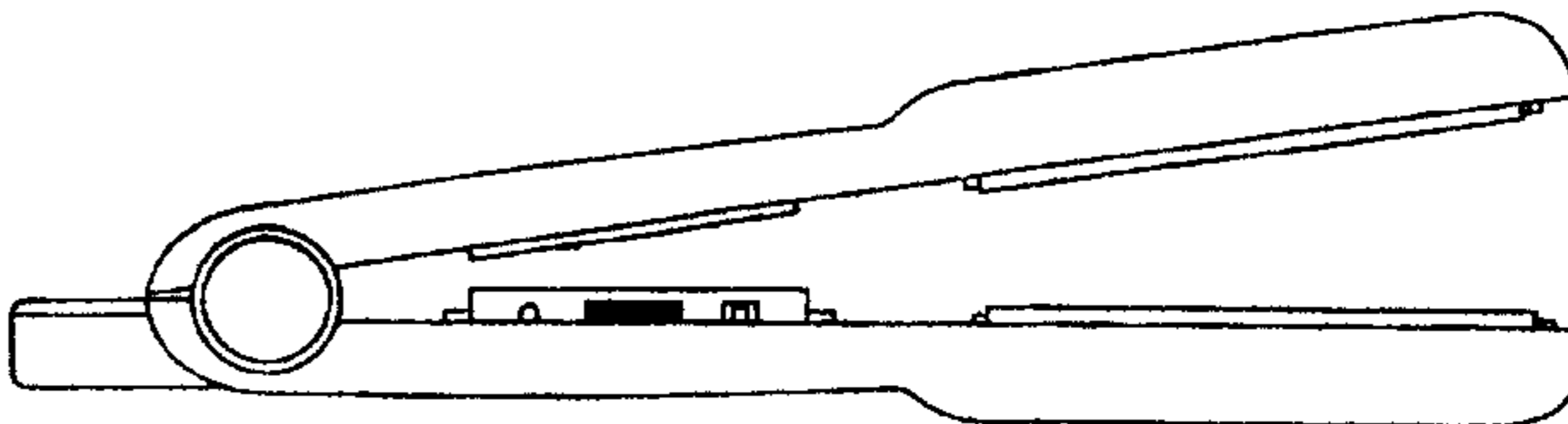
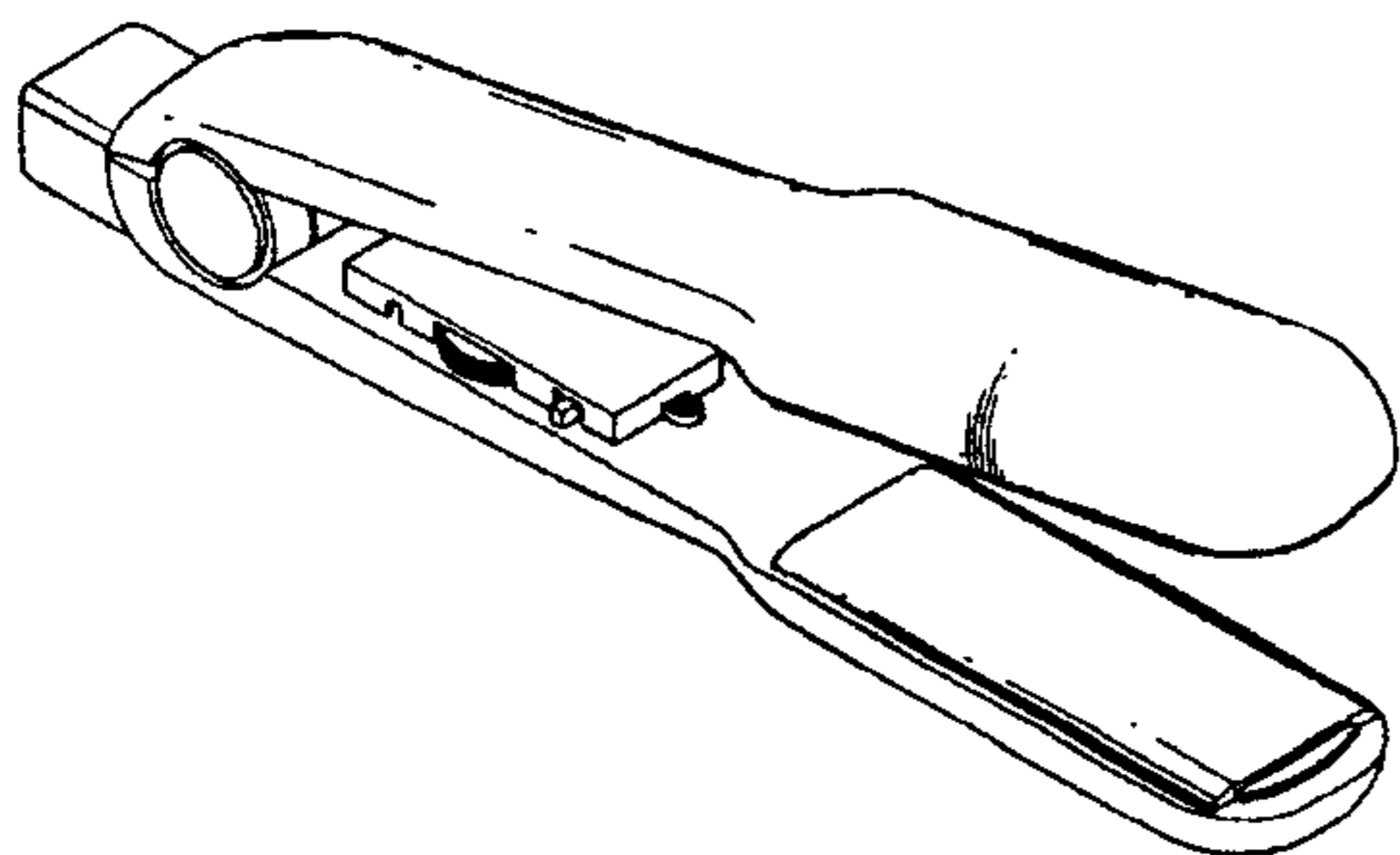
(57) **CLAIM**

The ornamental design for a hair iron, as shown and described.

DESCRIPTION

FIG. 1 is a perspective view, showing my new design;
FIG. 2 is a front view thereof;
FIG. 3 is a rear view thereof;
FIG. 4 is a left side view thereof;
FIG. 5 is a right side view thereof;
FIG. 6 is a top plan view thereof; and,
FIG. 7 is a bottom view thereof.

1 Claim, 4 Drawing Sheets



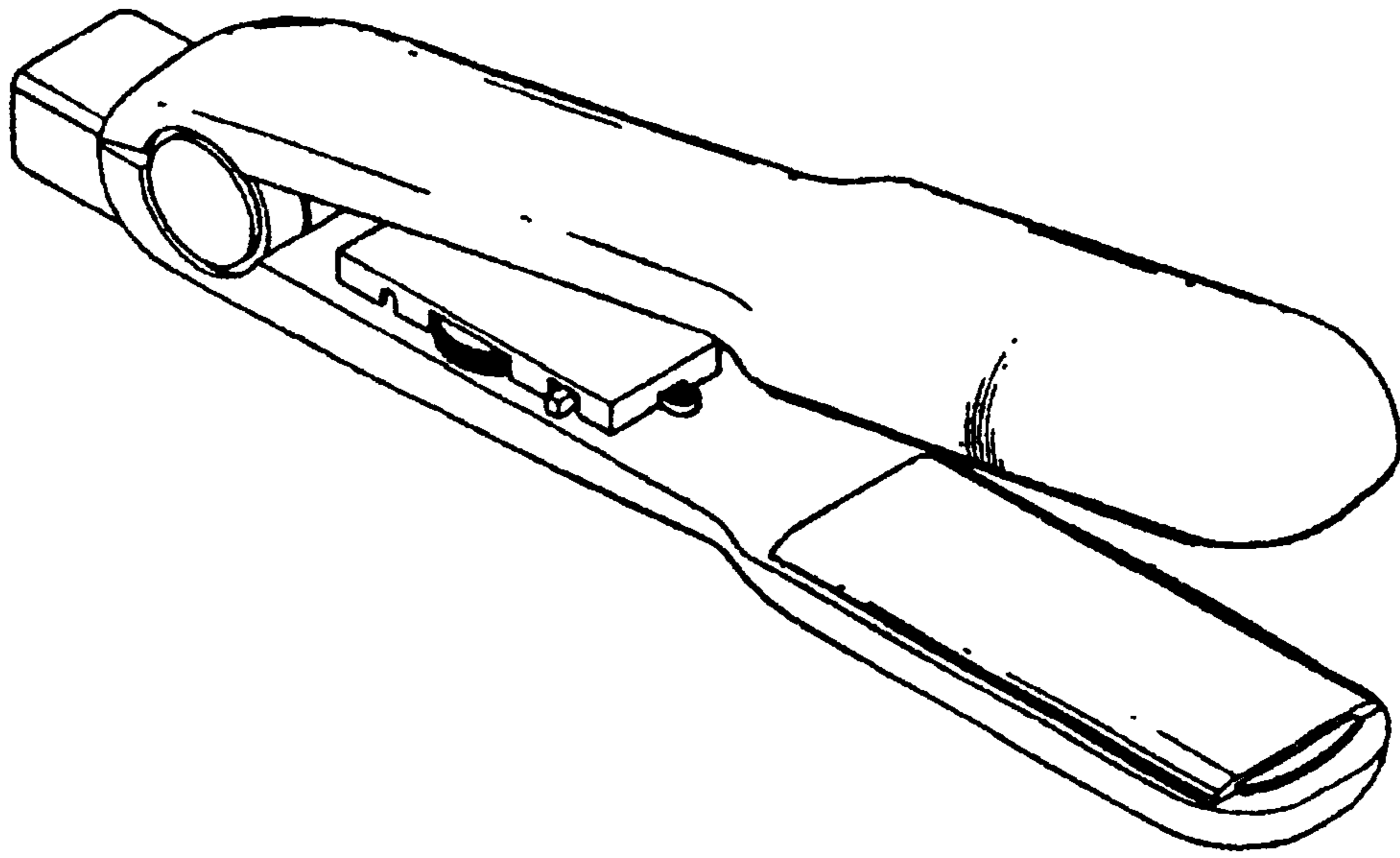


FIGURE 1

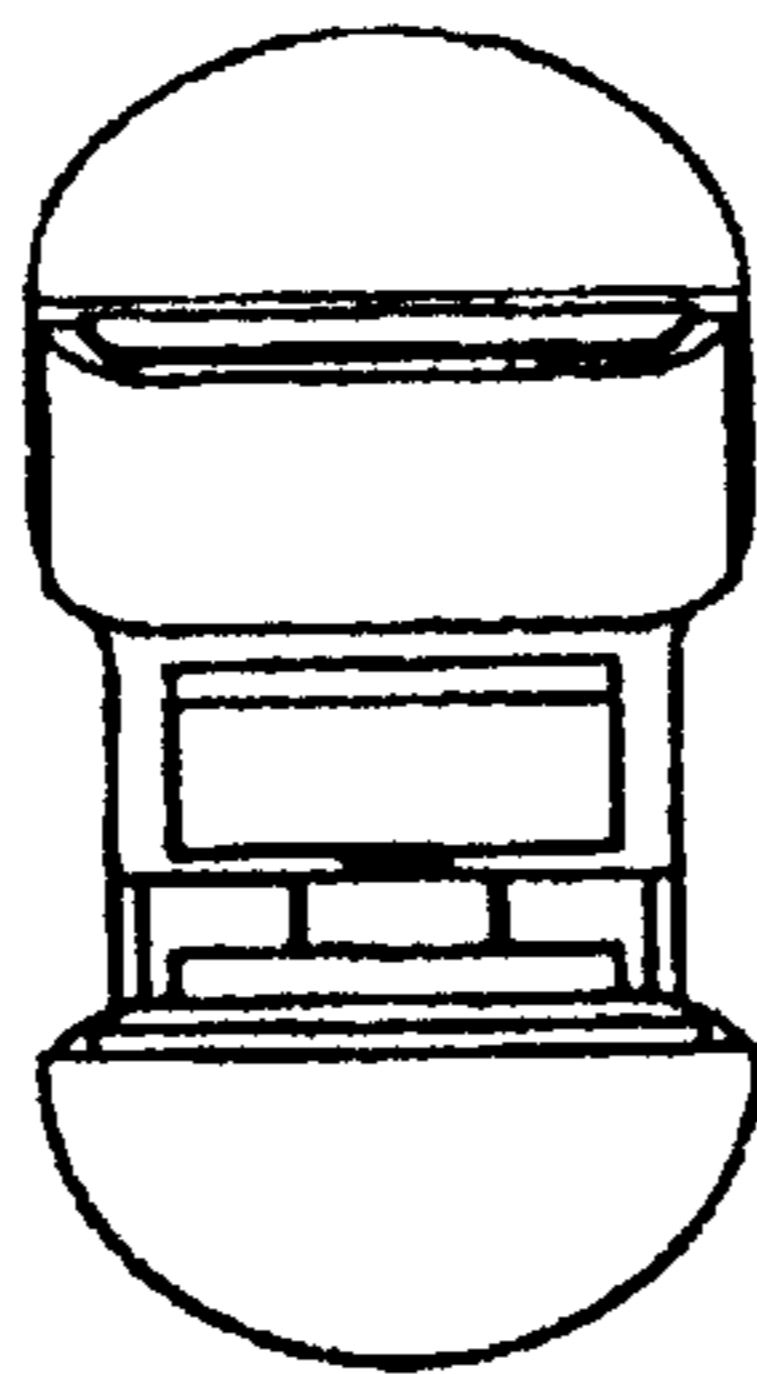


FIGURE 2

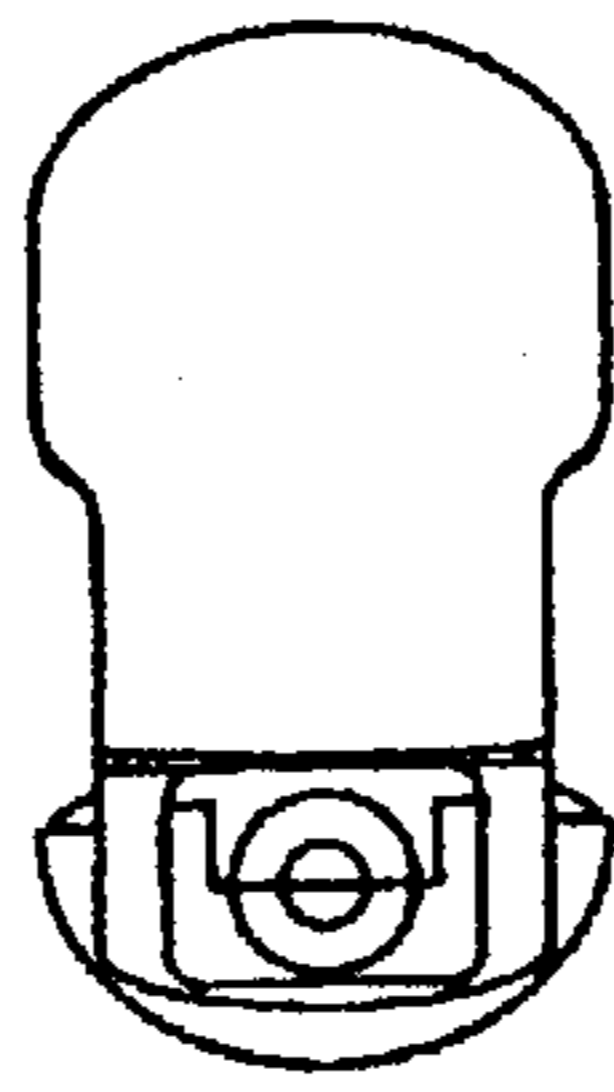


FIGURE 3

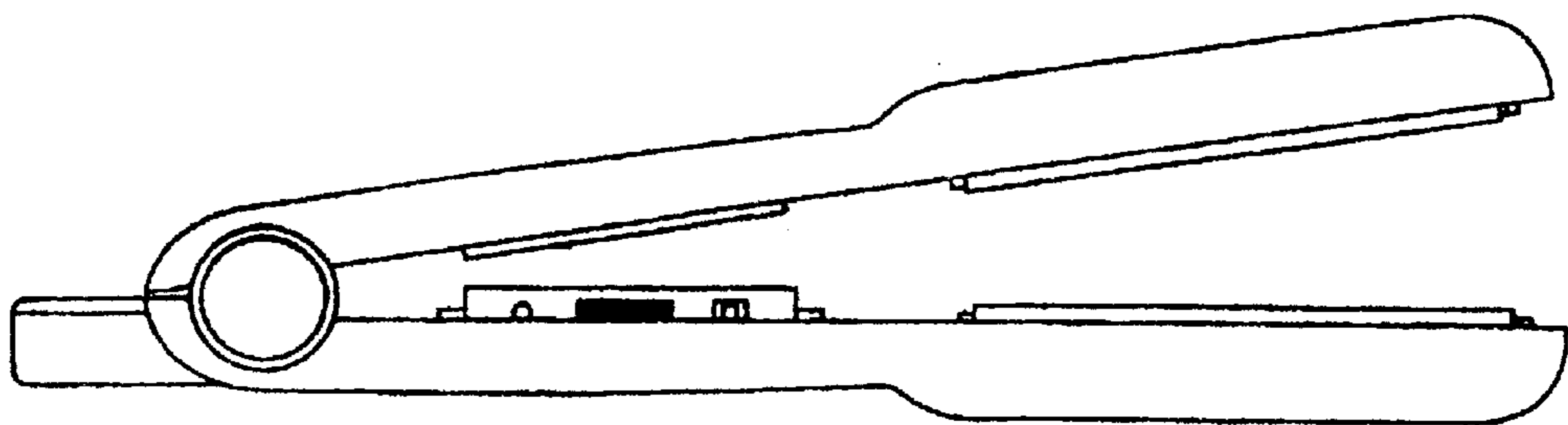


FIGURE 4

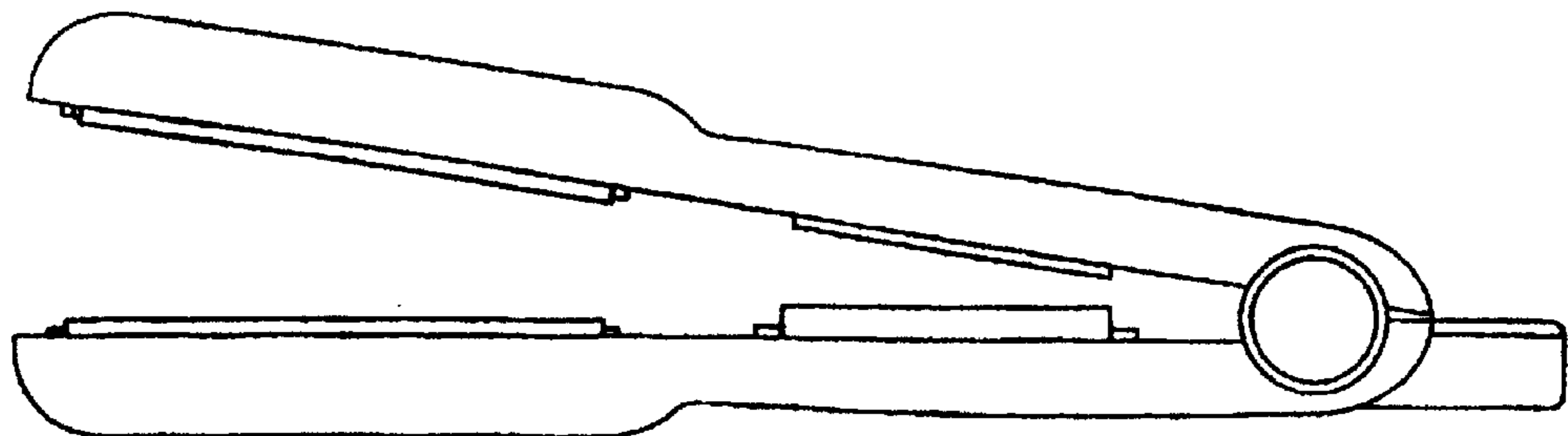


FIGURE 5

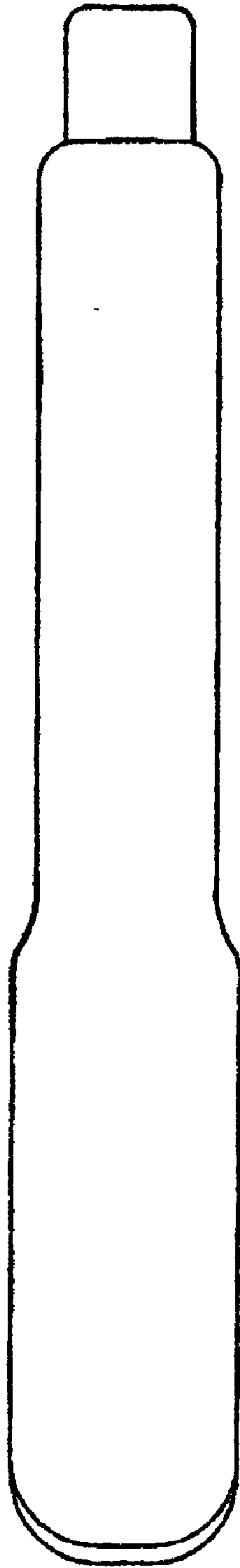


FIGURE 6

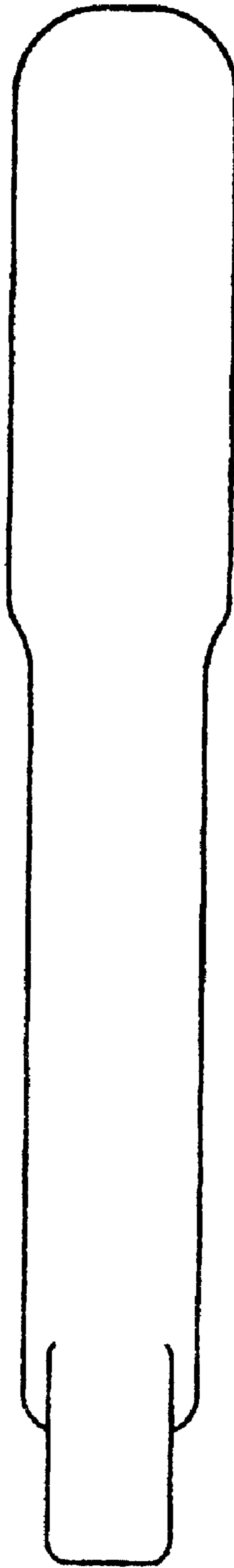


FIGURE 7