



US00D489477S

(12) **United States Design Patent**
Maldonado

(10) **Patent No.:** **US D489,477 S**

(45) **Date of Patent:** **** May 4, 2004**

(54) **CANDY CANE-SHAPED OUTDOOR LIGHT HOLDER**

Primary Examiner—Jennifer Rivard

(76) **Inventor:** **Ricardo Maldonado**, 414 Coventry Ct., Pasadena, TX (US) 77502

(**) **Term:** **14 Years**

(21) **Appl. No.:** **29/188,203**

(22) **Filed:** **Aug. 15, 2003**

(51) **LOC (7) Cl.** **26-99**

(52) **U.S. Cl.** **D26/156**

(58) **Field of Search** D26/67, 68, 138,
D26/156; 248/530, 532; 362/249, 252,
431, 806

(56) **References Cited**

U.S. PATENT DOCUMENTS

D323,408 S *	1/1992	Butler	D26/138
6,367,953 B1 *	4/2002	Lee	362/252
D464,159 S *	10/2002	Peloquin	D26/67
6,461,018 B1 *	10/2002	Chanslor	362/249

* cited by examiner

(57) **CLAIM**

The ornamental design for a candy cane-shaped outdoor light holder, as shown and described.

DESCRIPTION

FIG. 1 is an exploded perspective view of a candy cane-shaped outdoor light holder showing my new design;

FIG. 2 is a perspective view thereof;

FIG. 3 is a top plan view thereof;

FIG. 4 is a bottom plan view thereof;

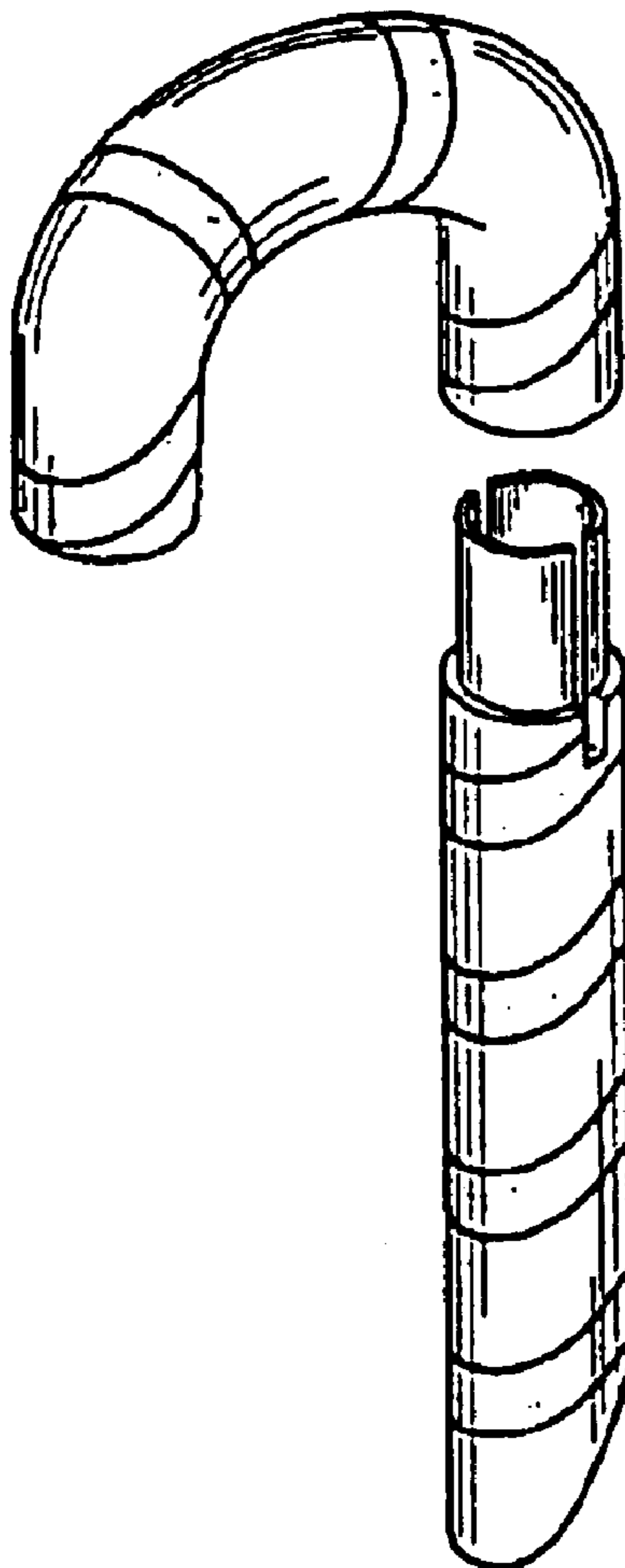
FIG. 5 is a left side elevational view thereof;

FIG. 6 is a right side elevational view thereof; and,

FIG. 7 is a perspective view of a plurality of candy cane-shaped outdoor light holders shown in use.

The broken lines indicating a string of lights and additional holders are shown for illustrative purposes only and form no part of the claimed design.

1 Claim, 3 Drawing Sheets



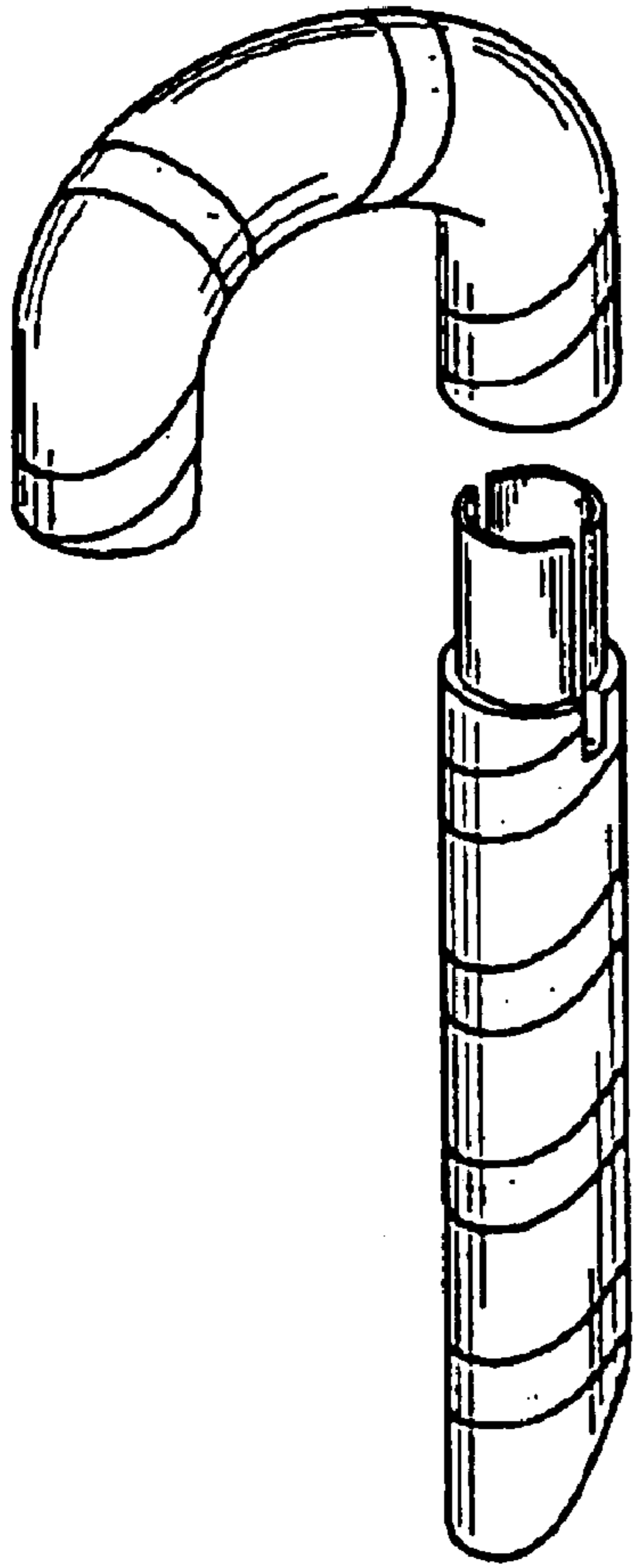


Figure 1

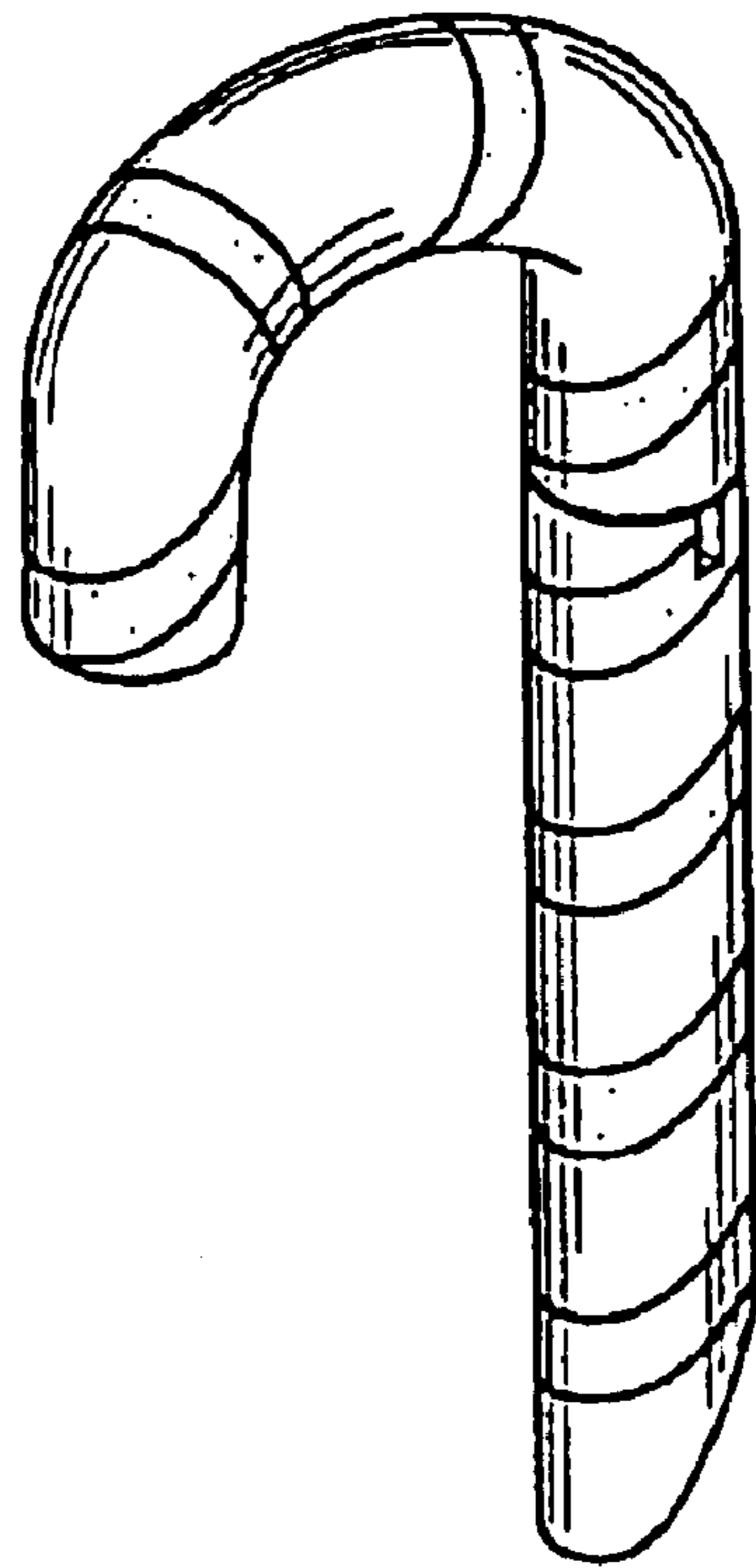


Figure 2

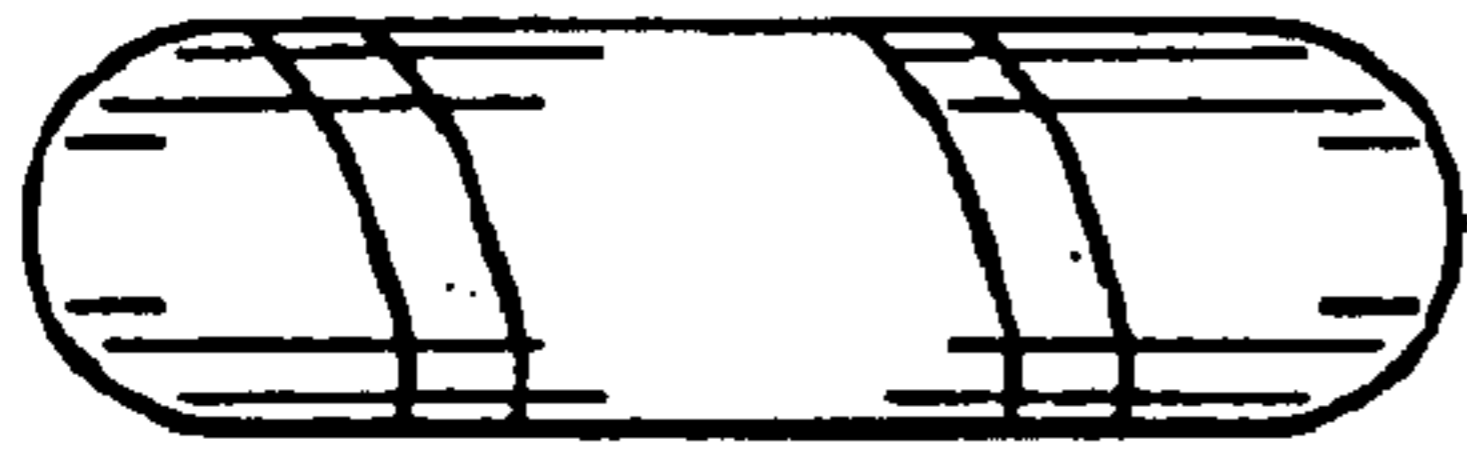


Figure 3

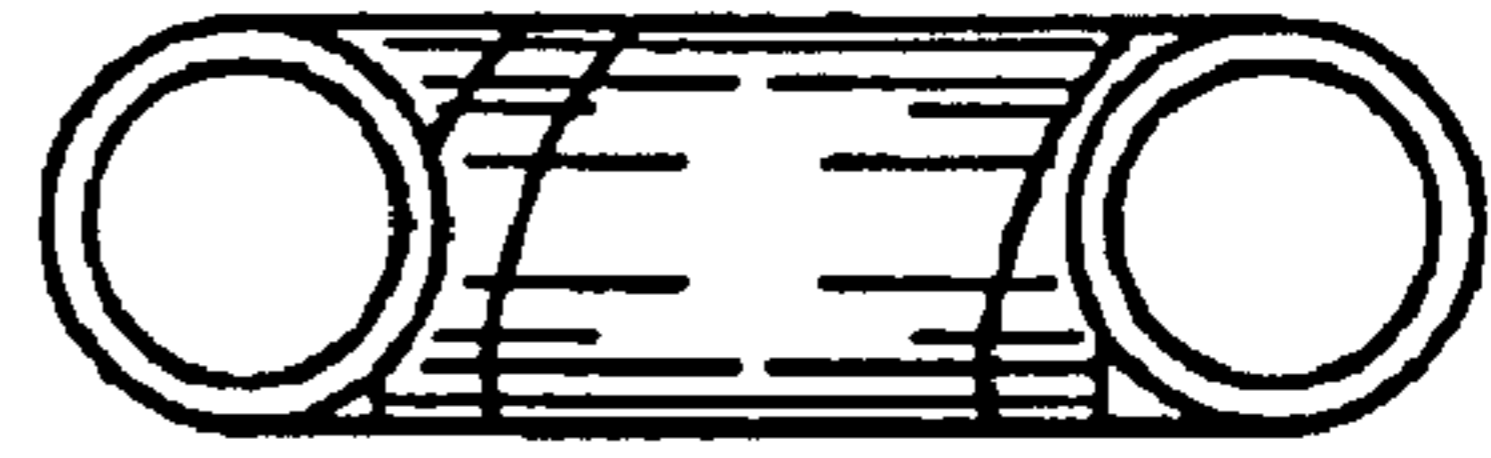


Figure 4

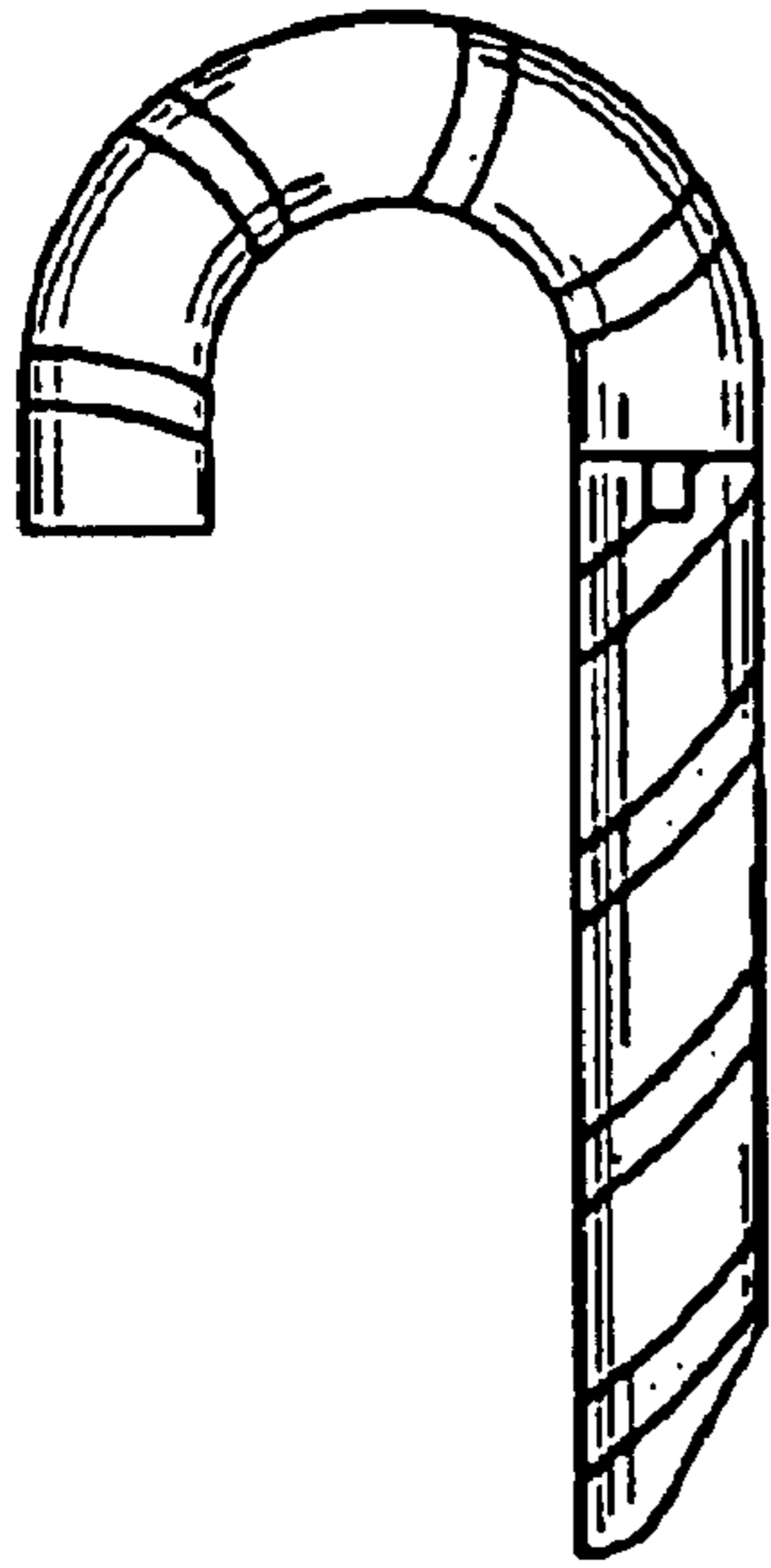


Figure 5

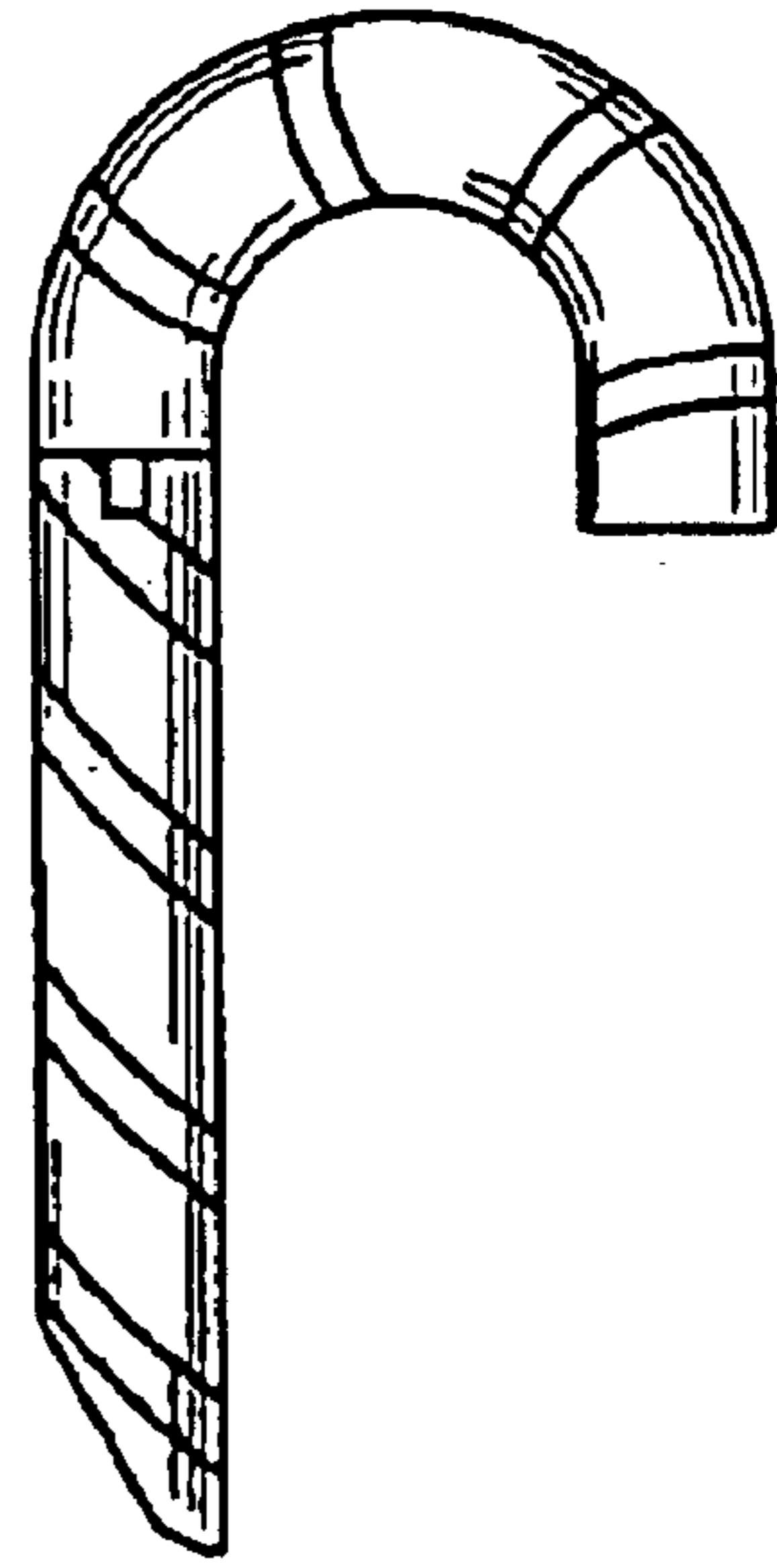


Figure 6

