



US00D489474S

(12) **United States Design Patent**
Brunner

(10) **Patent No.:** **US D489,474 S**

(45) **Date of Patent:** **** May 4, 2004**

(54) **CHANDELIER**

D465,870 S * 11/2002 Dolan D26/84

(75) Inventor: **Richard L. Brunner**, Louisville, KY
(US)

* cited by examiner

(73) Assignee: **Genlyte Thomas Group LLC**,
Louisville, KY (US)

Primary Examiner—Clare E. Heflin

(74) *Attorney, Agent, or Firm*—Jeffrey A. Haeberlin;
Middleton Reutlinger

(**) Term: **14 Years**

(57) **CLAIM**

The ornamental design for a chandelier, as shown and described.

(21) Appl. No.: **29/164,335**

(22) Filed: **Jul. 23, 2002**

DESCRIPTION

(51) **LOC (7) Cl.** **26-03**

(52) **U.S. Cl.** **D26/84; D26/86**

(58) **Field of Search** D26/72, 80-92,
D26/141, 144, 155; 362/147, 237, 404-406,
432, 806

FIG. 1 is a front view of a chandelier showing my design. FIG. 2 is a side view thereof. The view taken from the opposite side is a mirror image of this view and, therefore, has been omitted.

FIG. 3 is a rear view of the chandelier of FIG. 1.

FIG. 4 is a top view thereof; and,

FIG. 5 is a bottom view thereof.

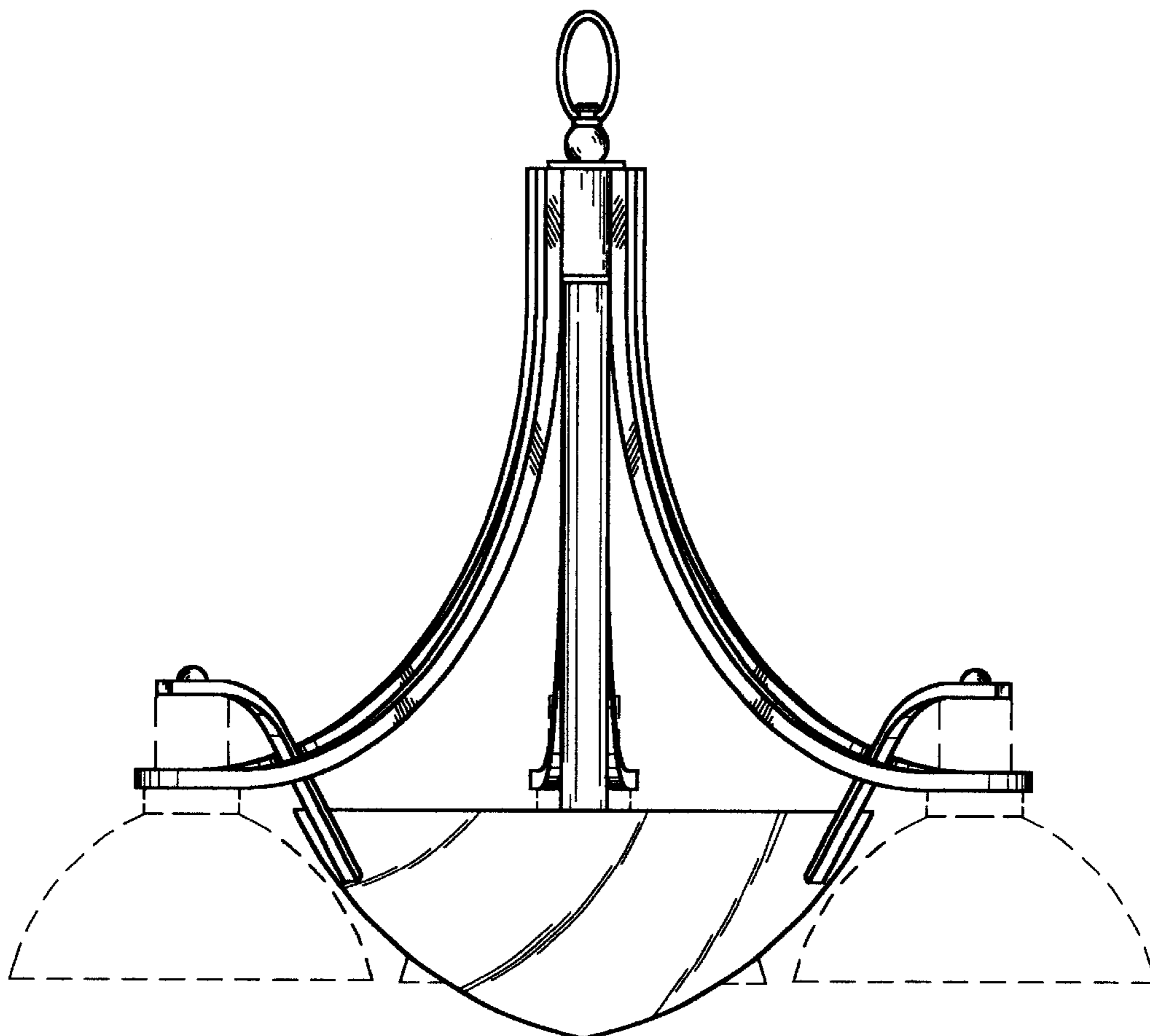
The broken line showing of the glass holders and shades is for illustrative purposes only and forms no part of the claimed design.

(56) **References Cited**

U.S. PATENT DOCUMENTS

- D62,137 S * 3/1923 Crowell D26/84
- D430,689 S * 9/2000 Chiang D26/80
- D453,581 S * 2/2002 Orozco D26/84

1 Claim, 5 Drawing Sheets



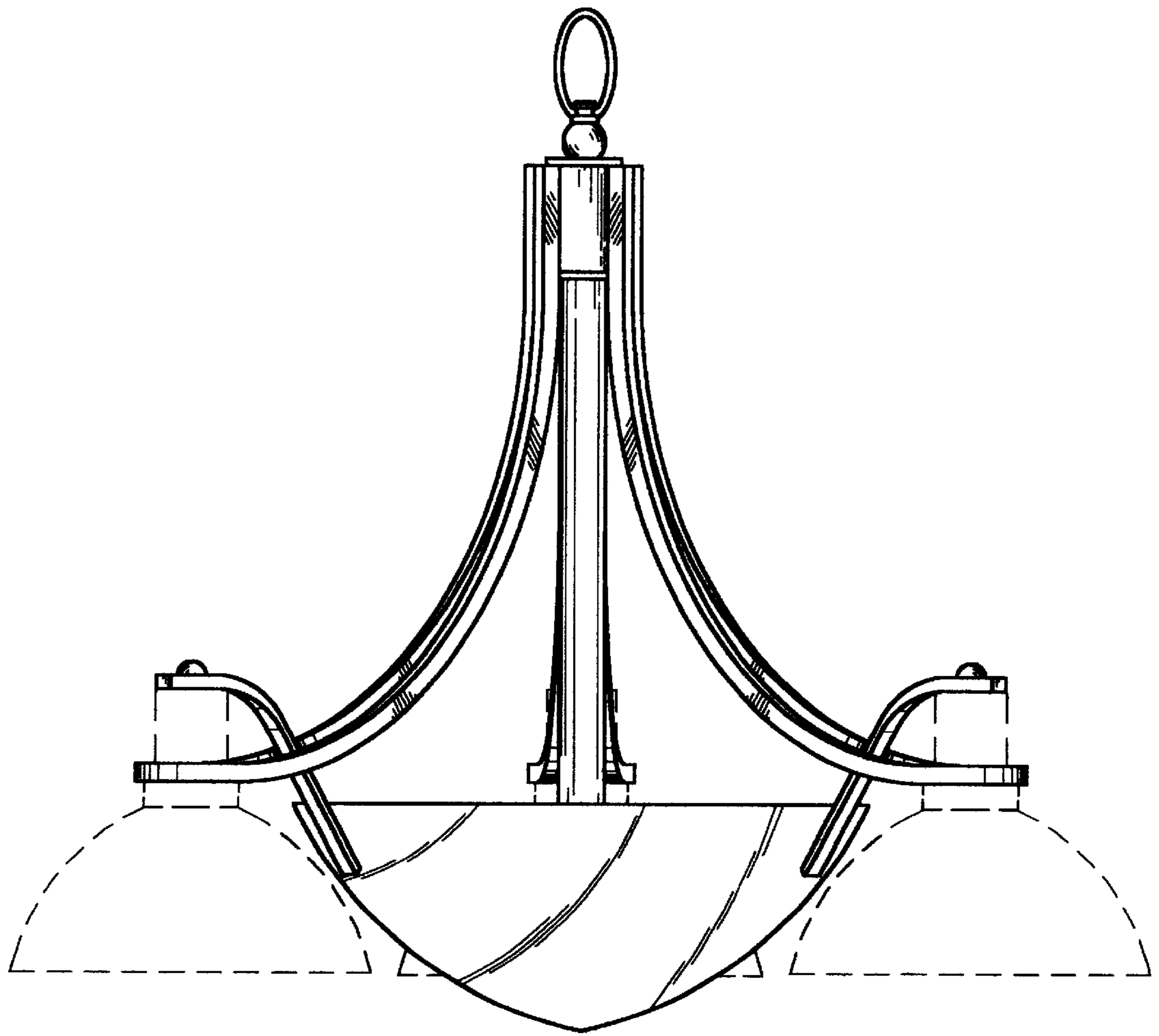


FIG. 1

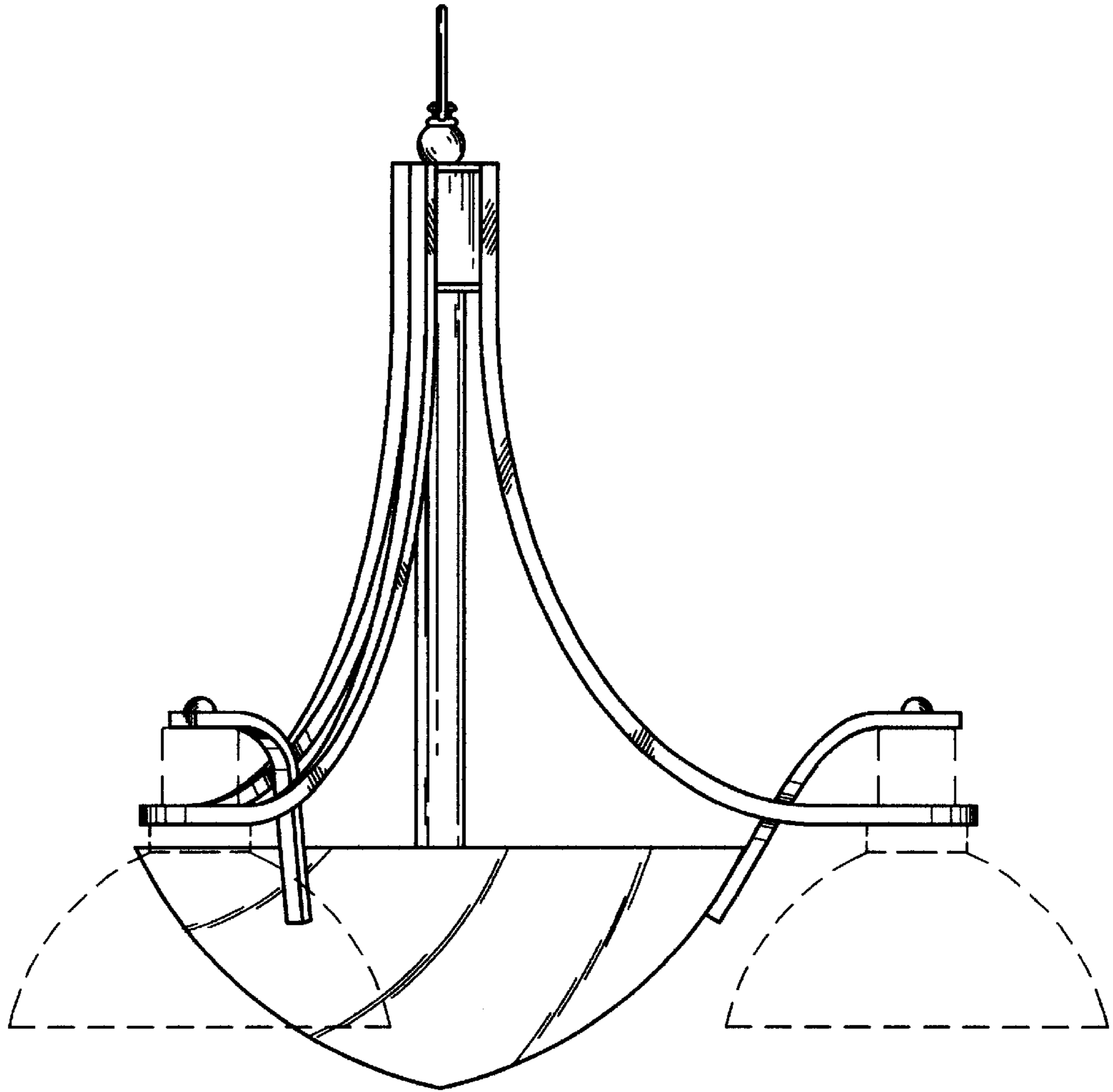


FIG. 2

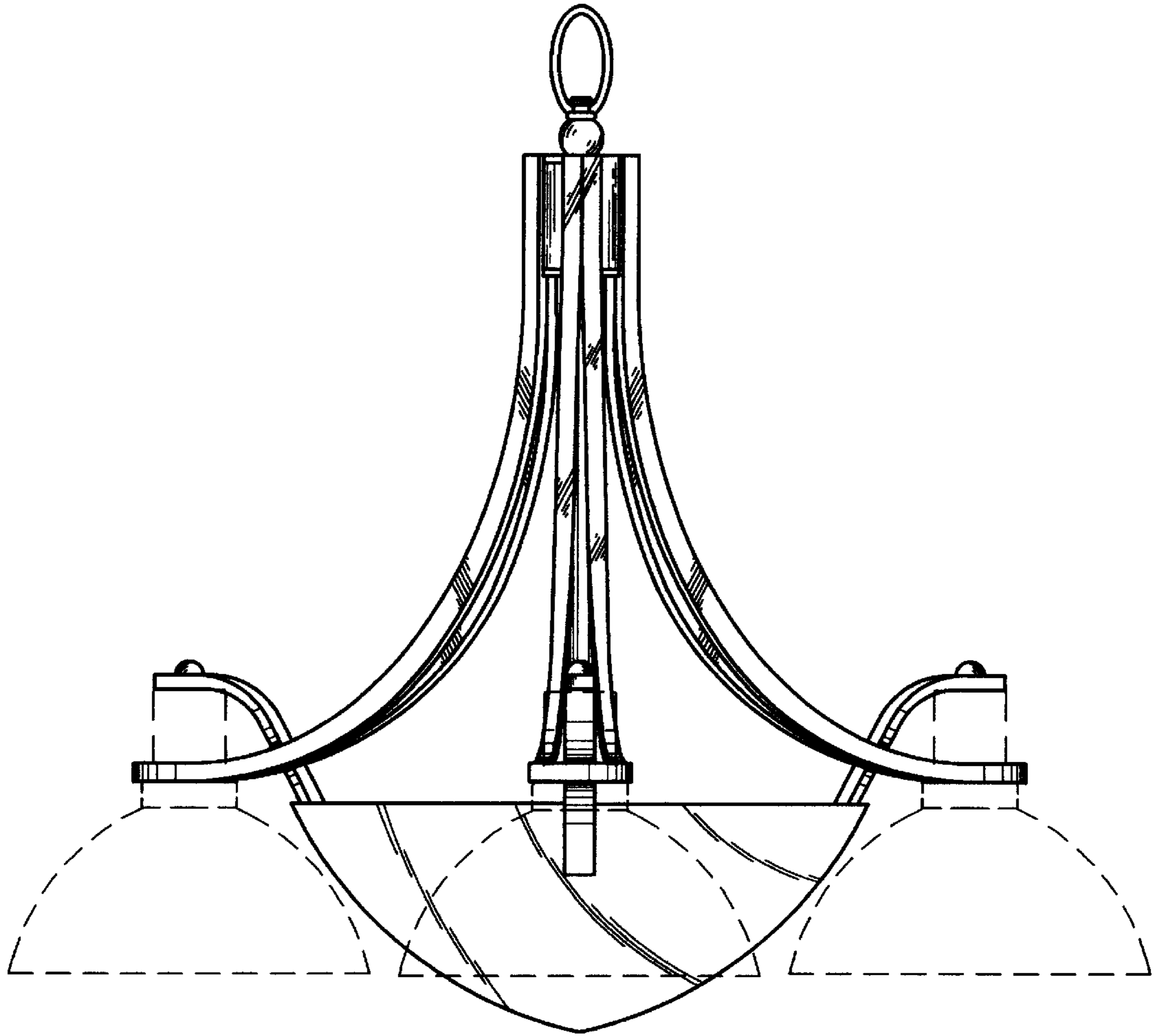


FIG. 3

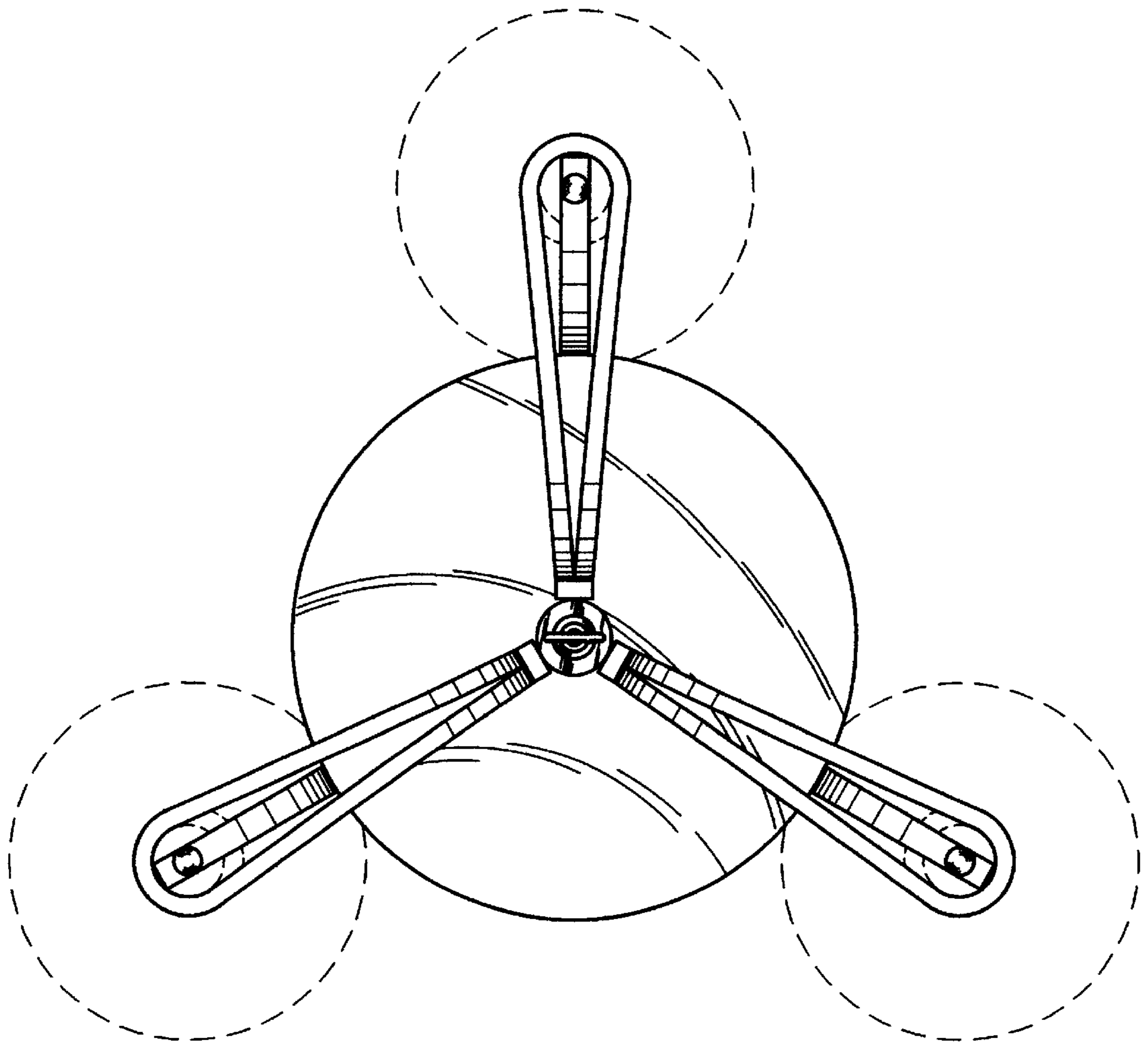


FIG. 4

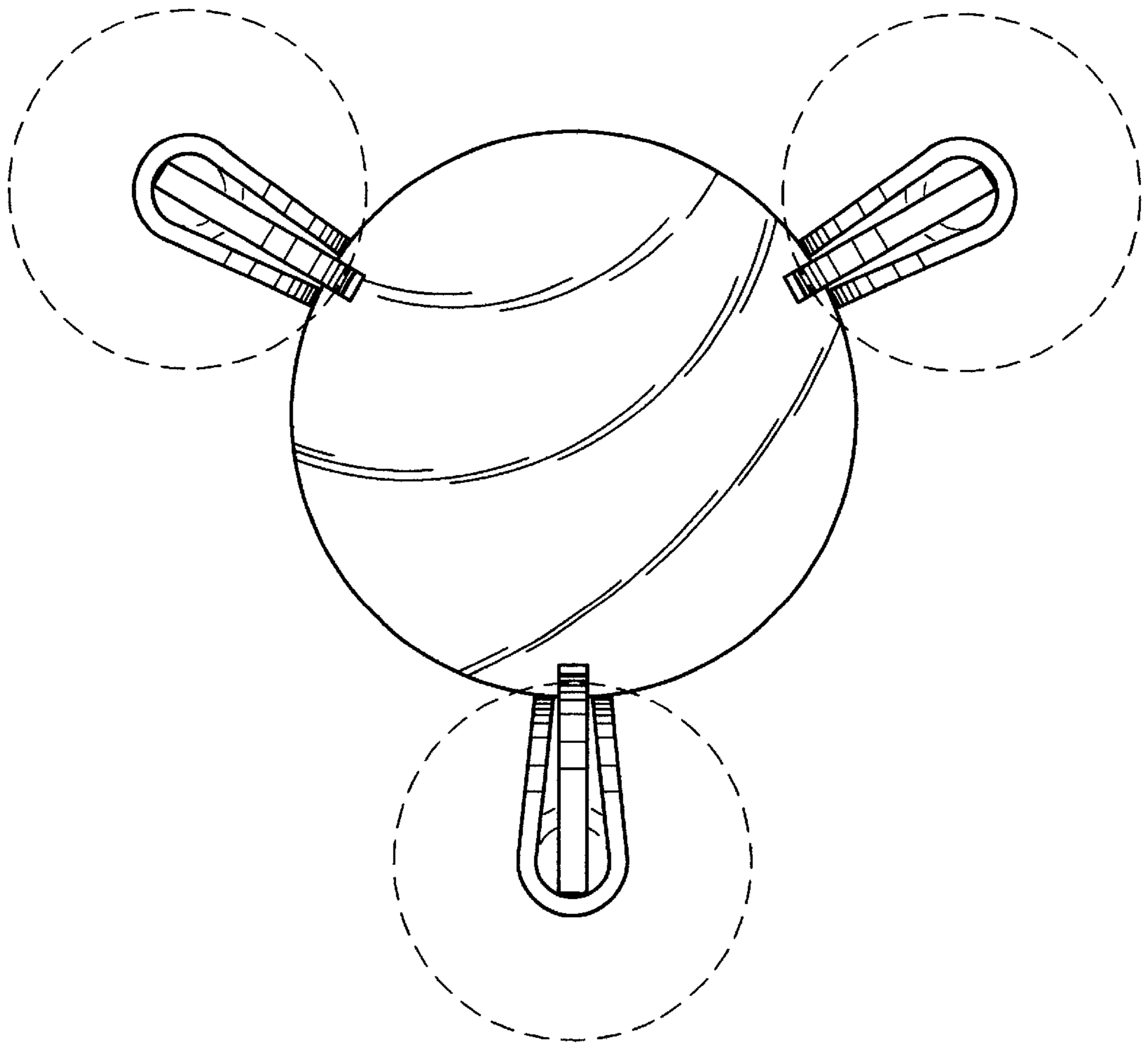


FIG. 5