



US00D489472S

(12) **United States Design Patent**
Newhouse et al.

(10) **Patent No.:** **US D489,472 S**

(45) **Date of Patent:** **** May 4, 2004**

(54) **LIGHT FIXTURE**

D401,001 S * 11/1998 Herst et al. D26/77

(75) Inventors: **Thomas J. Newhouse**, Grand Rapids, MI (US); **Ayse Birsal**, New York, NY (US)

FOREIGN PATENT DOCUMENTS

WO WO 00/21412 4/2000

OTHER PUBLICATIONS

(73) Assignee: **Herman Miller Inc.**, Zeeland, MI (US)

Peerless Lighting Corporation Catalog (c)1988; "Applications and Recommendations" insert, p. 7, suspended light fixture in all four photographs.*

(**) Term: **14 Years**

* cited by examiner

(21) Appl. No.: **29/169,629**

Primary Examiner—Clare E. Hefflin

(22) Filed: **Oct. 23, 2002**

(74) *Attorney, Agent, or Firm*—Brinks Hofer Gilson & Lione

Related U.S. Application Data

(62) Division of application No. 29/143,541, filed on Jun. 15, 2001, now Pat. No. Des. 469,206.

(57) **CLAIM**

(51) **LOC (7) Cl.** **26-05**

We claim the ornamental design for a light fixture, as shown and described.

(52) **U.S. Cl.** **D26/75; D26/61; D26/92**

(58) **Field of Search** D26/63, 72, 75-78, D26/80, 83-92, 67-71; 362/217-220, 247, 147, 432, 404-408, 310, 326, 341, 346-353, 362, 363

DESCRIPTION

(56) **References Cited**

FIG. 1 is a perspective view of the light fixture of the present invention with the remaining environment shown in phantom line for illustrative purposes only;

FIG. 2 is a side view of the light fixture of the present invention;

FIG. 3 is a front view of the light fixture of the present invention;

FIG. 4 is a rear view of the light fixture of the present invention;

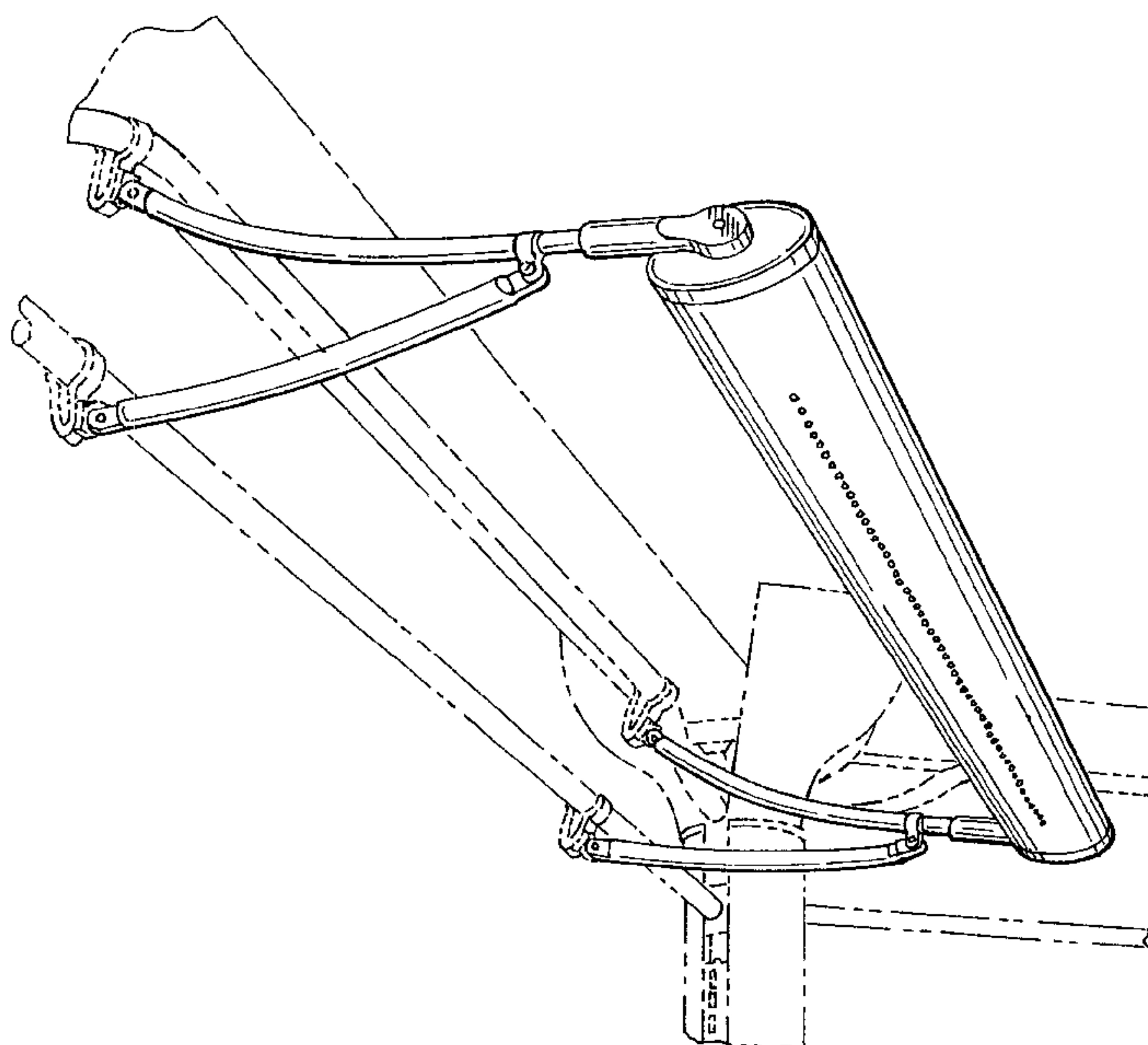
FIG. 5 is a top view of the light fixture of the present invention; and,

FIG. 6 is a bottom view of the light fixture of the present invention.

U.S. PATENT DOCUMENTS

- 3,108,751 A * 10/1963 Rodmaker et al. 362/427
- 3,642,238 A * 2/1972 Kapnek 362/432
- D300,953 S * 5/1989 Hughes et al. D26/78
- 4,994,943 A * 2/1991 Aspenwall 362/219
- D318,929 S * 8/1991 Herst et al. D26/76
- D334,438 S * 3/1993 Kua D26/63
- D344,605 S * 2/1994 Aspenwall D26/76
- D354,578 S * 1/1995 Houssin et al. D26/63
- D362,321 S * 9/1995 Houssin et al. D26/63
- D377,990 S * 2/1997 Nakano D26/65

1 Claim, 4 Drawing Sheets



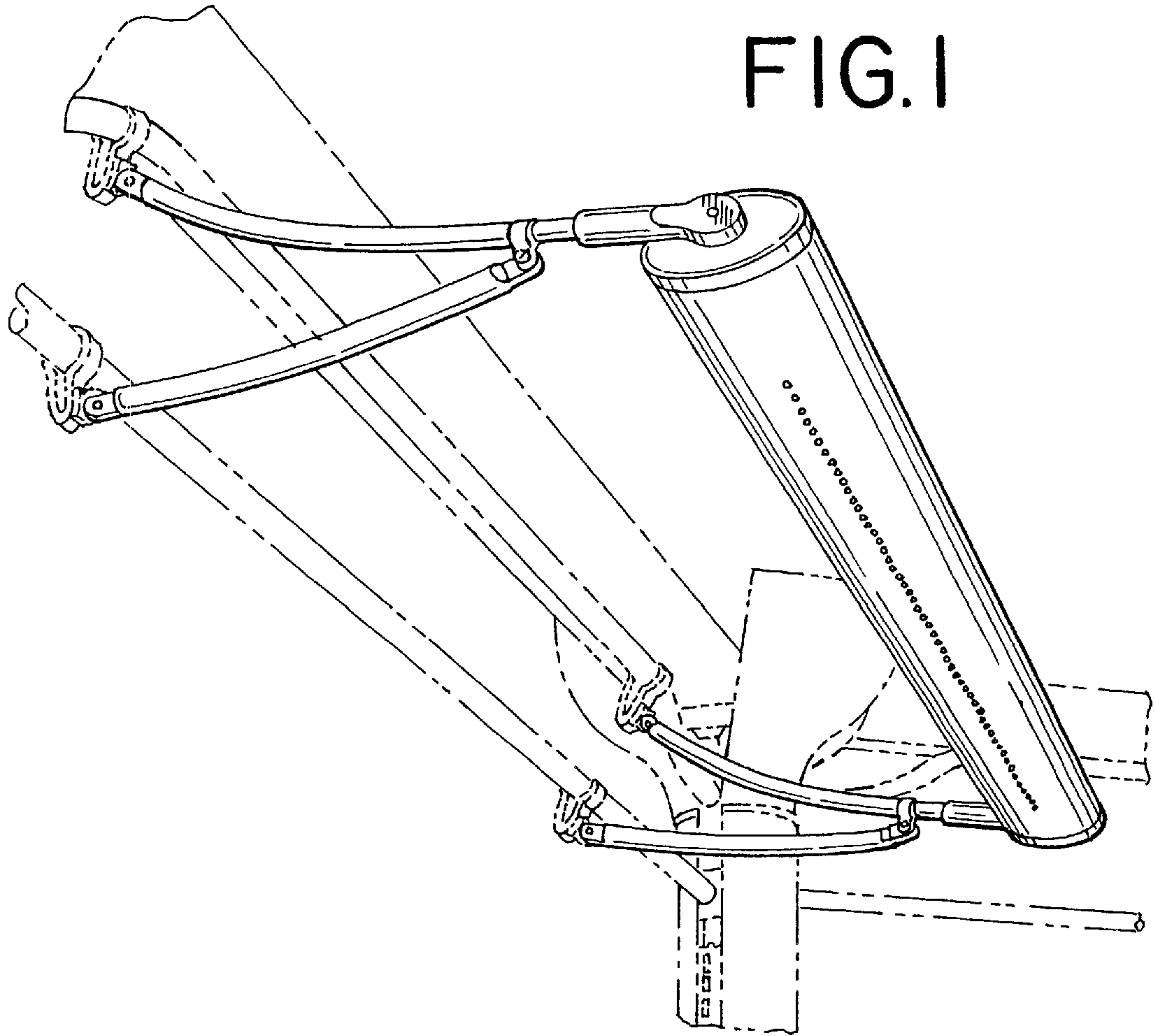


FIG. 1

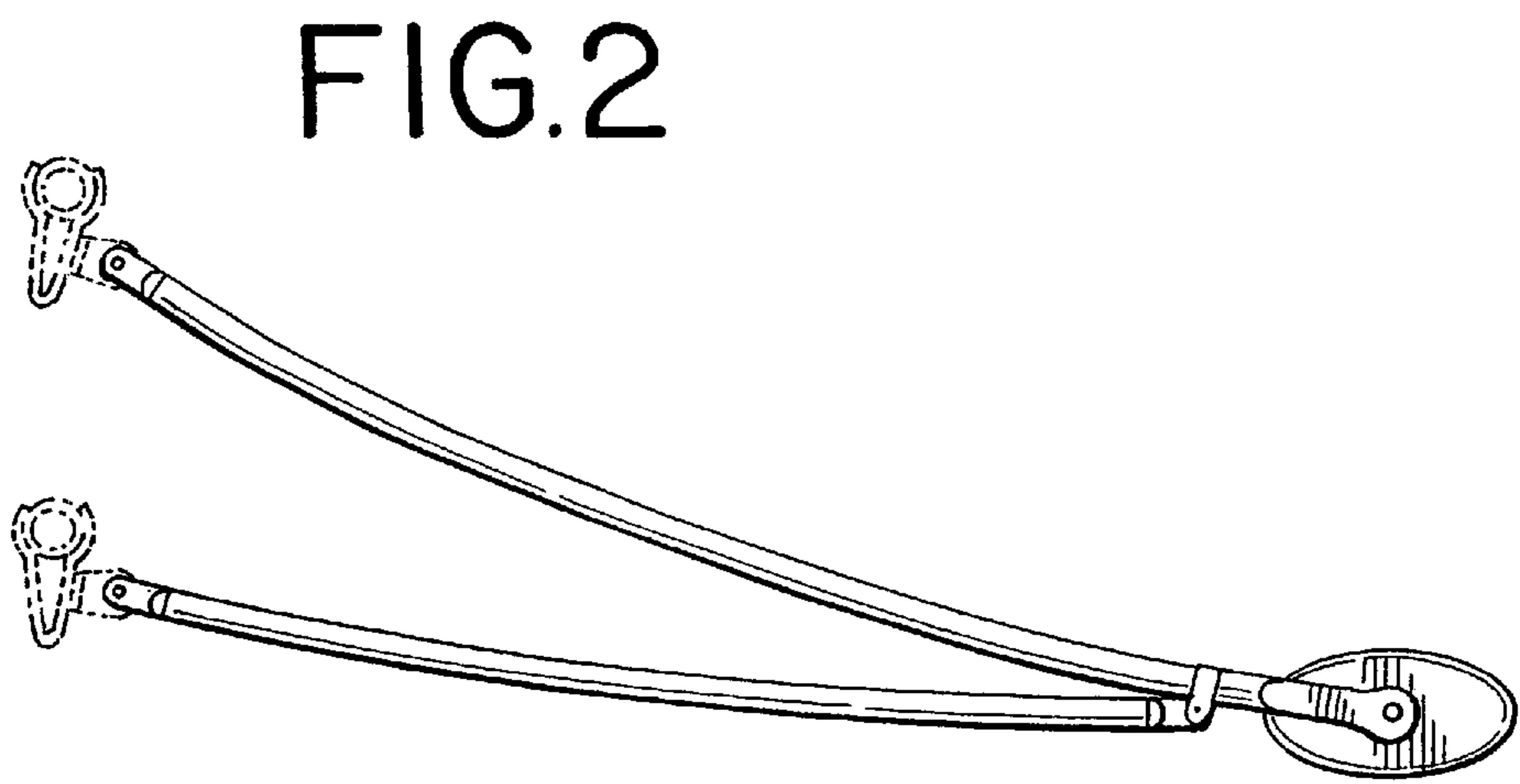


FIG. 2

FIG.3

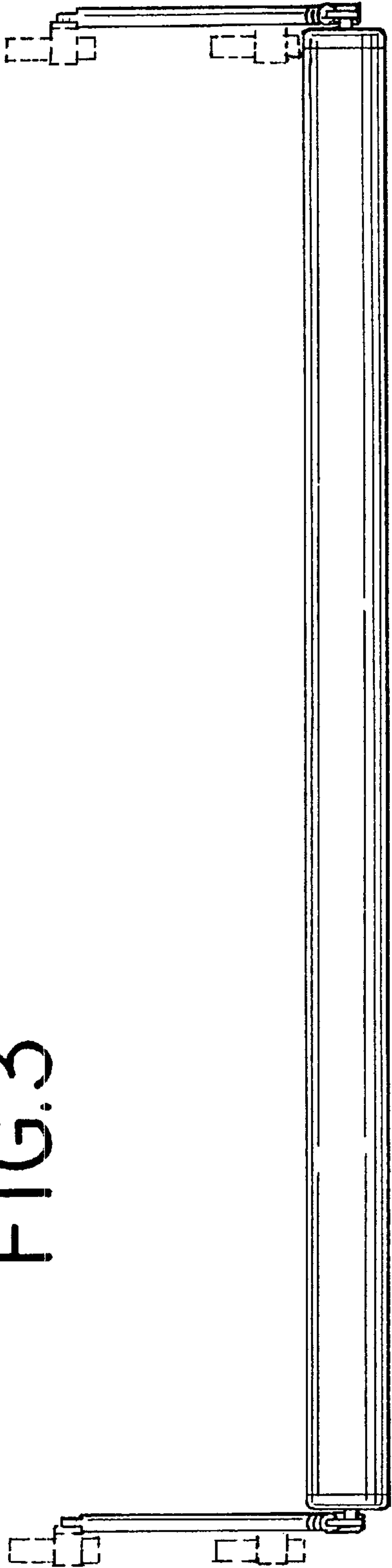


FIG.4

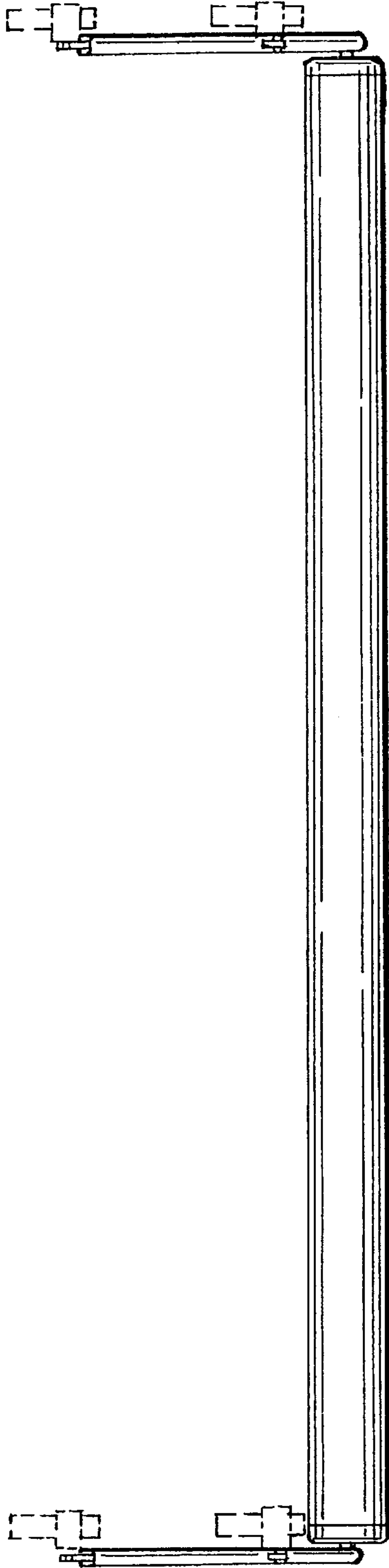


FIG. 5

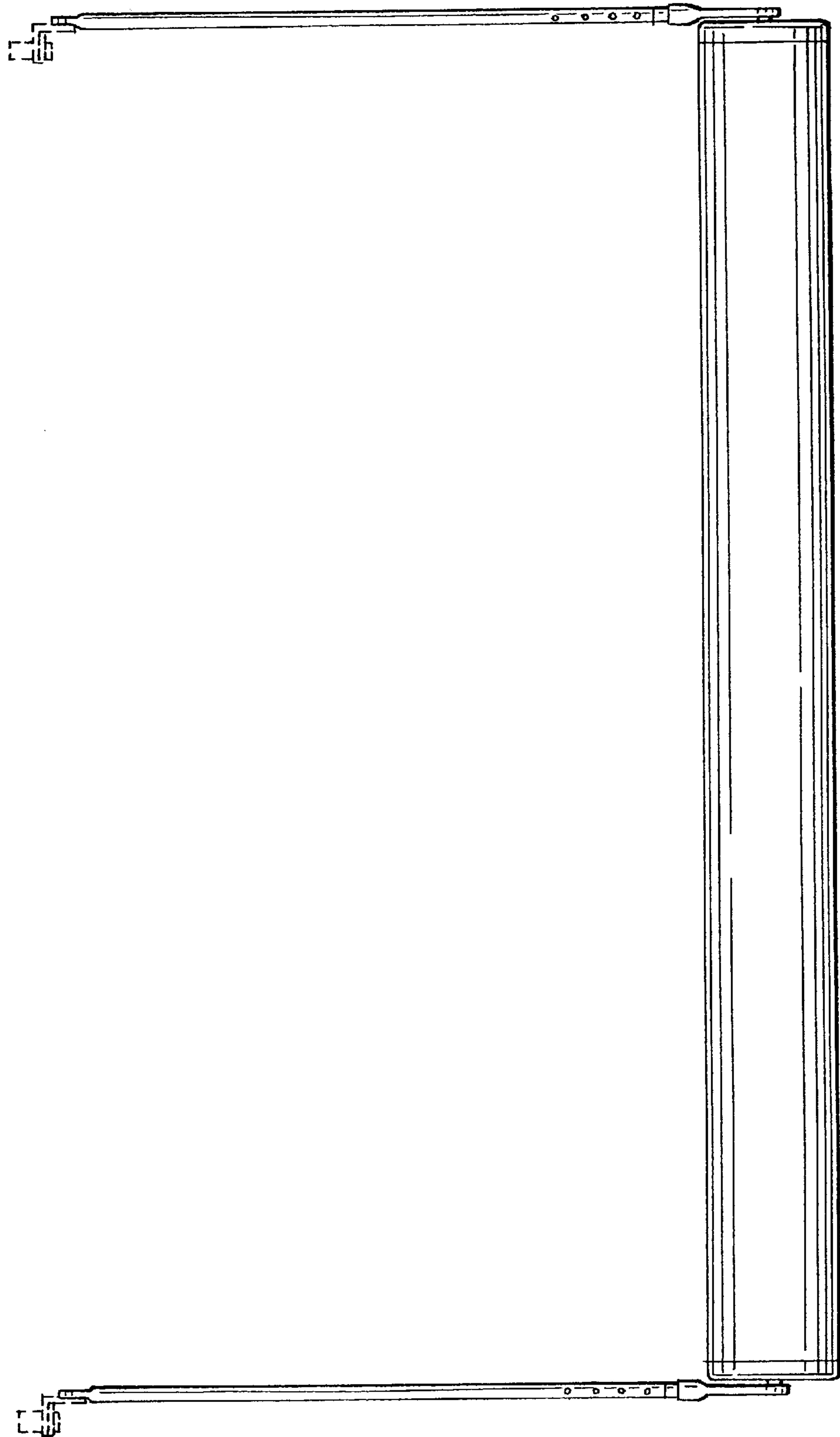


FIG. 6

