



US00D489471S

(12) **United States Design Patent**
Huang

(10) **Patent No.:** **US D489,471 S**

(45) **Date of Patent:** **** May 4, 2004**

(54) **CEILING FAN LIGHT KIT**

(75) Inventor: **Hsiao-ching Huang**, Memphis, TN
(US)

(73) Assignee: **Hunter Fan Company**, Memphis, TN
(US)

(**) Term: **14 Years**

(21) Appl. No.: **29/182,392**

(22) Filed: **May 23, 2003**

(51) **LOC (7) Cl.** **26-05**

(52) **U.S. Cl.** **D26/59**

(58) **Field of Search** D23/411, 377,
D23/379, 385; 416/5; D26/81-88, 72, 59;
392/364; 362/96

(56) **References Cited**

U.S. PATENT DOCUMENTS

D457,285 S * 5/2002 Reidenbach D99/34
D478,183 S * 8/2003 Burns D26/59

OTHER PUBLICATIONS

Casablanca Fan Company 2002 Product Catalog p. 21
(Cathay), p. 24 (Brescia), p. 30 (Bella).

Hunter Fan Company 2002 Brochure, Outdoor Elements,
and 1930's Original.

* cited by examiner

Primary Examiner—Lisa Lichtenstein
(74) *Attorney, Agent, or Firm*—Baker Donelson

(57) **CLAIM**

The ornamental design for a ceiling fan light kit, as shown
and described.

DESCRIPTION

FIG. 1 is a perspective view of a ceiling fan light kit showing
my new design.

FIG. 2 is a left side view thereof.

FIG. 3 is a front view thereof.

FIG. 4 is a right side view thereof.

FIG. 5 is a rear view thereof.

FIG. 6 is a top view thereof; and,

FIG. 7 is a bottom view thereof.

The phantom lines are to indicate environment only and are
not intended to form a part of the claimed design.

1 Claim, 4 Drawing Sheets

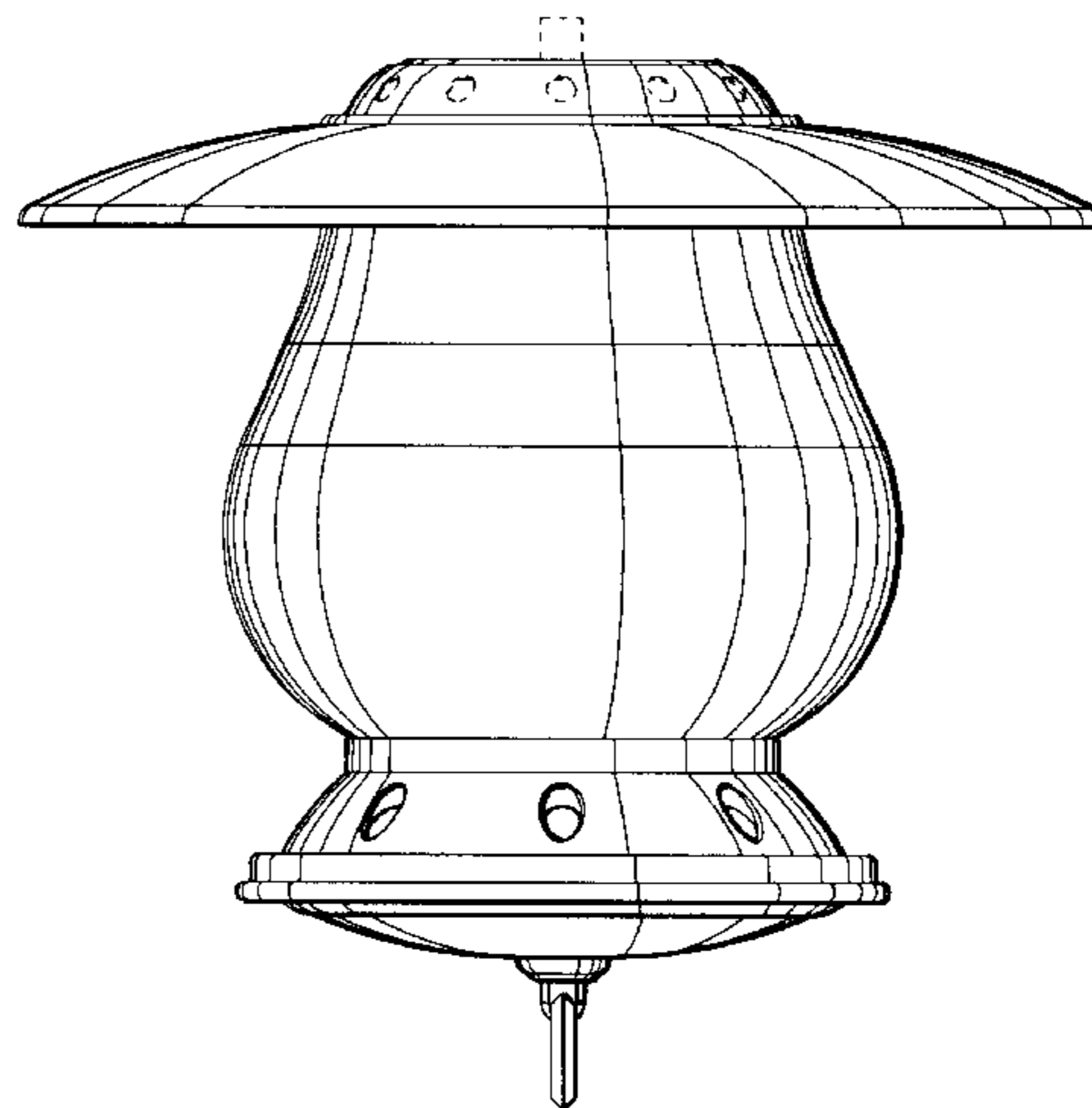
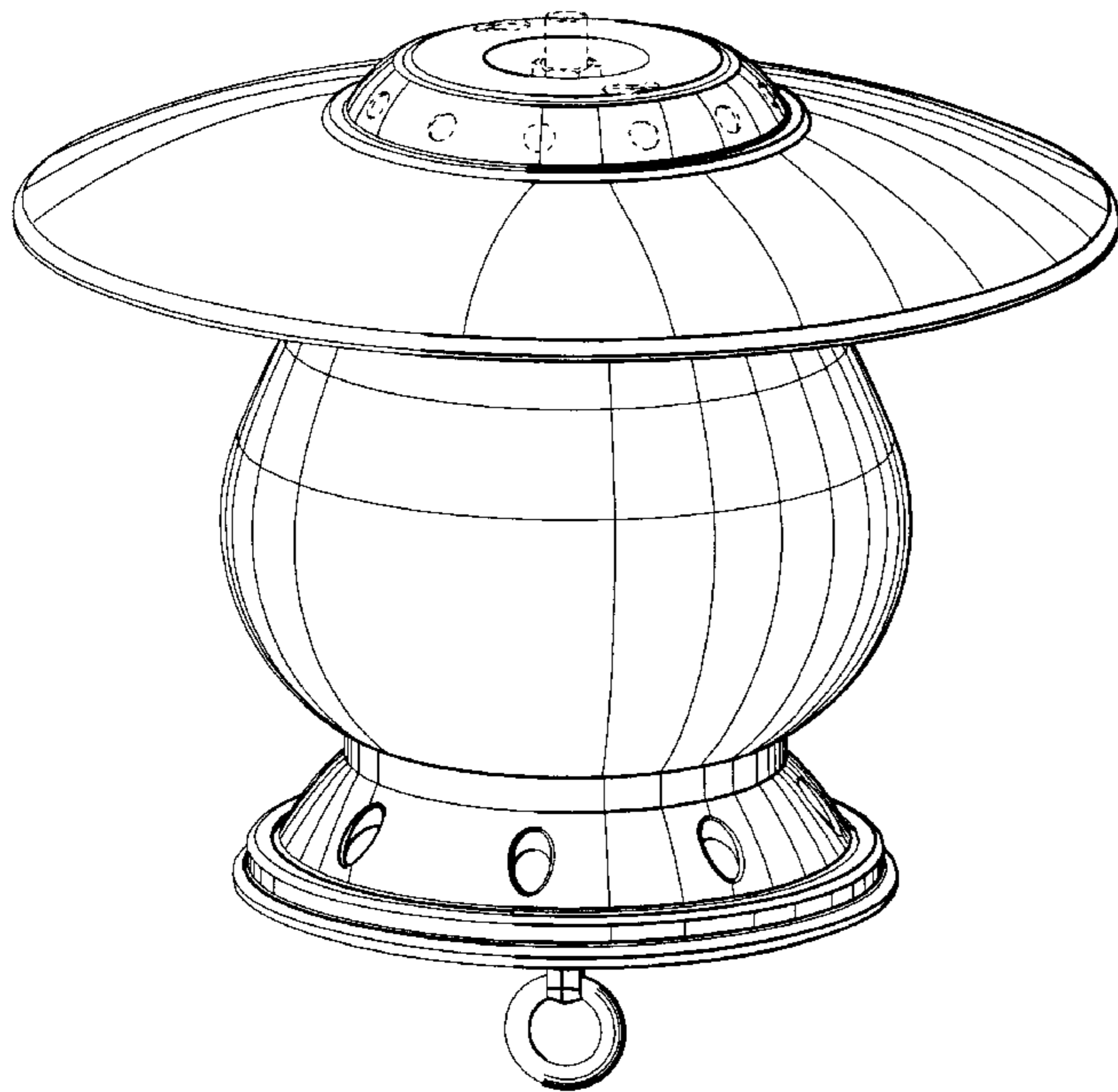


Fig. 1

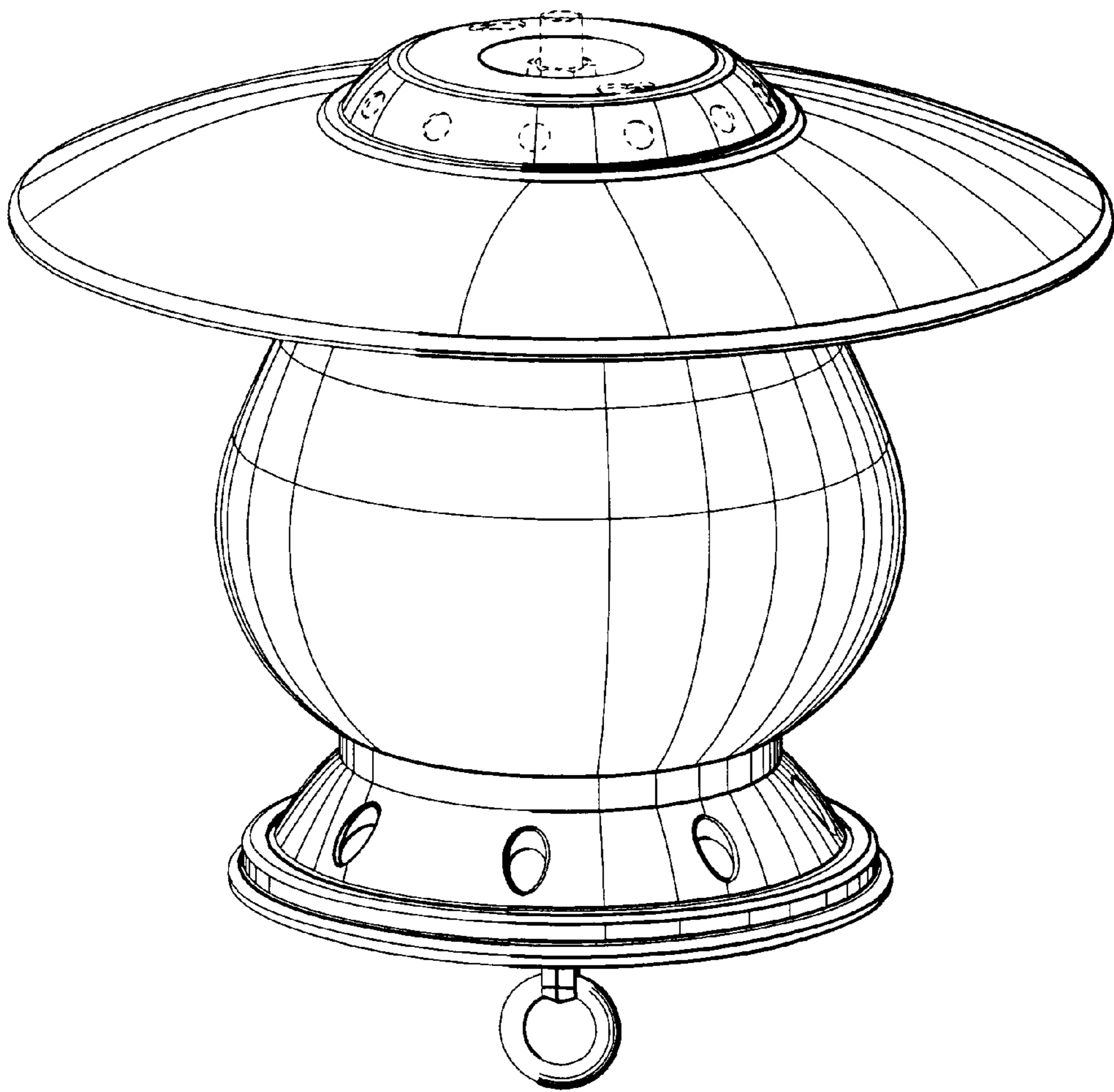


Fig. 2

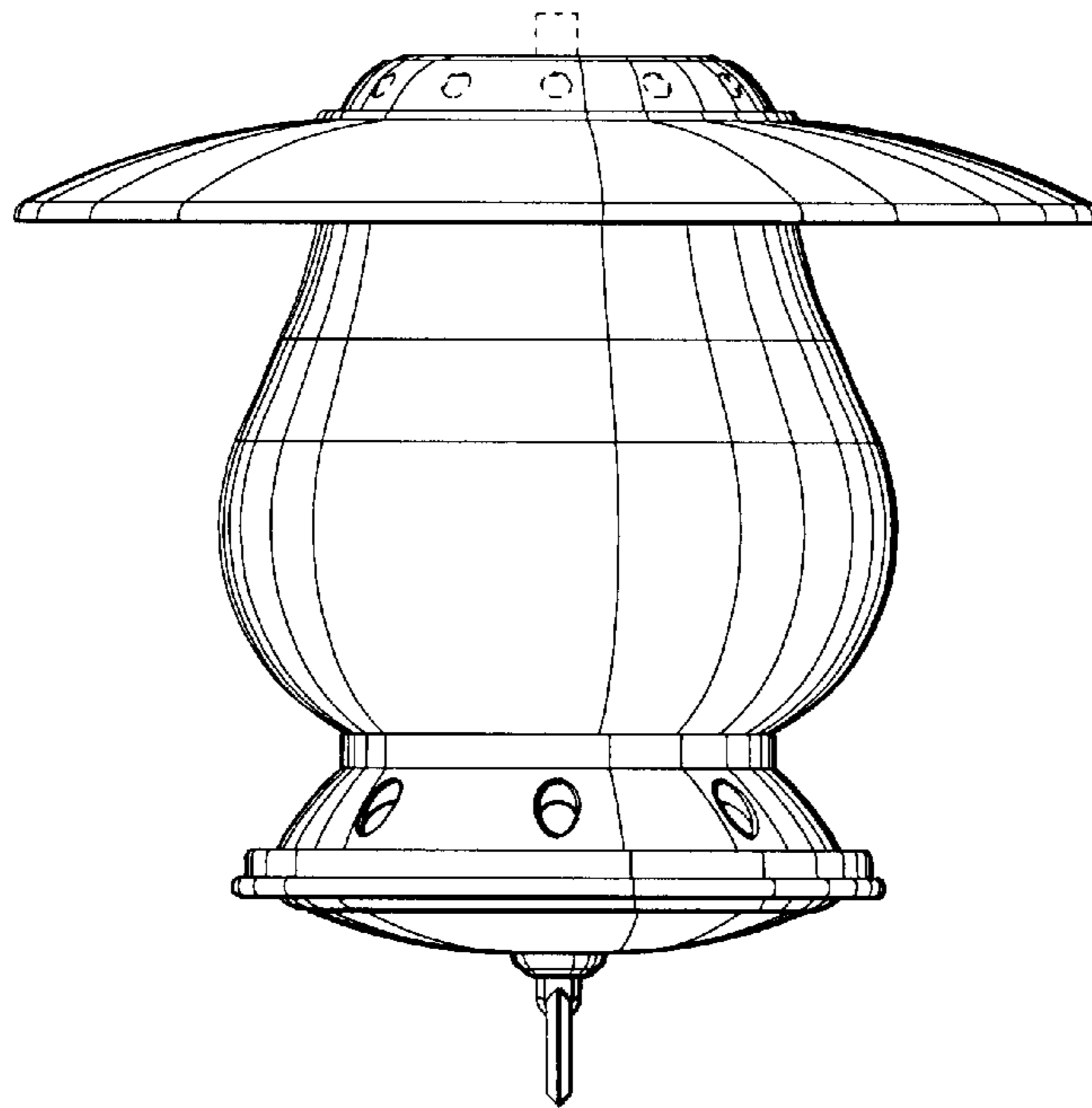


Fig. 3

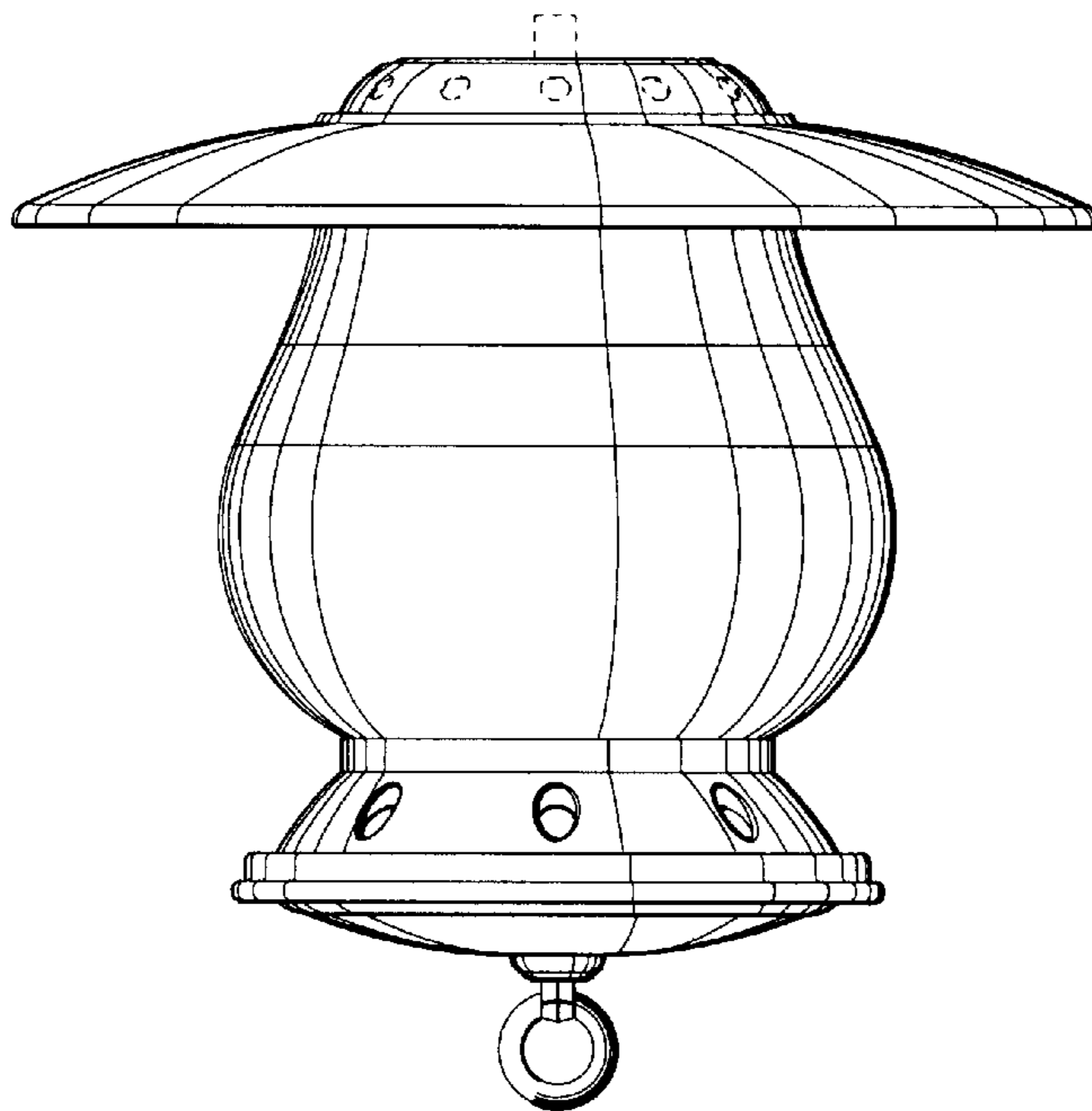


Fig. 4

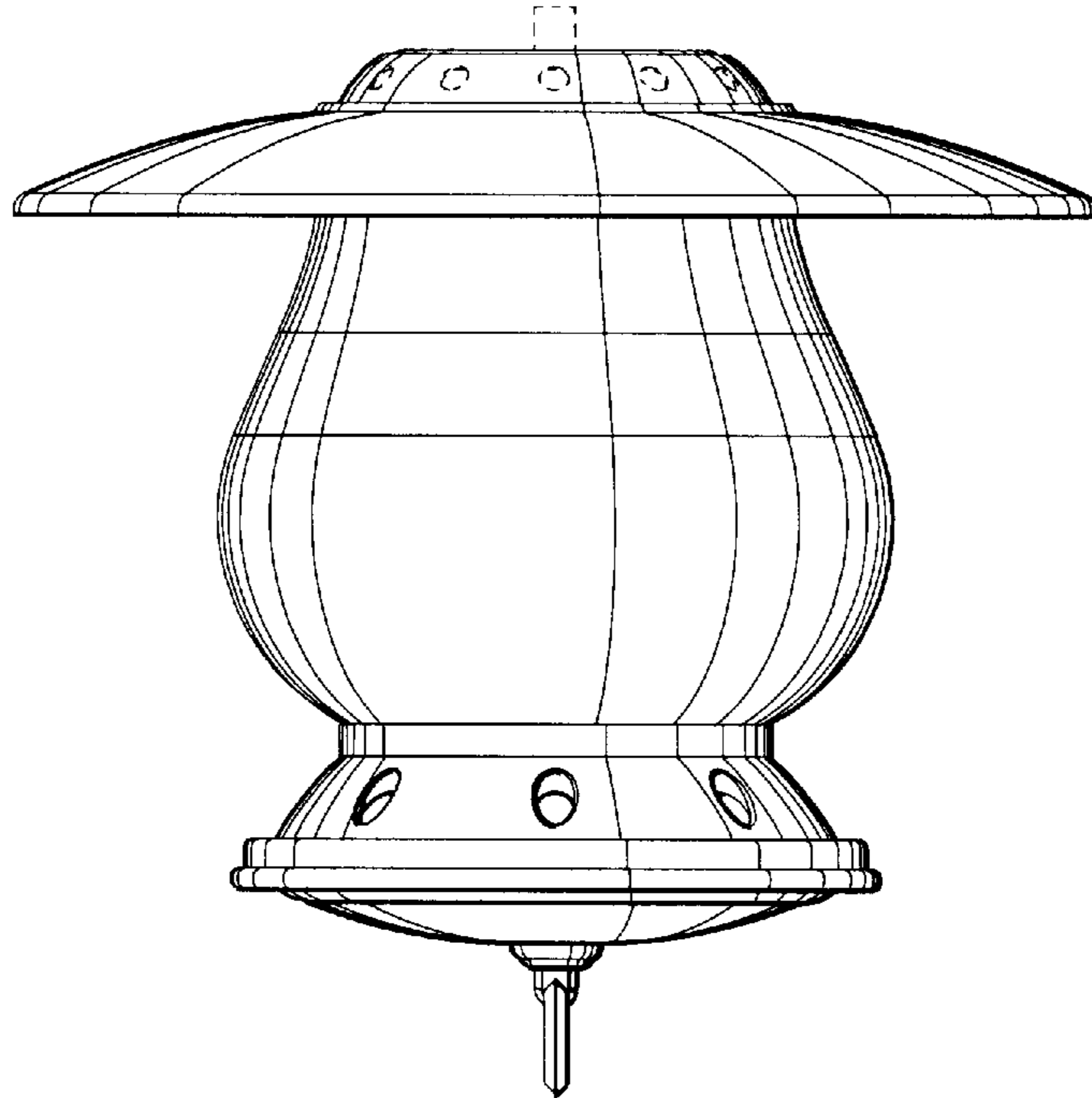


Fig. 5

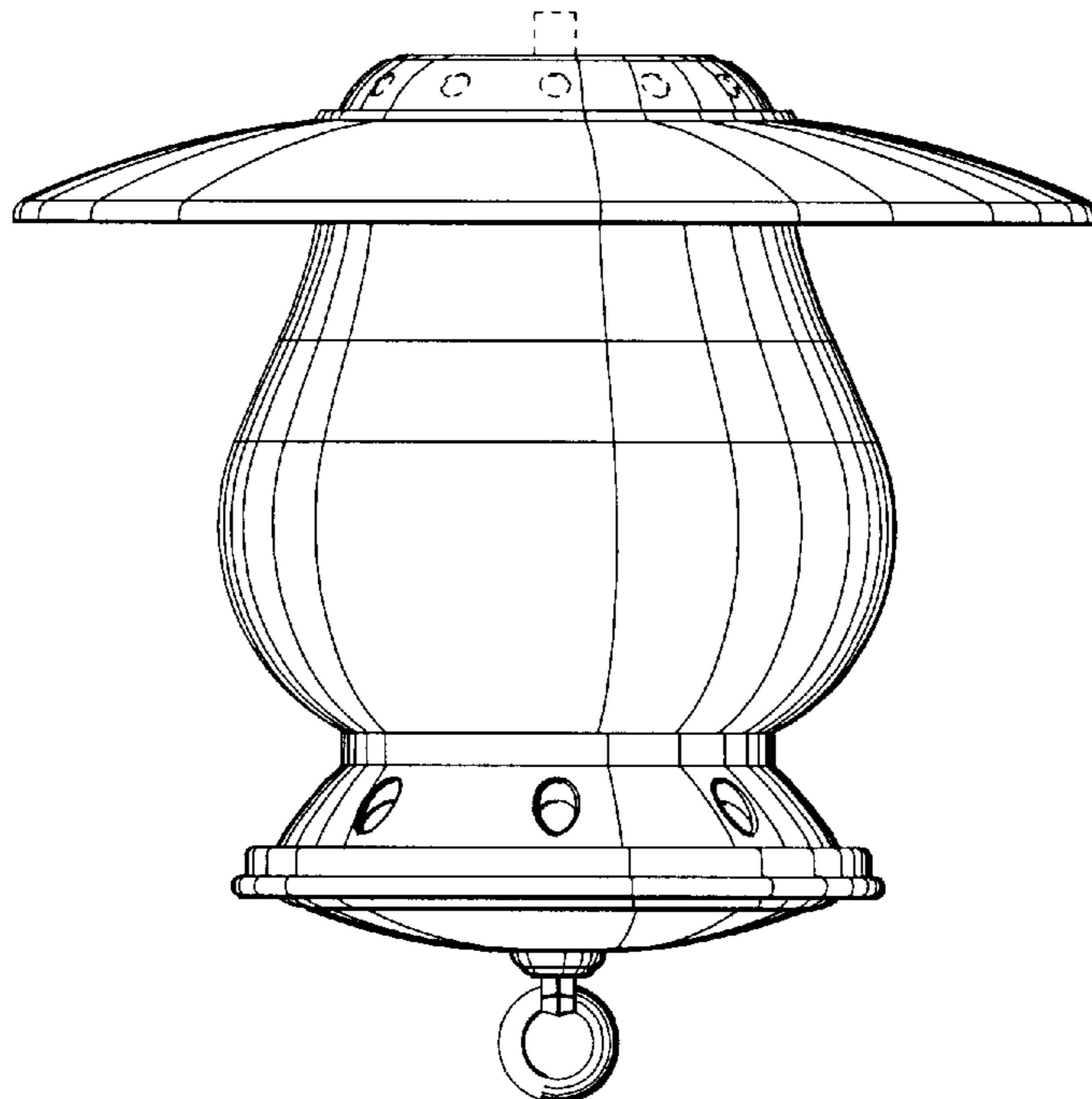


Fig. 6

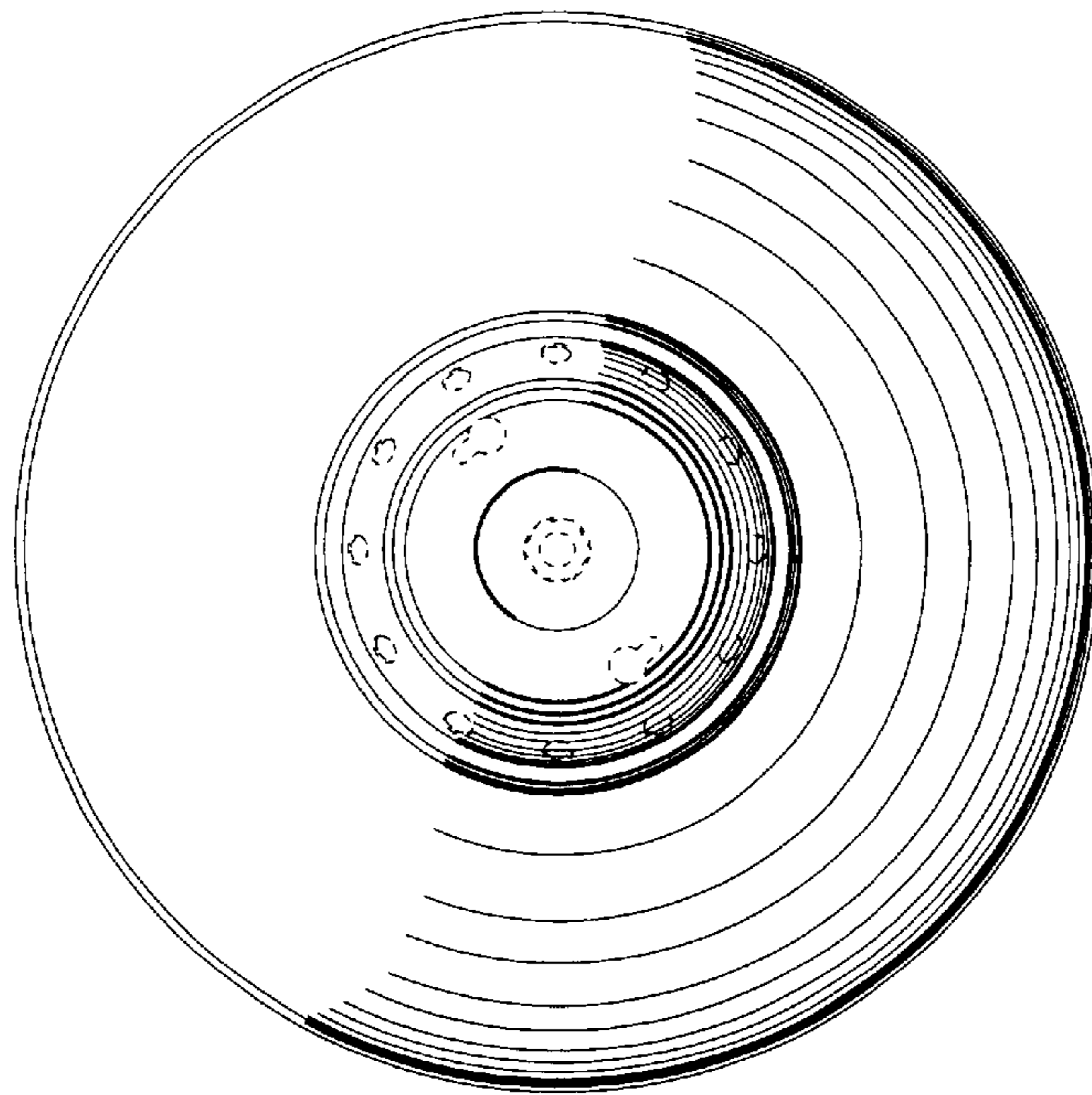


Fig. 7

