



US00D489468S

(12) **United States Design Patent**
Lo

(10) **Patent No.:** **US D489,468 S**

(45) **Date of Patent:** **** May 4, 2004**

(54) **MULTI-FUNCTION LANTERN**

D447,585 S * 9/2001 Dalton et al. D26/37

(75) Inventor: **Ying-Hoi Eddie Lo, Tsuen Wan (HK)**

* cited by examiner

(73) Assignee: **Lomak Industrial Col., Ltd., Hong Kong (HK)**

Primary Examiner—Marcus A. Jackson
(74) *Attorney, Agent, or Firm*—Burns, Doane, Swecker & Mathis, L.L.P.

(**) Term: **14 Years**

(57) **CLAIM**

(21) Appl. No.: **29/169,468**

The ornamental design for a “multi-function lantern”, as shown and described.

(22) Filed: **Oct. 22, 2002**

(51) **LOC (7) Cl.** **26-02**

(52) **U.S. Cl.** **D26/37**

(58) **Field of Search** D26/37–50; 362/157,
362/158, 171, 172, 173, 183–208

DESCRIPTION

FIG. 1 is a front view of a “multi-function lantern” showing my design;

FIG. 2 is a back side view thereof;

FIG. 3 is a left side view thereof;

FIG. 4 is a right side view thereof;

FIG. 5 is a top plan view thereof; and,

FIG. 6 is a bottom view thereof.

(56) **References Cited**

U.S. PATENT DOCUMENTS

- D404,154 S * 1/1999 Breit D26/37
- D404,158 S * 1/1999 Yuen D26/50
- D445,935 S * 7/2001 Shing D26/50

1 Claim, 6 Drawing Sheets

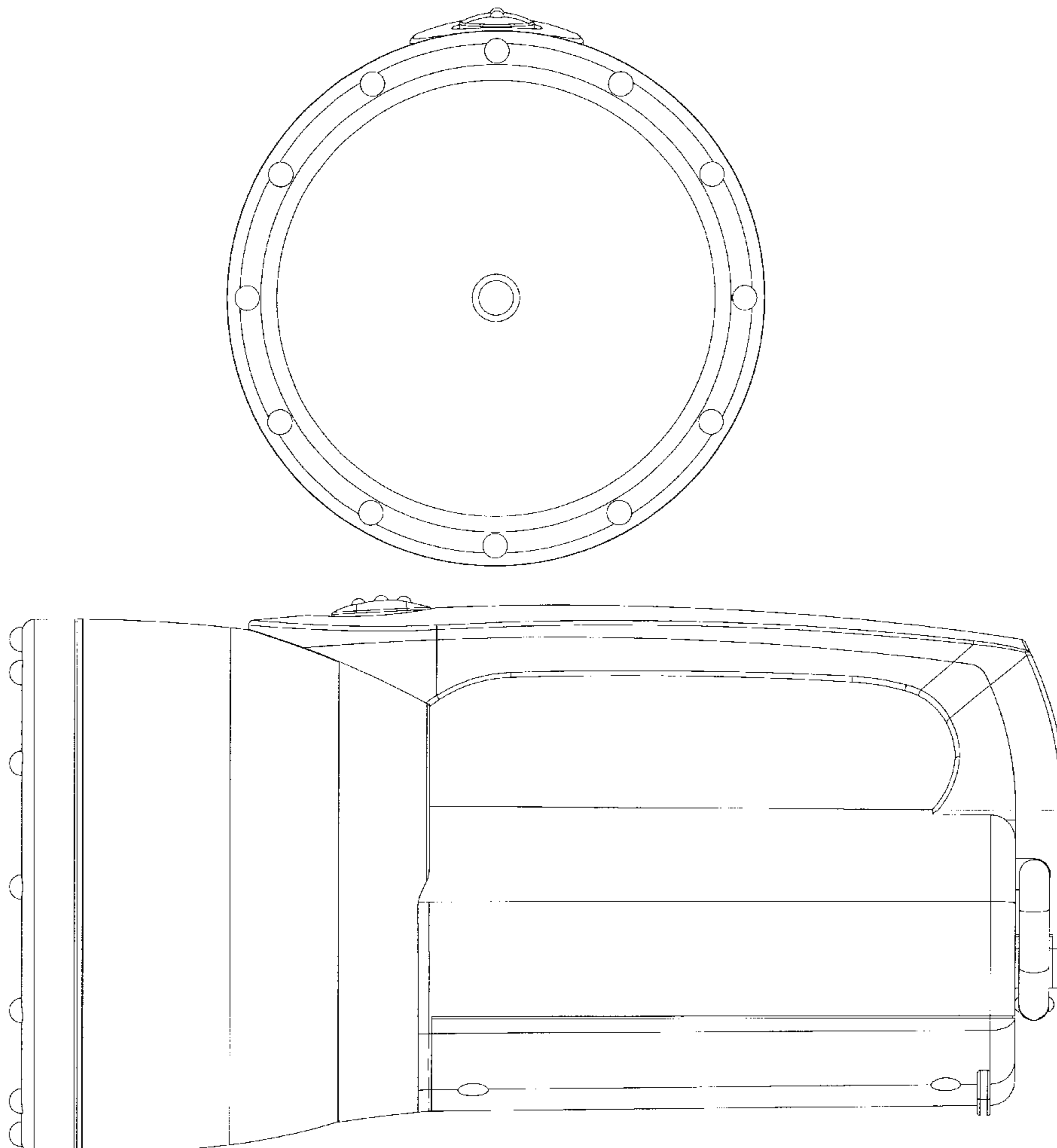


FIGURE 1

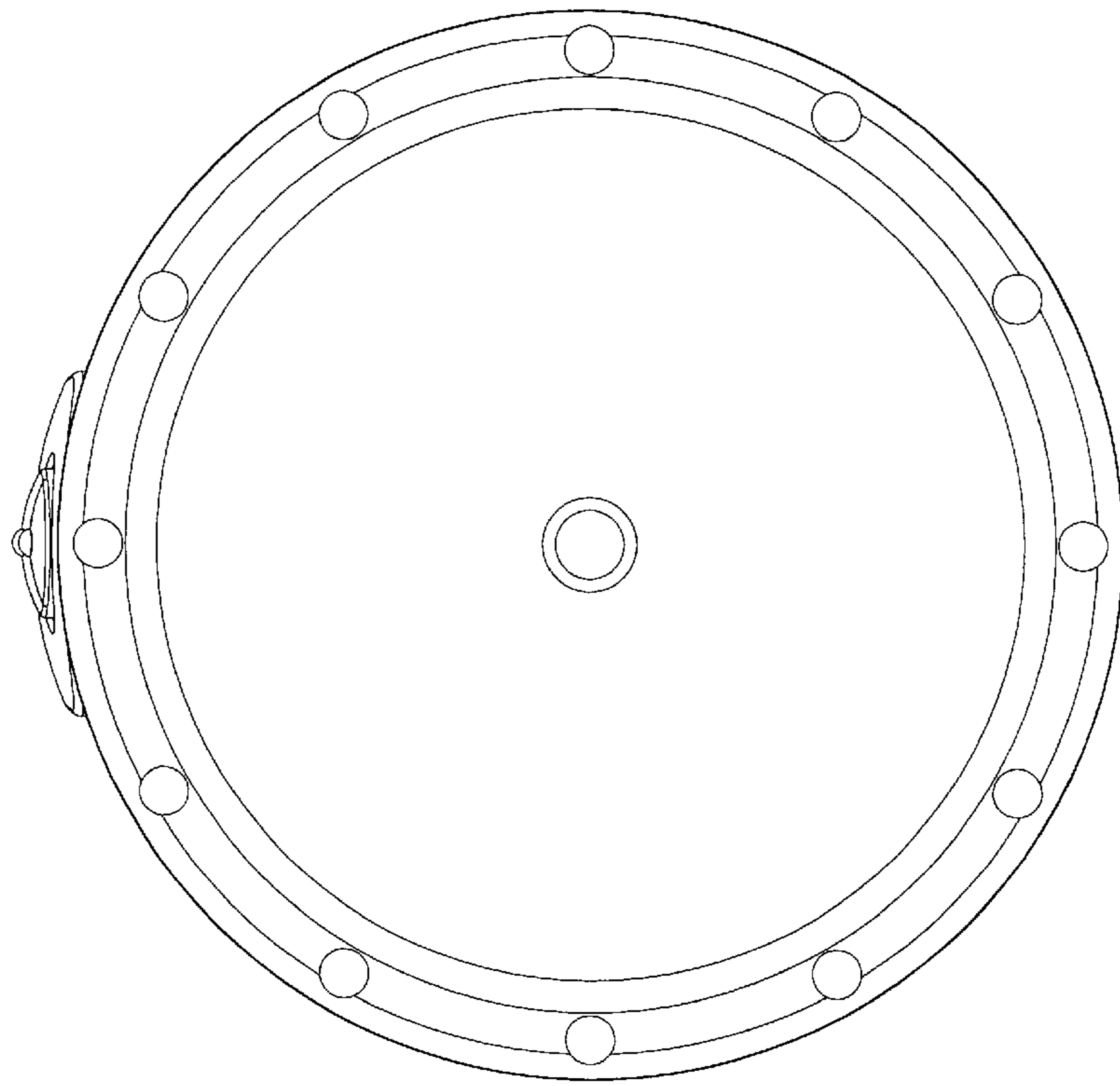
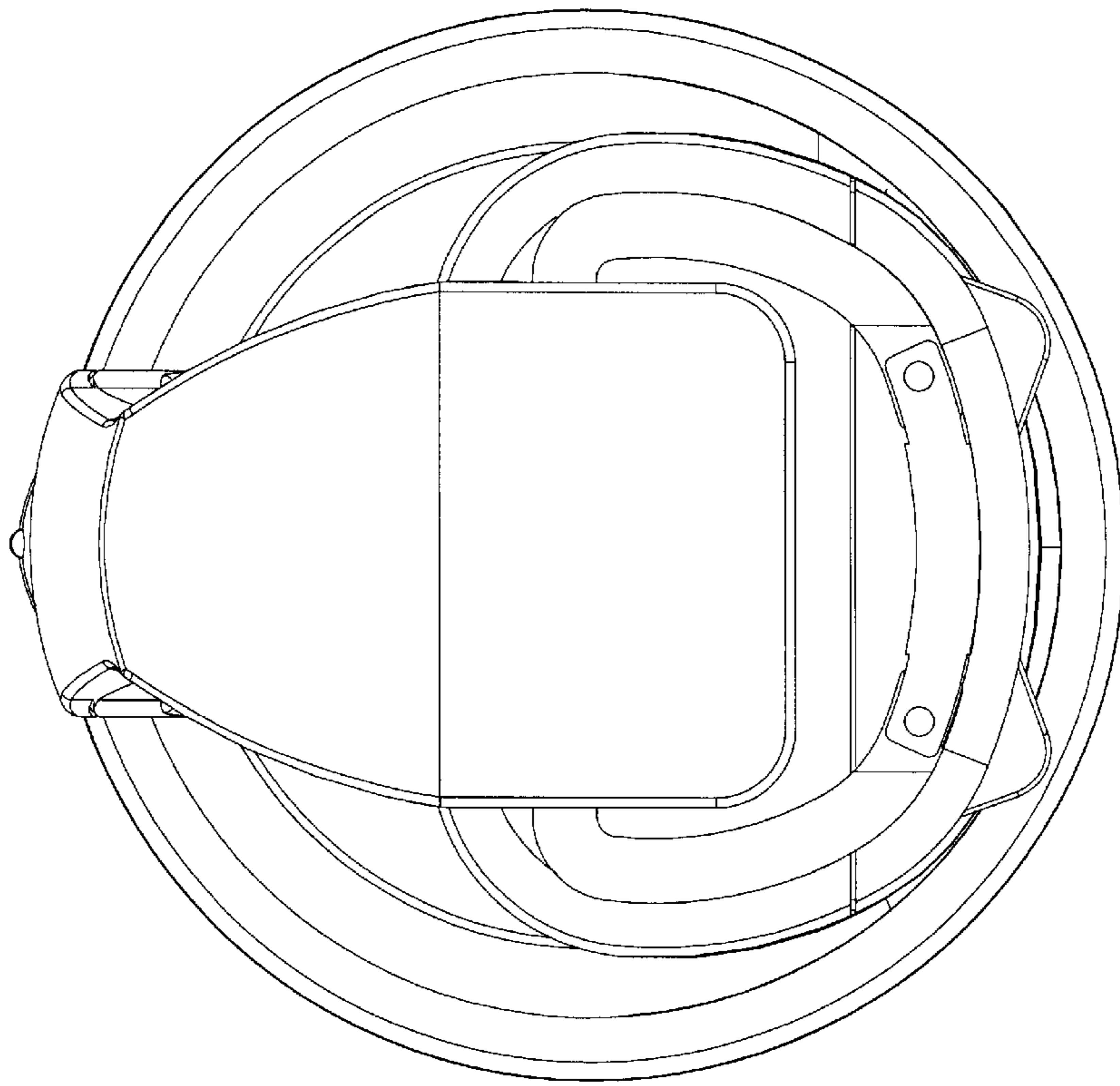


FIGURE 2



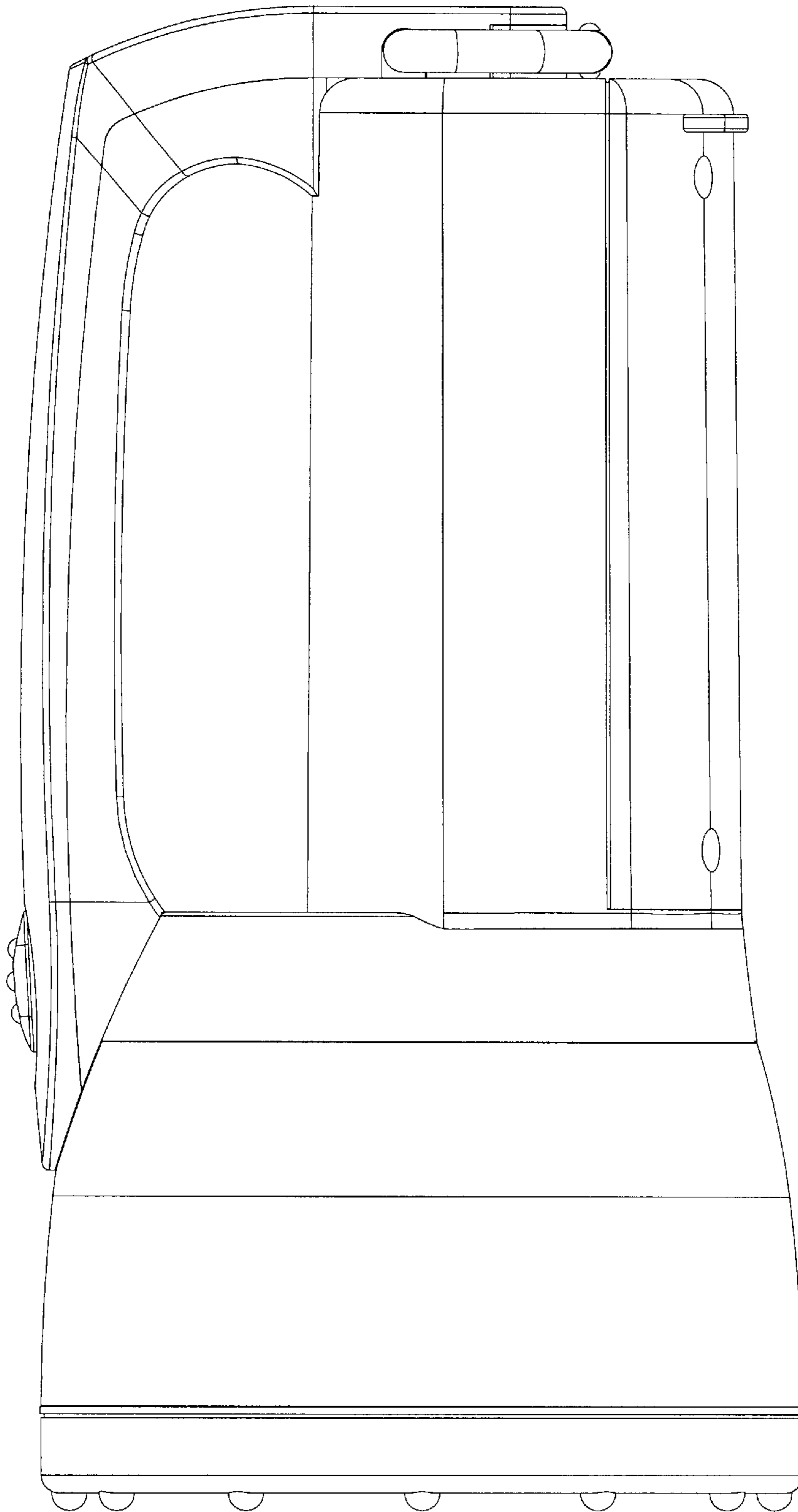
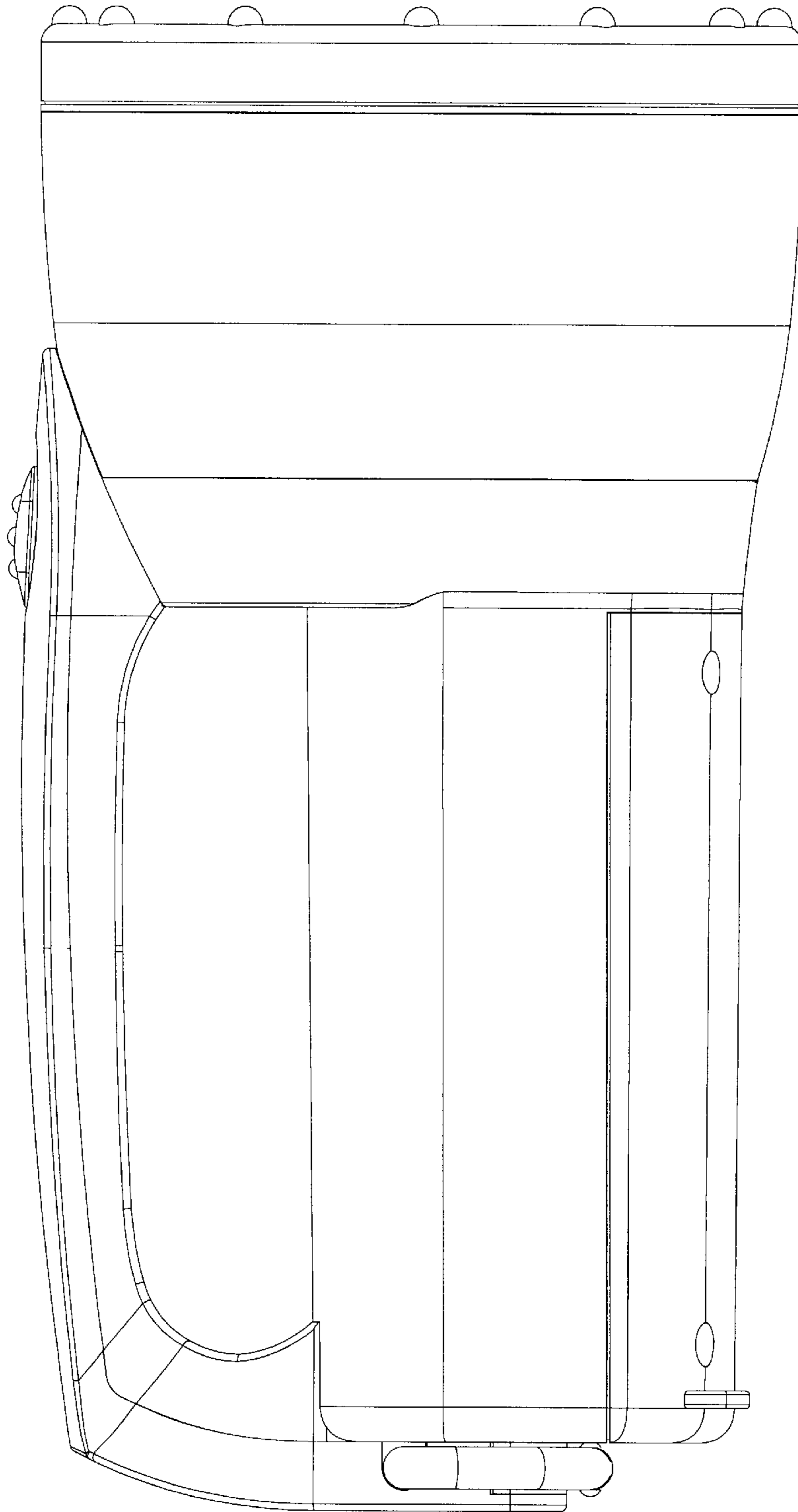


FIGURE 3

FIGURE 4



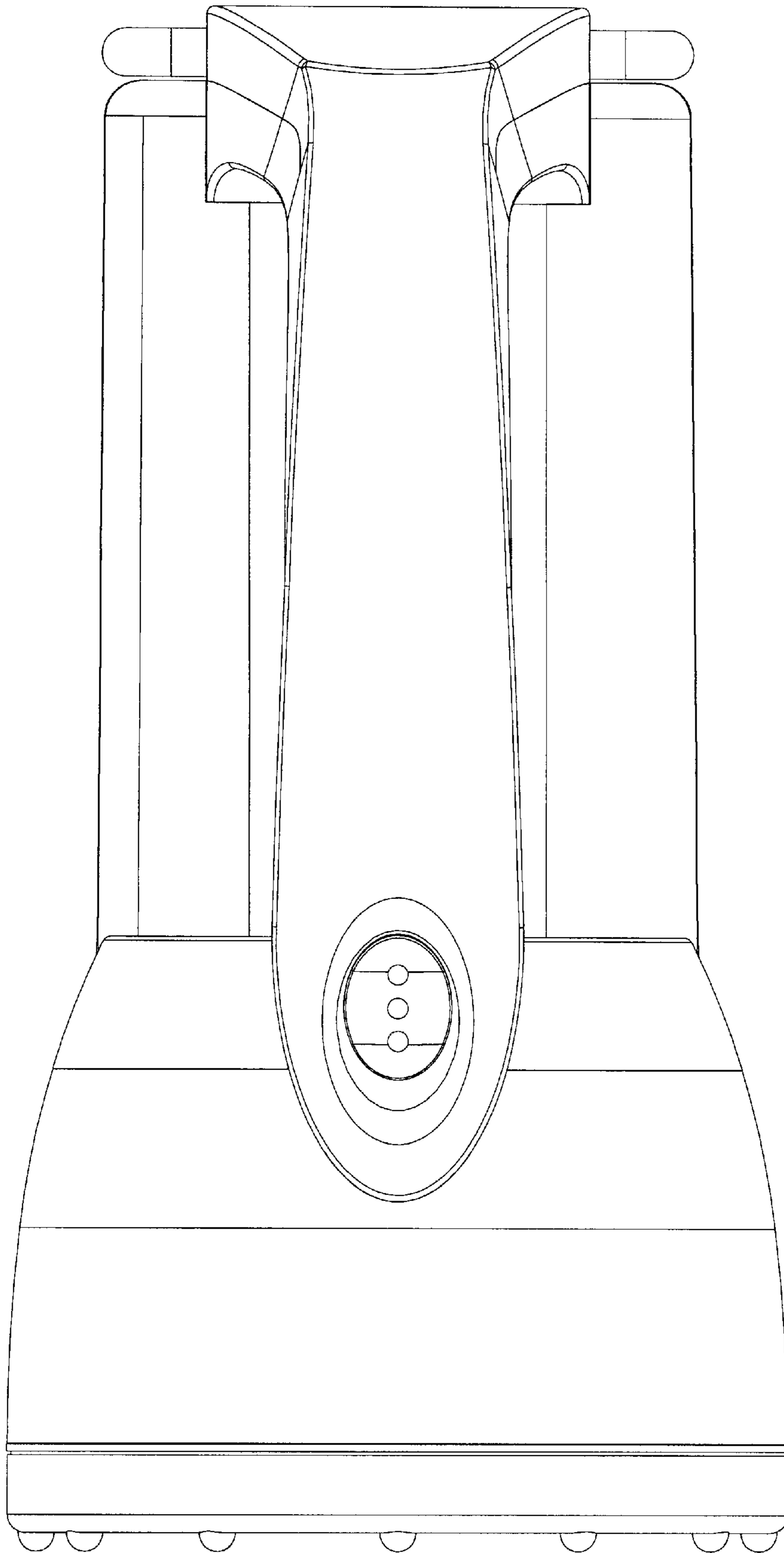


FIGURE 5

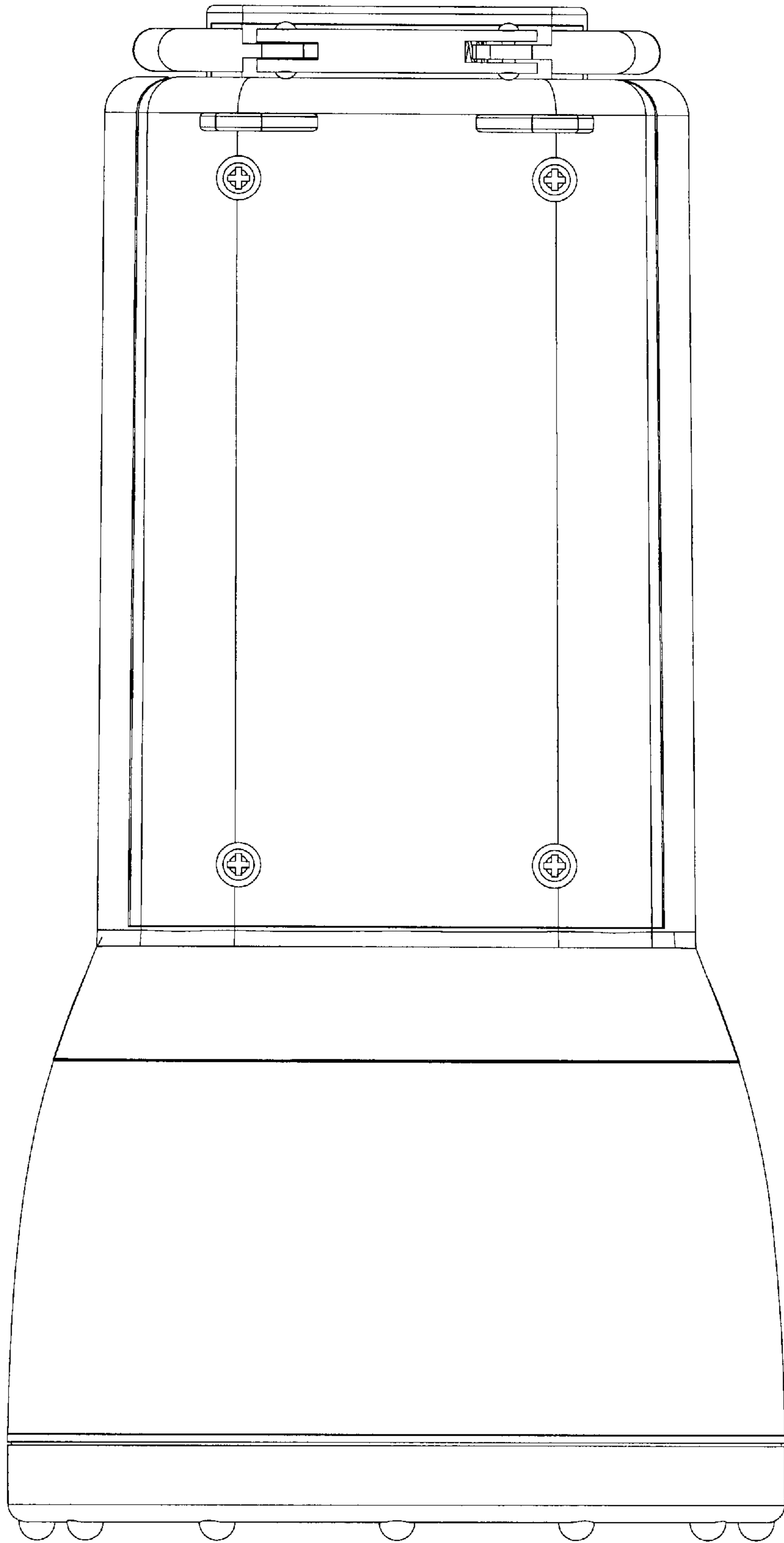


FIGURE 6