



US00D489467S

(12) **United States Design Patent**
Mackin

(10) **Patent No.:** **US D489,467 S**

(45) **Date of Patent:** **** May 4, 2004**

(54) **HANDLE FOR HANDLAMP**

(75) Inventor: **Michael P. Mackin**, Chicago, IL (US)

(73) Assignee: **Woodhead Industries, Inc.**, Deerfield, IL (US)

(**) Term: **14 Years**

(21) Appl. No.: **29/166,068**

(22) Filed: **Aug. 20, 2002**

(51) **LOC (7) Cl.** **26-02**

(52) **U.S. Cl.** **D26/37; D26/119**

(58) **Field of Search** **D26/37-50, 119;**
362/157, 158, 183, 396, 376, 377, 378,
387

(56) **References Cited**

U.S. PATENT DOCUMENTS

D251,751 S * 5/1979 Lawrence D26/119

D359,139 S * 6/1995 Kaczmarek D26/119

* cited by examiner

Primary Examiner—Marcus A. Jackson

(74) *Attorney, Agent, or Firm*—Emrich & Dithmar

(57) **CLAIM**

The ornamental design for a handle for handlamp, as shown and described in the drawing.

DESCRIPTION

FIG. 1 is a front view of a second embodiment of a handle for handlamp, showing my new design;

FIG. 2 is a right side view of the embodiment of the new design shown in FIG. 5;

FIG. 3 is a rear view of the embodiment of the new design shown in FIG. 5; and,

FIG. 4 is a left side view of the embodiment of the new design shown in FIG. 5.

The top and bottom of the handle are unadorned. Items shown in phantom are included to show applications only and form no part of the invention.

1 Claim, 2 Drawing Sheets

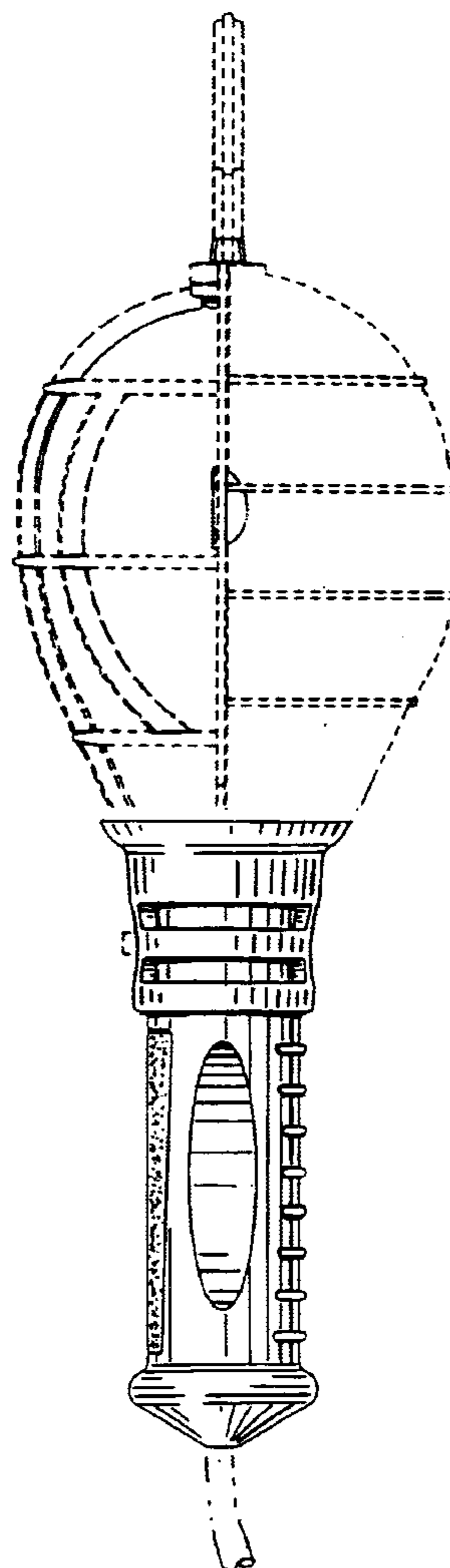
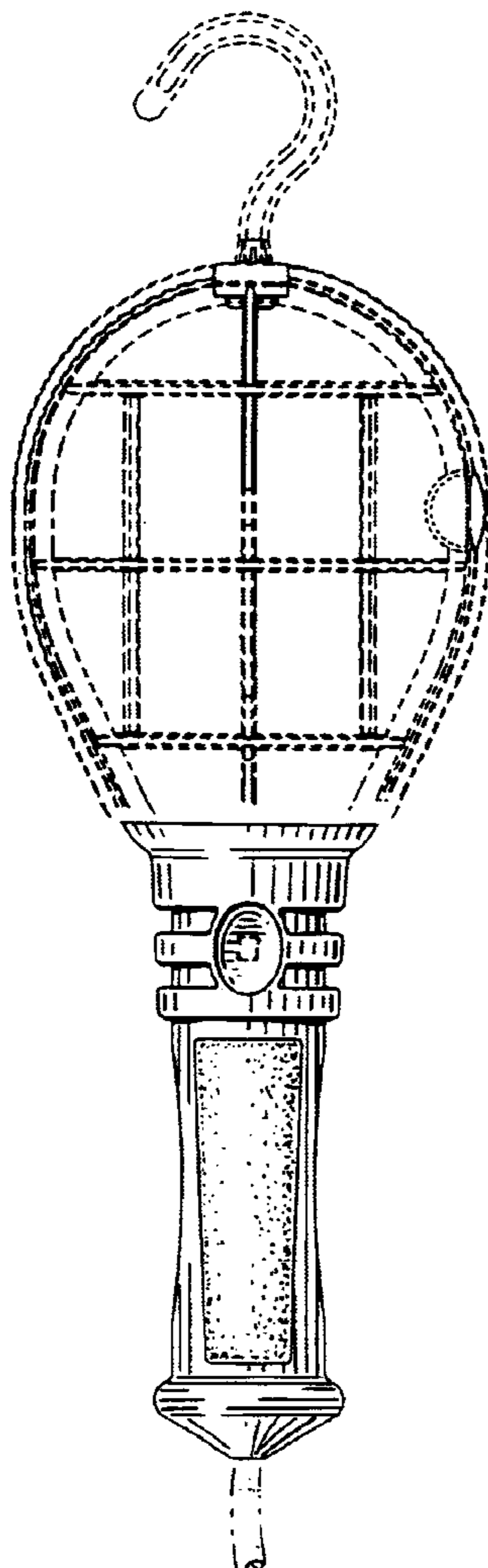


FIG. 1

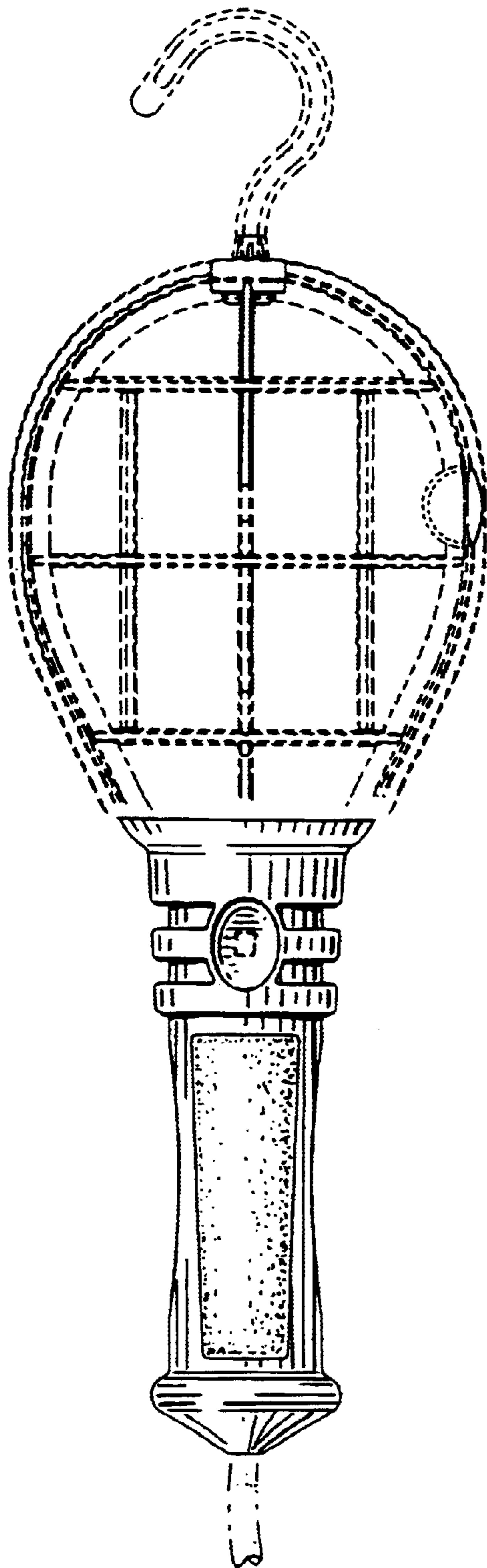


FIG. 2

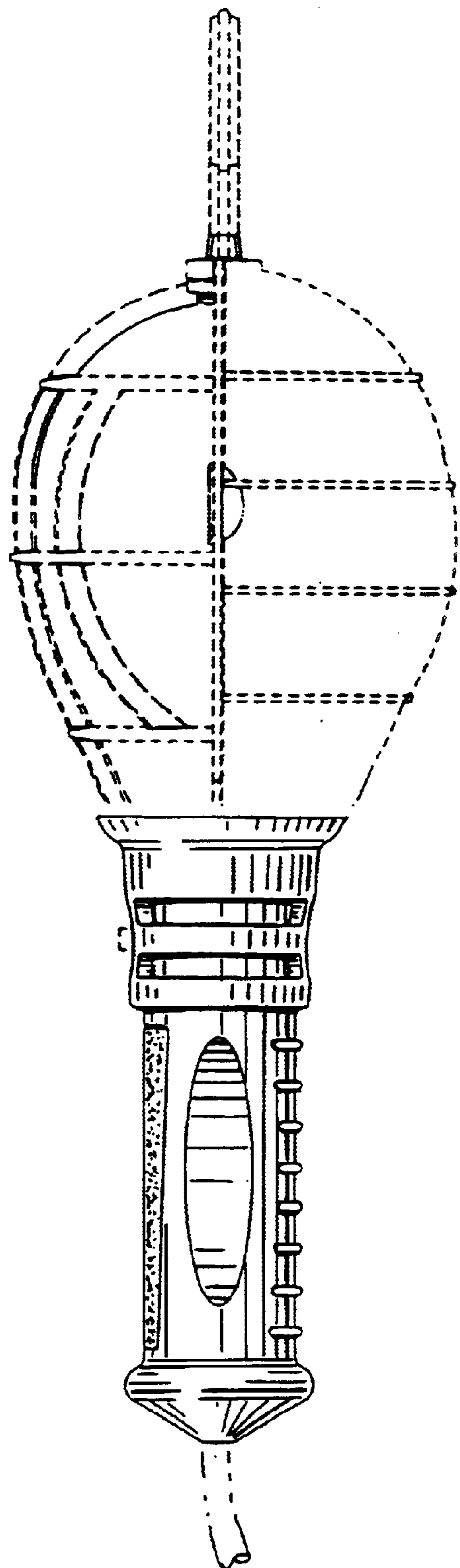


FIG. 3

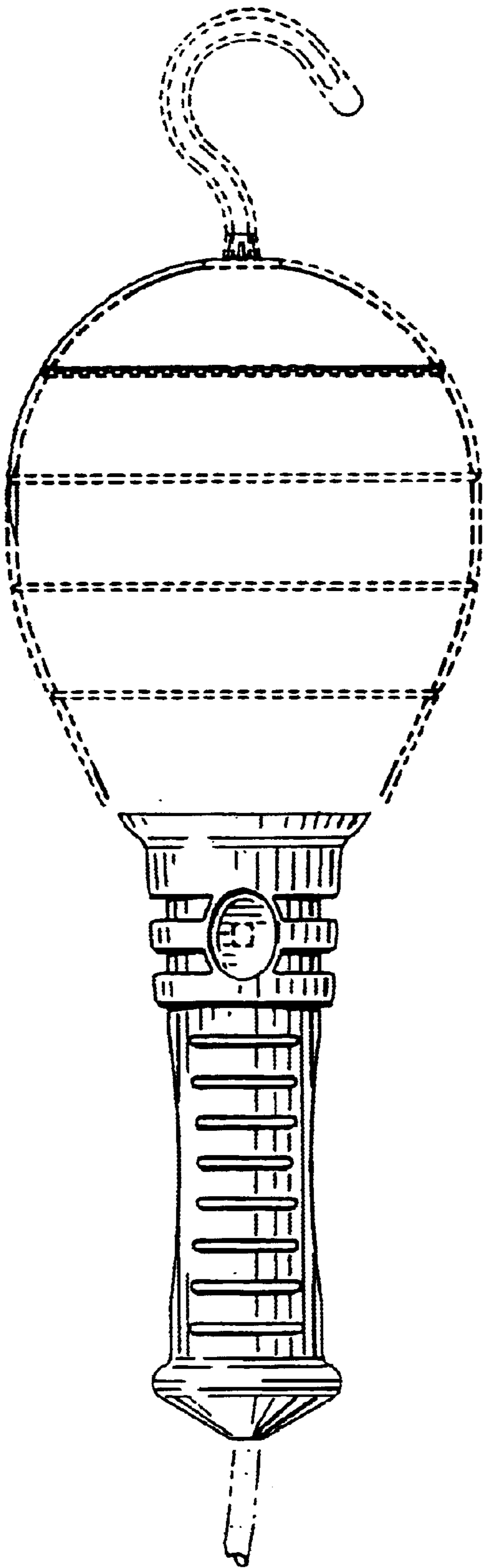


FIG. 4

