



US00D489466S

(12) **United States Design Patent**  
**Dohogne et al.**

(10) **Patent No.:** **US D489,466 S**

(45) **Date of Patent:** **\*\* May 4, 2004**

(54) **VEHICLE PERIMETER LIGHT WITHOUT BEZEL**

(75) Inventors: **Dennis A. Dohogne**, St. Peters, MO (US); **Robert E. Kreutzer**, Columbia, IL (US)

(73) Assignee: **Code 3, Inc.**, St. Louis, MO (US)

(\*\*) Term: **14 Years**

(21) Appl. No.: **29/182,748**

(22) Filed: **May 30, 2003**

(51) **LOC (7) Cl.** ..... **26-02**

(52) **U.S. Cl.** ..... **D26/28**

(58) **Field of Search** ..... D26/28-36; 362/61, 362/80, 81, 82, 83, 83.4, 267, 269, 330-340

(56) **References Cited**

**U.S. PATENT DOCUMENTS**

D326,237 S	5/1992	Gale et al.	
D360,845 S	8/1995	Smith et al.	
D443,939 S	* 6/2001	Thomas	..... D26/28
D451,218 S	* 11/2001	Bernier	..... D26/28
D463,875 S	* 10/2002	Rogers	..... D26/28
D471,302 S	* 3/2003	Yamamoto	..... D26/28

\* cited by examiner

*Primary Examiner*—Marcus A. Jackson

(74) *Attorney, Agent, or Firm*—Senniger, Powers, Leavitt & Roedel

(57) **CLAIM**

The ornamental design for a vehicle perimeter light without bezel, as shown and described.

**DESCRIPTION**

FIG. 1 is a front and left side perspective view of one preferred embodiment of a vehicle perimeter light without bezel incorporating our new design, with the wires broken away to indicate indeterminate length;

FIG. 2 is a front plan view of the light of FIG. 1;

FIG. 3 is a bottom plan view of the light of FIG. 1;

FIG. 4 is a top elevation view of the light of FIG. 1; and

FIG. 5 is a left side elevation view of the light of FIG. 1.

FIG. 6 is a front and left side perspective view of a second preferred embodiment of a vehicle perimeter light without bezel incorporating our new design;

FIG. 7 is a front plan view of the light of FIG. 6;

FIG. 8 is a bottom plan view of the light of FIG. 6;

FIG. 9 is a top elevation view of the light of FIG. 6; and

FIG. 10 is a left side elevation view of the light of FIG. 6.

FIG. 11 is a front and left side perspective view of a third preferred embodiment of a vehicle perimeter light without bezel incorporating our new design;

FIG. 12 is a front plan view of the light of FIG. 11;

FIG. 13 is a bottom plan view of the light of FIG. 11;

FIG. 14 is a top elevation view of the light of FIG. 11; and,

FIG. 15 is a left side elevation view of the light of FIG. 11.

**1 Claim, 15 Drawing Sheets**

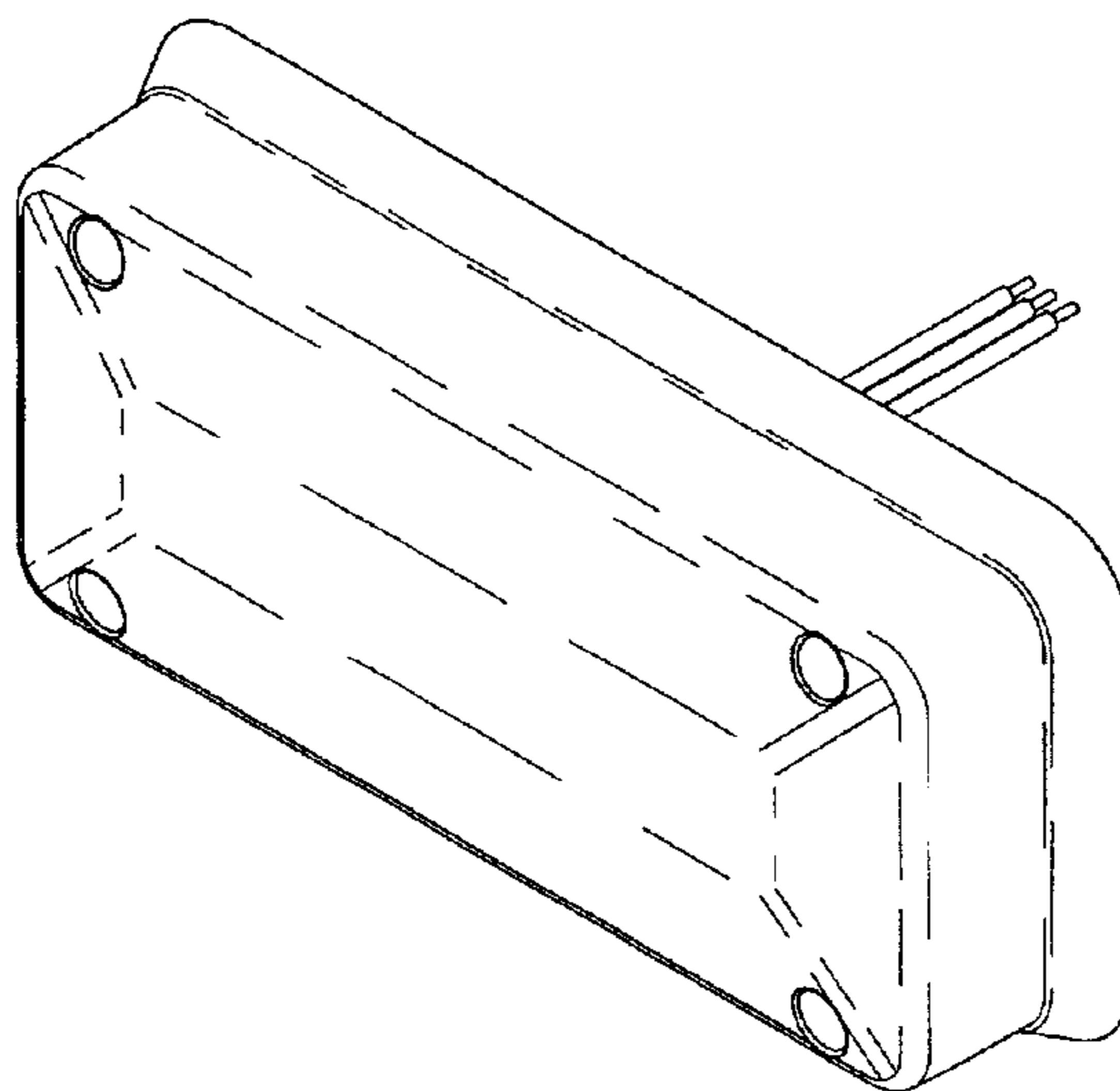


FIG. 1

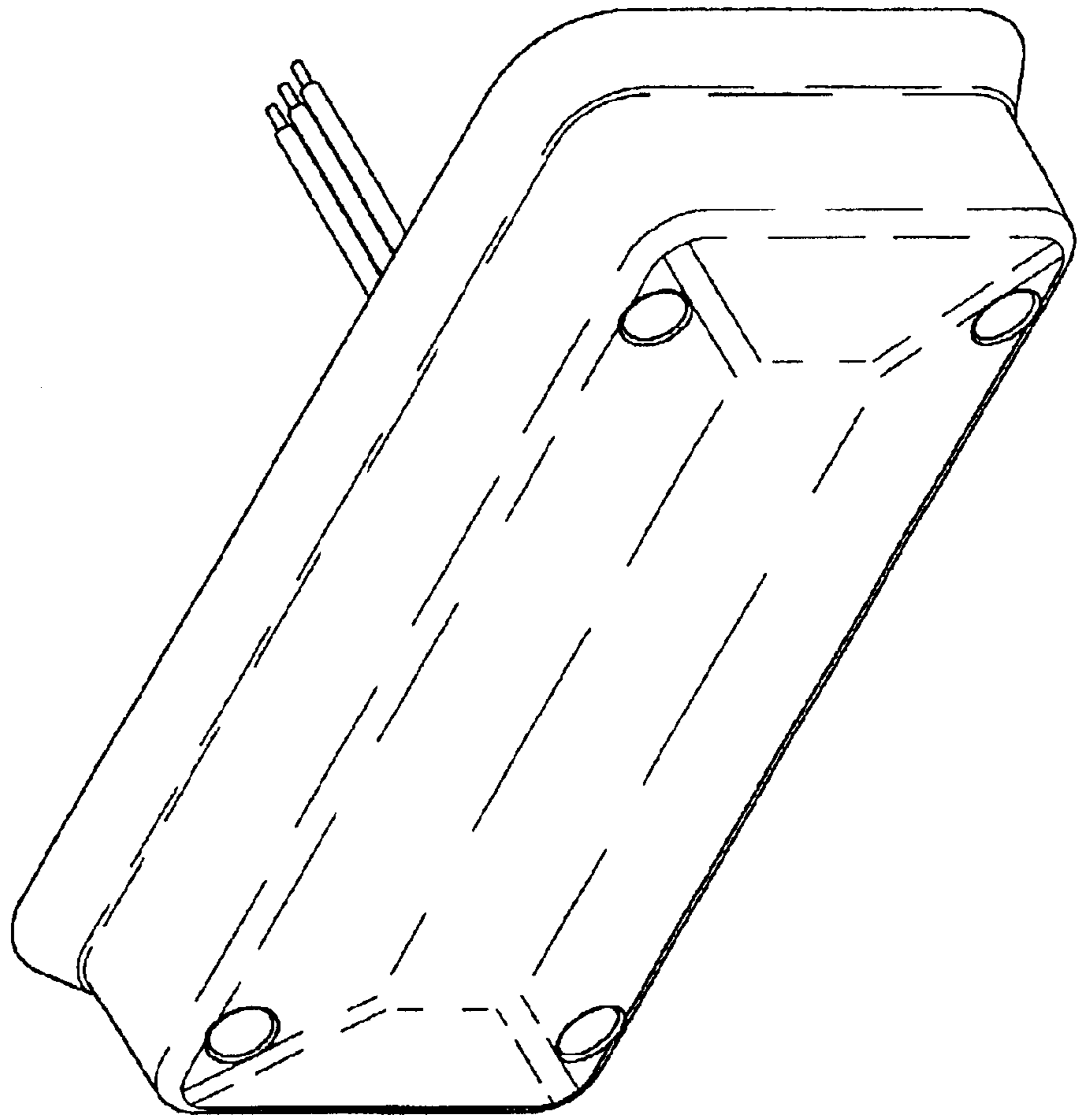


FIG. 2

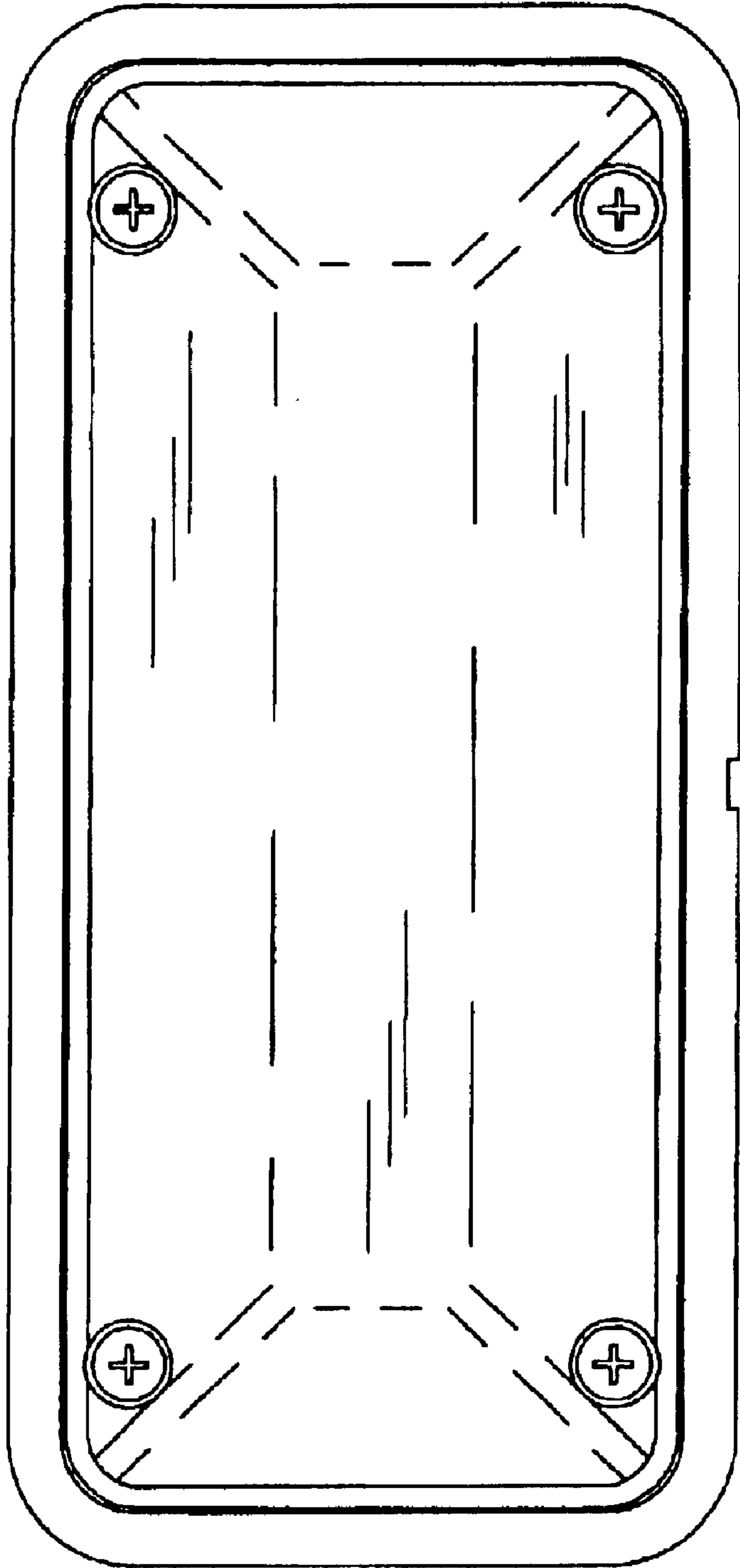


FIG. 3

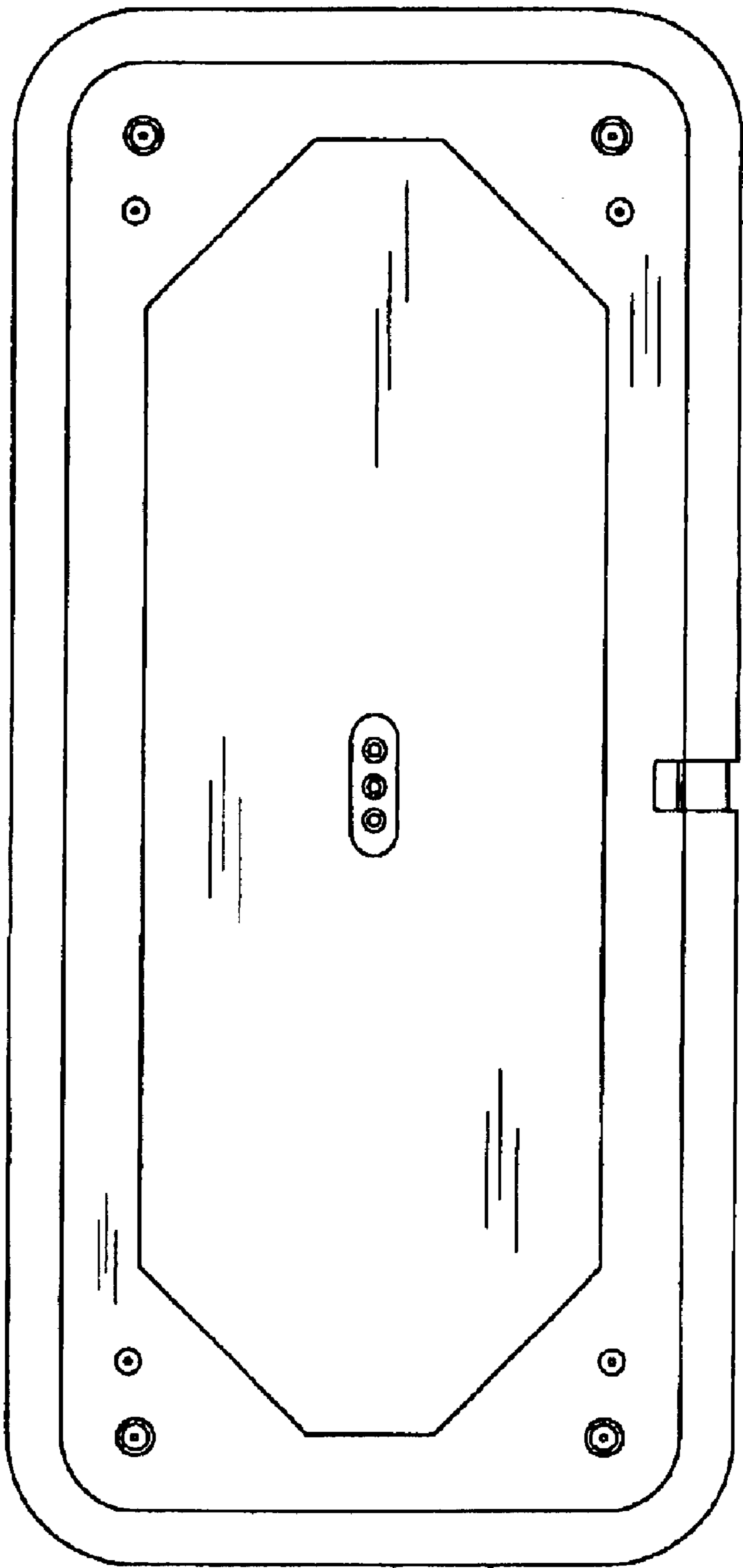


FIG. 4

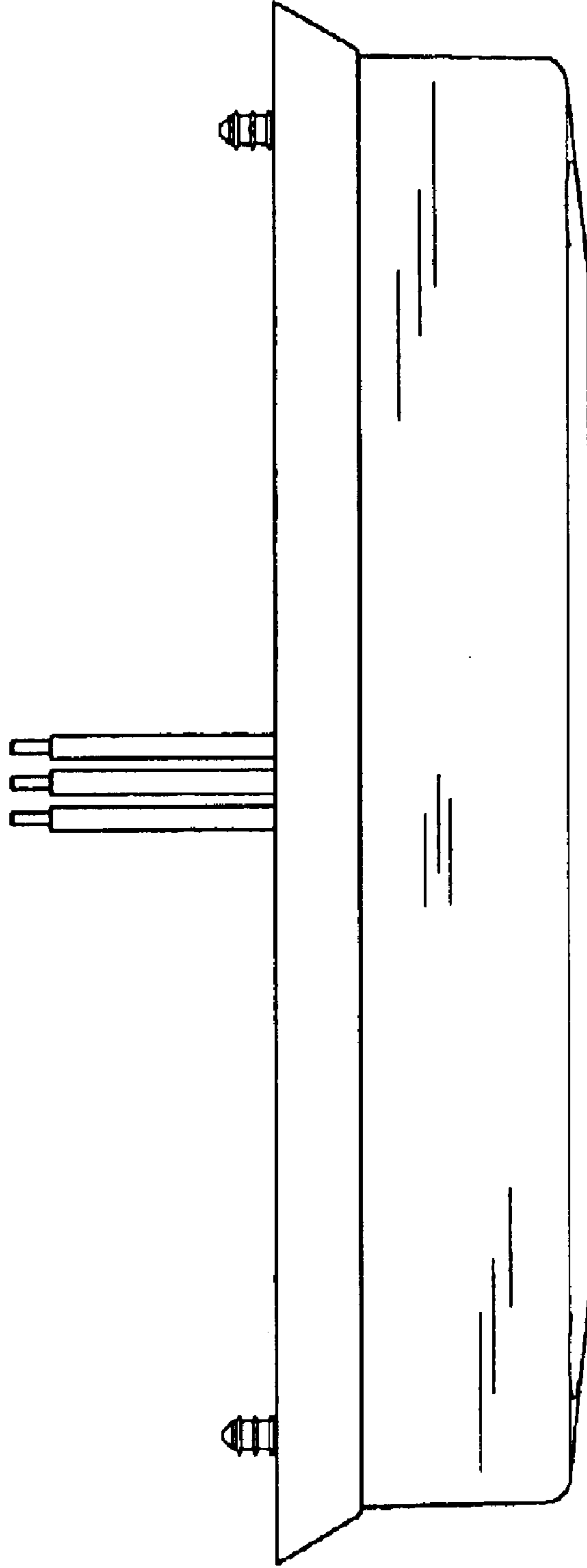


FIG. 5

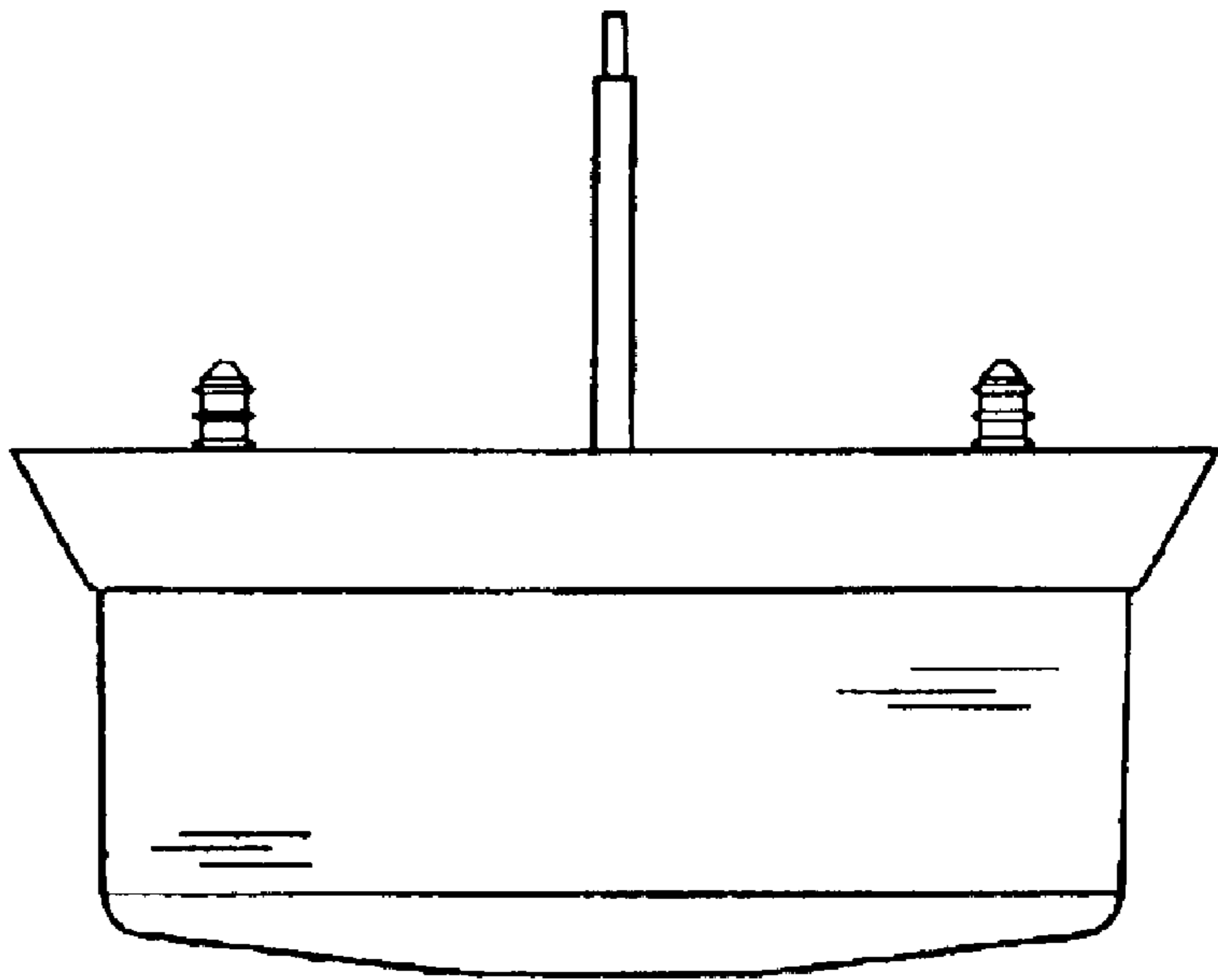


FIG. 6

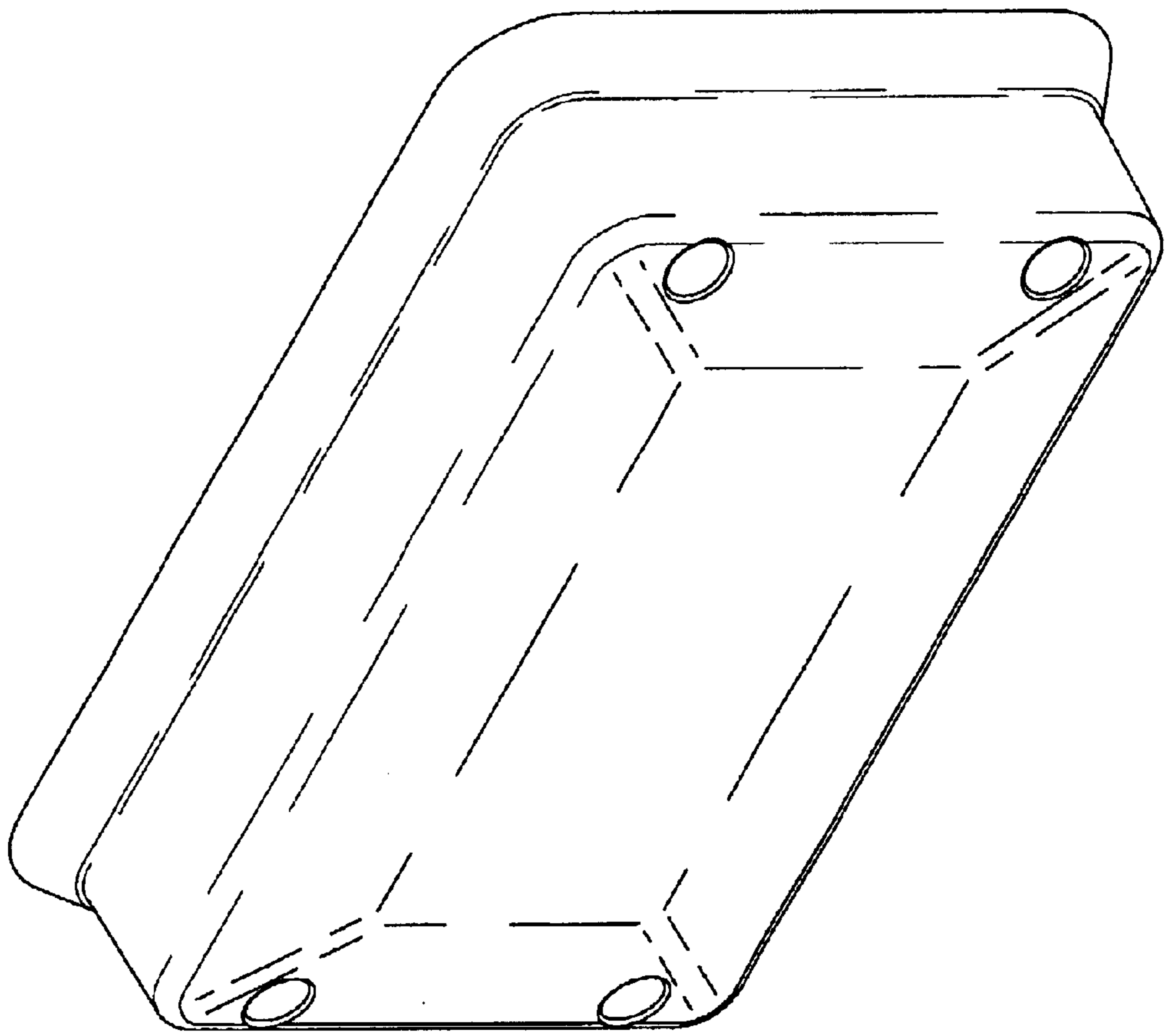


FIG. 7

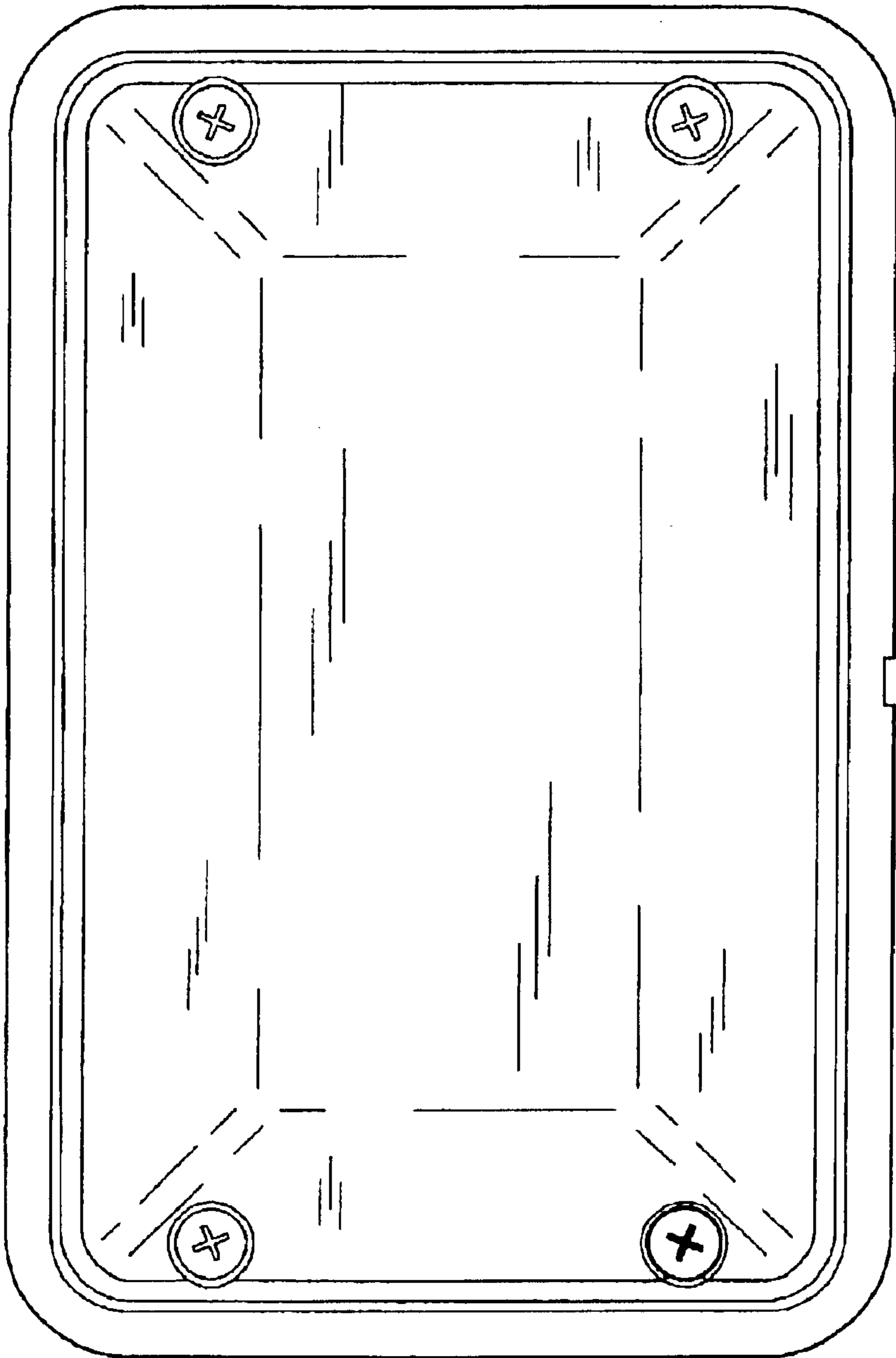




FIG. 8

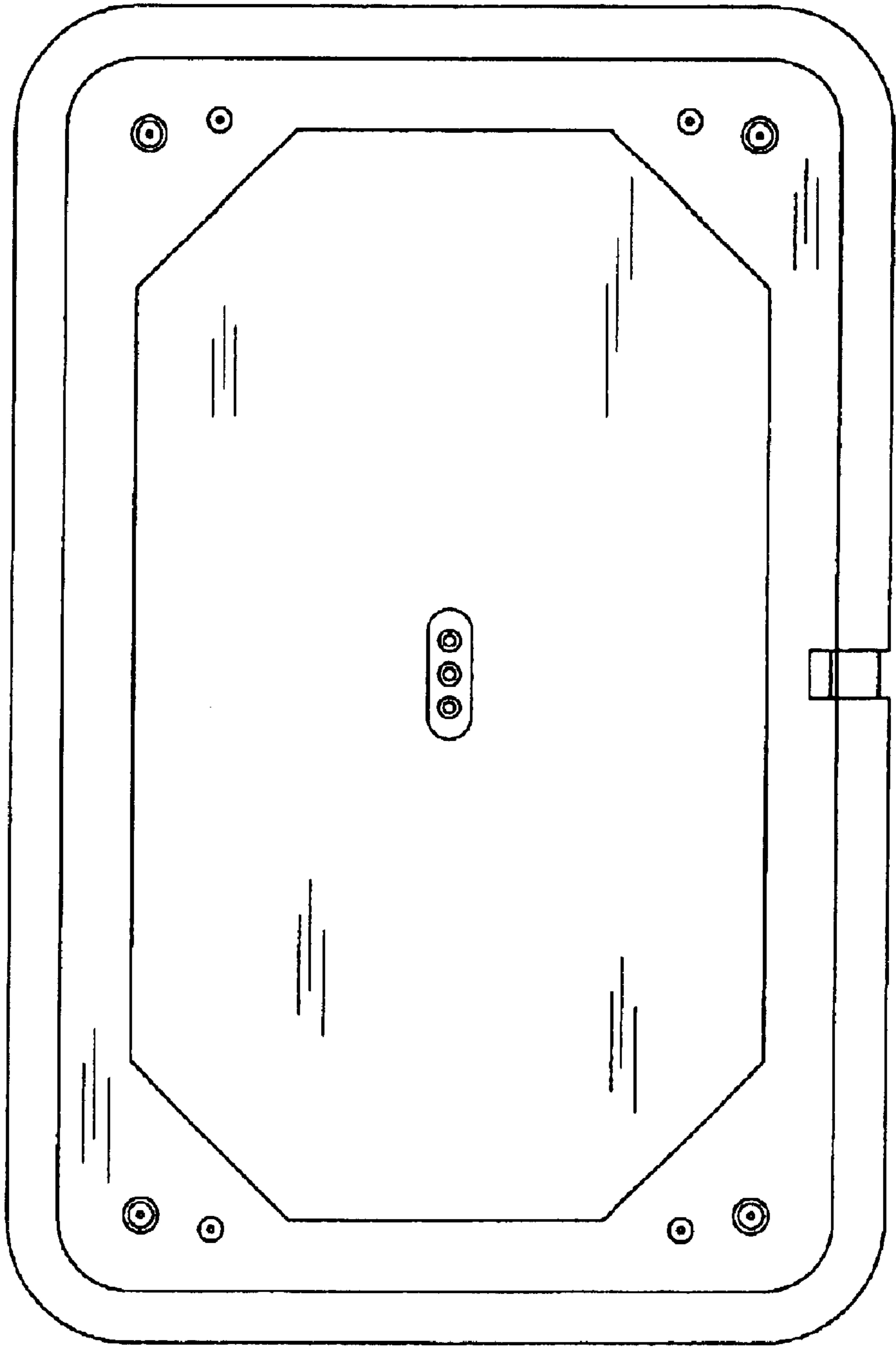


FIG. 9

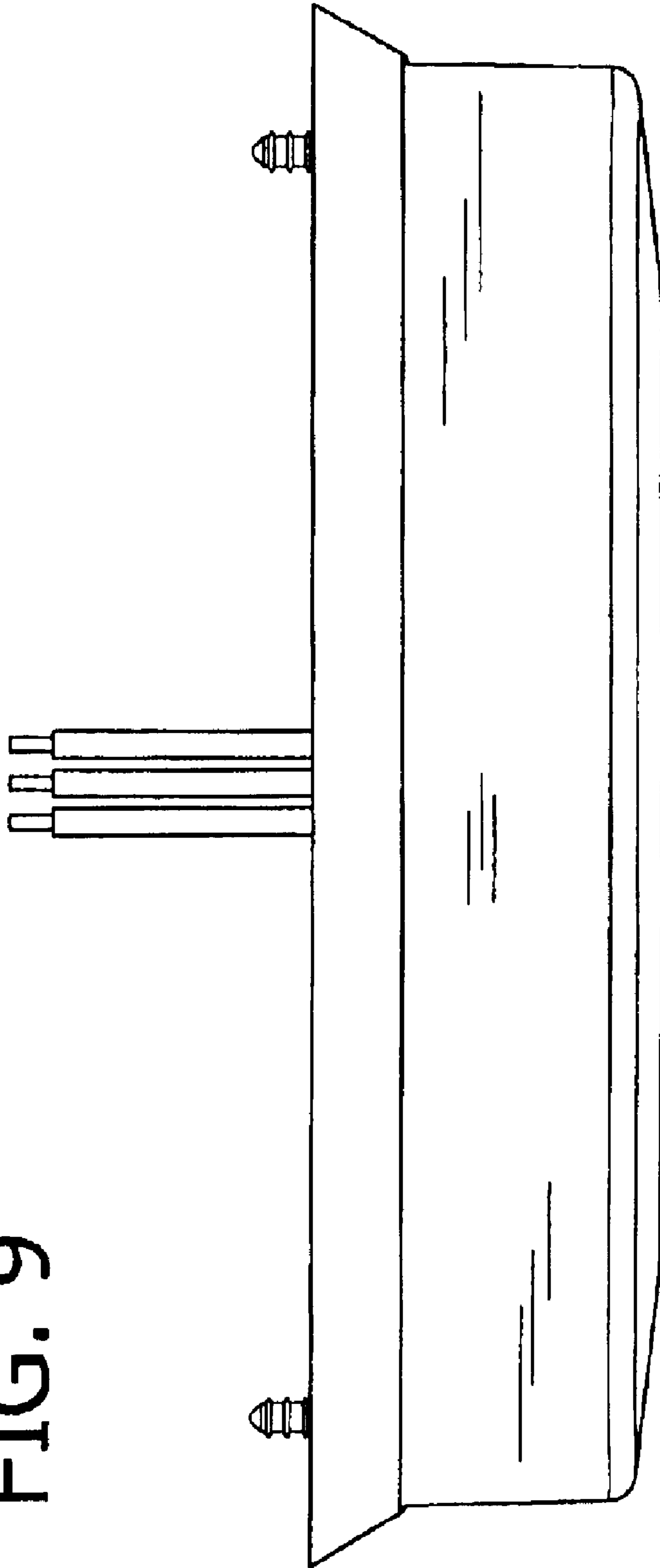


FIG. 10

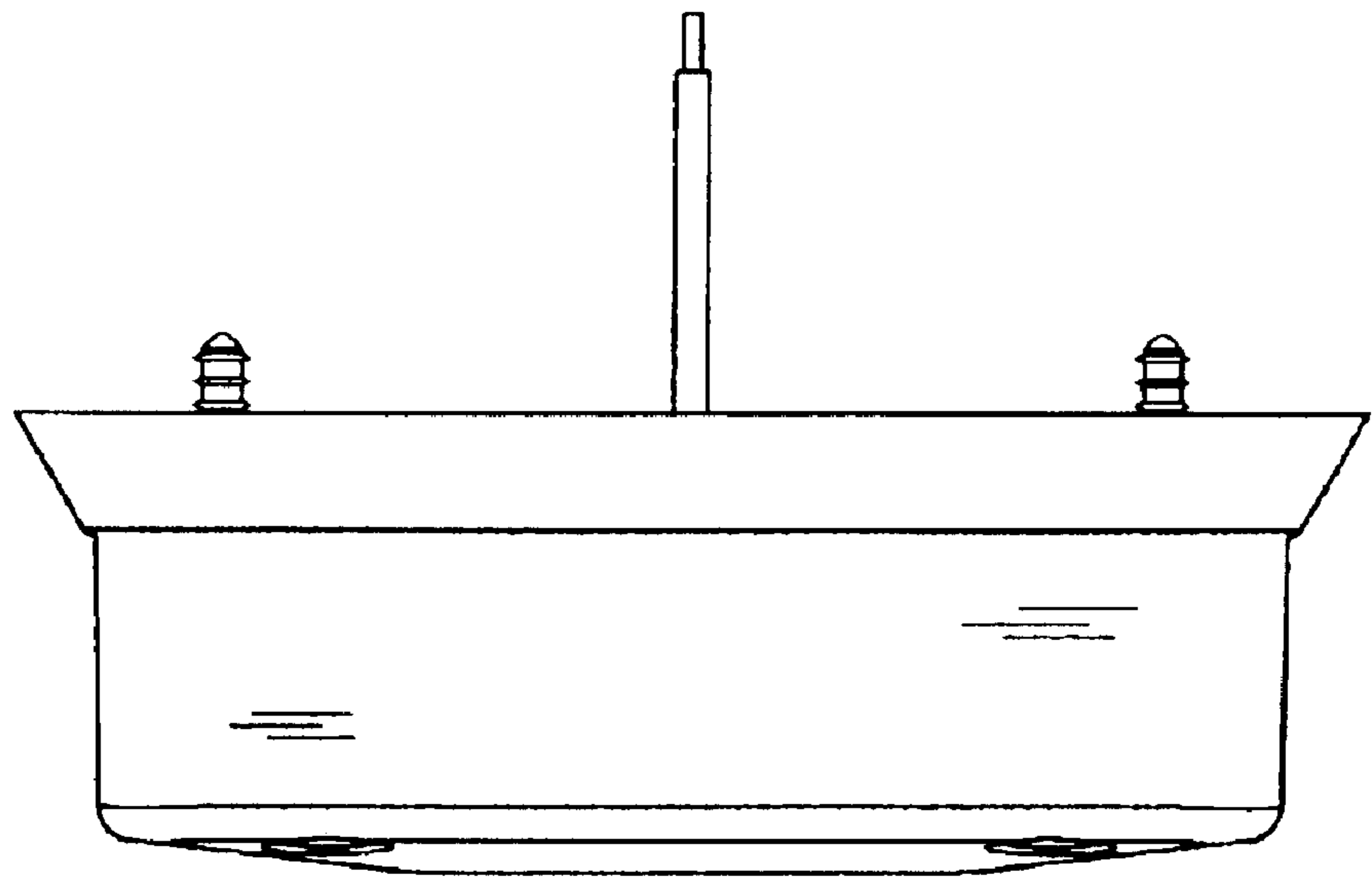


FIG. 11

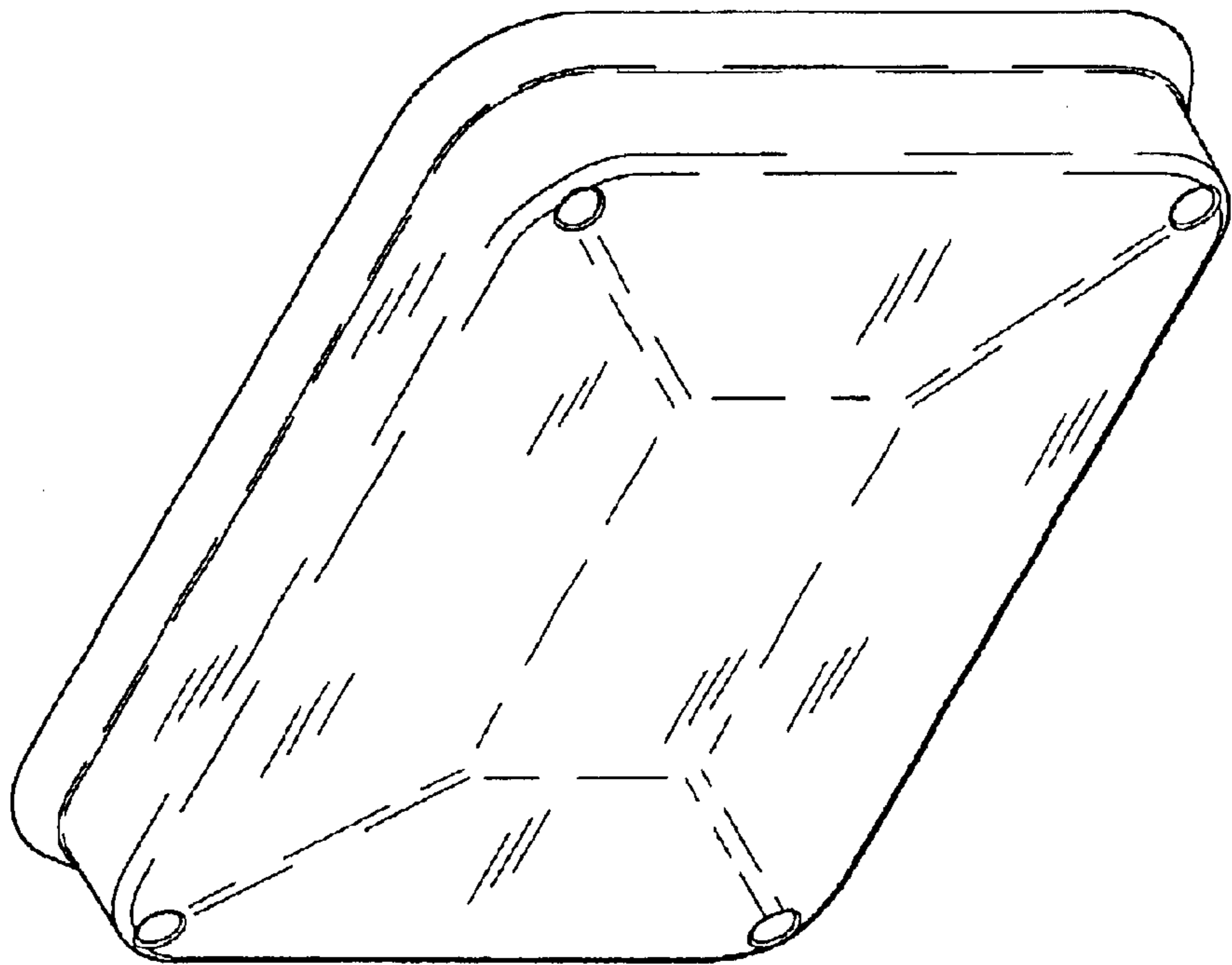


FIG. 12

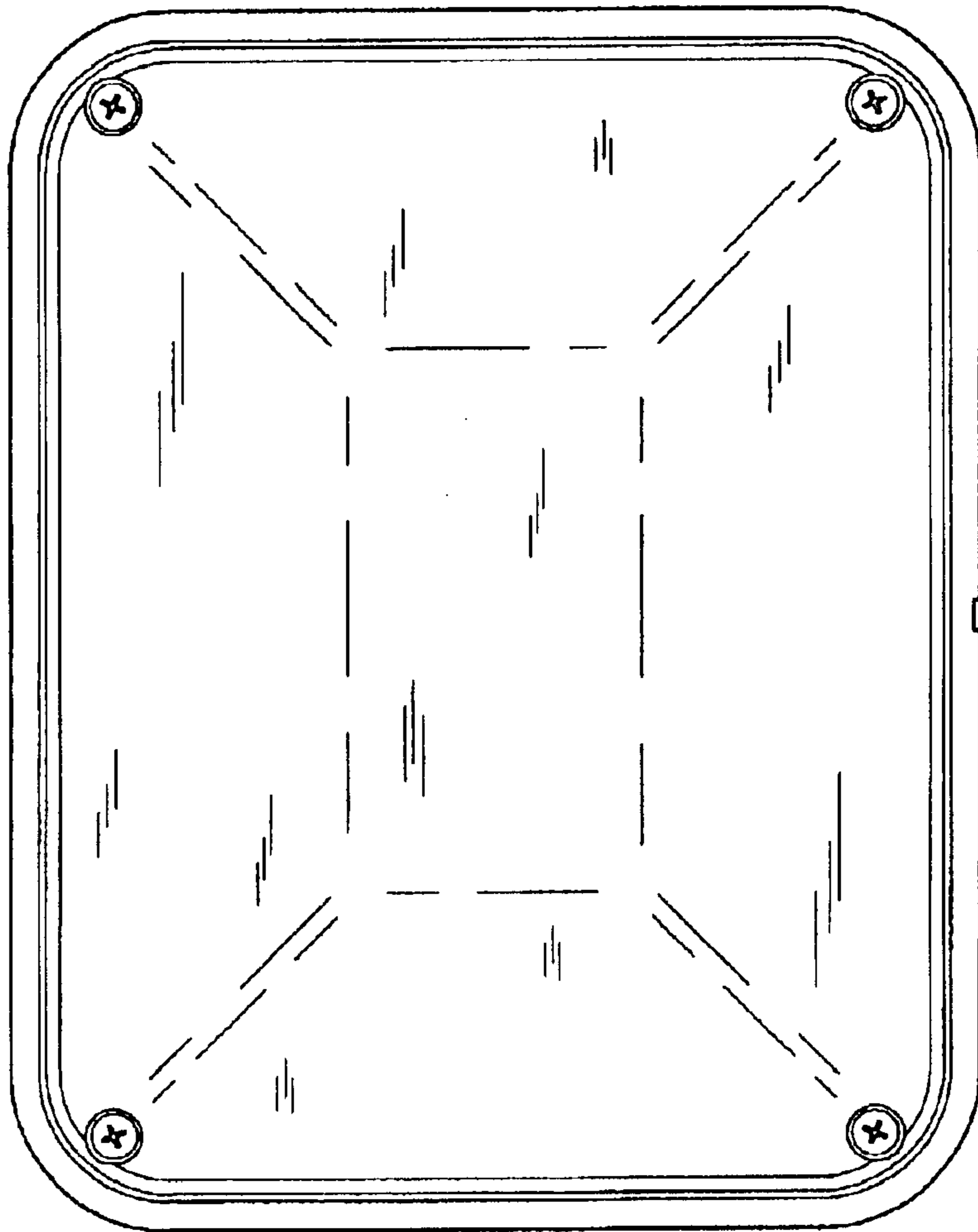


FIG. 13

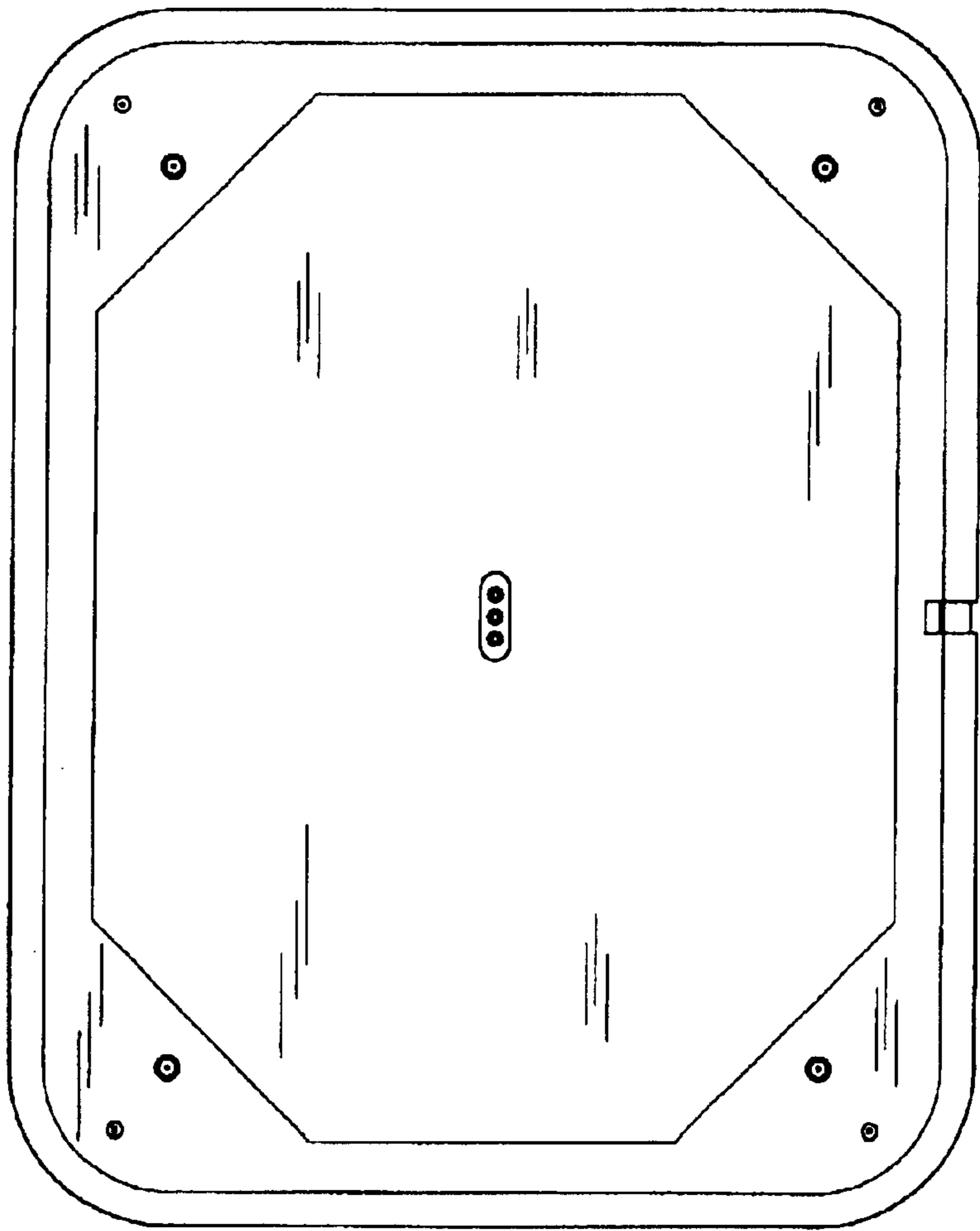


FIG. 14

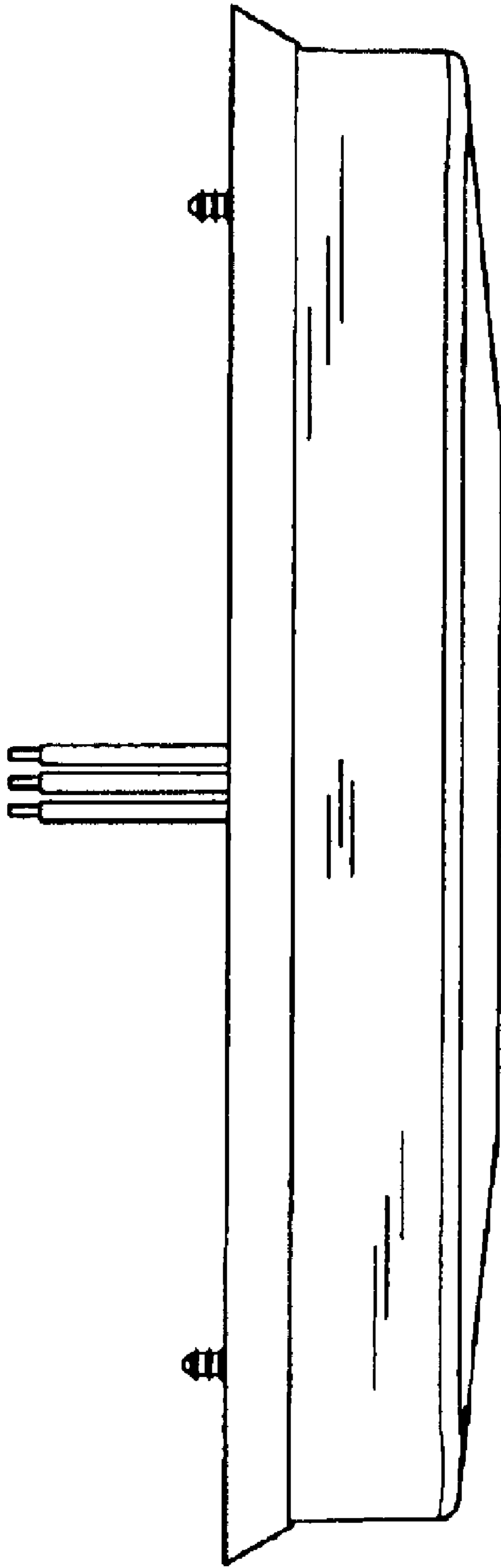


FIG. 15

