



US00D489465S

(12) **United States Design Patent**  
**Allsopp**

(10) **Patent No.:** **US D489,465 S**

(45) **Date of Patent:** **\*\* May 4, 2004**

(54) **FIXING PLATE**

6,267,168 B1 \* 7/2001 Davies et al. .... 160/23.1

(76) Inventor: **Reginald Charles Allsopp**, 110 Andrew Lane High Lane, Stockport, Cheshire SK6 8JD (GB)

\* cited by examiner

*Primary Examiner*—Doris Clark

(74) *Attorney, Agent, or Firm*—Haugen Law Firm PLLP

(\*\*) Term: **14 Years**

(57) **CLAIM**

(21) Appl. No.: **29/176,563**

The ornamental design for a fixing plate, as shown and described.

(22) Filed: **Feb. 24, 2003**

(30) **Foreign Application Priority Data**

**DESCRIPTION**

Aug. 28, 2002 (GB) ..... 3006532

FIG. 1 is a top fragmented perspective view of the fixing plate design taken from above, in front, and one end thereof, with the other end view being a mirror image thereof;

(51) **LOC (7) Cl.** ..... **25-01**

FIG. 2 is a bottom plan view of the design;

(52) **U.S. Cl.** ..... **D25/119**

FIG. 3 is a top plan view of the design;

(58) **Field of Search** ..... D25/49, 55, 119;  
160/239, 371, 393, 396, 399

FIG. 4 is an end view of the fixing plate, with the other end being a mirror image thereof, as shown in FIG. 1;

FIG. 5 is a left side view of the design;

(56) **References Cited**

**U.S. PATENT DOCUMENTS**

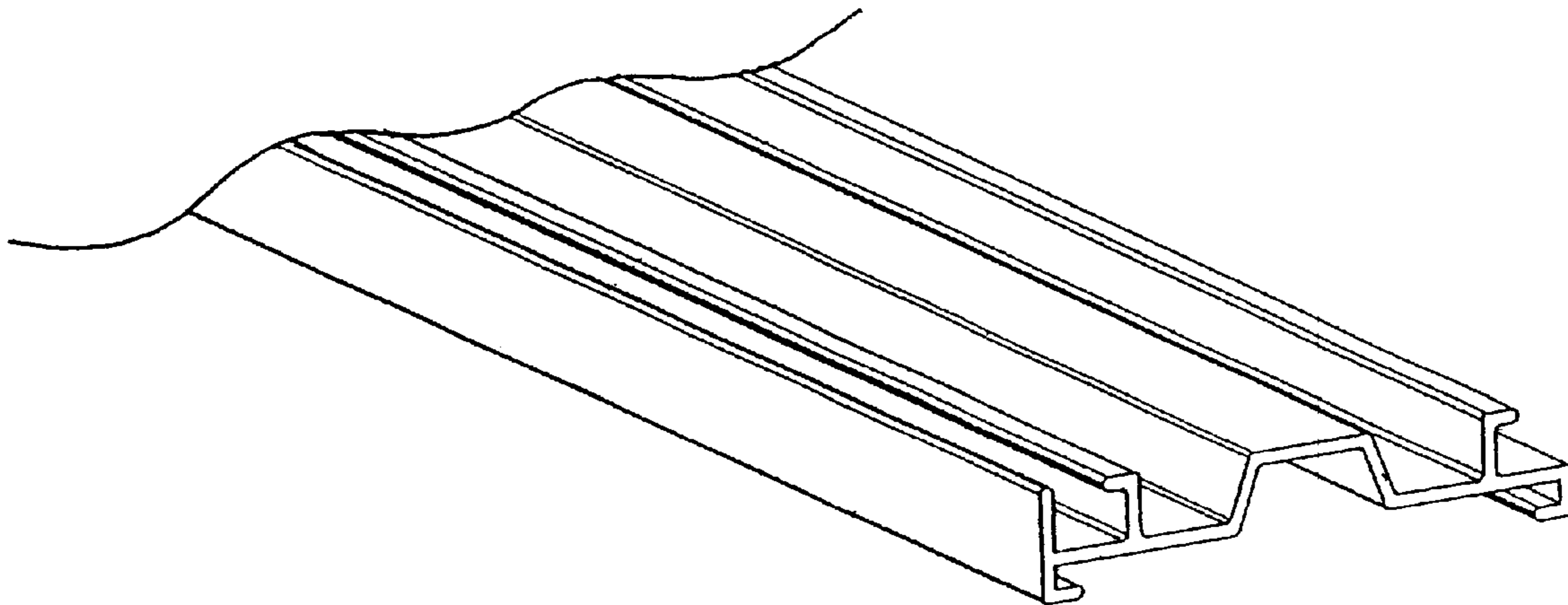
D408,558 S \* 4/1999 Levy ..... D25/119

D427,325 S \* 6/2000 Ginzel ..... D25/119

FIG. 6 is a right side view of the design; and,

FIG. 7 is a bottom perspective view of the design.

**1 Claim, 3 Drawing Sheets**



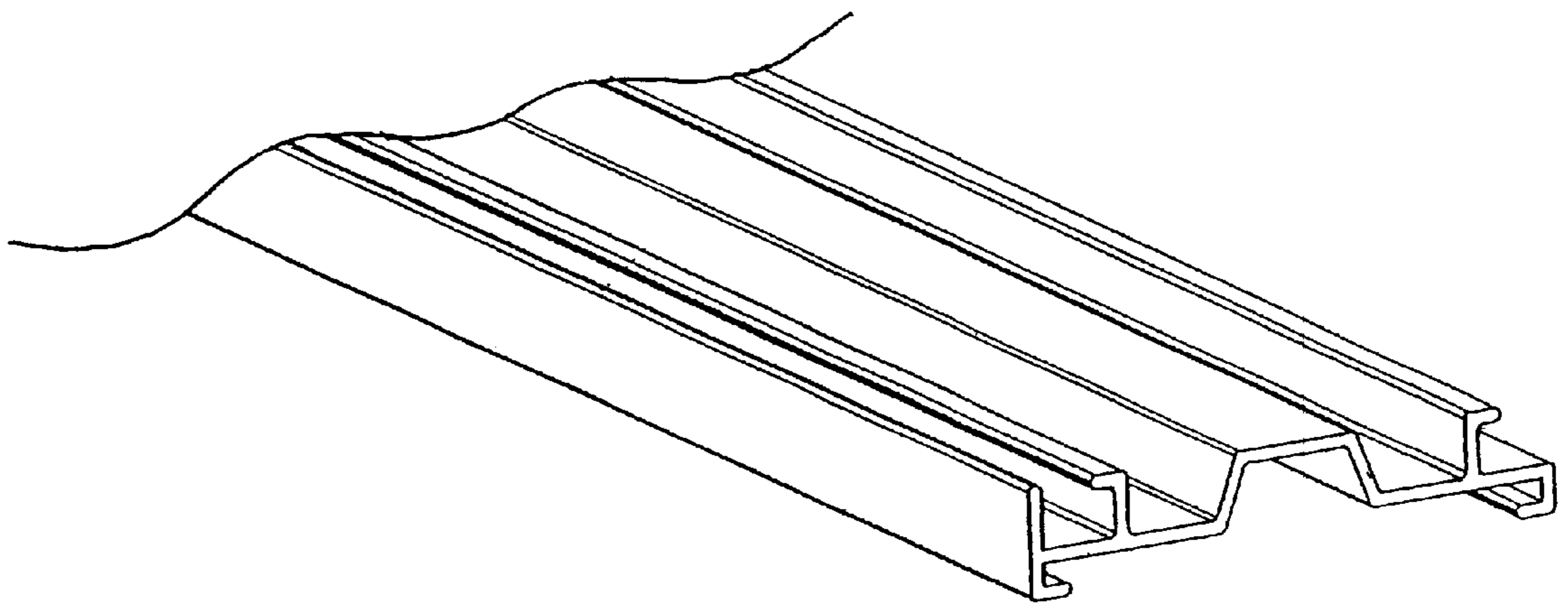


FIGURE 1

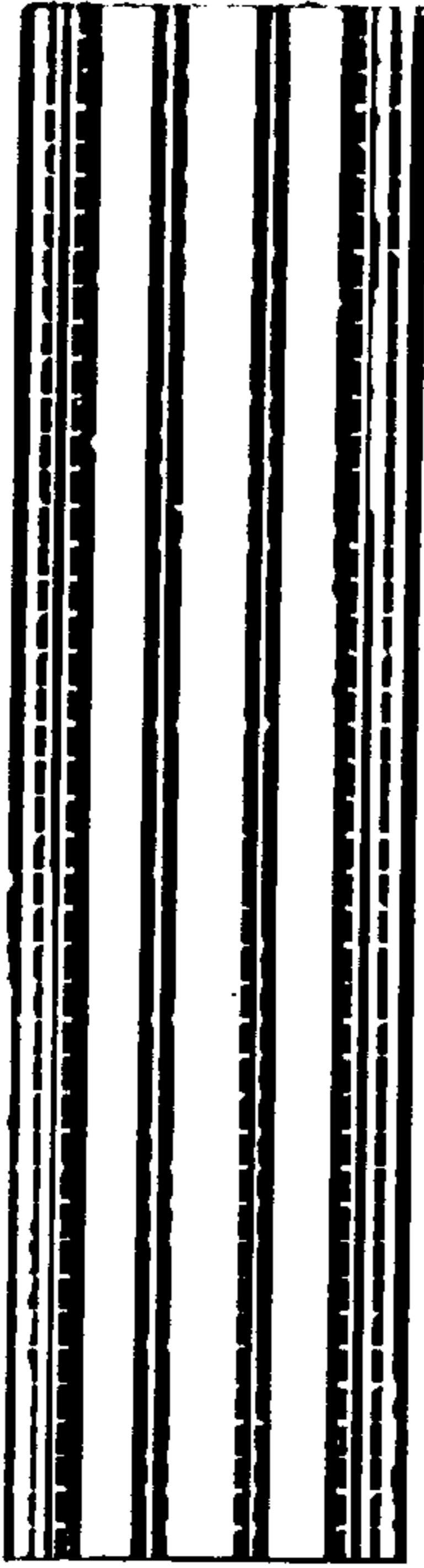


FIGURE 2

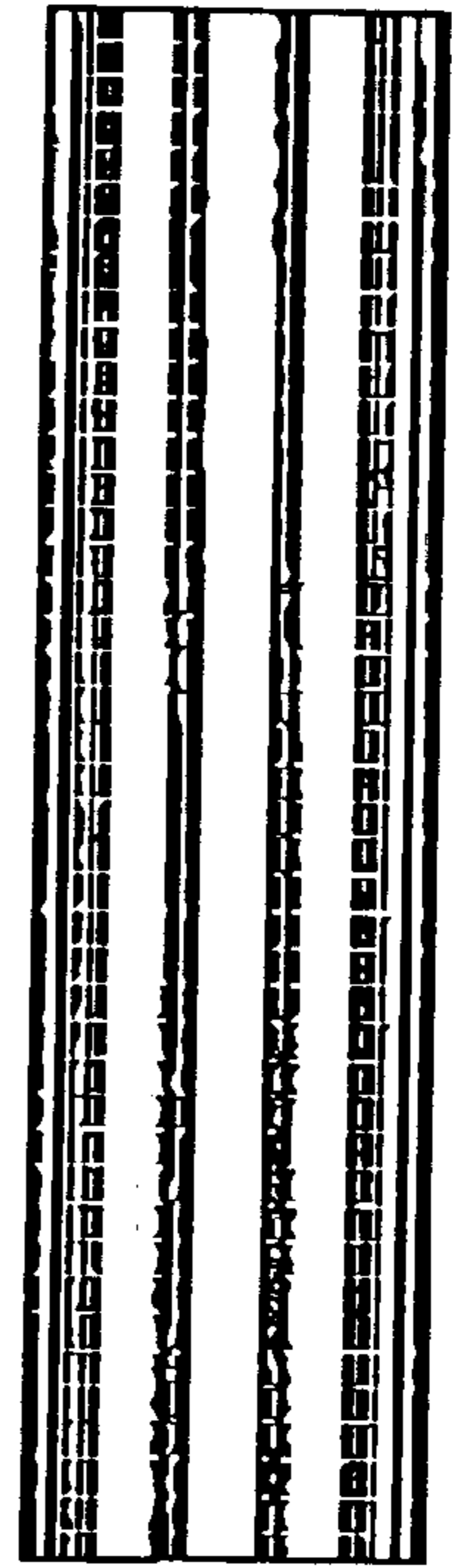


FIGURE 3



FIGURE 4

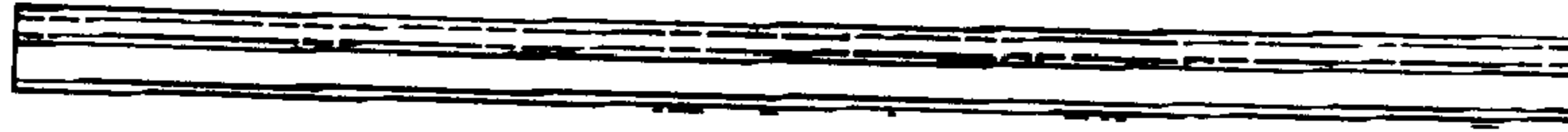


FIGURE 5

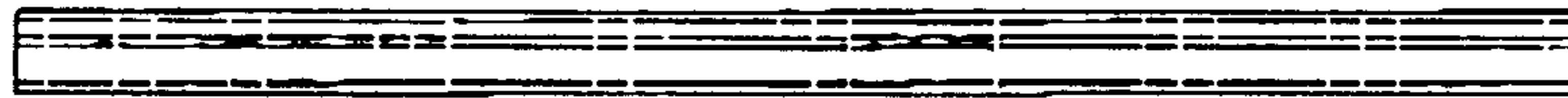


FIGURE 6

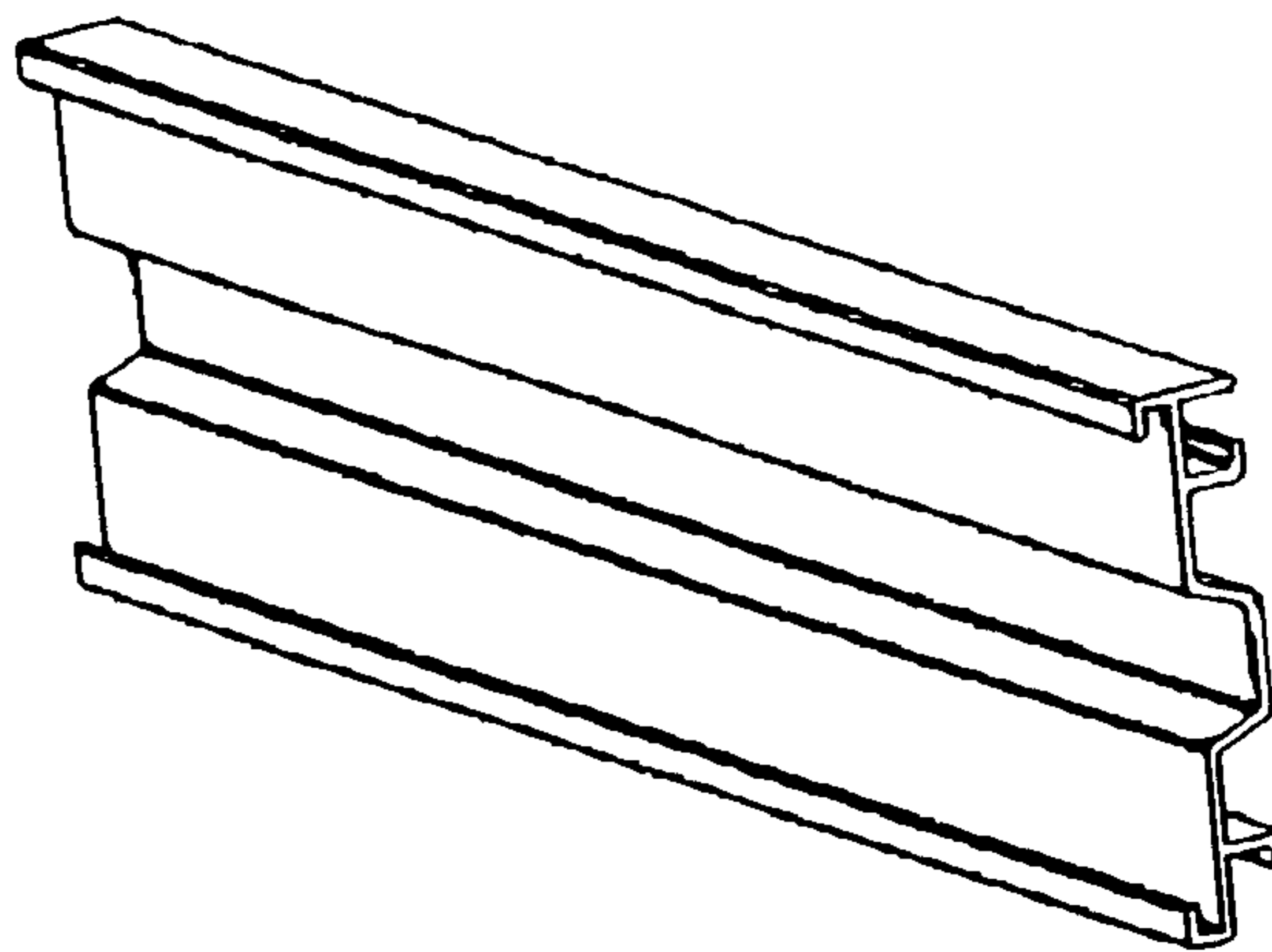


FIGURE 7