



US00D489458S

(12) **United States Design Patent**
Joseph

(10) **Patent No.:** **US D489,458 S**

(45) **Date of Patent:** **** May 4, 2004**

(54) **TOE PROTECTOR**

5,980,475 A * 11/1999 Gibbons 602/11

(76) Inventor: **Robyn Joseph**, 1165 Northern Blvd.,
Manhasset, NY (US) 11030

* cited by examiner

(**) Term: **14 Years**

Primary Examiner—Stella Reid

(74) *Attorney, Agent, or Firm*—Keusey, Tutunjian &
Bitetto, P.C.

(21) Appl. No.: **29/174,758**

(57) **CLAIM**

(22) Filed: **Jan. 24, 2003**

The ornamental design for a toe protector, as shown and
described.

(51) **LOC (7) Cl.** **24-04**

(52) **U.S. Cl.** **D24/192**

(58) **Field of Search** D24/190, 192;
602/3, 23, 30; 128/893, 894; D2/909, 913

DESCRIPTION

(56) **References Cited**

U.S. PATENT DOCUMENTS

2,163,012 A	6/1939	Schenk	
2,354,770 A *	8/1944	Patterson	602/30
2,636,491 A *	4/1953	La Bille	602/30
3,299,894 A *	1/1967	Charlebois	36/140
D219,136 S *	11/1970	Mace	D2/913
4,454,872 A *	6/1984	Brouhard	602/11
D285,500 S *	9/1986	Shaffner	D24/192
D339,422 S *	9/1993	Williams	D24/192

FIG. 1 is a perspective view of the toe protector showing my
new design;

FIG. 2 is a perspective view thereof;

FIG. 3 is a front view thereof;

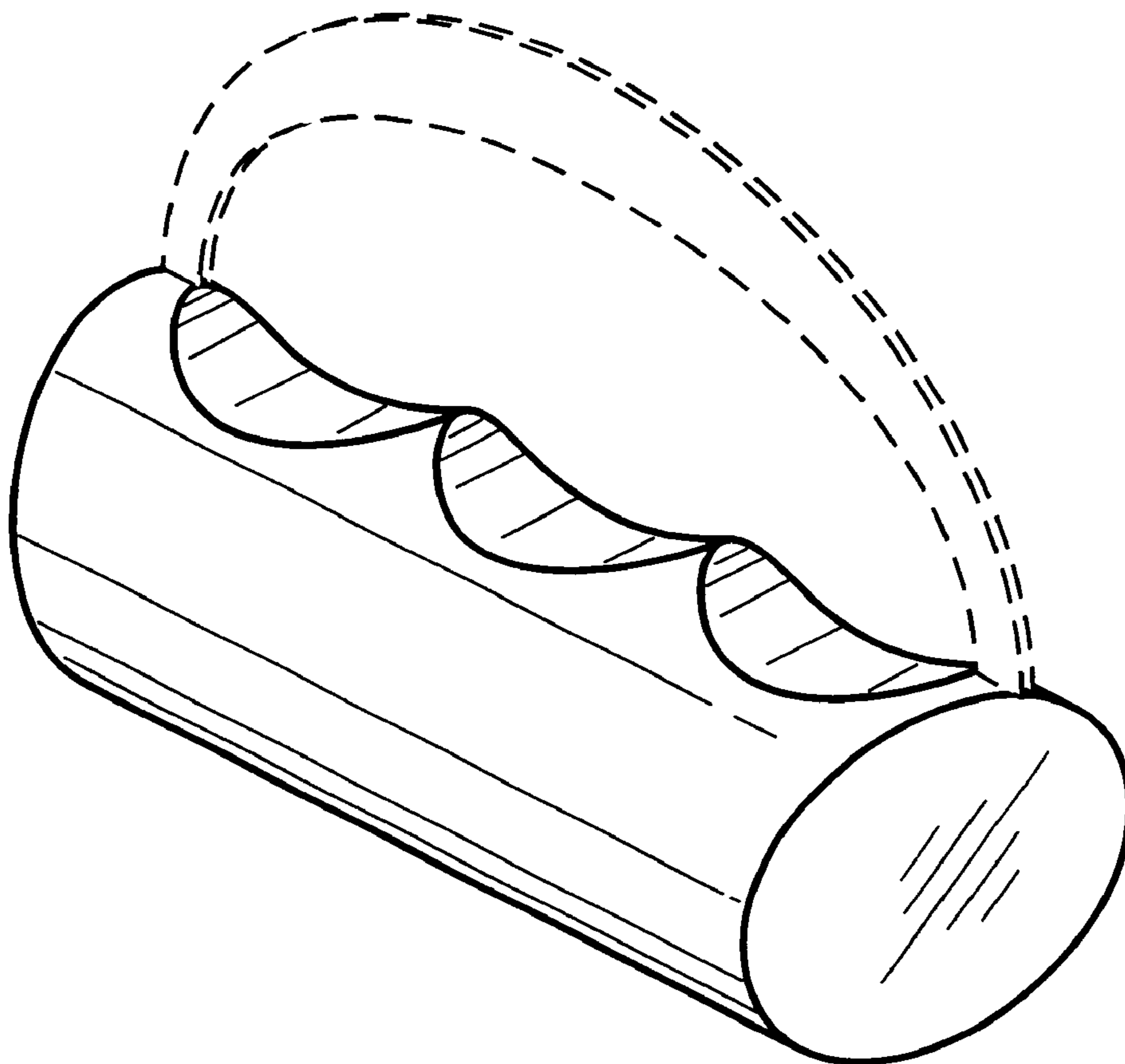
FIG. 4 is top view thereof;

FIG. 5 is a bottom view thereof; and,

FIG. 6 is a left side view thereof, the right side view is
identical to the left side view shown.

The broken line showing is for illustrative purposes only and
forms no part of the claimed design.

1 Claim, 2 Drawing Sheets



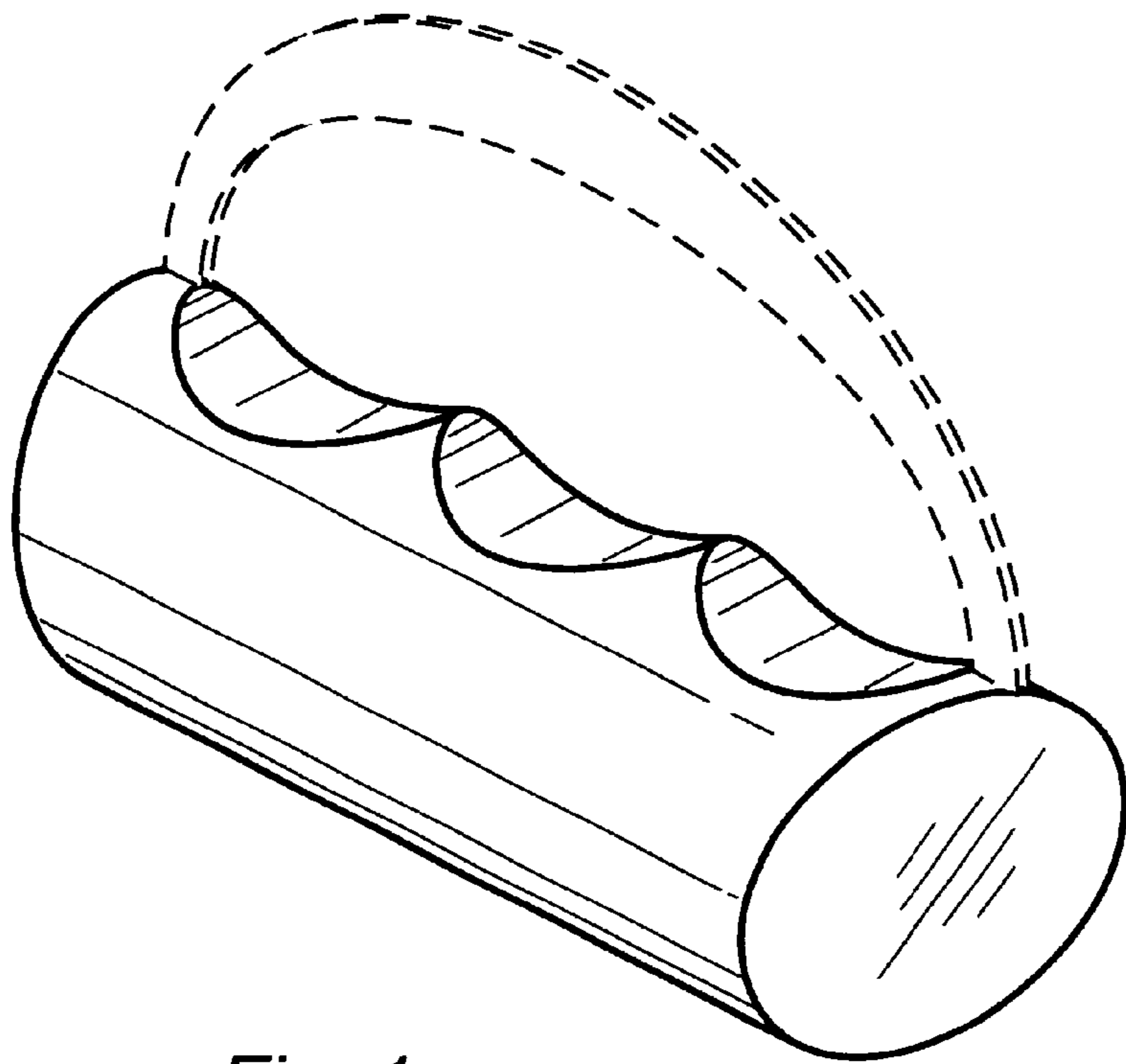


Fig. 1

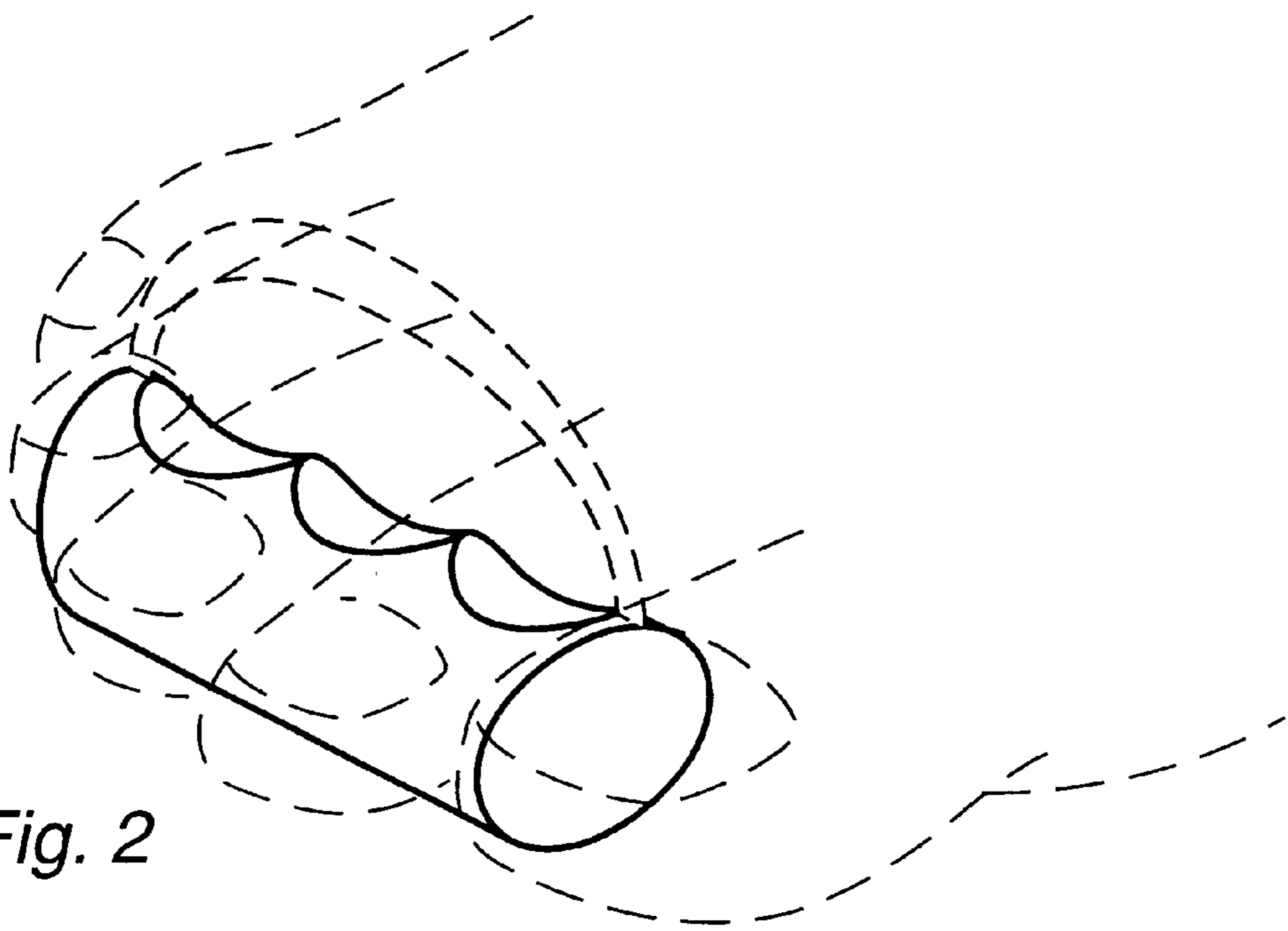


Fig. 2

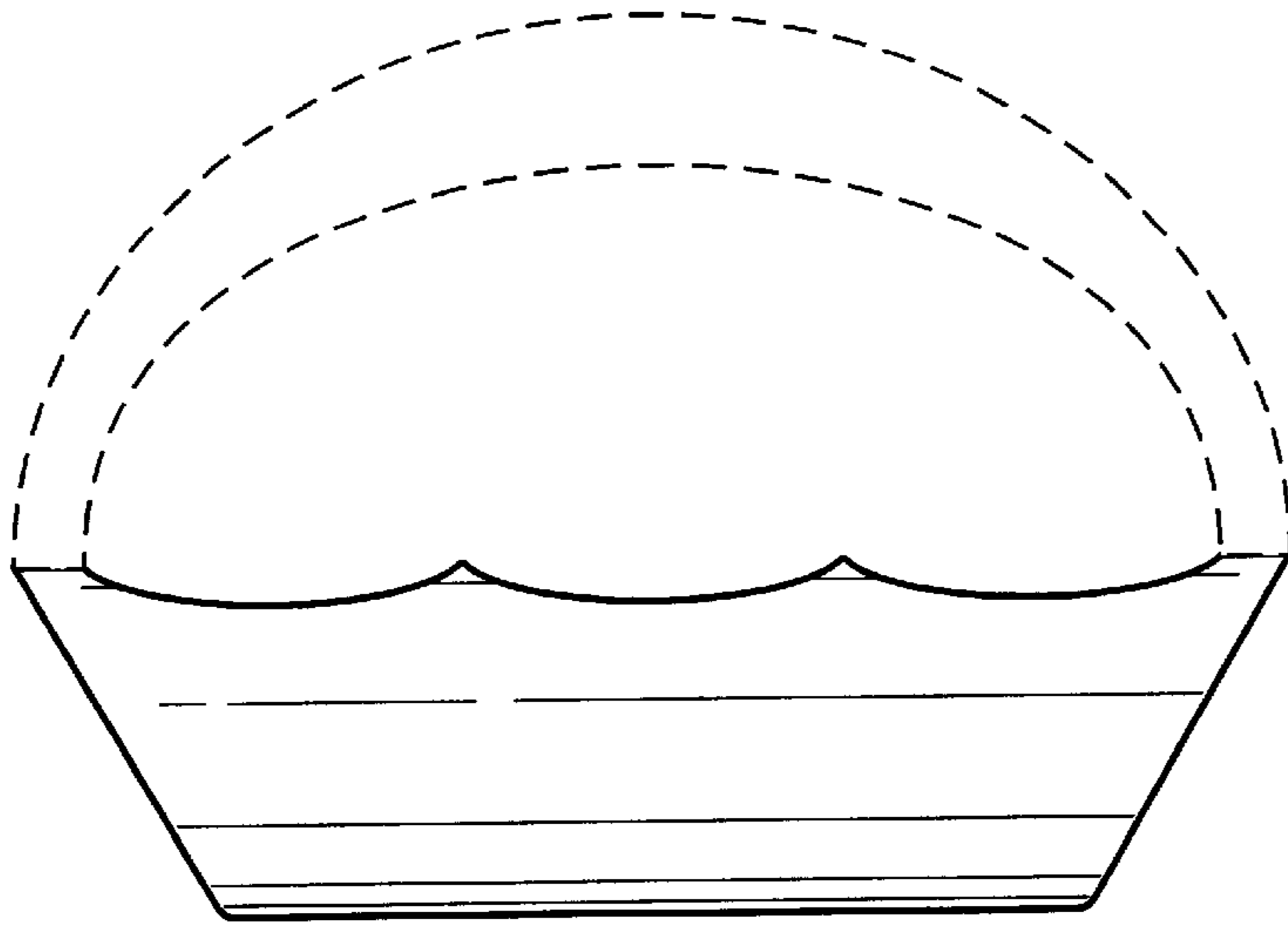


Fig. 3

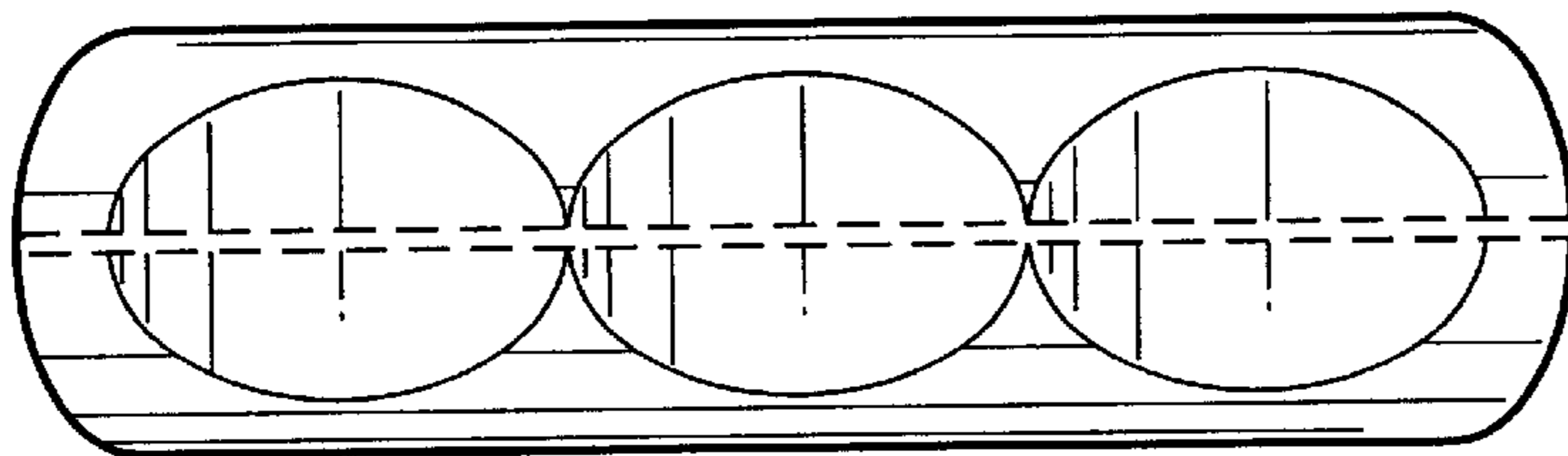


Fig. 4

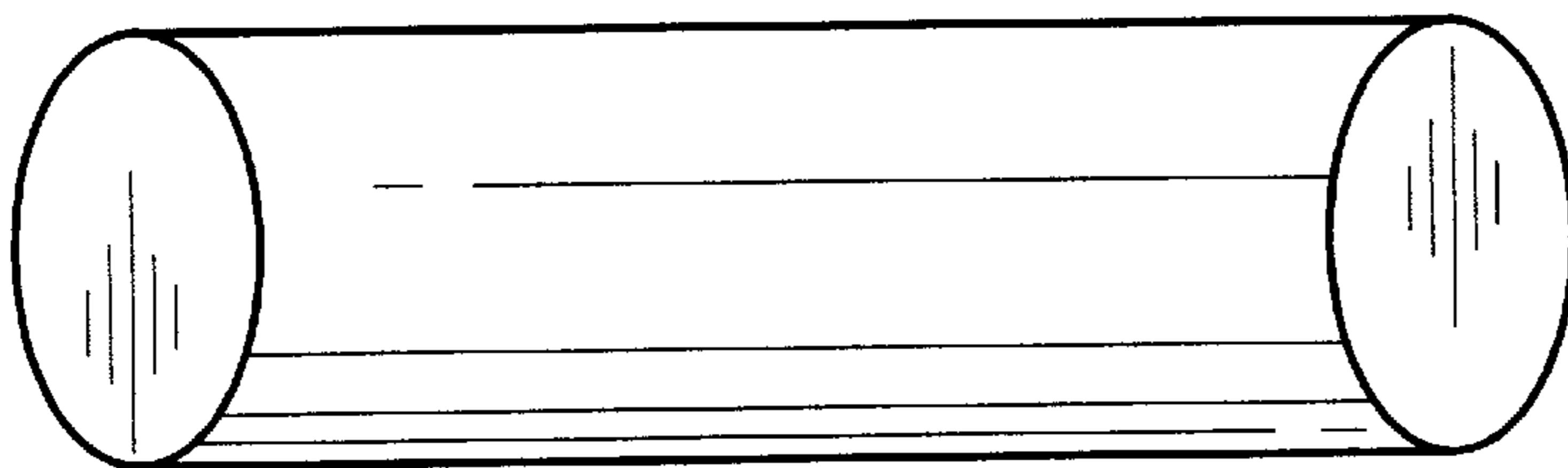


Fig. 5

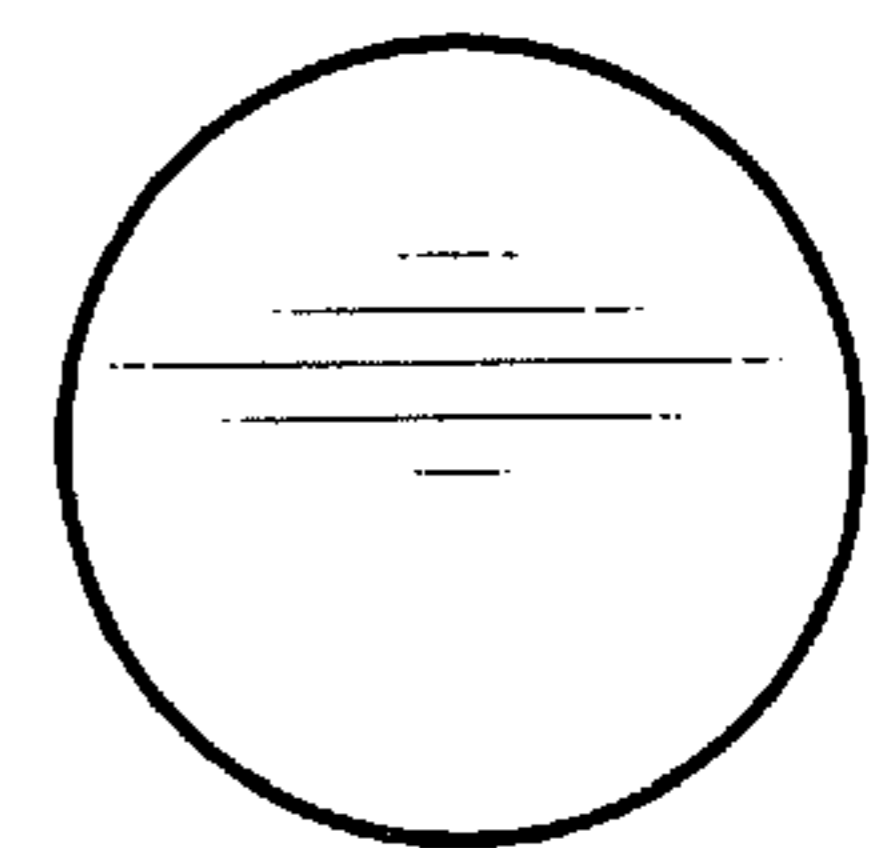


Fig. 6