



US00D489455S

(12) **United States Design Patent**
Mork

(10) **Patent No.:** **US D489,455 S**

(45) **Date of Patent:** **** May 4, 2004**

(54) **MONOFILAMENT HOLDER**

(75) Inventor: **Daniel Mork**, Edgewater, MD (US)

(73) Assignee: **Mork Marketing, Inc.**, Edgewater, MD (US)

(**) Term: **14 Years**

(21) Appl. No.: **29/180,335**

(22) Filed: **Apr. 22, 2003**

(51) **LOC (7) Cl.** **24-02**

(52) **U.S. Cl.** **D24/142**

(58) **Field of Search** D24/142; 600/557, 600/587

(56) **References Cited**

U.S. PATENT DOCUMENTS

2,704,539	A	*	3/1955	Fisher	600/557
5,823,969	A	*	10/1998	Christy	600/557
6,113,551	A	*	9/2000	Isaacs et al.	600/557
D439,336	S		3/2001	Najmi		

OTHER PUBLICATIONS

Bailey Instruments Ltd.; Monofilament Holder CH533; Manchester, England; undated.

* cited by examiner

Primary Examiner—Stella Reid

(74) *Attorney, Agent, or Firm*—Lawrence E. Laubscher, Jr.

(57) **CLAIM**

The ornamental design for a monofilament holder, as shown.

DESCRIPTION

FIG. 1 is a front perspective view of a monofilament holder, showing my new design;

FIG. 2 is a rear elevation view thereof;

FIG. 3 is a right side elevation view thereof;

FIG. 4 is a left side elevation view thereof;

FIG. 5 is a top plan view thereof; and,

FIG. 6 is a bottom plan view thereof.

1 Claim, 2 Drawing Sheets

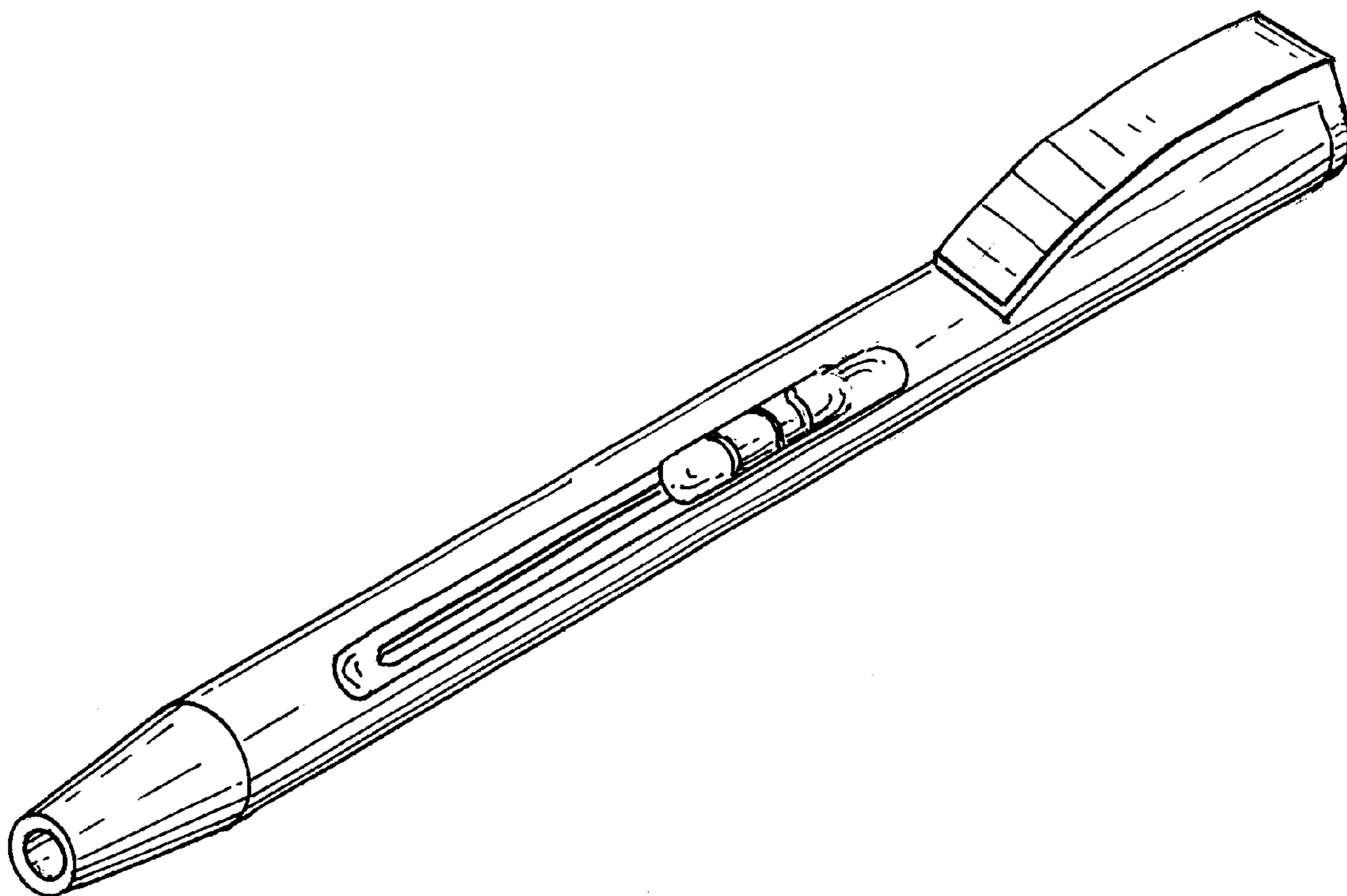


FIG. 1

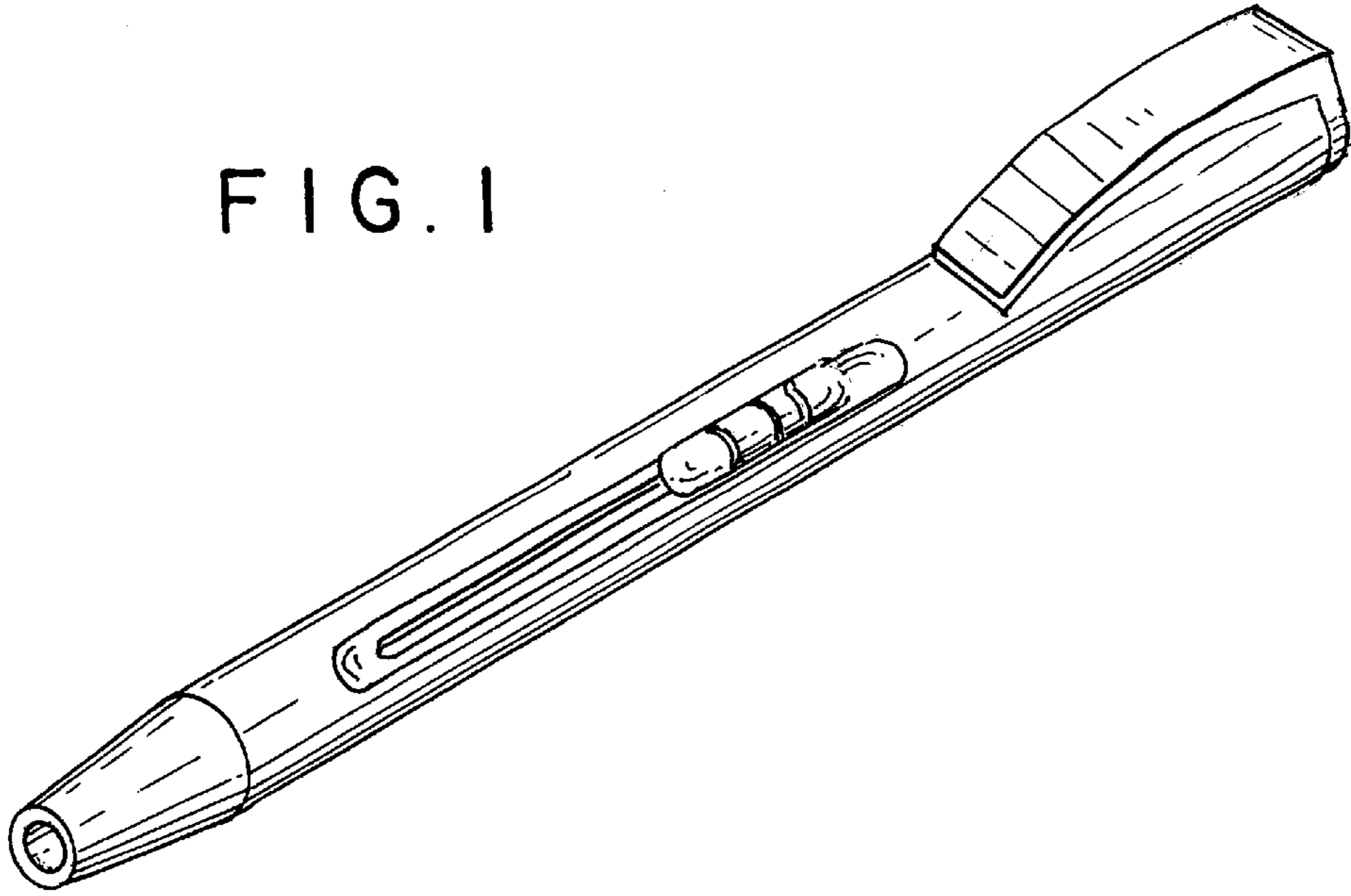


FIG. 2

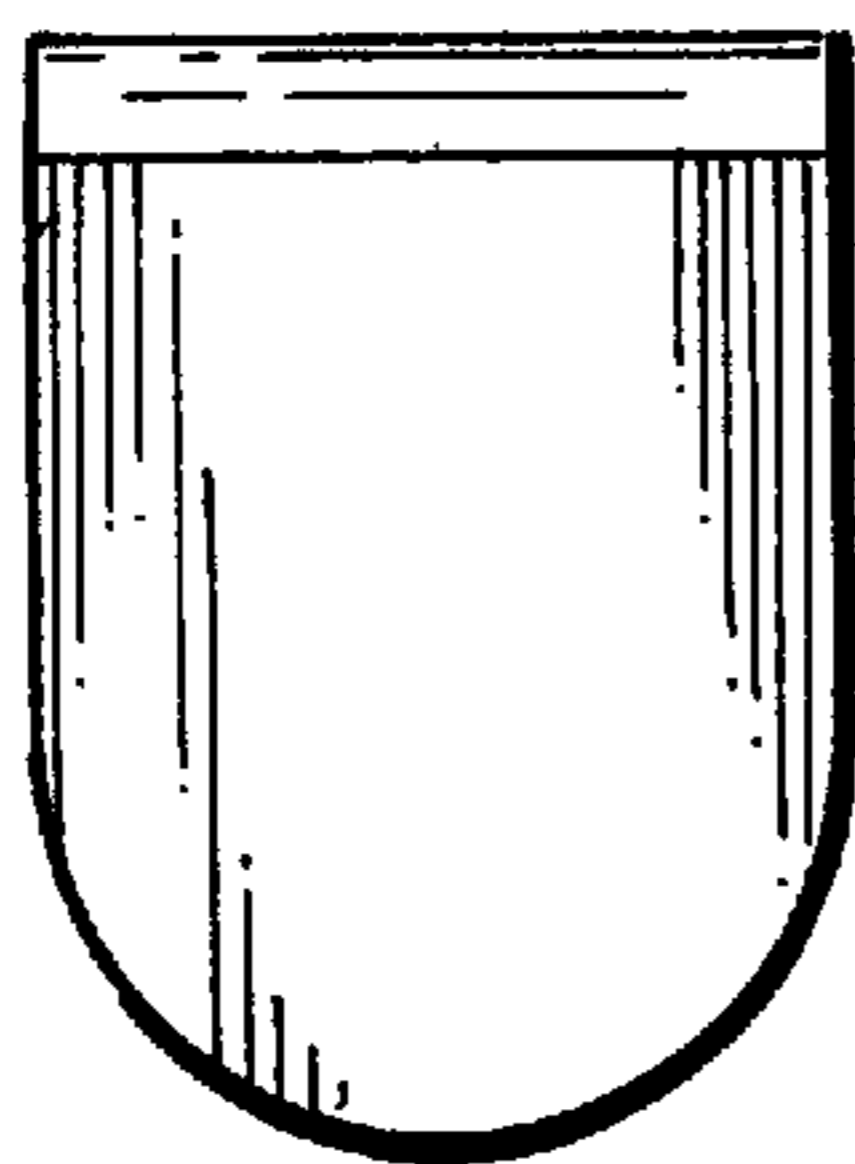
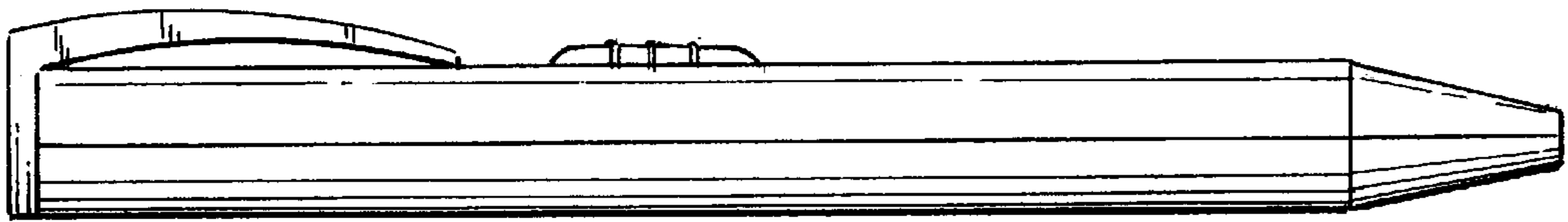


FIG. 3

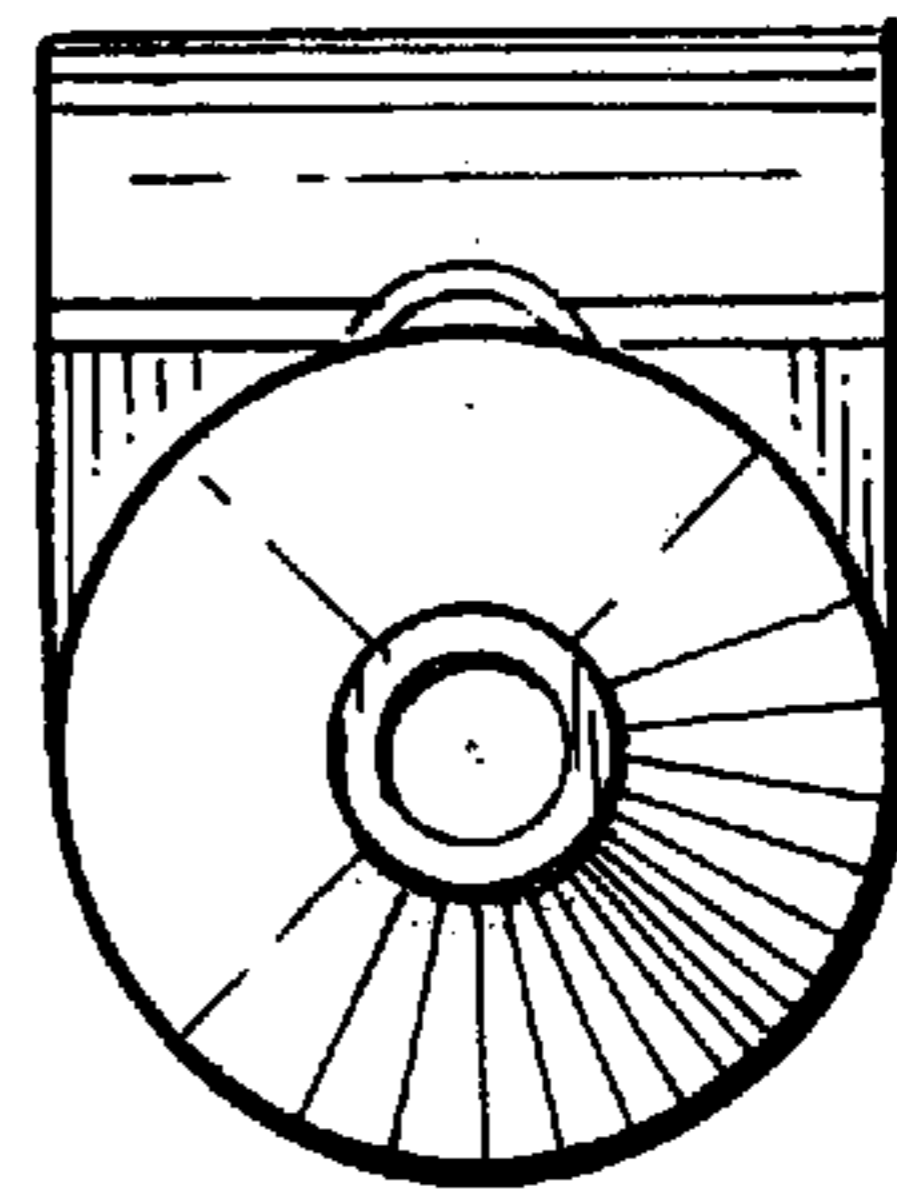


FIG. 4

FIG. 5

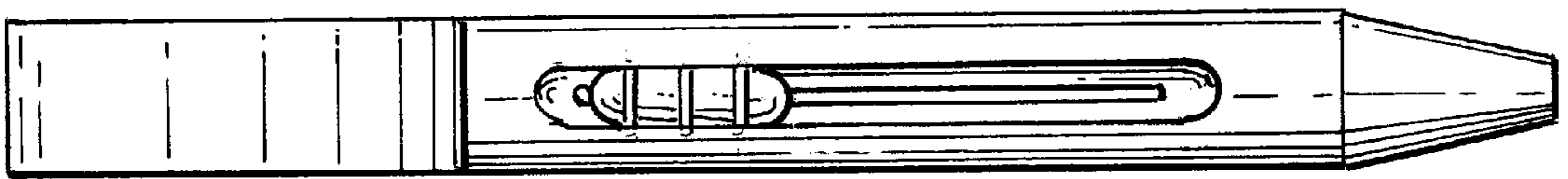


FIG. 6

