



US00D489452S

(12) **United States Design Patent**
Schweikert

(10) **Patent No.:** **US D489,452 S**

(45) **Date of Patent:** **** May 4, 2004**

(54) **CATHETER INFORMATION RING**

5,971,436 A * 10/1999 Cox 40/316
5,974,708 A * 11/1999 Webb et al. 40/316

(75) Inventor: **Timothy Schweikert**, Levittown, PA
(US)

* cited by examiner

(73) Assignee: **Medical Components, Inc.**,
Harleysville, PA (US)

Primary Examiner—Ian Simmons

(74) *Attorney, Agent, or Firm*—Joseph E. Maenner; Monte
& McGraw, P.C.

(**) Term: **14 Years**

(57) **CLAIM**

(21) Appl. No.: **29/168,639**

The ornamental design for a catheter information ring, as
shown and described.

(22) Filed: **Oct. 4, 2002**

(51) **LOC (7) Cl.** **24-02**

(52) **U.S. Cl.** **D24/128; D24/127; D24/133**

(58) **Field of Search** D24/129, 127,
D24/128, 133, 143; D8/396, 394, 395;
D20/22; 40/316, 666, 299.01

DESCRIPTION

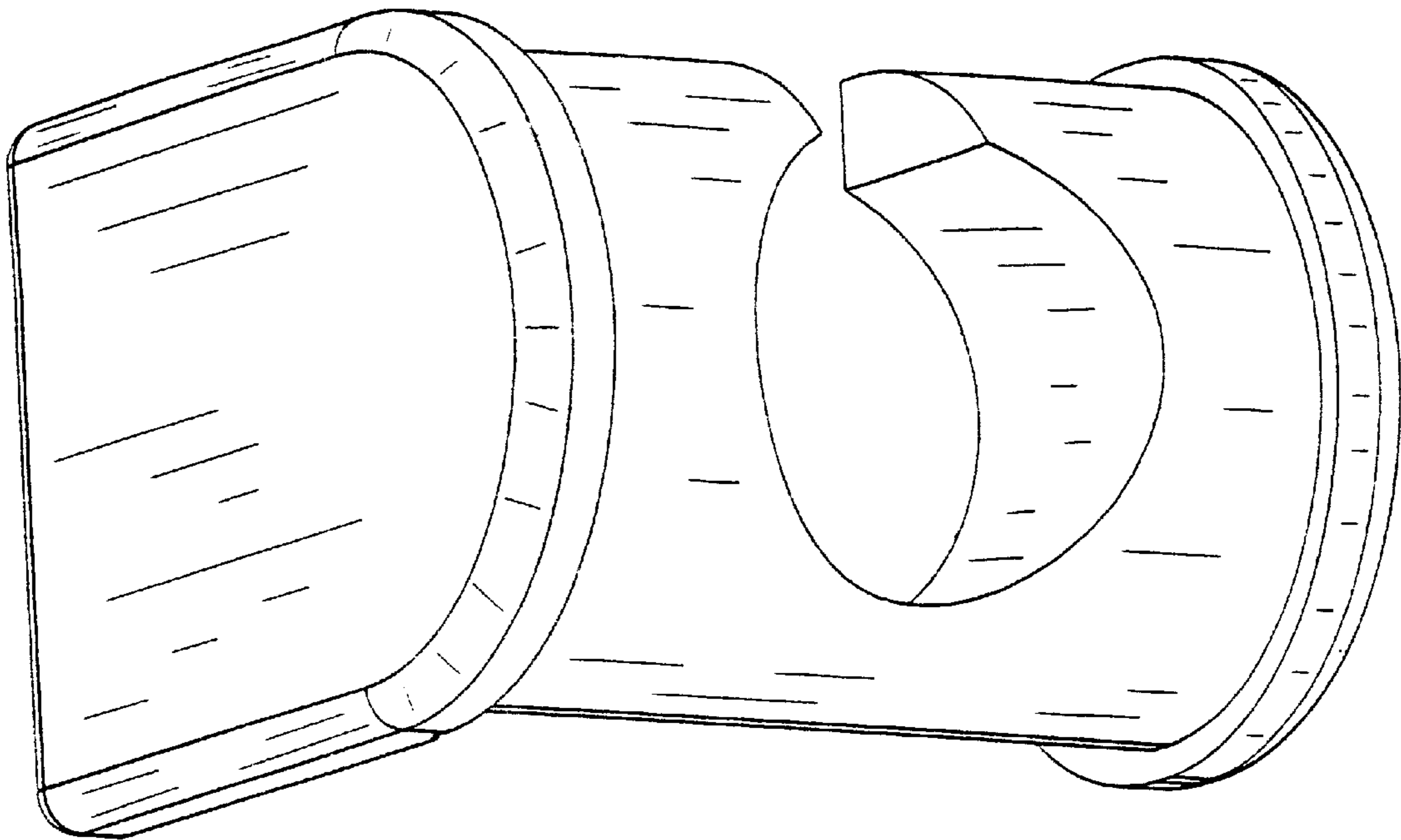
FIG. 1 is a perspective view of a catheter information ring
showing my new design;
FIG. 2 is a front elevational view thereof;
FIG. 3 is a top plan view thereof;
FIG. 4 is a rear elevational view thereof;
FIG. 5 is a bottom plan view thereof
FIG. 6 is a right side elevational view thereof; and,
FIG. 7 is a left side elevational view thereof.

(56) **References Cited**

U.S. PATENT DOCUMENTS

5,203,056 A 4/1993 Funk et al.
D381,367 S * 7/1997 Rashman D20/22

1 Claim, 2 Drawing Sheets



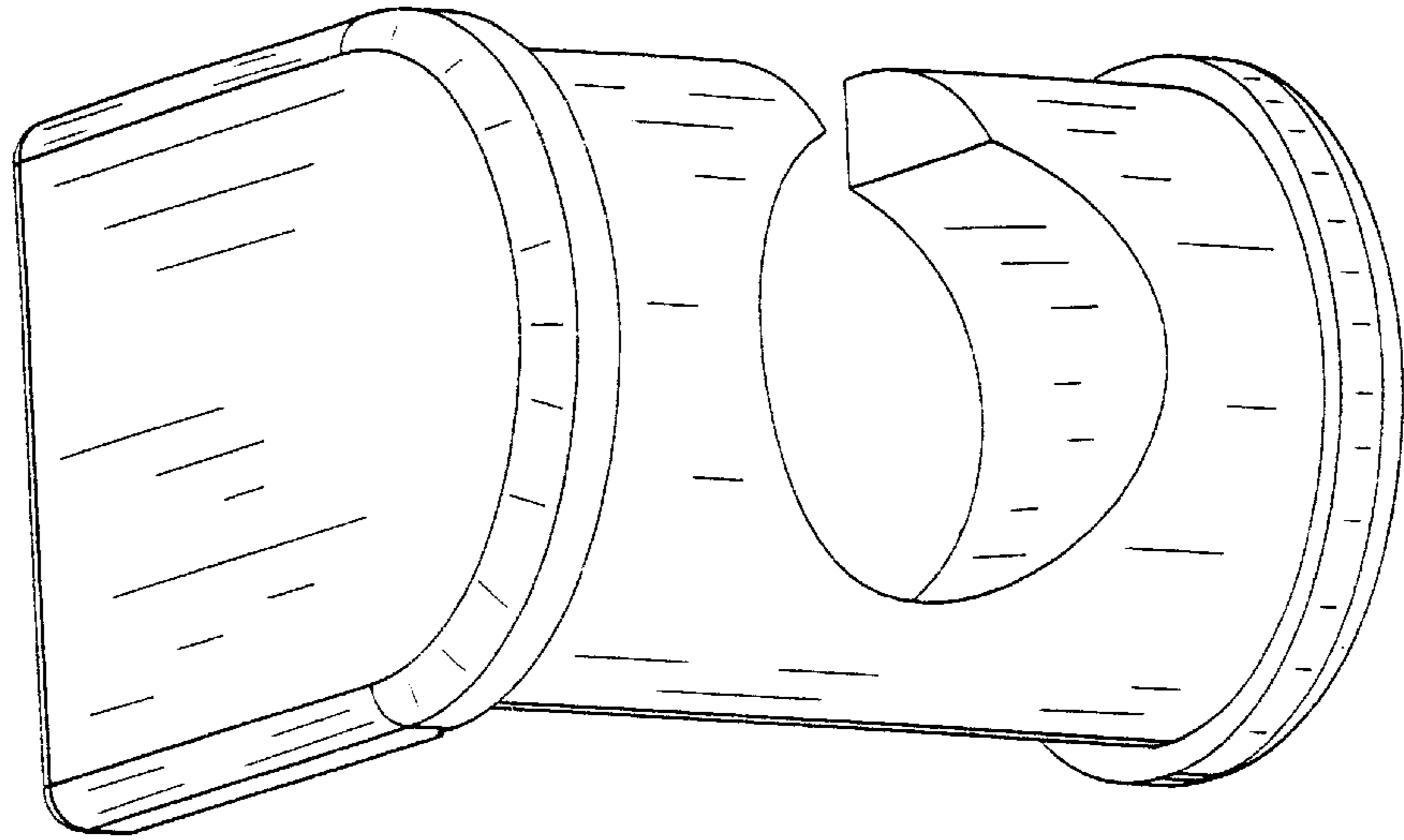


FIGURE 1

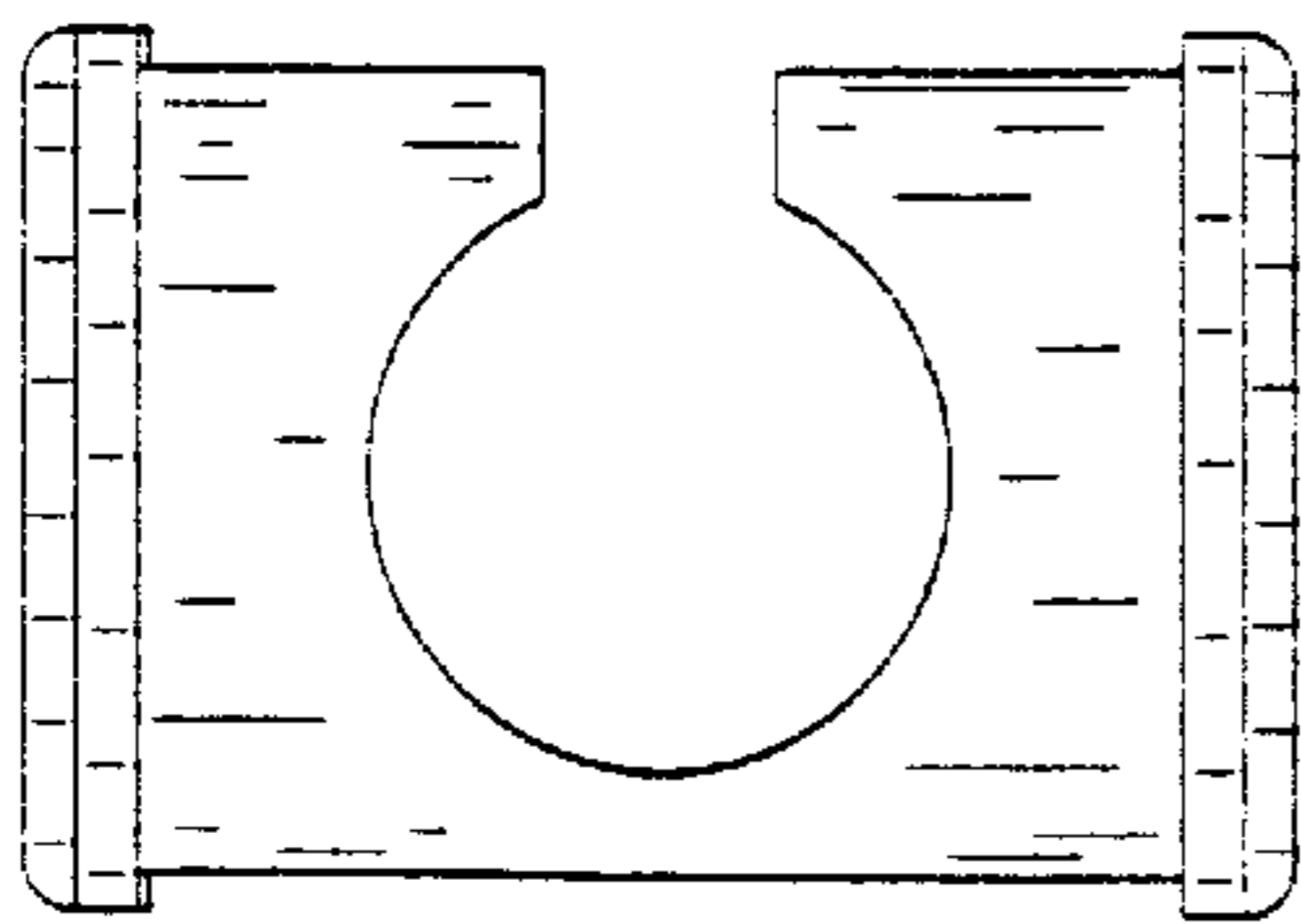


FIGURE 2

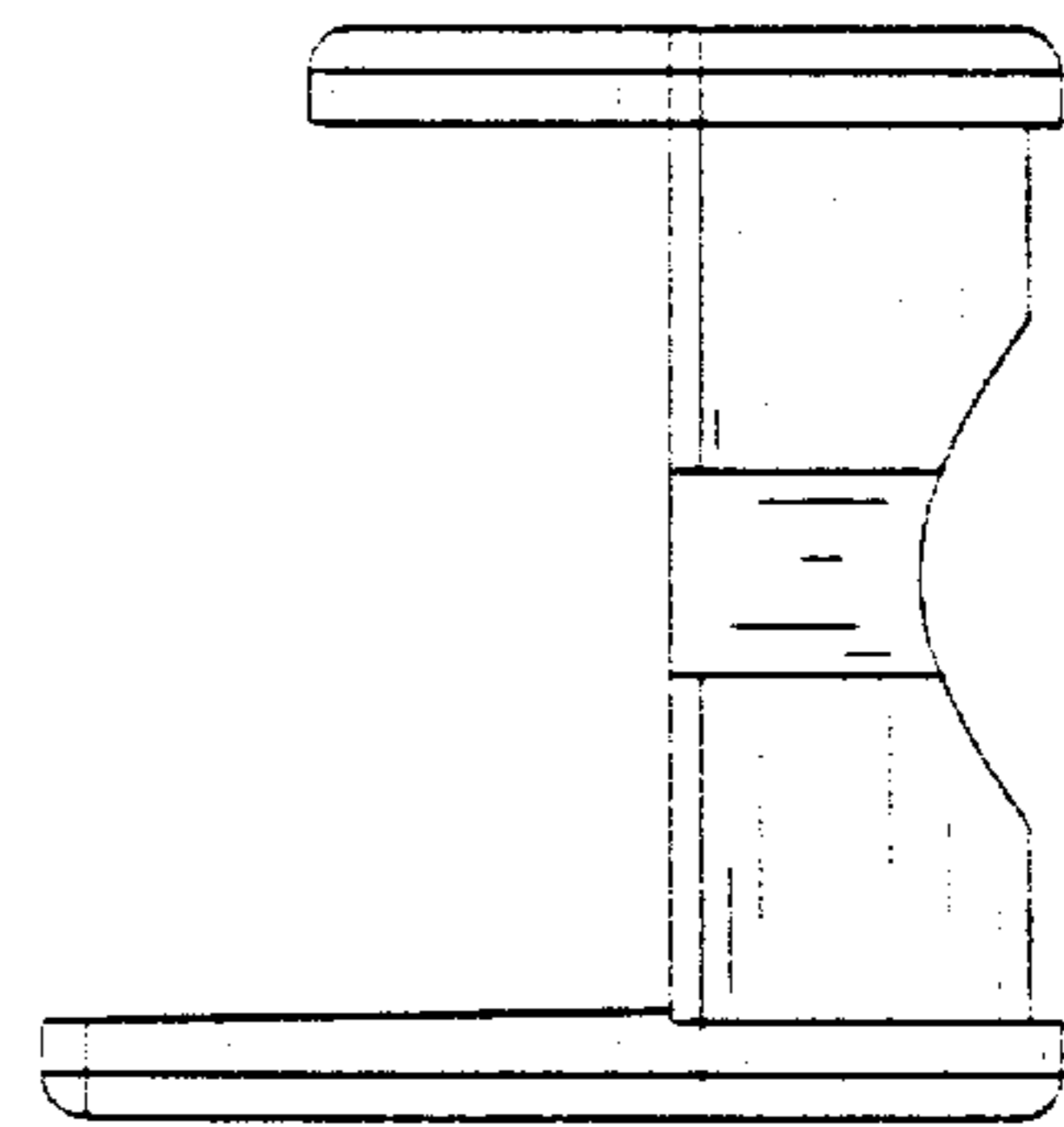


FIGURE 3

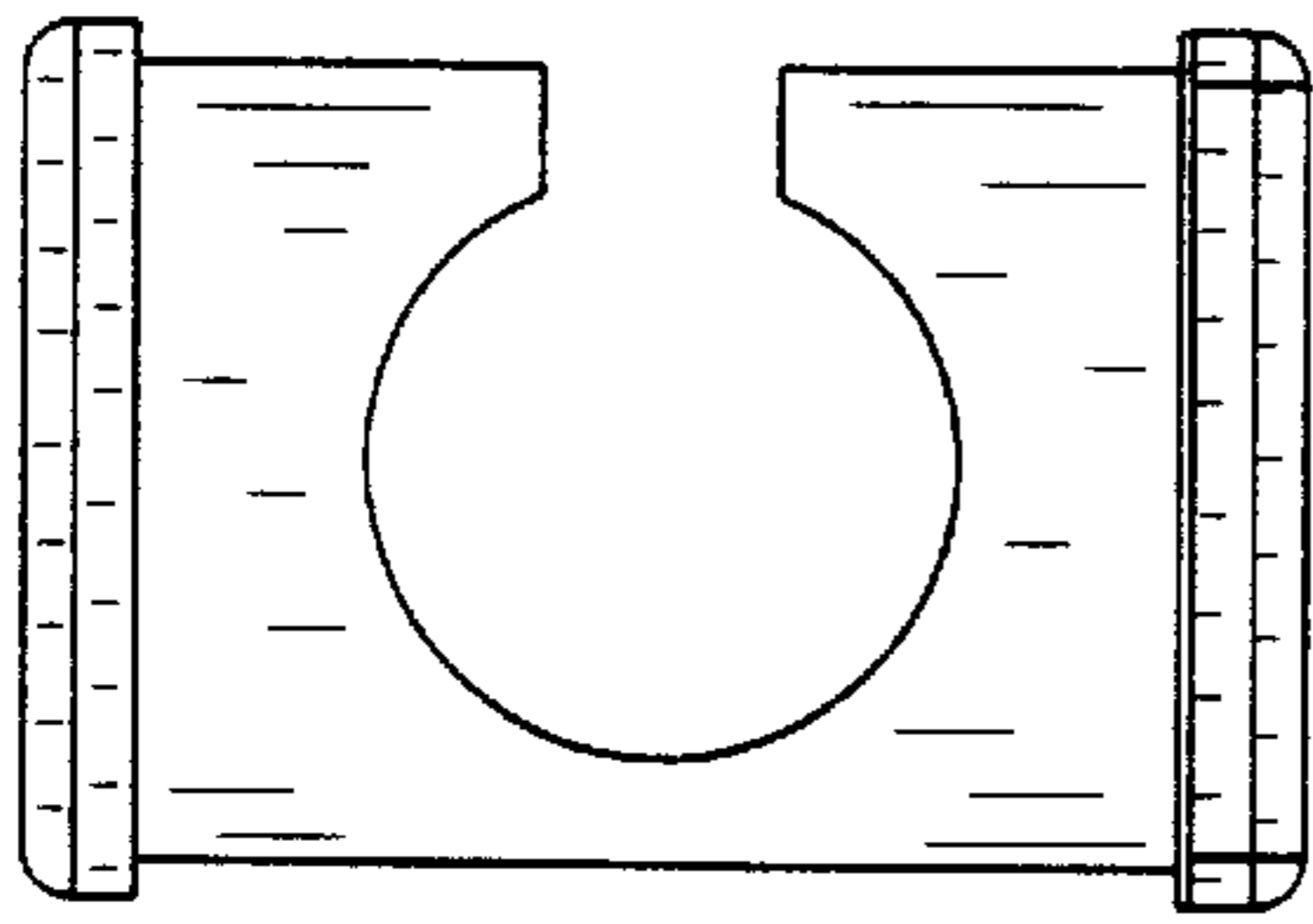


FIGURE 4

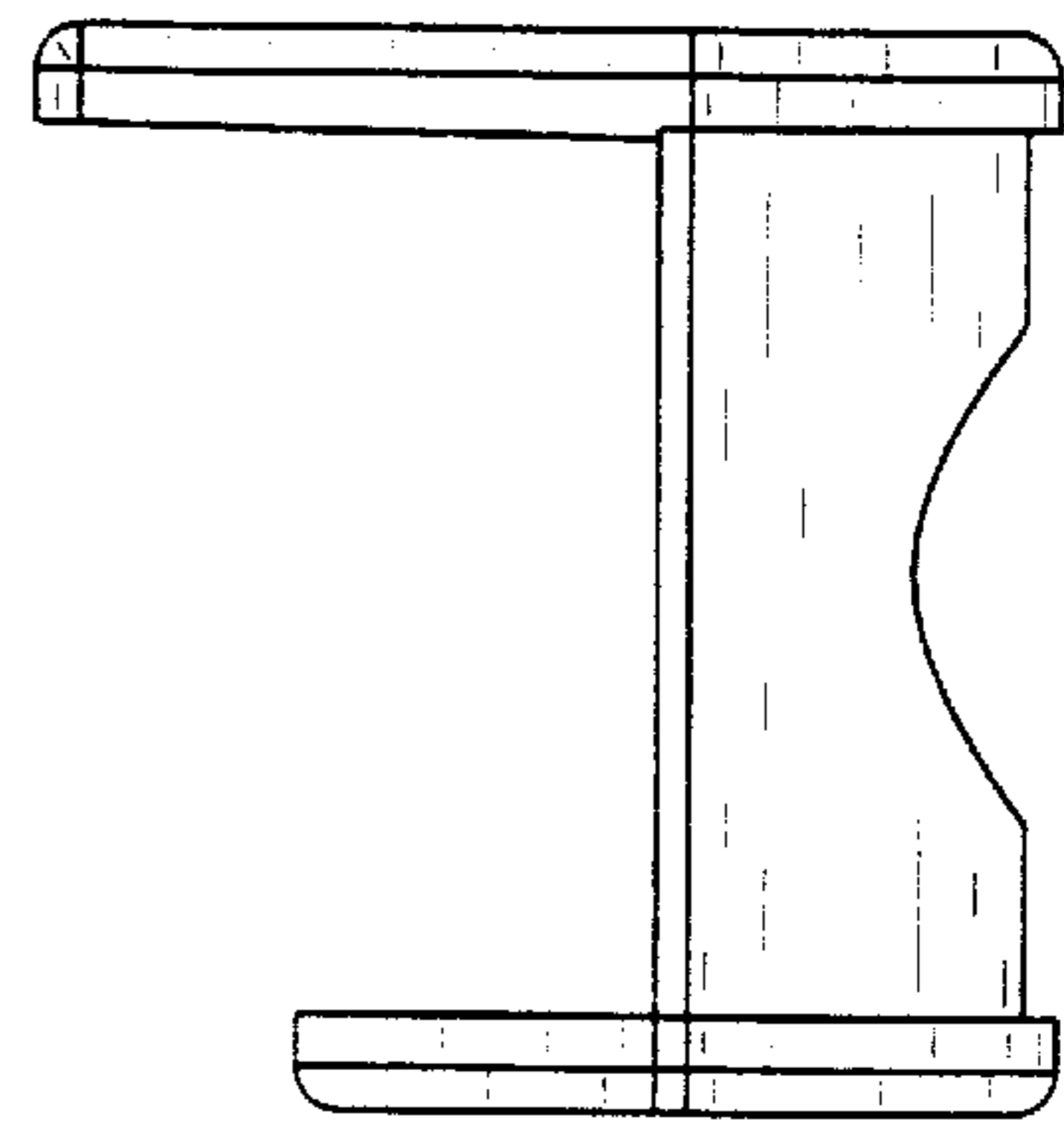


FIGURE 5

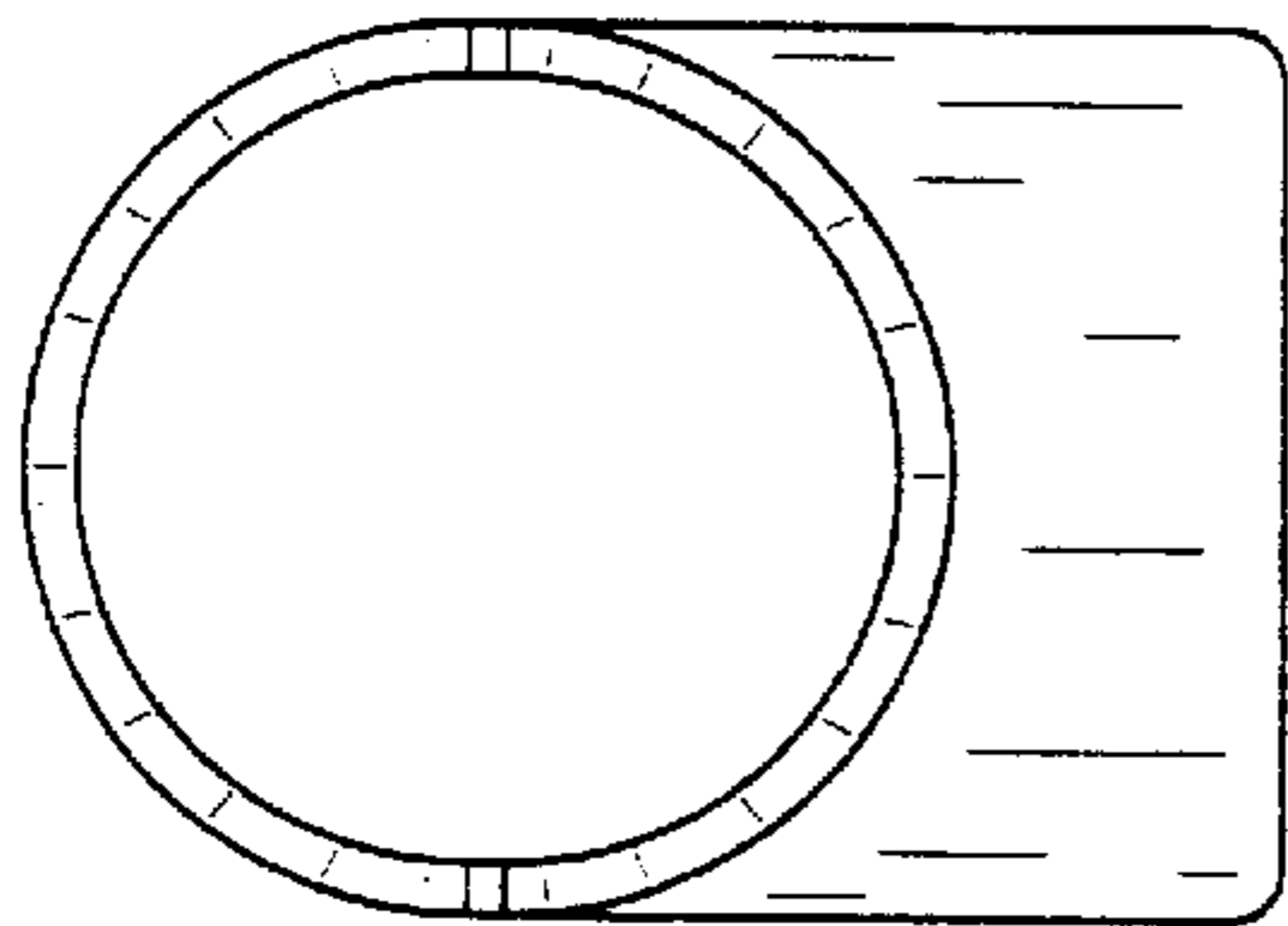


FIGURE 6

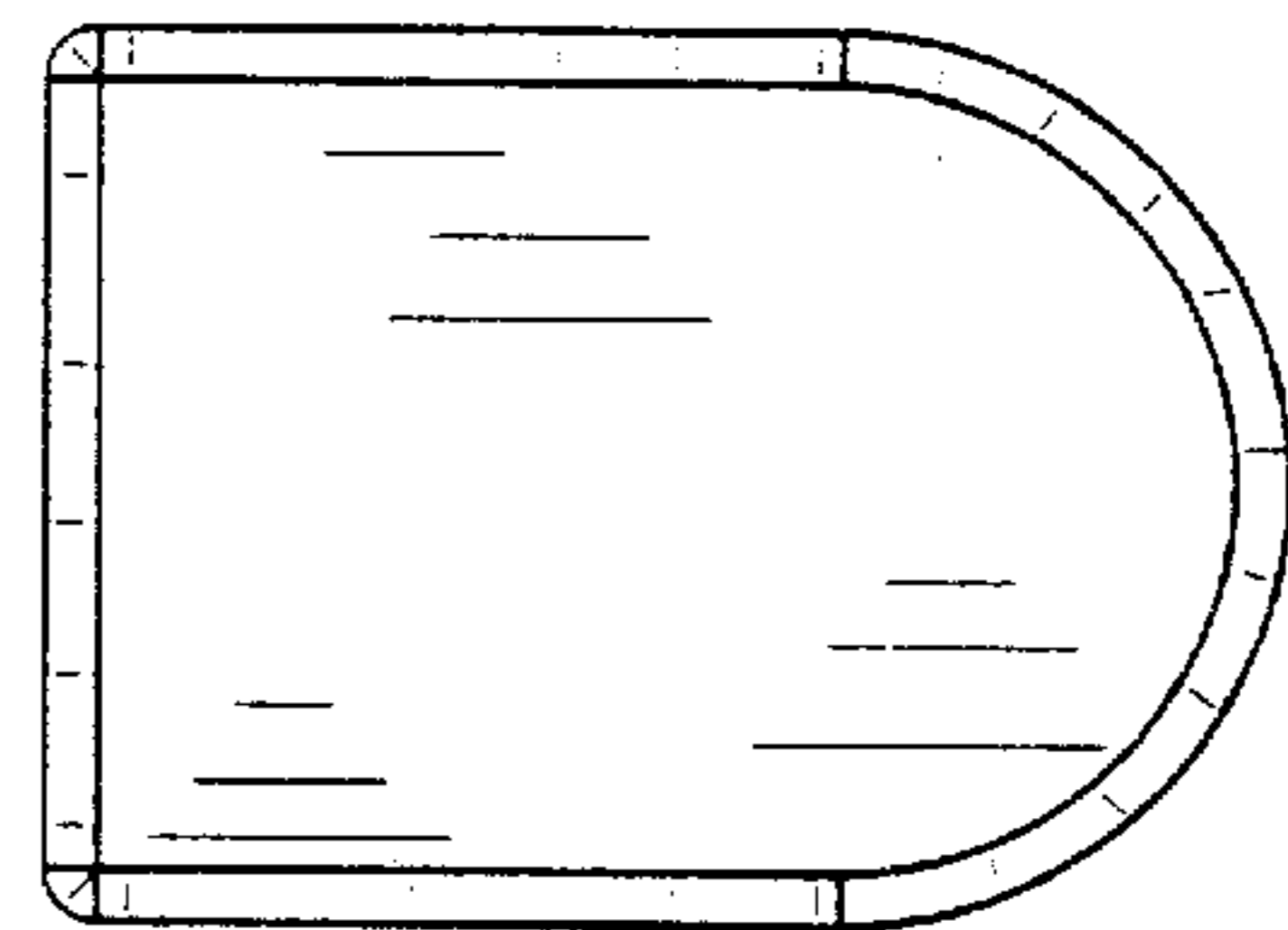


FIGURE 7

UNITED STATES PATENT AND TRADEMARK OFFICE
CERTIFICATE OF CORRECTION

PATENT NO. : Des. 489,452 S
DATED : May 4, 2004
INVENTOR(S) : Timothy Schweikert

Page 1 of 1

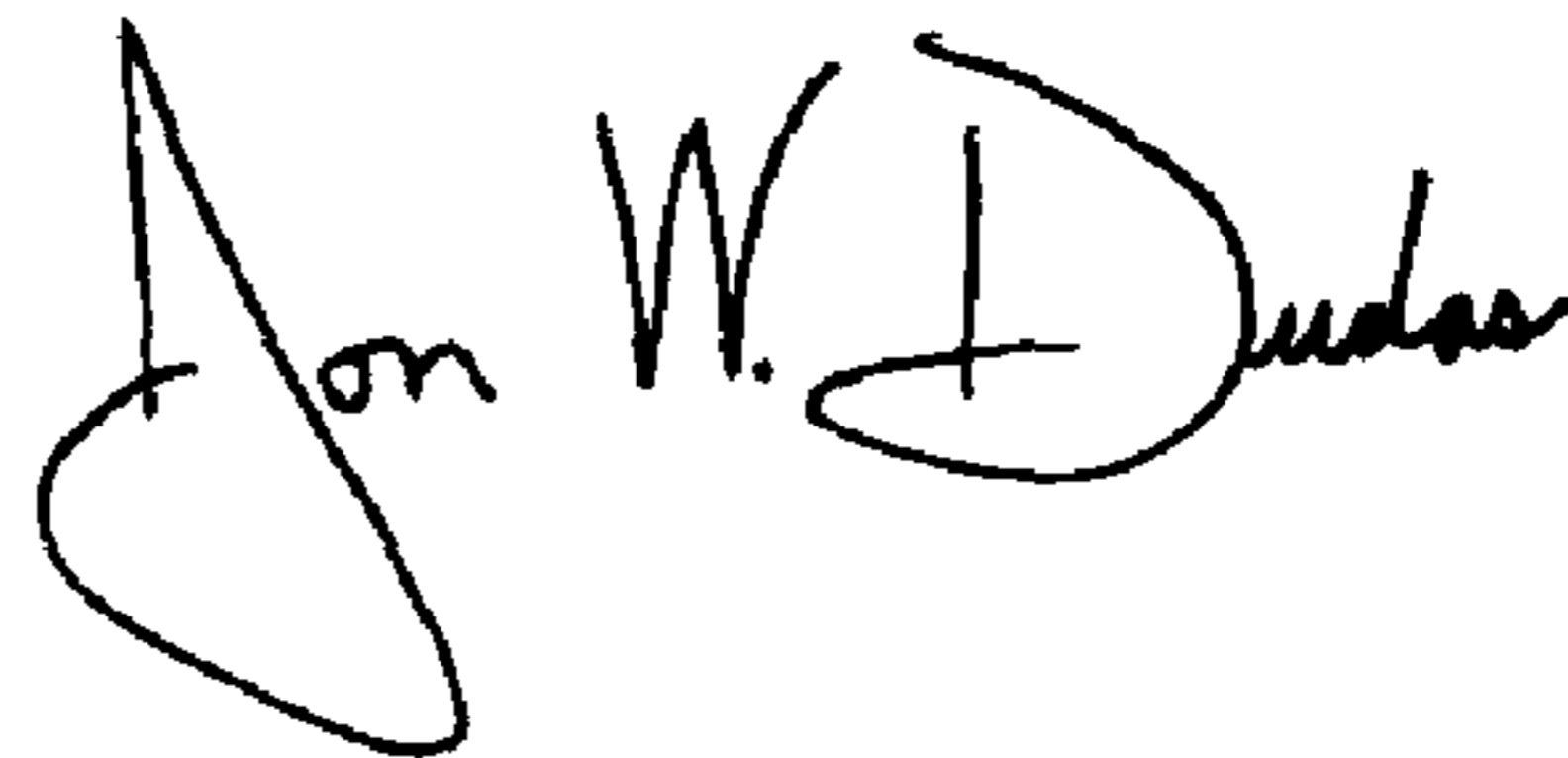
It is certified that error appears in the above-identified patent and that said Letters Patent is hereby corrected as shown below:

Title page,

Item [*] Notice, please add -- This patent is subject to a Terminal Disclaimer. --

Signed and Sealed this

Twenty-fourth Day of May, 2005

A handwritten signature in black ink that reads "Jon W. Dudas". The signature is written in a cursive style with a large, looped initial "J".

JON W. DUDAS

Director of the United States Patent and Trademark Office