



US00D489447S

(12) **United States Design Patent**
Young

(10) **Patent No.:** **US D489,447 S**

(45) **Date of Patent:** **** May 4, 2004**

(54) **CEILING FAN BLADE**

(57) **CLAIM**

The ornamental design for a ceiling fan blade, as shown and described.

(75) **Inventor:** **Stanfield Young**, Cypress, CA (US)

DESCRIPTION

(73) **Assignee:** **Minka Lighting, Inc.**, Corona, CA (US)

FIG. 1 is a perspective view from below of the ceiling fan blade in accordance with my design, illustrating the environment of the blade;

(**) **Term:** **14 Years**

FIG. 2 is a top plan view of the ceiling fan blade, on a reduced scale in accordance with my design, illustrating the environment of the blade;

(21) **Appl. No.:** **29/165,156**

FIG. 3 is a side elevation view of the ceiling fan blade, on a reduced scale in accordance with my design, illustrating the environment of the blade;

(22) **Filed:** **Aug. 5, 2002**

(51) **LOC (7) Cl.** **23-04**

FIG. 4 is a left elevation view of the ceiling fan blade in accordance with my design;

(52) **U.S. Cl.** **D23/413**

FIG. 5 is a top plan view of the ceiling fan blade in accordance with my design;

(58) **Field of Search** D23/377, 379, D23/385, 411, 413; 416/5; 392/364

FIG. 6 is a right elevation view of the ceiling fan blade in accordance with my design;

(56) **References Cited**

U.S. PATENT DOCUMENTS

D408,074 S * 4/1999 Tai D23/377

D417,494 S * 12/1999 Evans D23/377

D425,610 S * 5/2000 Gee, II D23/377

FIG. 7 is a top plan view of the ceiling fan blade in accordance with my design;

OTHER PUBLICATIONS

Minka Lighting, Inc.; MinkaAire Two Thousand Two; Apr. 22, 2002; pp. 25, 25; Minka Lighting, Inc.; U.S.A.*

FIG. 8 is a front view of the ceiling fan blade in accordance with my design taken along line 8—8 in FIG. 5;

* cited by examiner

FIG. 9 is a back view of the ceiling fan blade in accordance with my design taken along line 9—9 in FIG. 5; and

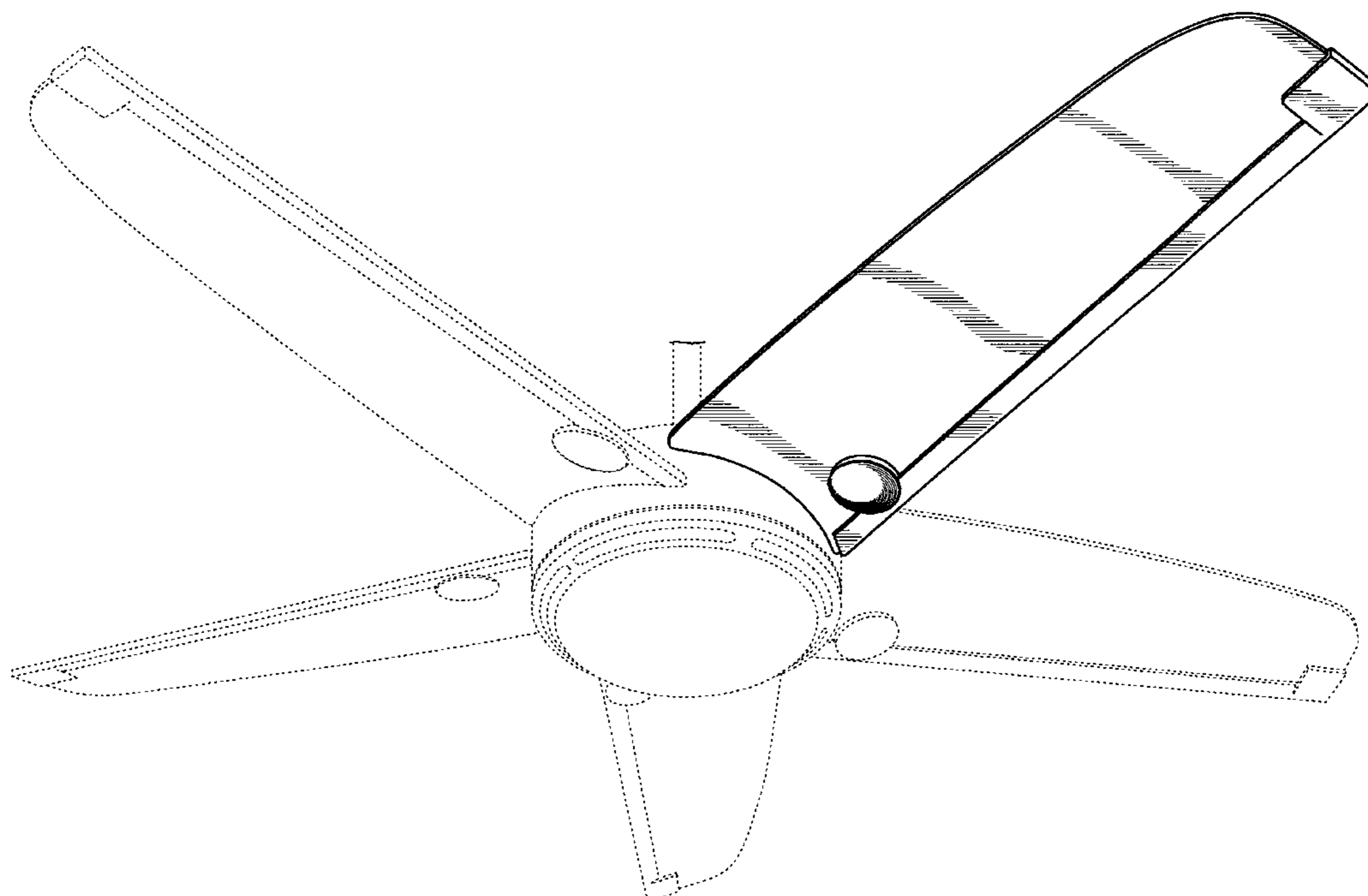
Primary Examiner—Lisa Lichtenstein

FIG. 10 is a perspective view from below of the ceiling fan blade in accordance with my design.

(74) *Attorney, Agent, or Firm*—Jenkins & Gilchrist, P.C.

The broken line showing of environmental structure in FIGS. 1—3 and 4—7 and FIG. 10 is for illustrative purposes only and forms no part of the claimed design.

1 Claim, 3 Drawing Sheets



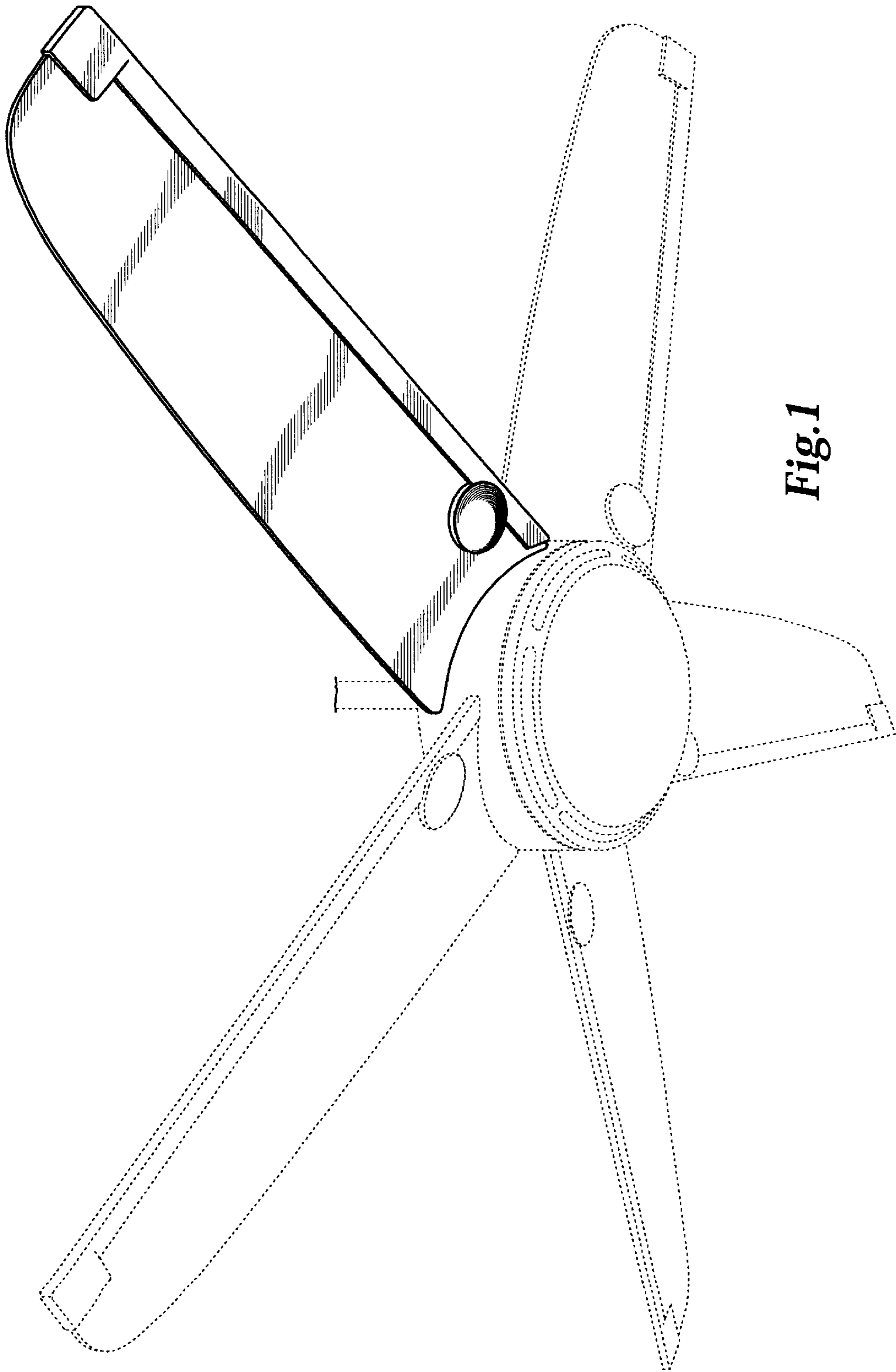


Fig. 1

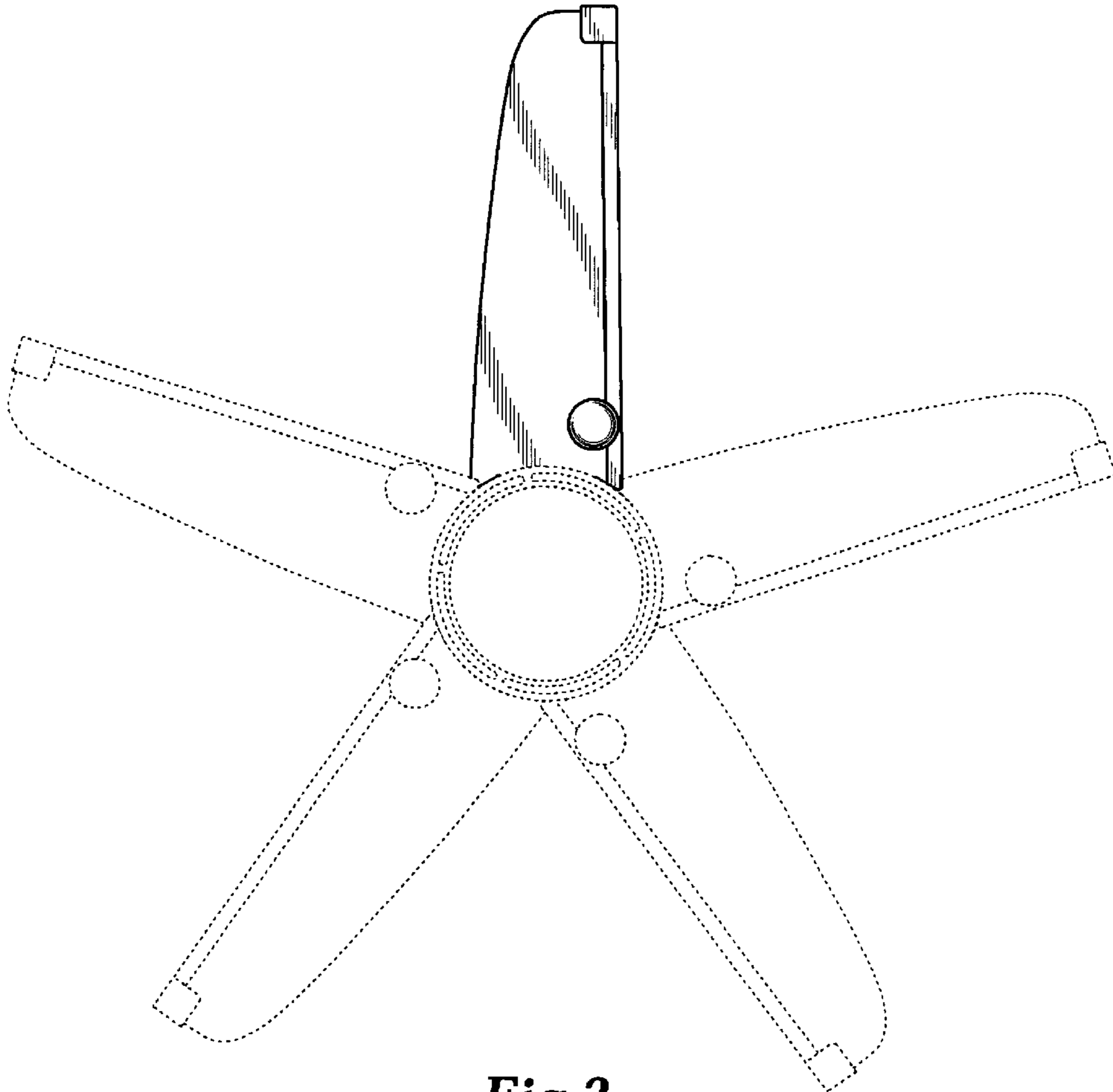


Fig.2

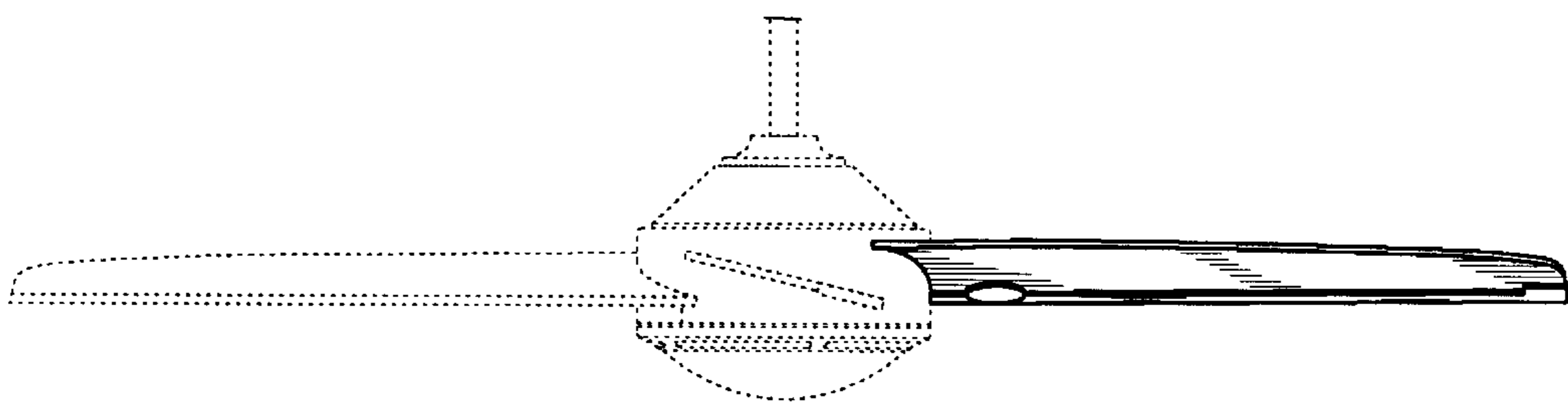


Fig.3

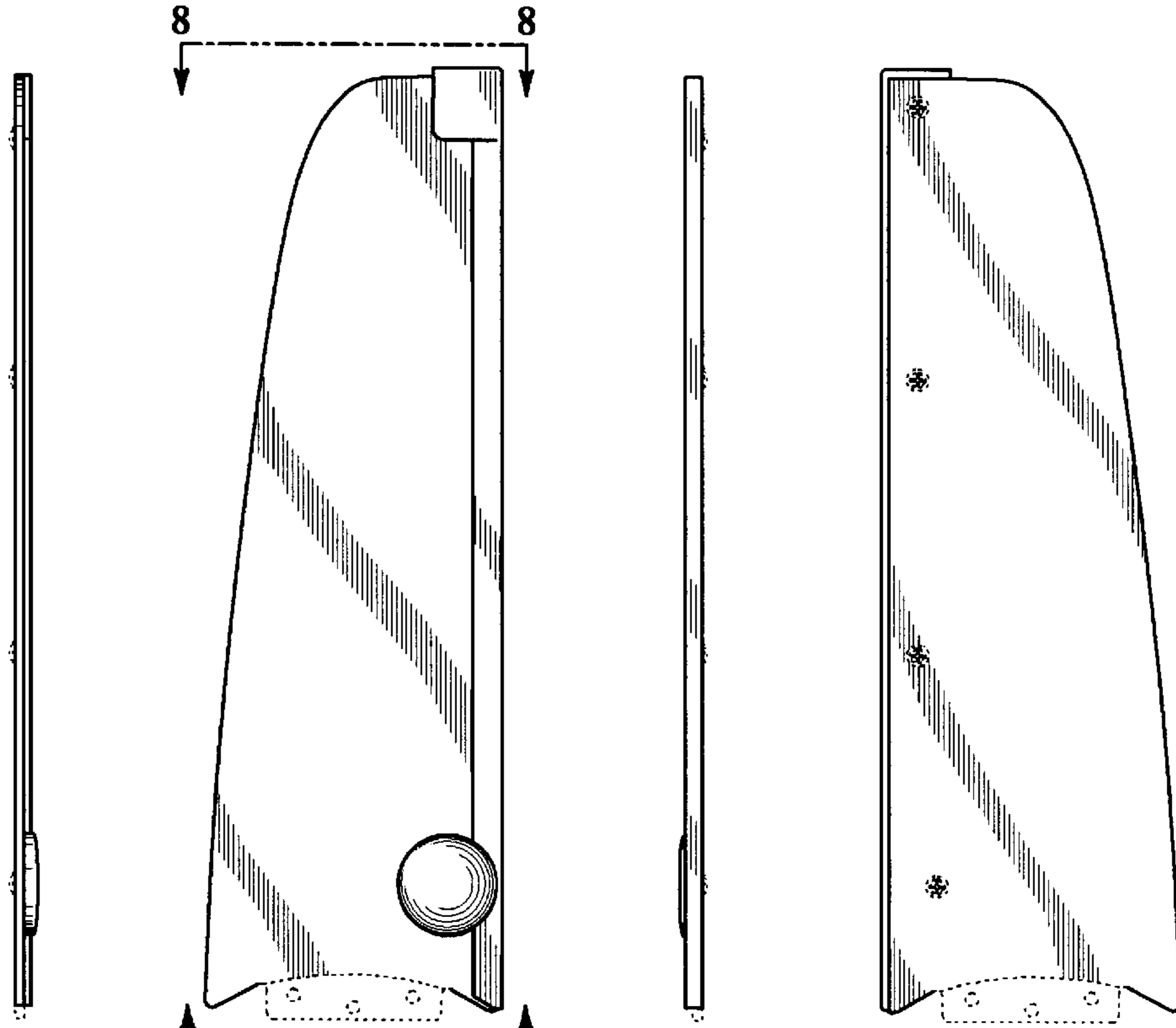


Fig.4

Fig.5

Fig.6

Fig.7



Fig.8



Fig.9

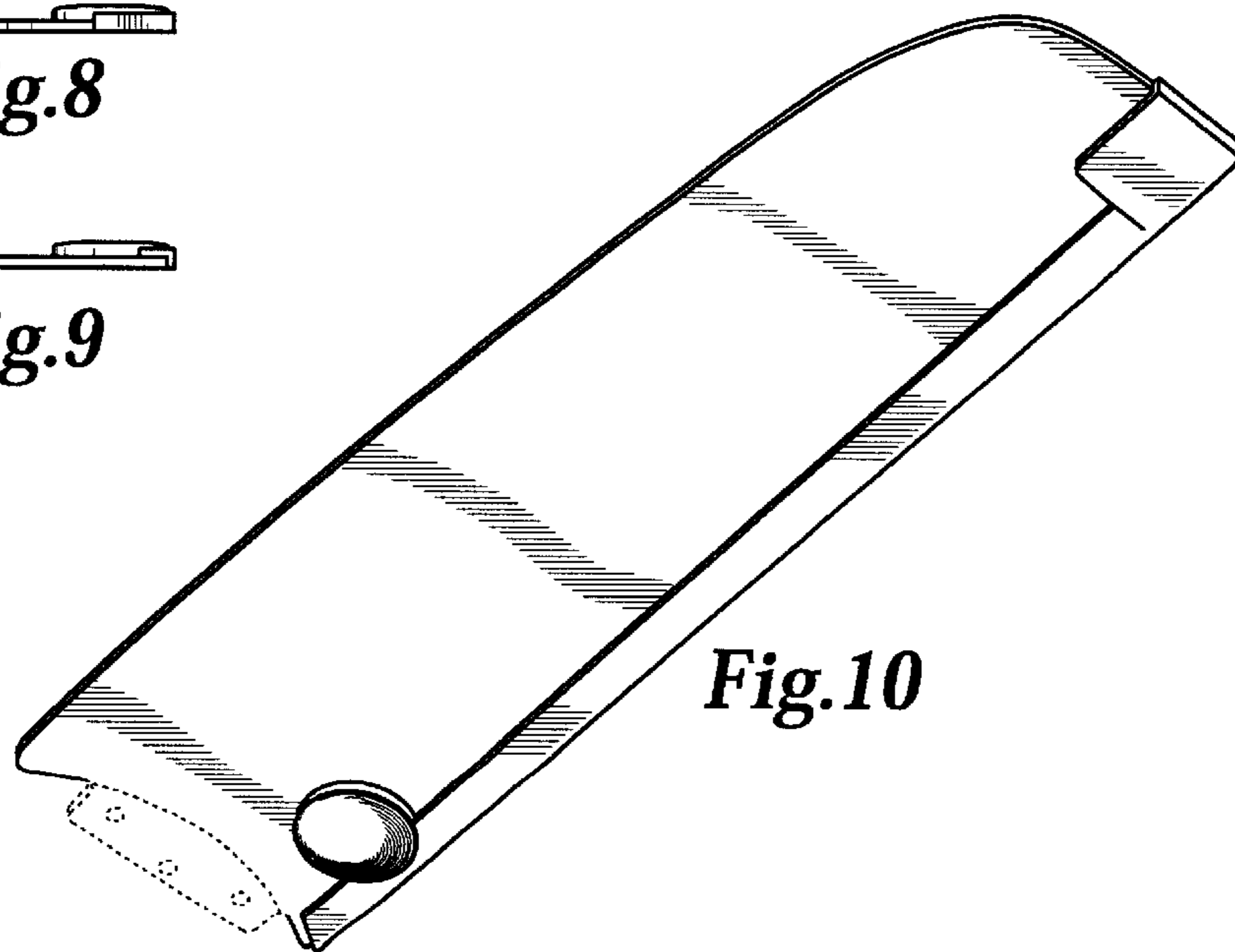


Fig.10