



US00D489446S

(12) **United States Design Patent**
Hoshina et al.

(10) **Patent No.:** **US D489,446 S**

(45) **Date of Patent:** **** May 4, 2004**

(54) **FAN FOR A MOTOR**

D439,323 S * 3/2001 Bradley D23/413

(75) Inventors: **Tomoaki Hoshina**, Tokyo (JP); **Shuhei Ishida**, Tokyo (JP)

FOREIGN PATENT DOCUMENTS

JP 08-334100 12/1996 F04D/29/38
JP 1048846 6/1999

(73) Assignee: **Nidec Copal Corporation**, Tokyo (JP)

* cited by examiner

(**) Term: **14 Years**

Primary Examiner—Lisa Lichtenstein

(21) Appl. No.: **29/162,450**

(74) *Attorney, Agent, or Firm*—Darby & Darby

(22) Filed: **Jun. 14, 2002**

(57) **CLAIM**

(30) **Foreign Application Priority Data**

The ornamental design for a fan for a motor, as shown and described.

Dec. 14, 2001 (JP) 2001-036755

DESCRIPTION

(51) **LOC (7) Cl.** **23-04**

(52) **U.S. Cl.** **D23/413**

(58) **Field of Search** D23/413, 370,
D23/411; 416/169 A, 183, 228, 235, 236 R,
237; 361/695, 697

FIG. 1 is a perspective view of a fan for a motor, showing our new design;

FIG. 2 is a front view of the fan for a motor shown in FIG. 1;

FIG. 3 is a left side view of the fan for a motor shown in FIG. 1;

FIG. 4 is a rear view of the fan for a motor shown in FIG. 1;

FIG. 5 is a right side view of the fan for a motor shown in FIG. 1;

FIG. 6 is a top view of the fan for a motor shown in FIG. 1; and,

FIG. 7 is a bottom view of the fan for a motor shown in FIG. 1.

(56) **References Cited**

U.S. PATENT DOCUMENTS

| | | | |
|-------------|---------|-----------------|---------|
| 5,288,203 A | 2/1994 | Thomas | 415/178 |
| 5,502,619 A | 3/1996 | Wang | 361/697 |
| 5,519,575 A | 5/1996 | Chiou | 361/697 |
| 5,810,554 A | 9/1998 | Yokozawa et al. | 415/176 |
| 5,835,347 A | 11/1998 | Chu | 361/697 |
| 5,864,465 A | 1/1999 | Liu | 361/697 |
| 5,895,206 A | 4/1999 | Chuang et al. | 416/189 |
| 6,065,936 A | 5/2000 | Shingai et al. | 416/175 |

1 Claim, 3 Drawing Sheets

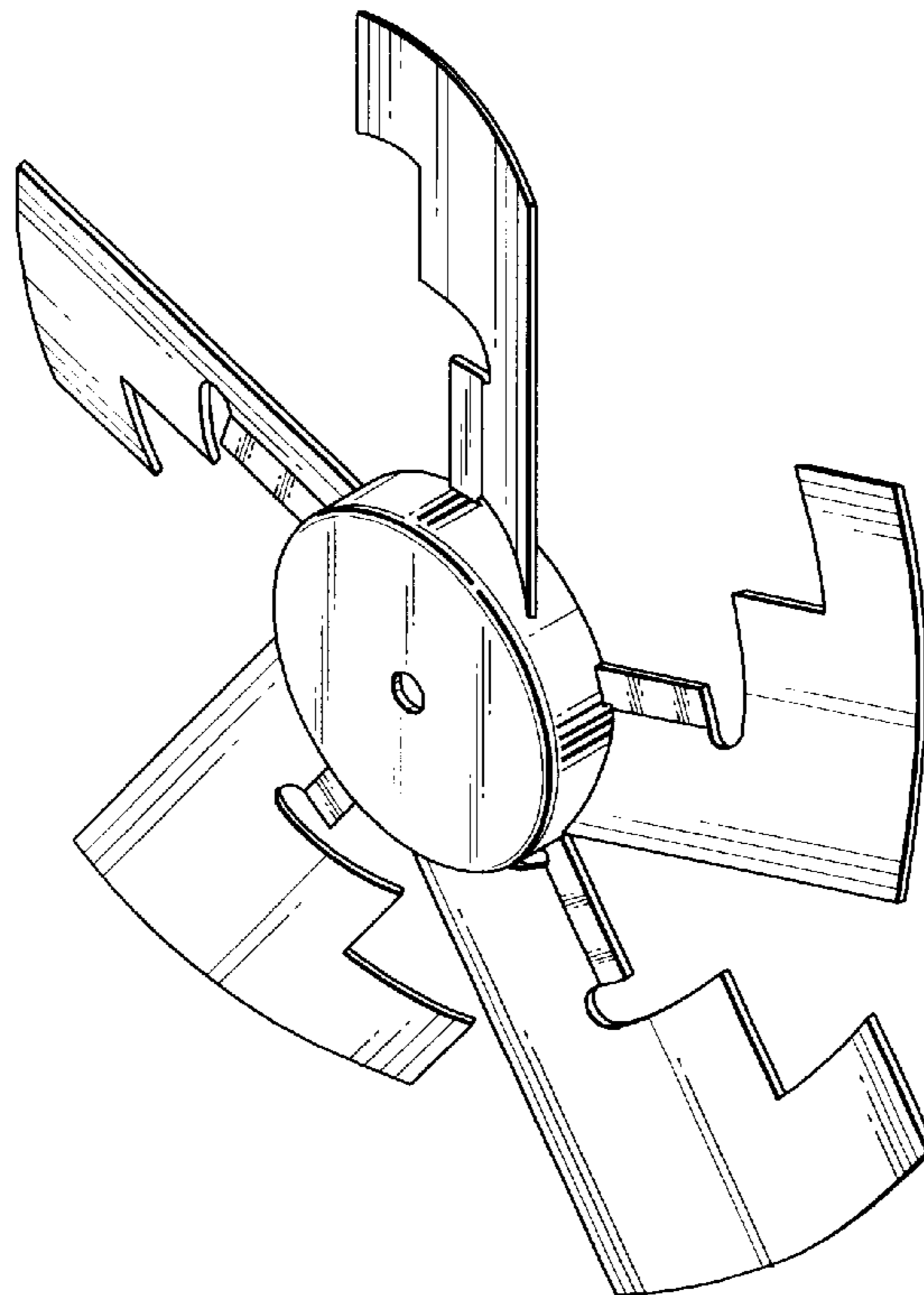


FIG. 1

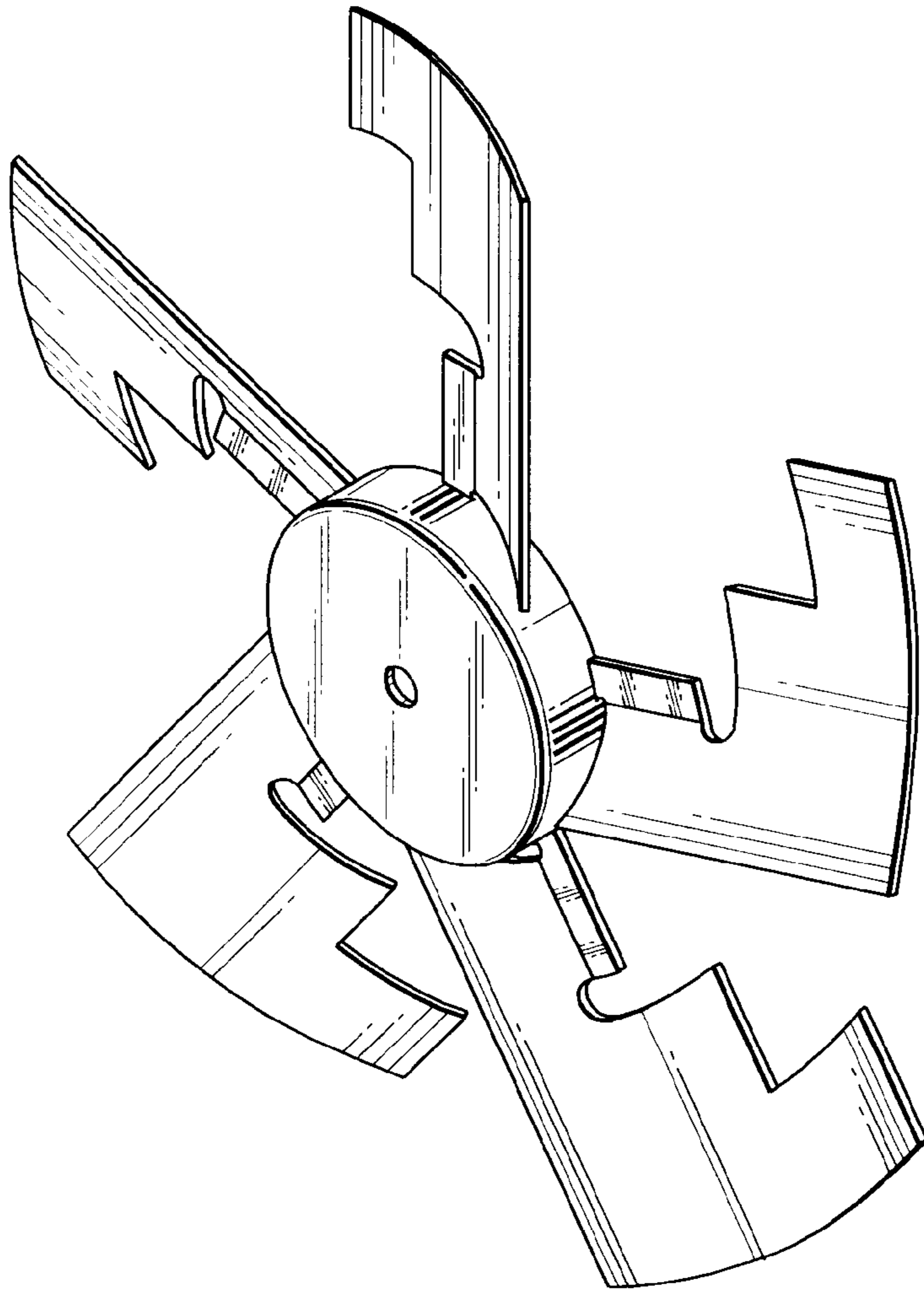


FIG.2

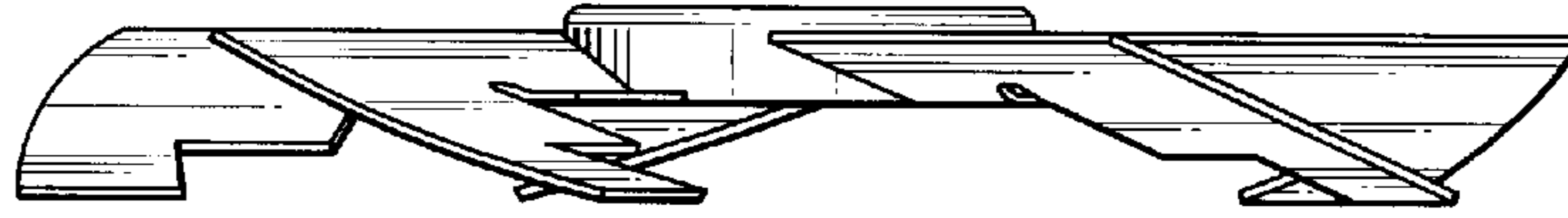


FIG.3

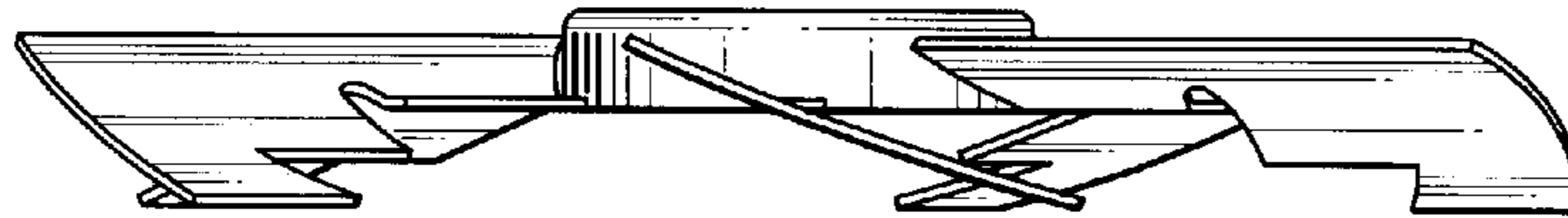


FIG.4

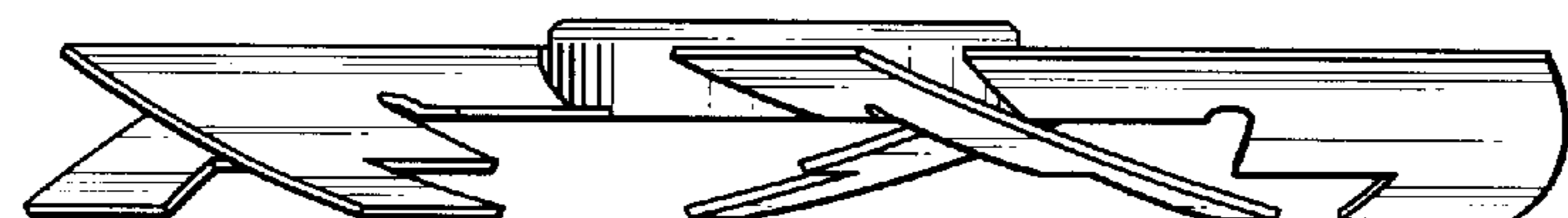


FIG.5



FIG.6

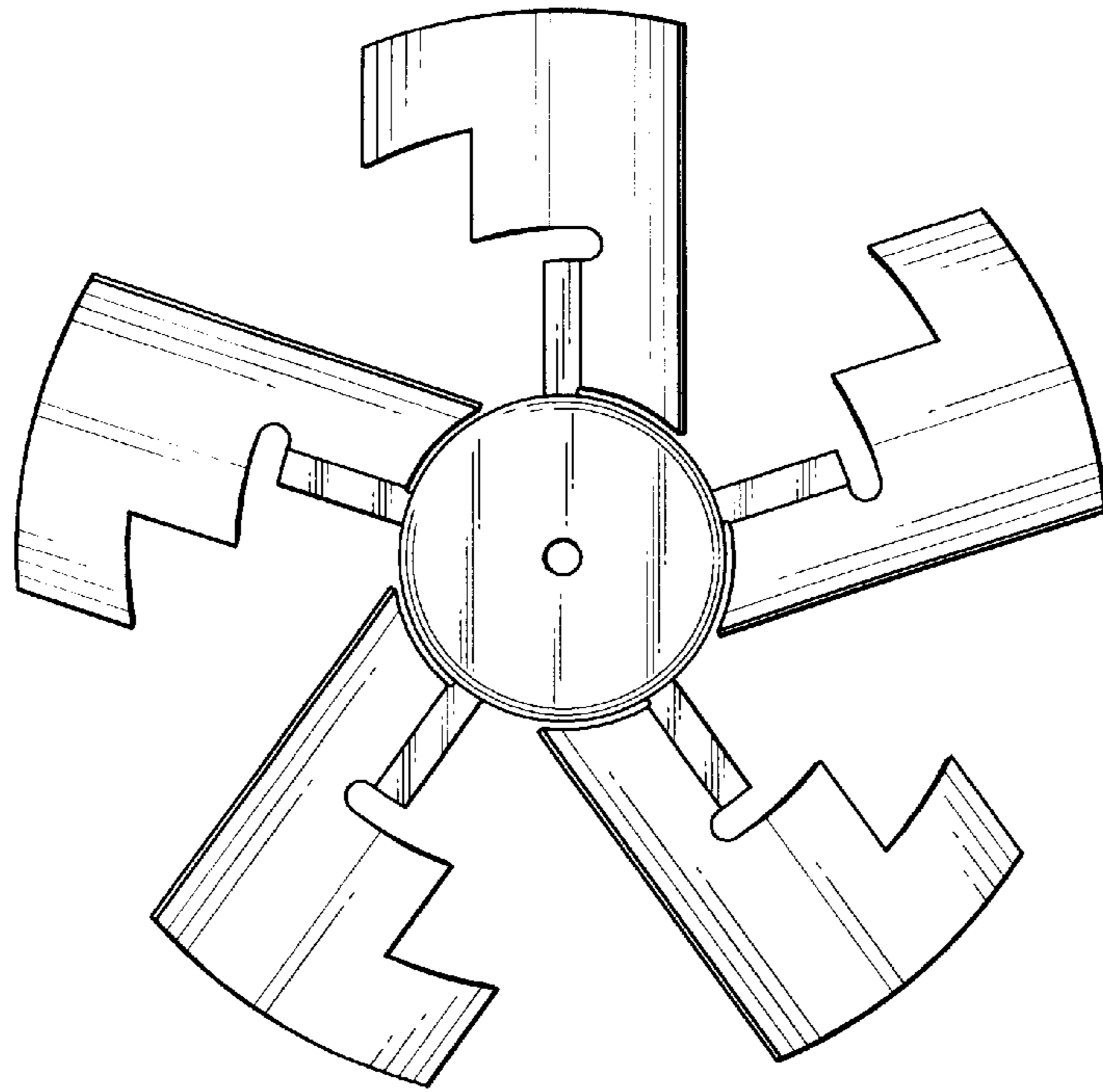


FIG.7

