



US00D489445S

(12) **United States Design Patent**
Burns

(10) **Patent No.:** **US D489,445 S**

(45) **Date of Patent:** **** May 4, 2004**

(54) **CEILING FAN LIGHT KIT**

(75) Inventor: **James P. Burns**, Memphis, TN (US)

(73) Assignee: **Hunter Fan Company**, Memphis, TN (US)

(**) Term: **14 Years**

(21) Appl. No.: **29/162,818**

(22) Filed: **Jun. 20, 2002**

(51) **LOC (7) Cl.** **23-04**

(52) **U.S. Cl.** **D23/411**

(58) **Field of Search** D23/411, 377,
D23/379, 385; 416/5; D26/59, 51, 72, 81-86,
88

(56) **References Cited**

U.S. PATENT DOCUMENTS

D430,280 S * 8/2000 Huang D23/377
D449,396 S * 10/2001 Campbell D26/59

OTHER PUBLICATIONS

Hunter 2001 Ceiling Fan Selection & Special Order Guide (The Esplanade).

* cited by examiner

Primary Examiner—Lisa Lichtenstein

(74) *Attorney, Agent, or Firm*—Baker Donelson

(57) **CLAIM**

The ornamental design for a ceiling fan light kit, as shown and described.

DESCRIPTION

FIG. 1 is a perspective view of a ceiling fan light kit showing my new design.

FIG. 2 is a top view thereof.

FIG. 3 is a bottom view thereof.

FIG. 4 is a front view thereof.

FIG. 5 is a rear view thereof.

FIG. 6 is a right side view thereof; and,

FIG. 7 is a left side view thereof.

1 Claim, 4 Drawing Sheets

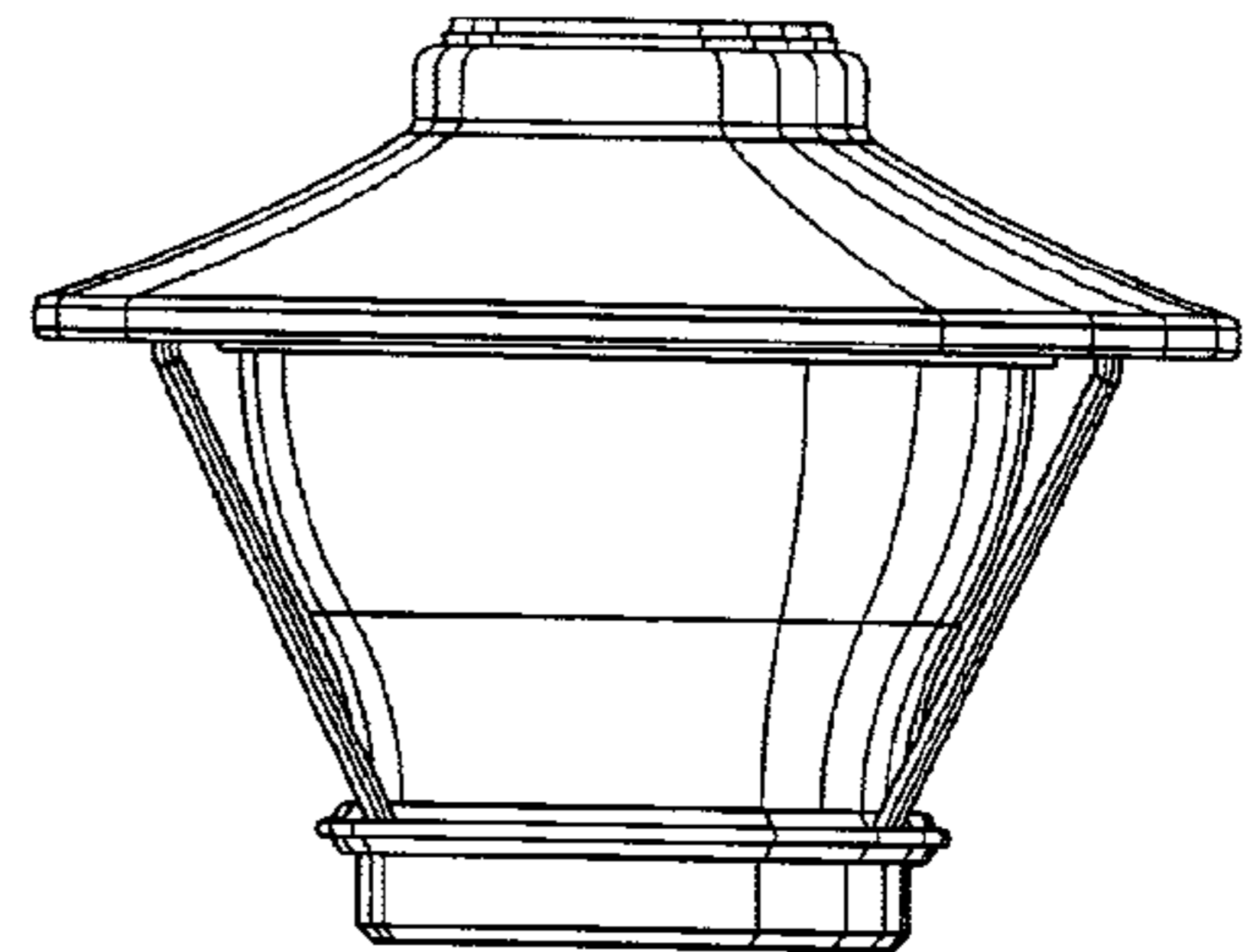
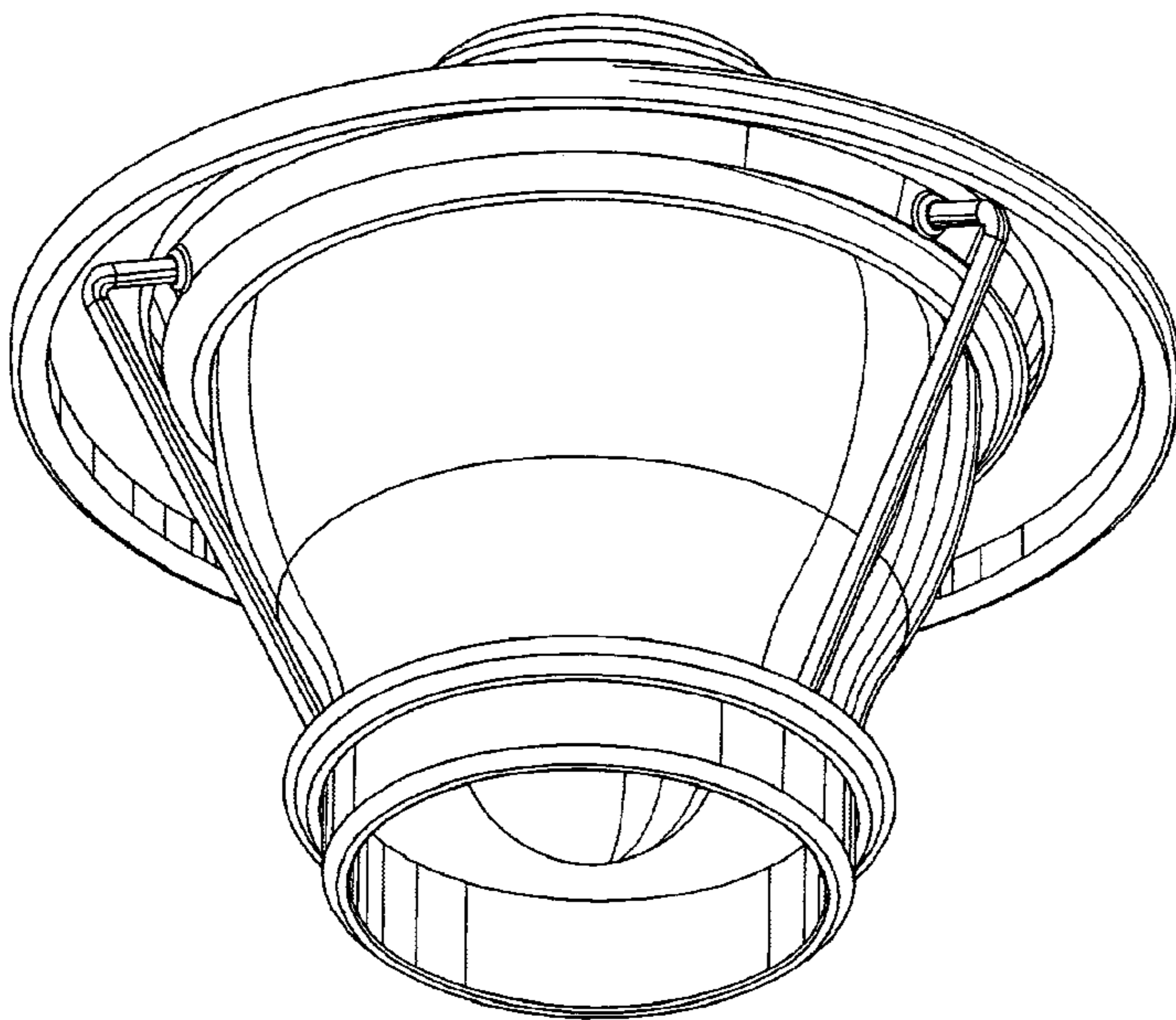


Fig. 1

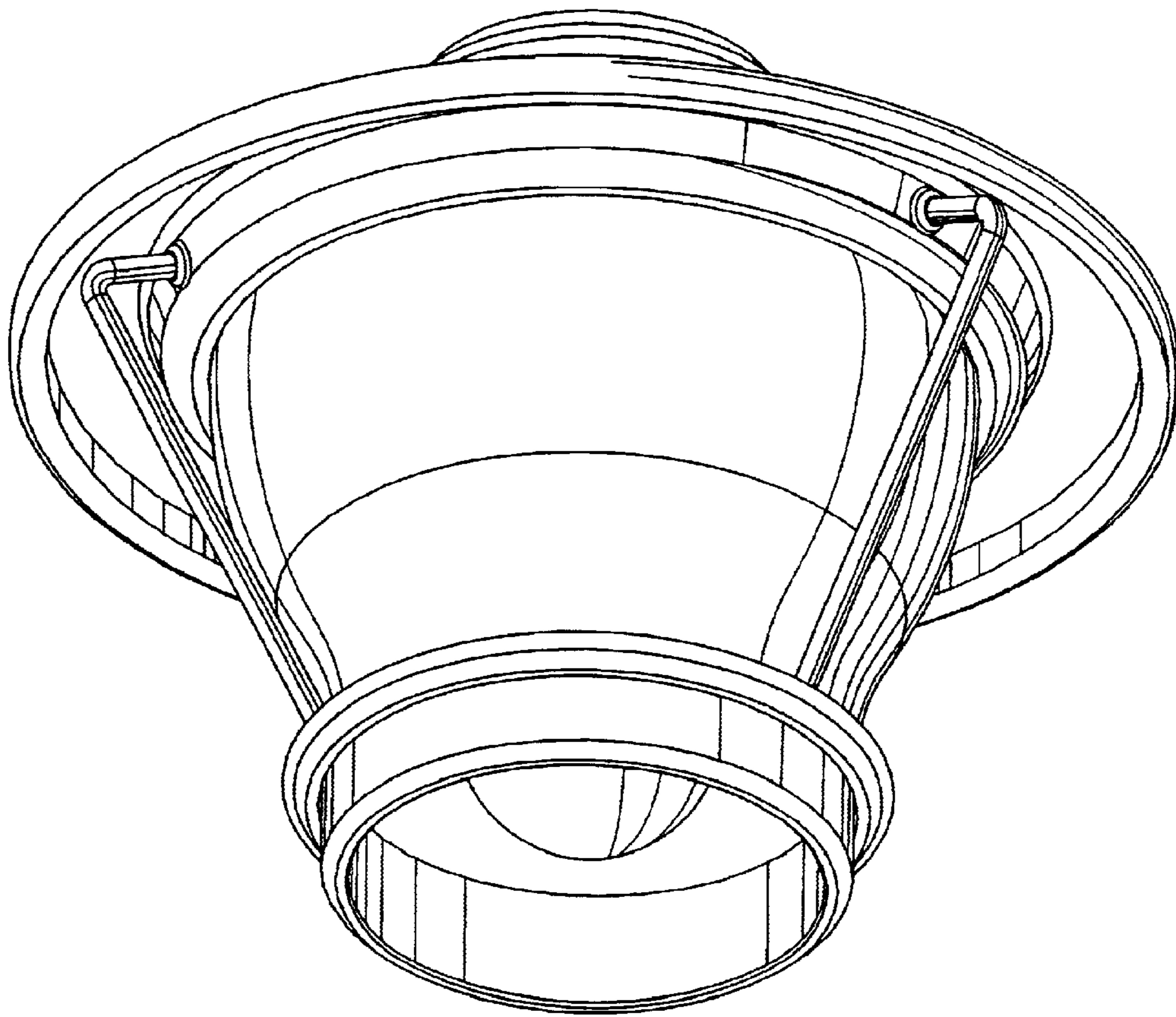


Fig. 2

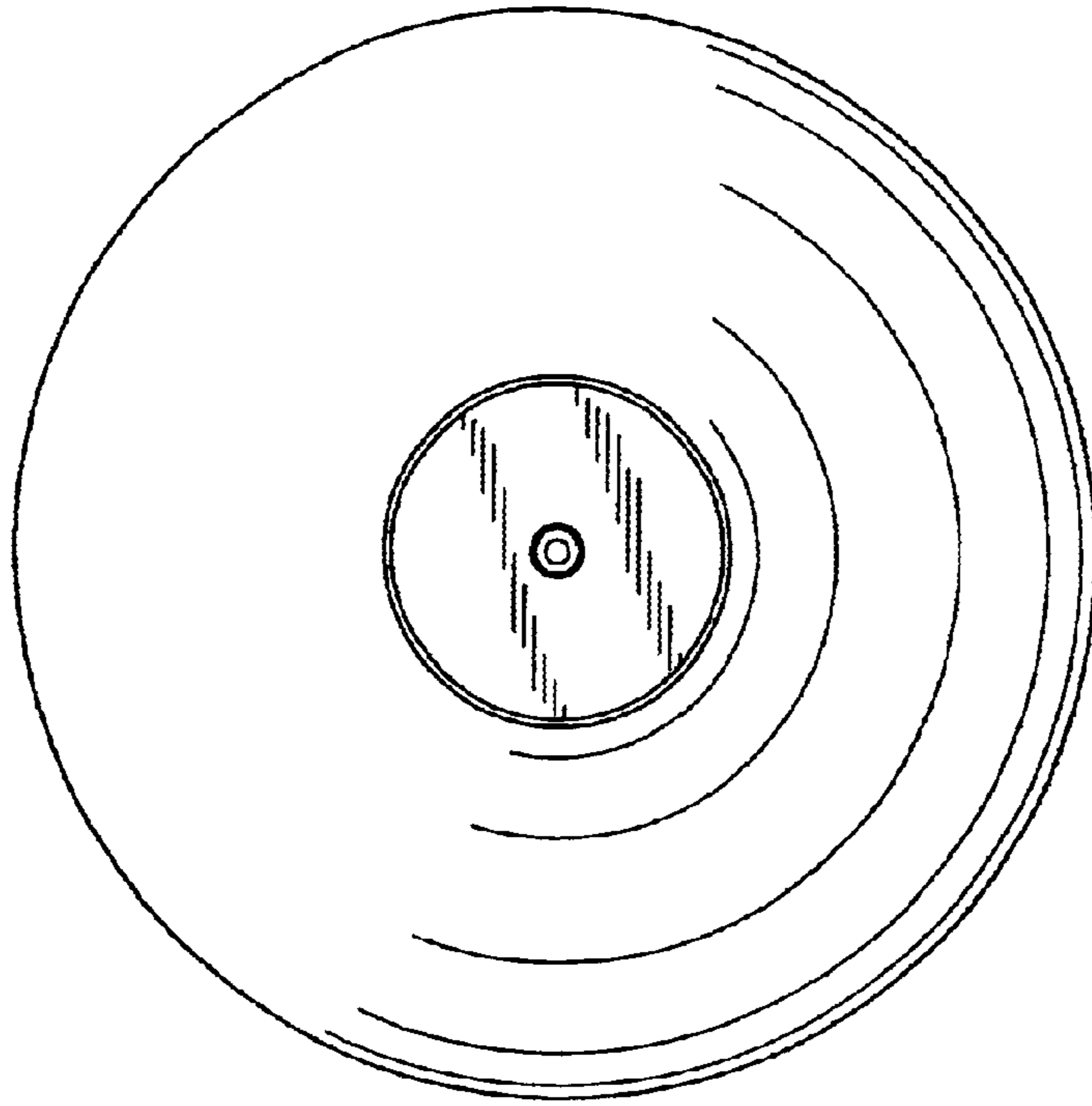


Fig. 3

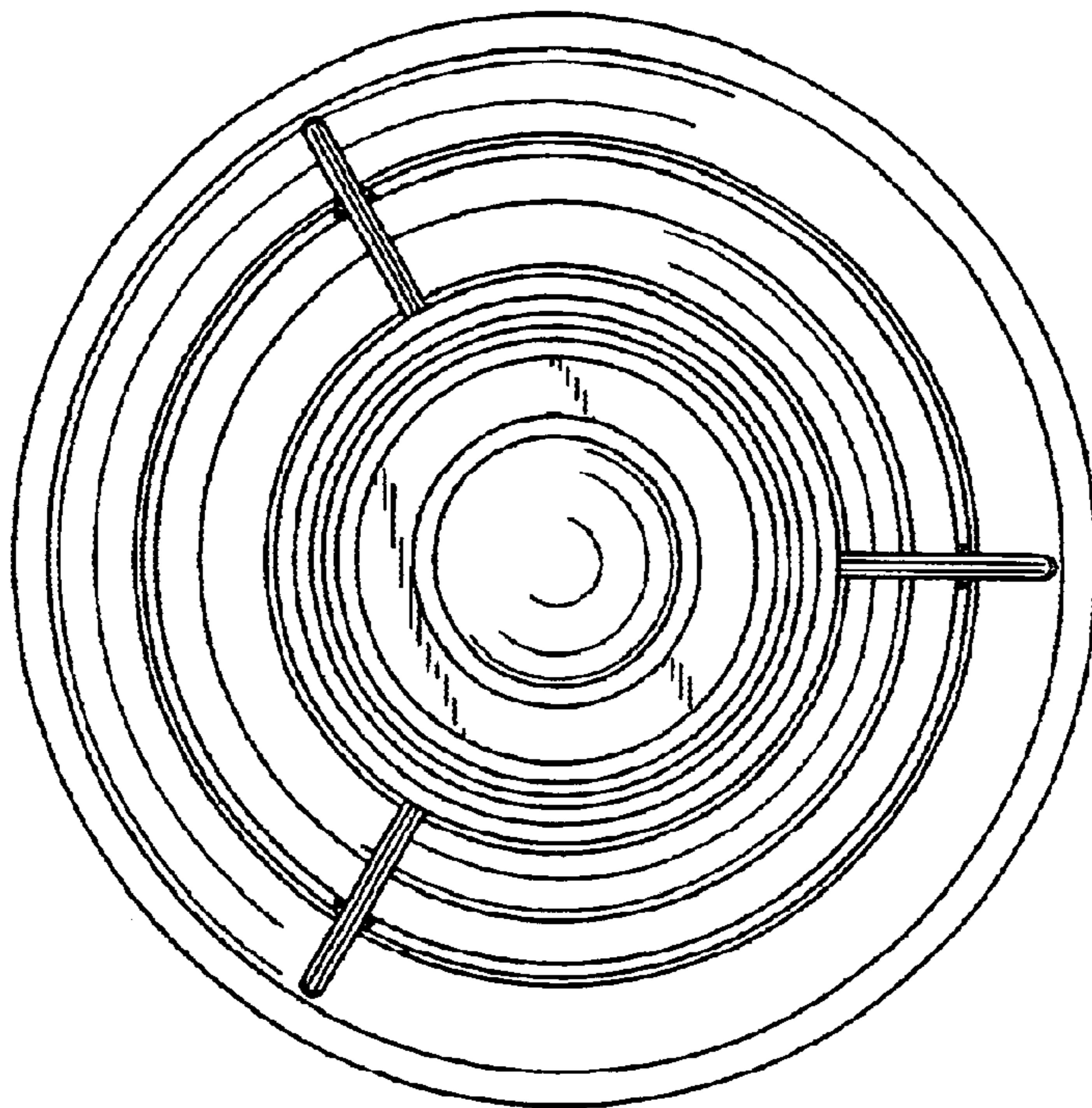


Fig. 4

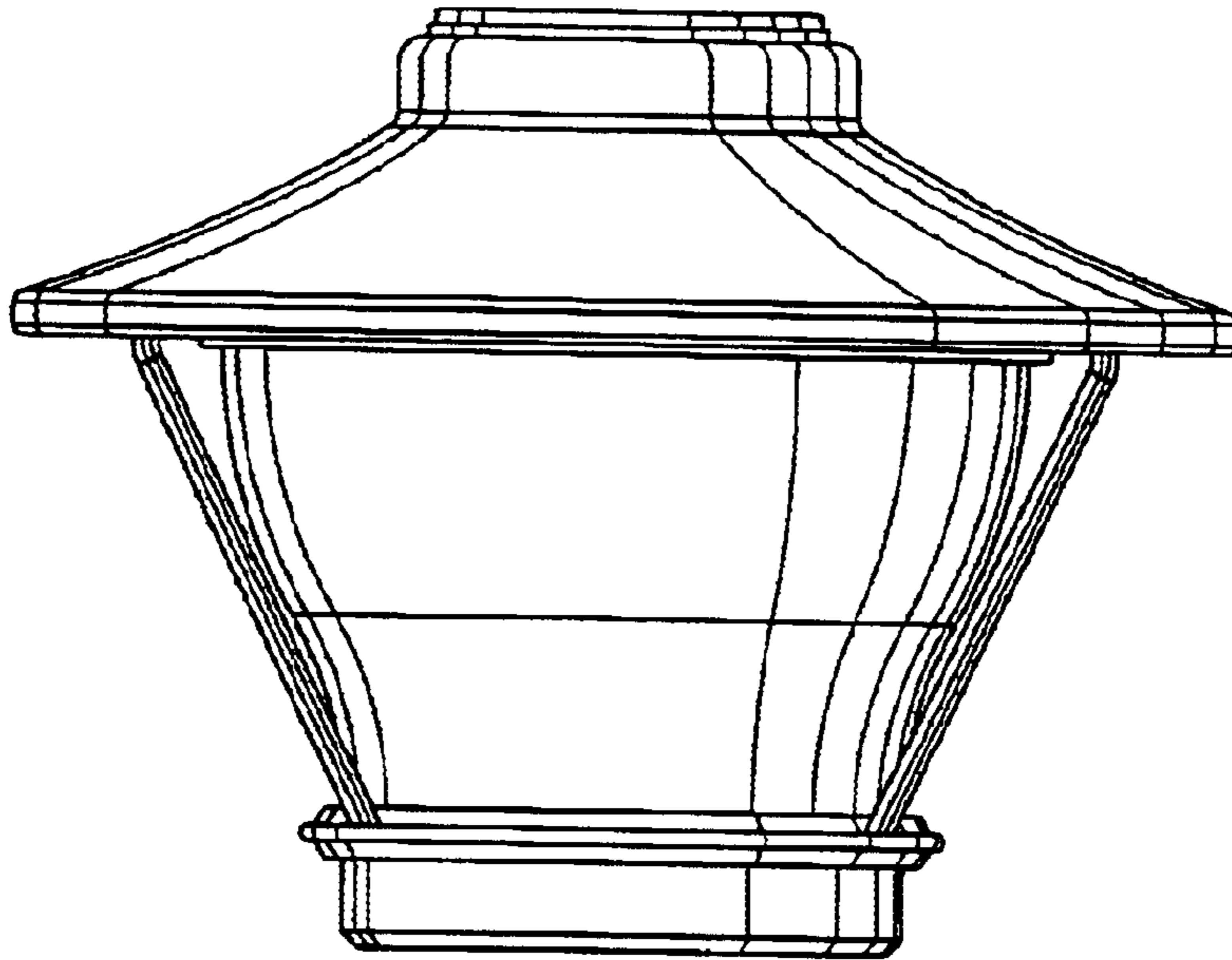


Fig. 5

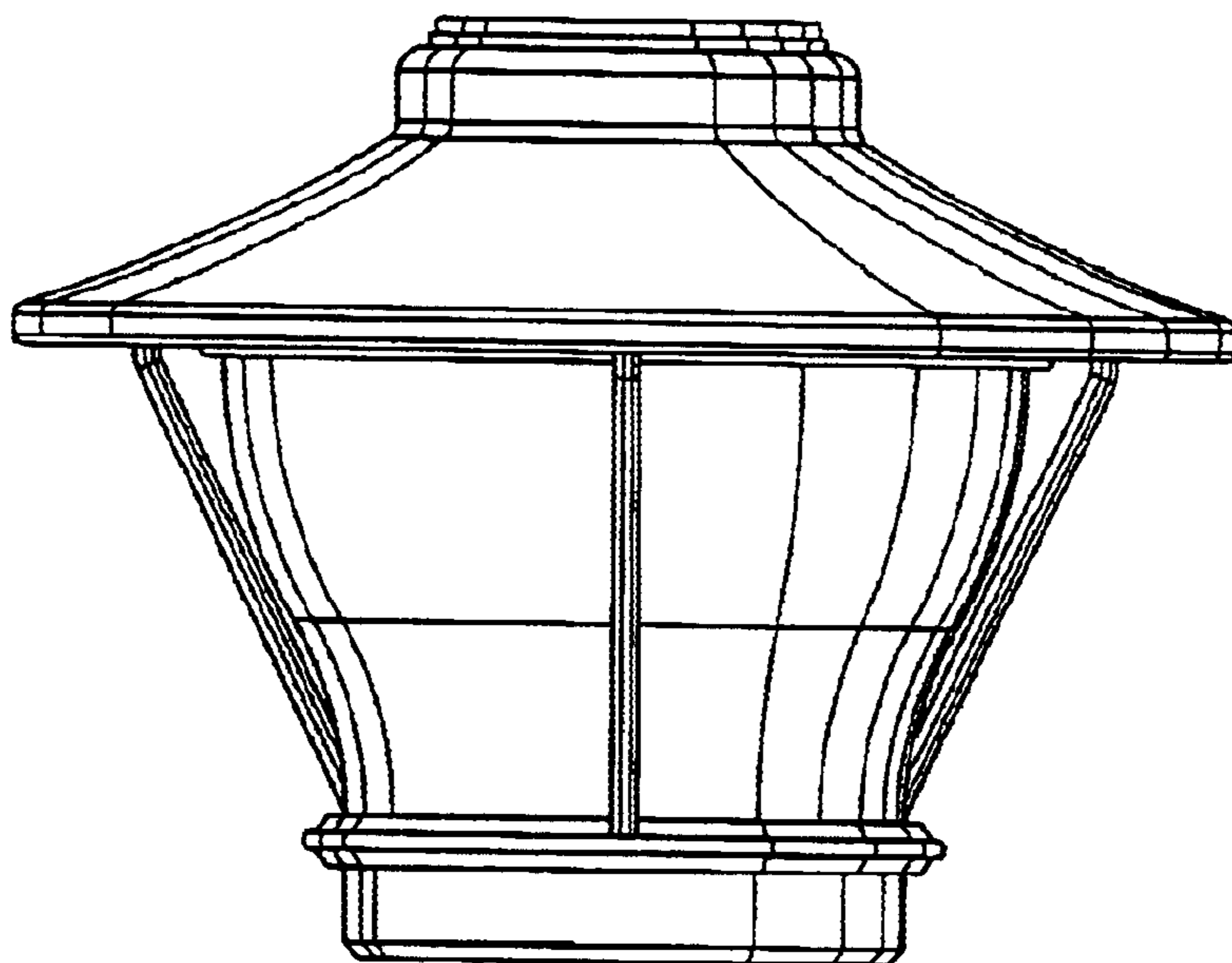


Fig. 6

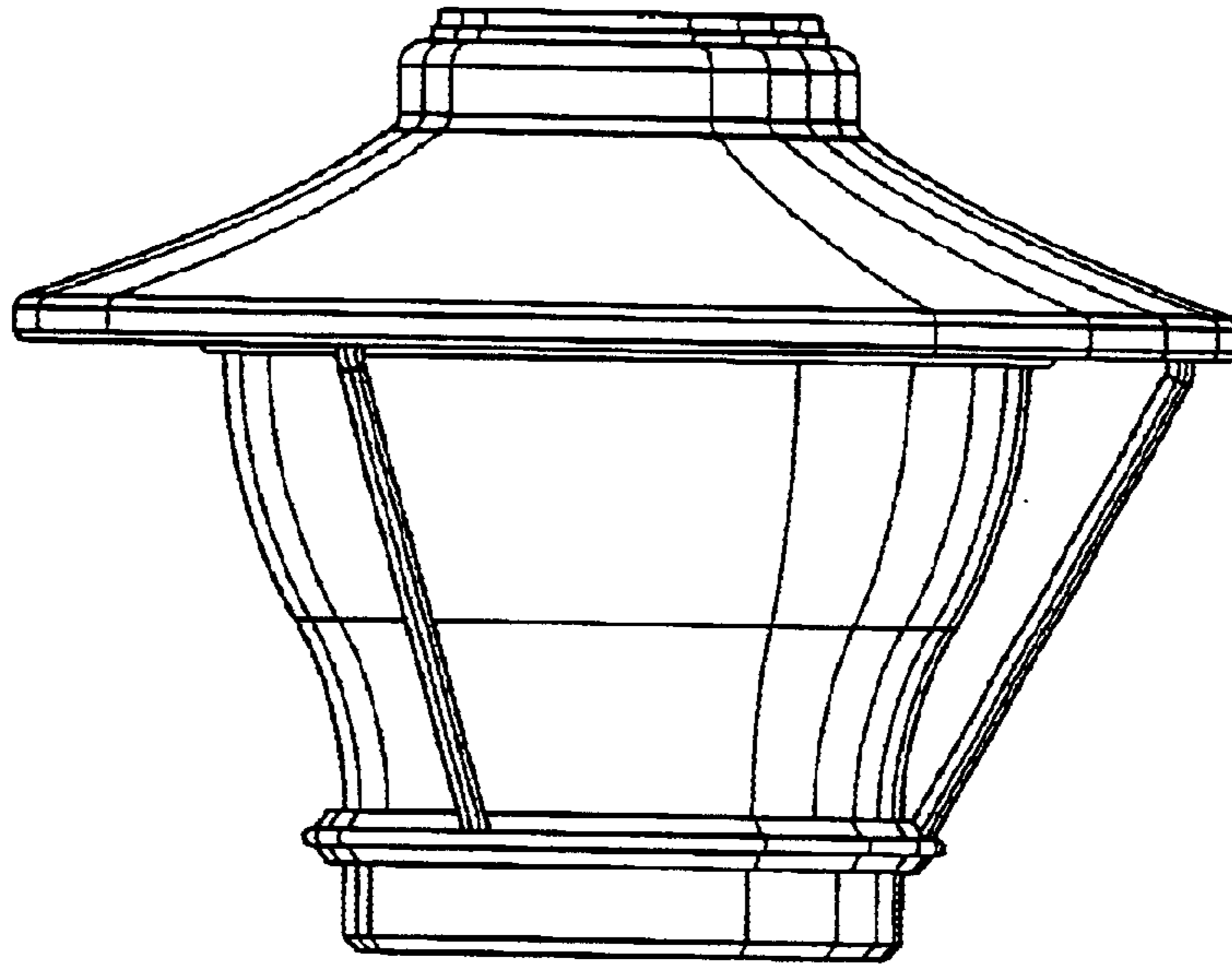


Fig. 7

