



US00D489443S

(12) **United States Design Patent**
Gajewski

(10) **Patent No.:** **US D489,443 S**

(45) **Date of Patent:** **** May 4, 2004**

(54) **COMBINATION CEILING FAN HOUSING AND ROTATABLE ARMS UNIT**

(75) **Inventor:** **Mark Gajewski**, San Luis Obispo, CA (US)

(73) **Assignee:** **Minka Lighting, Inc.**, Corona, CA (US)

(**) **Term:** **14 Years**

(21) **Appl. No.:** **29/162,417**

(22) **Filed:** **Jun. 14, 2002**

(51) **LOC (7) Cl.** **23-04**

(52) **U.S. Cl.** **D23/377**

(58) **Field of Search** D23/377, 379, D23/385, 411; 416/5; 392/364

(56) **References Cited**

U.S. PATENT DOCUMENTS

455,660	A	7/1891	Cooper
532,789	A	1/1895	Ketcher
697,588	A	4/1902	Wood
776,026	A	11/1904	Jacobson
816,759	A	4/1906	Stowe
1,056,668	A	3/1913	Happich, Jr.
1,094,540	A	4/1914	Dilg
1,115,479	A	11/1914	Ayres et al.

(List continued on next page.)

FOREIGN PATENT DOCUMENTS

FR	600.812	2/1926
FR	985.034	7/1951

OTHER PUBLICATIONS

U.S. patent application Ser. No. 29/162,389, Gajewski, filed Jun. 14, 2002.

U.S. patent application Ser. No. 29/162,390, Gajewski, filed Jun. 14, 2002.

U.S. patent application Ser. No. 29/162,419, Gajewski, filed Jun. 14, 2002.

U.S. patent application Ser. No. 10/172,189, Gajewski et al., filed Jun. 14, 2002.

AireTek™ Advertisement, 1 page, after Apr. 2002.

Preview page in Residential Lighting magazine, p. 102, Jun. 2002.

Minka Lighting, Inc.; MinkaAire Two Thousand Two; Apr. 22, 2002; pp. 22, 23; Minka Lighting, Inc.; U.S.A.

Primary Examiner—Lisa Lichtenstein

(74) *Attorney, Agent, or Firm*—Jenkins & Gilchrist, P.C.

(57) **CLAIM**

The ornamental design for a combination ceiling fan housing and rotatable arms unit, as shown and described.

DESCRIPTION

FIG. 1 is a top view of the combination ceiling fan housing and rotatable arms unit including the environment thereof in accordance with my design;

FIG. 2 is a bottom view of the combination ceiling fan housing and rotatable arms unit including the environment thereof in accordance with my design;

FIG. 3 is a side elevation view of the combination ceiling fan housing and rotatable arms unit including the environment thereof in accordance with my design;

FIG. 4 is a front elevation view of the combination ceiling fan housing and rotatable arms unit including the environment thereof in accordance with my design; and,

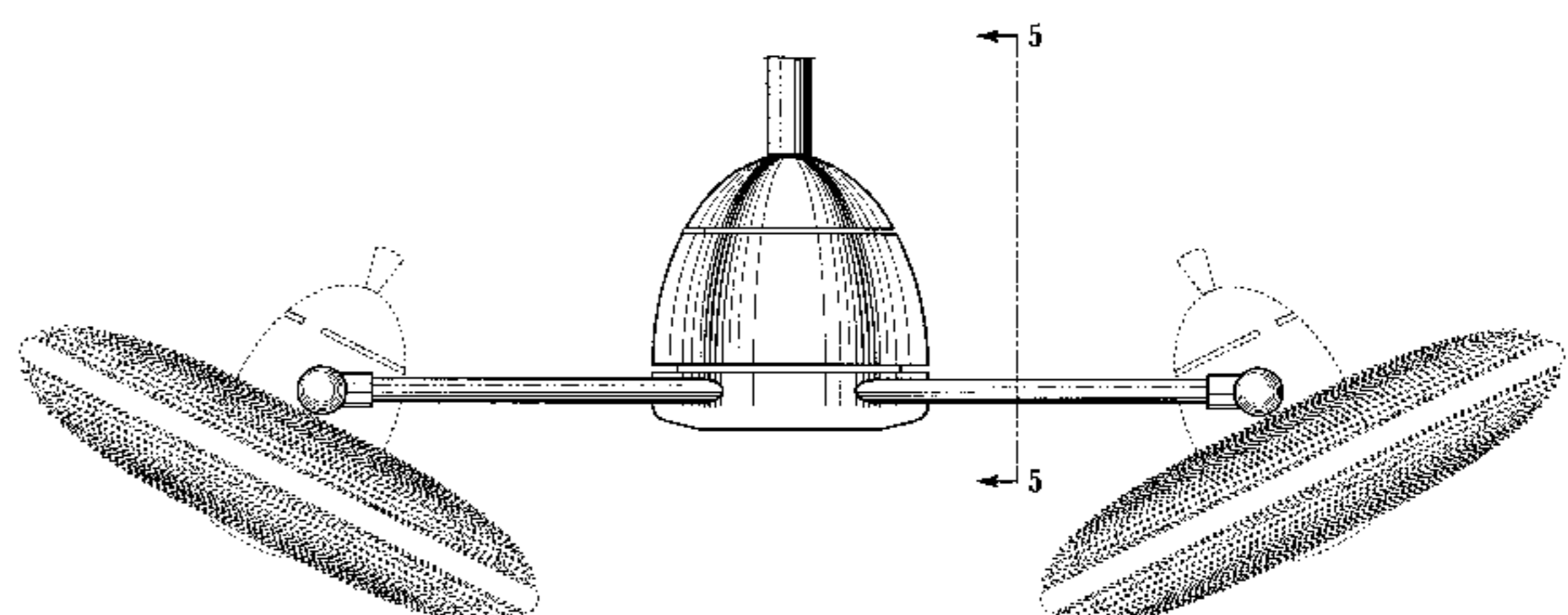
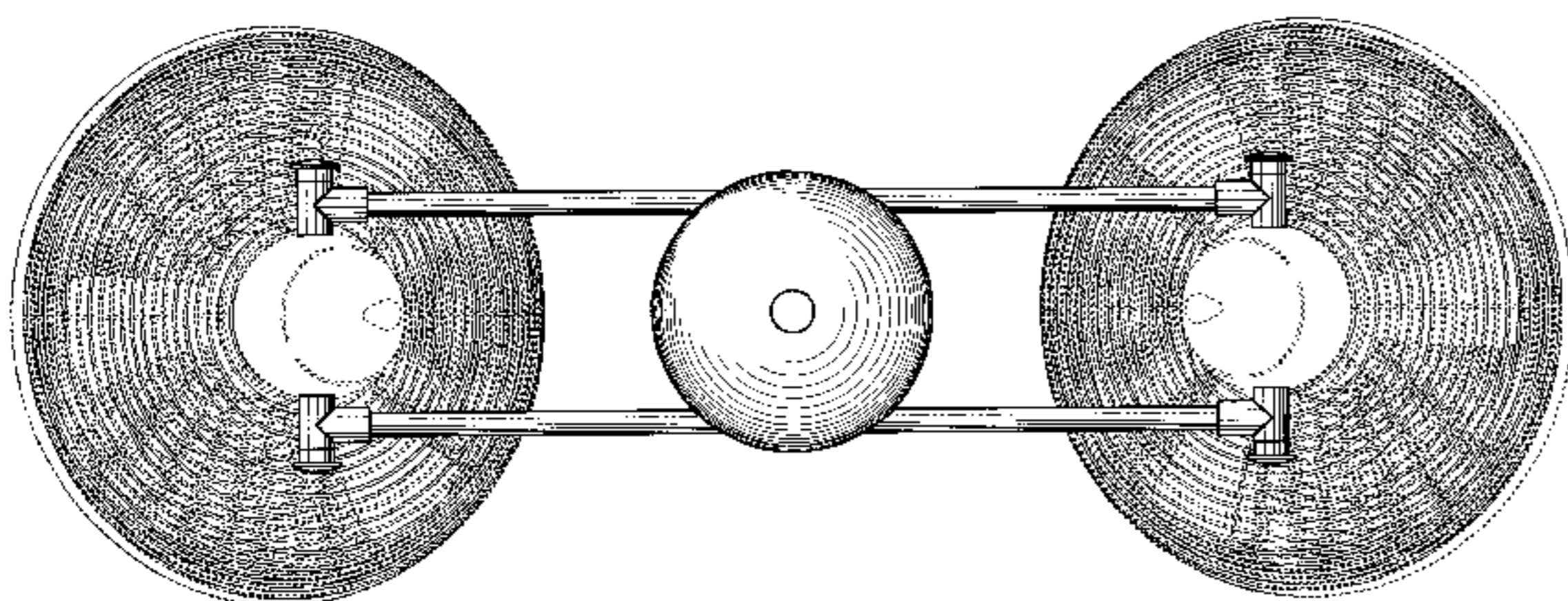
FIG. 5 is a cross-sectional view of the ceiling fan of the combination ceiling fan housing and rotatable arms unit taken along lines 5—5 in FIG. 3 in accordance with my design.

The right and left elevation views are mirror images of each other.

The front and back elevation views are mirror images of each other.

The broken line showing of environmental structure in FIGS. 1–5 is for illustrative purposes only and forms no part of the claimed design. The support rod is shown broken away in FIGS. 3–5 to indicate indeterminate length.

1 Claim, 4 Drawing Sheets



US D489,443 S

Page 2

U.S. PATENT DOCUMENTS

1,224,218 A	5/1917	Scheibe	D313,467 S	1/1991	Frampton	D23/379
1,226,076 A	5/1917	Jennings	5,411,372 A	5/1995	Clark	416/110
1,227,291 A	5/1917	Miller	5,443,625 A	8/1995	Schaffhausen	95/273
1,267,752 A	5/1918	Finch	5,668,920 A	9/1997	Pelonis	392/361
1,270,832 A	7/1918	Jennings	D408,905 S	4/1999	Hadjikyriacou	D23/378
1,295,618 A	2/1919	Shaw	5,951,253 A	9/1999	Gajewski	416/214 R
1,332,875 A	3/1920	Ainsworth	6,022,118 A	2/2000	Wu	362/35
1,334,781 A	3/1920	Morse	6,022,189 A	2/2000	Yu	416/5
1,485,241 A	2/1924	Aronoff	6,074,182 A	6/2000	Matson	417/423.15
1,517,623 A	12/1924	Francois	6,146,191 A	11/2000	Kerr, Jr. et al.	439/537
1,826,458 A	10/1931	Cooper	6,158,964 A	12/2000	Gajewski	416/244 R
1,903,615 A	4/1933	Towt	6,171,060 B1	1/2001	Gajewski	416/244 R
2,237,039 A	4/1941	Newnham	6,250,885 B1	6/2001	Gajewski	416/214 R
4,391,570 A	7/1983	Stutzman	D451,996 S	12/2001	Liu	D23/411
4,560,321 A	12/1985	Kawai	6,354,801 B1	3/2002	Gajewski	416/5
4,640,668 A	2/1987	Yang	6,357,714 B1	3/2002	Johnson	248/343
4,720,241 A	1/1988	Markwardt	D456,073 S	4/2002	Frampton	D23/413
4,878,806 A	11/1989	Markwardt	6,364,617 B1	4/2002	Riske et al.	416/246
			6,364,638 B1	4/2002	Liu	417/423.15

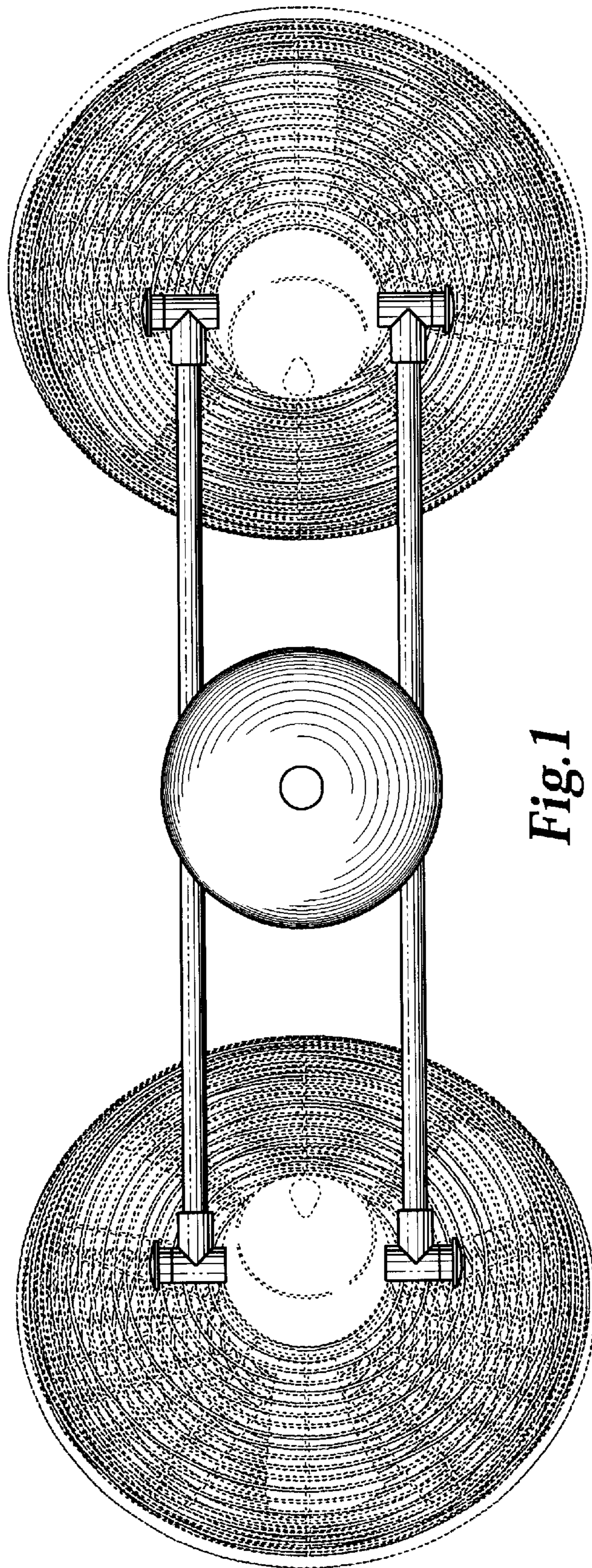


Fig. 1

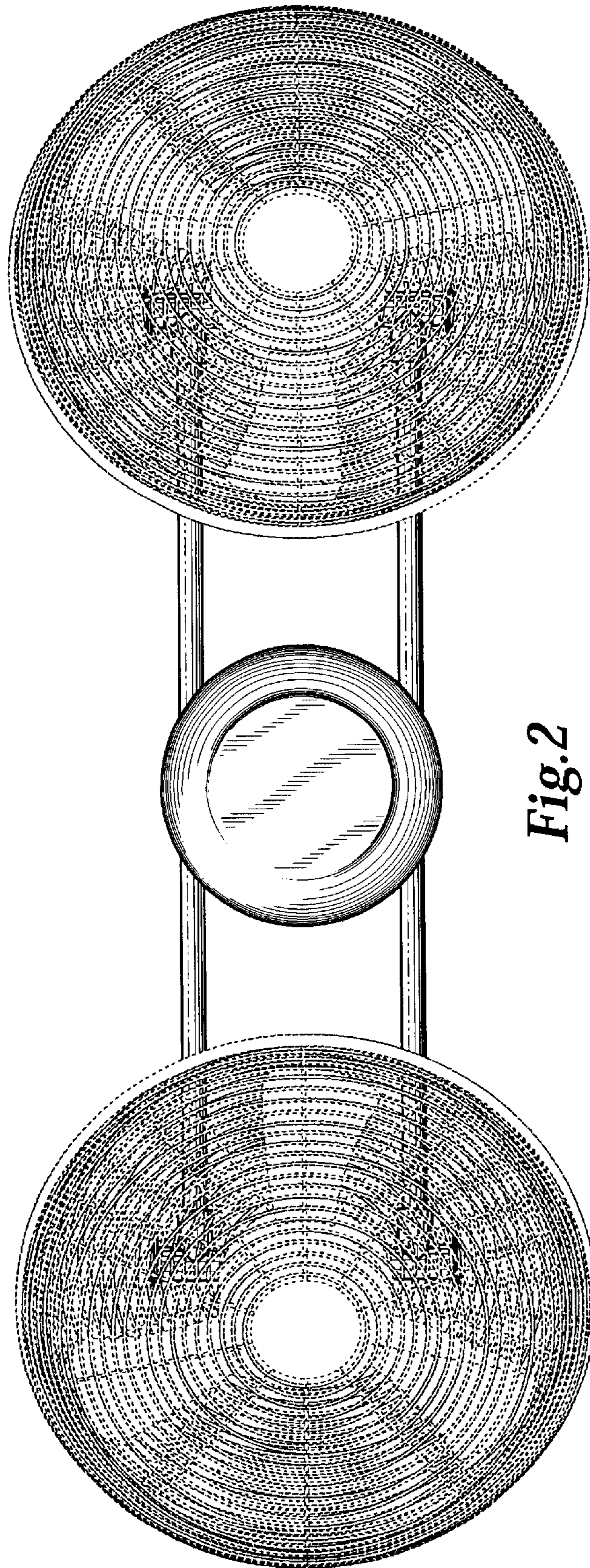


Fig. 2

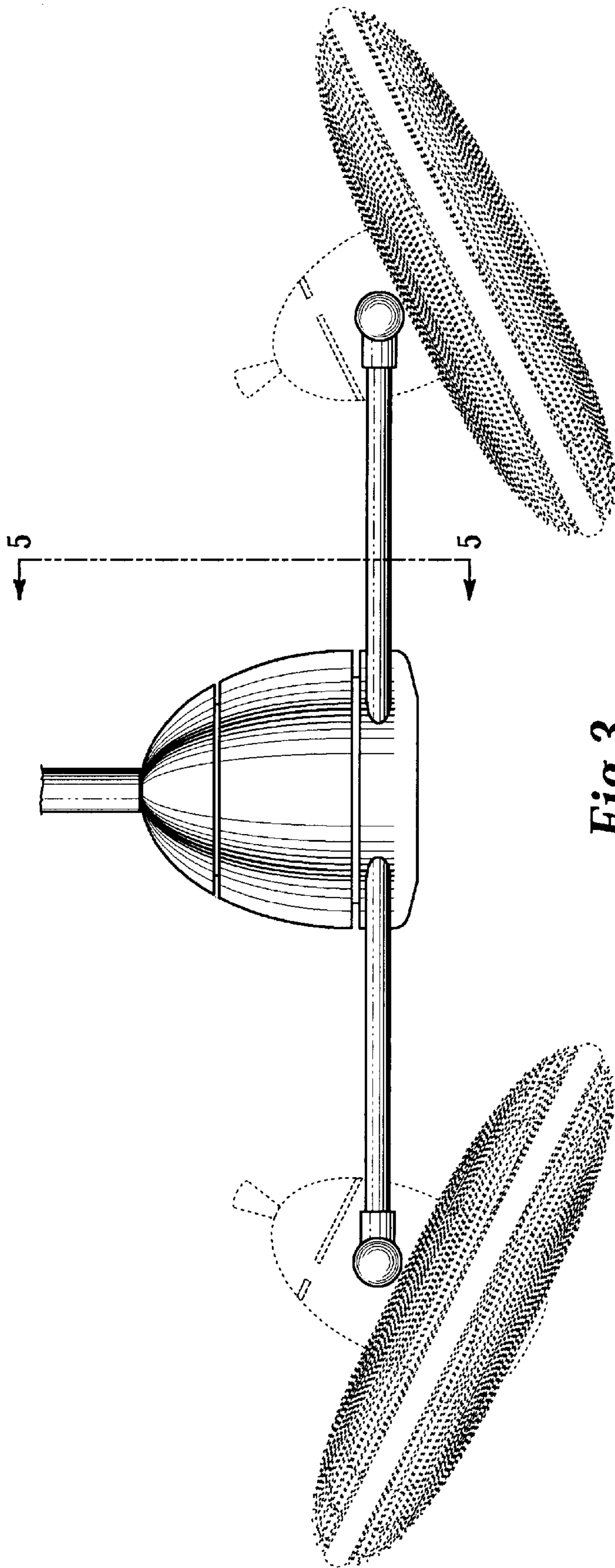


Fig. 3

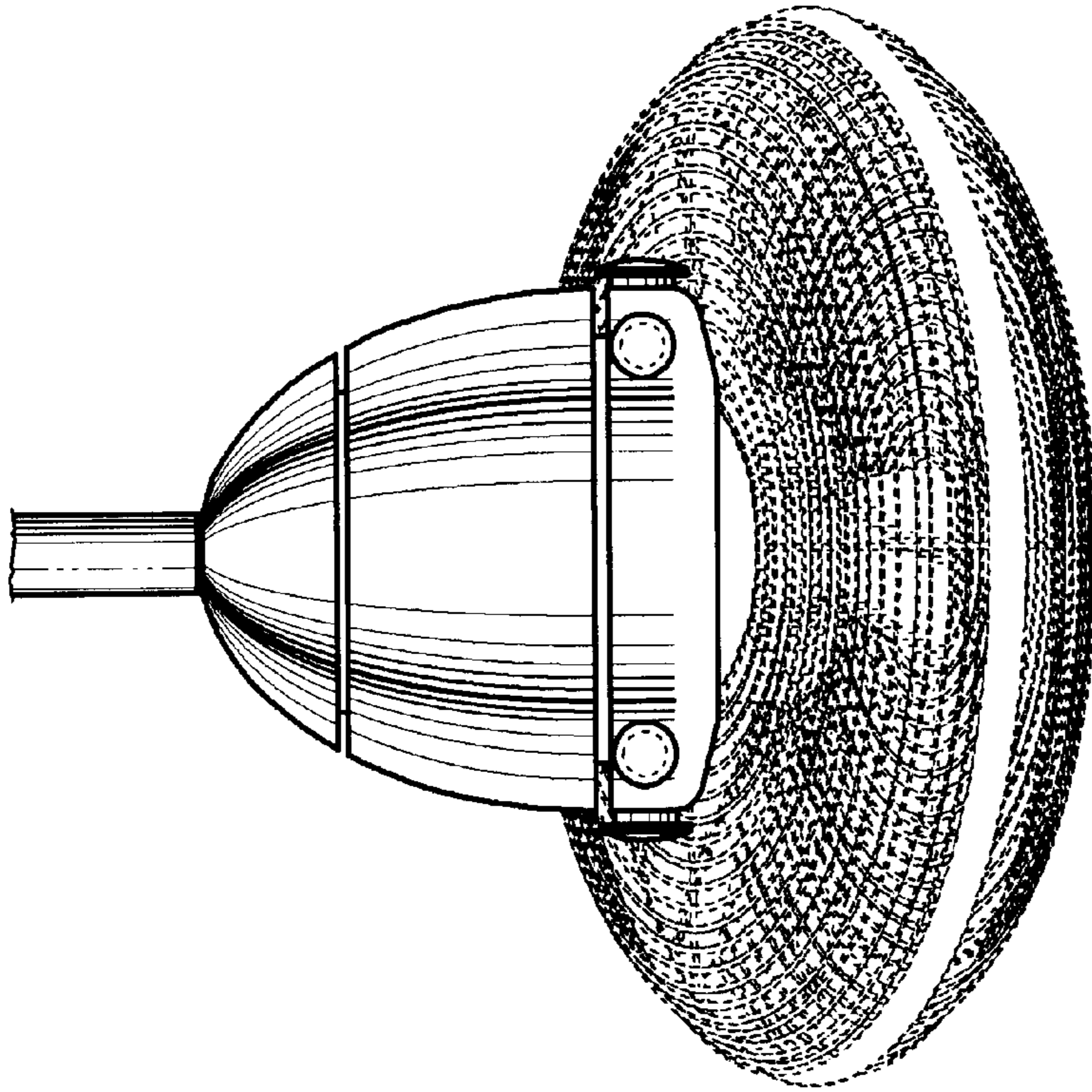


Fig. 5

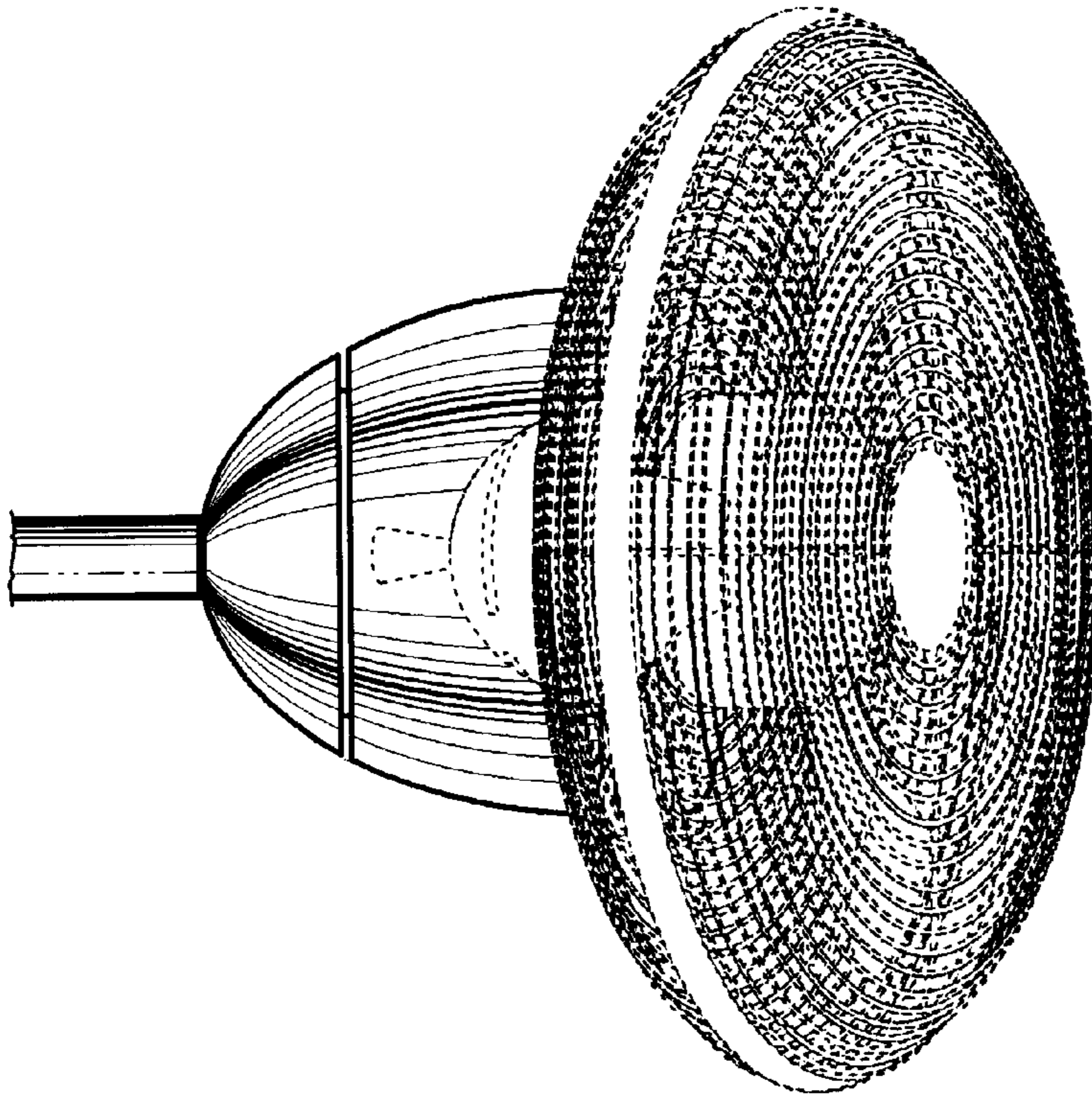


Fig. 4