



US00D489441S

(12) **United States Design Patent**  
**Wagner**

(10) **Patent No.:** **US D489,441 S**

(45) **Date of Patent:** **\*\* May 4, 2004**

(54) **COOLING DEVICE**

(75) Inventor: **Guy R. Wagner**, Loveland, CO (US)

(73) Assignee: **Agilent Technologies, Inc.**, Palo Alto, CA (US)

(\*\*) Term: **14 Years**

(21) Appl. No.: **29/167,644**

(22) Filed: **Sep. 18, 2002**

5,700,129 A \* 12/1997 Kocian ..... 415/176  
D403,755 S \* 1/1999 Liang ..... D23/370  
5,910,694 A \* 6/1999 Yokozawa et al. .... 415/176

\* cited by examiner

*Primary Examiner*—Lisa Lichtenstein

(57) **CLAIM**

The ornamental design for a cooling device, as shown and described.

**Related U.S. Application Data**

(62) Division of application No. 29/149,813, filed on Oct. 17, 2001, which is a division of application No. 29/125,793, filed on Jun. 29, 2000, now Pat. No. Des. 454,947.

(51) **LOC (7) Cl.** ..... **23-04**

(52) **U.S. Cl.** ..... **D23/370**

(58) **Field of Search** ..... D23/370, 379;  
415/176–178, 175, 211.2, 209.2

(56) **References Cited**

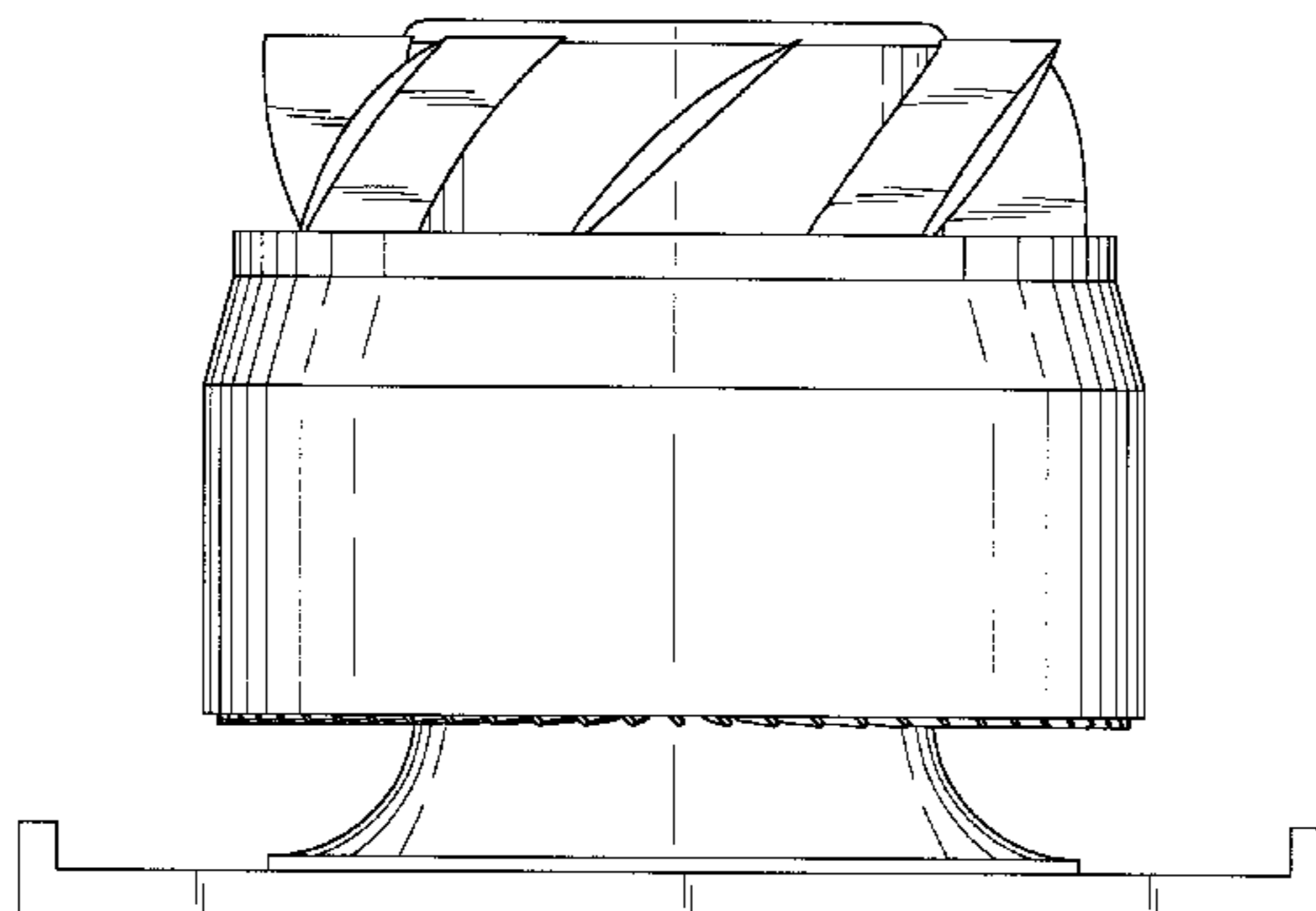
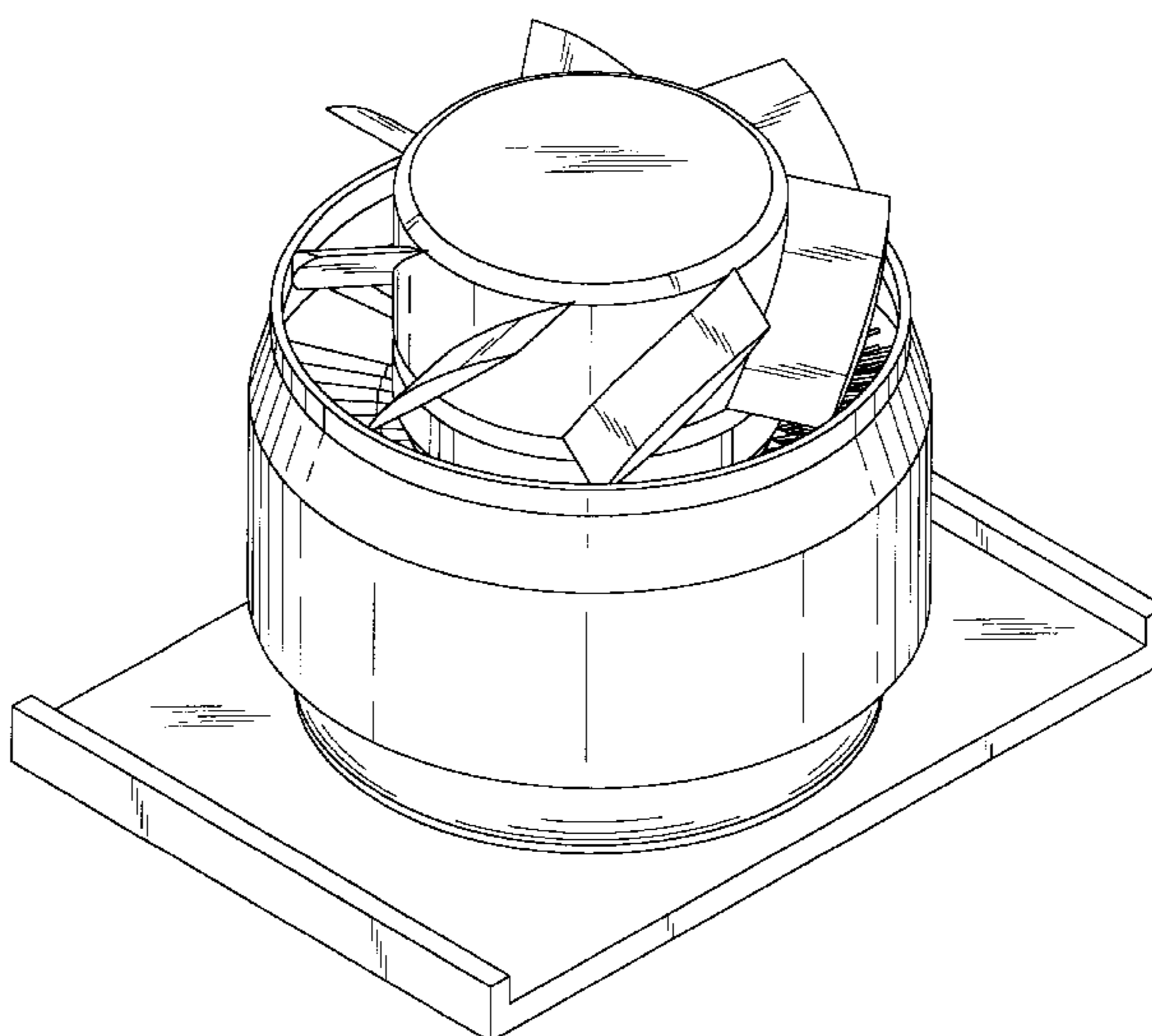
**U.S. PATENT DOCUMENTS**

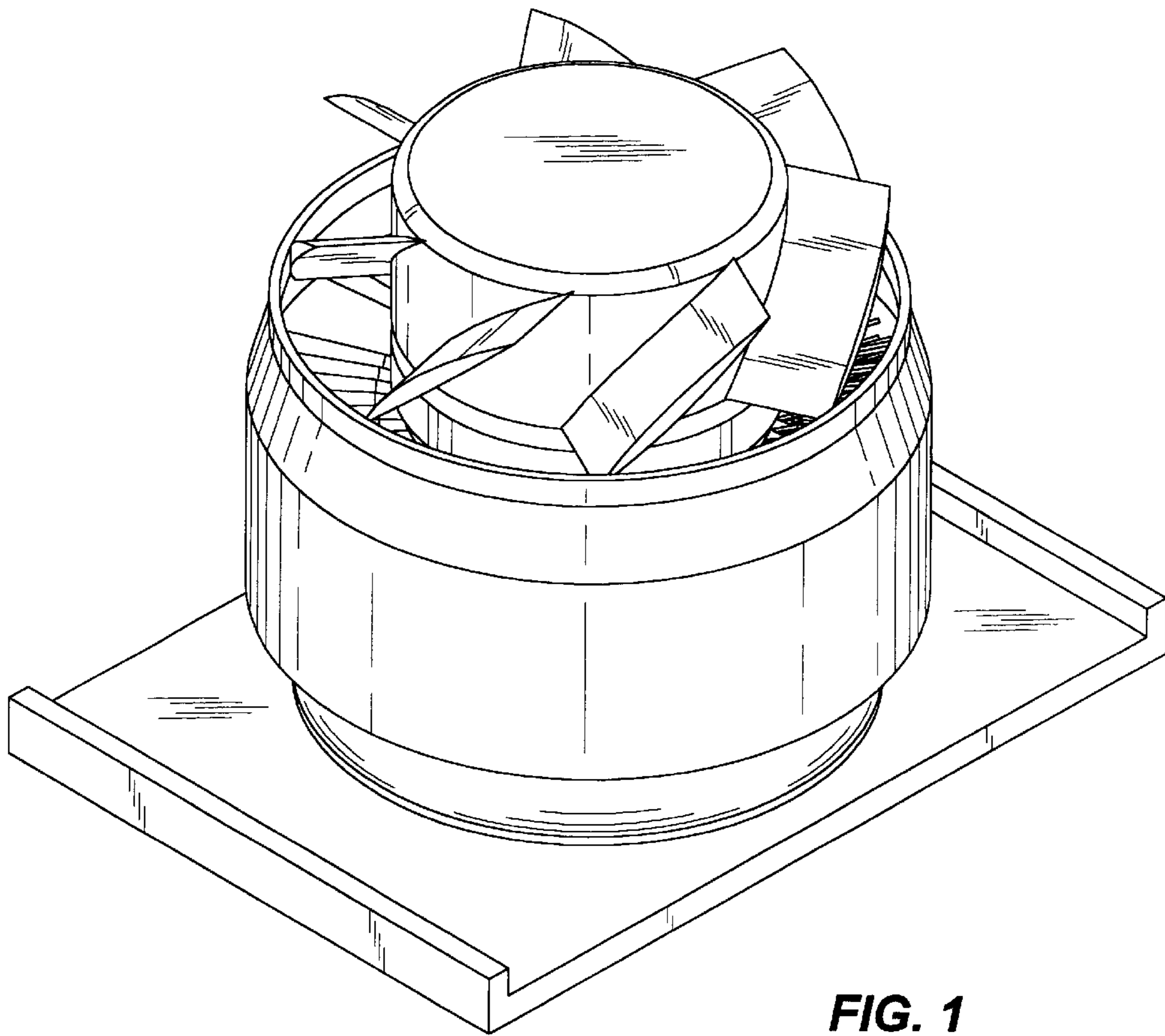
D326,080 S \* 5/1992 Vartiala ..... D12/214

**DESCRIPTION**

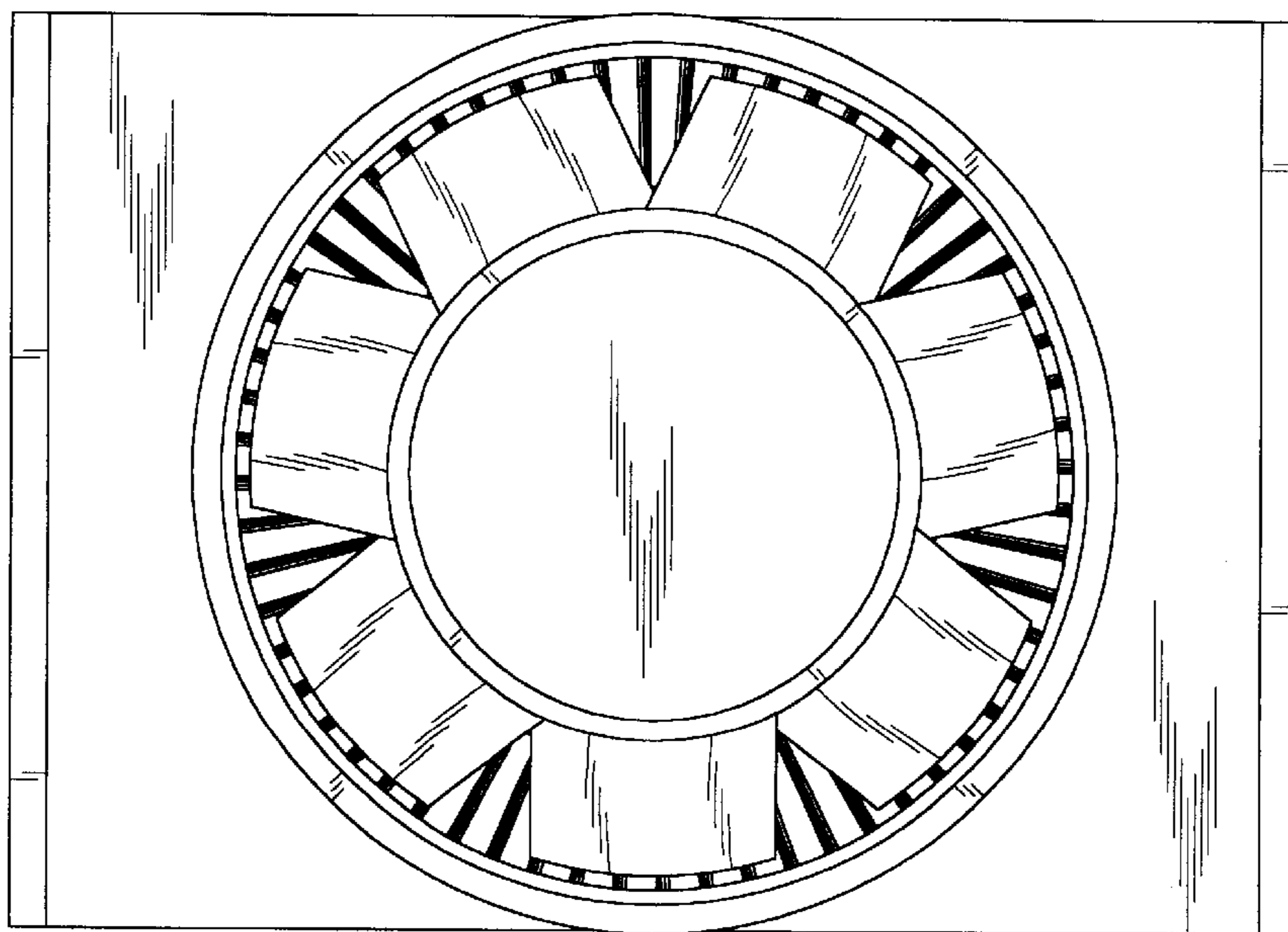
FIG. 1 is a top, front perspective view of a cooling device showing my new design having a plate, a shroud and a fan; FIG. 2 is a top plan view thereof, the bottom plan view is not shown as it is flat and unornamented; FIG. 3 is a left side elevation view thereof; FIG. 4 is a right side elevation view thereof; FIG. 5 is a front elevation view thereof; and, FIG. 6 is a rear elevation view thereof.

**1 Claim, 3 Drawing Sheets**

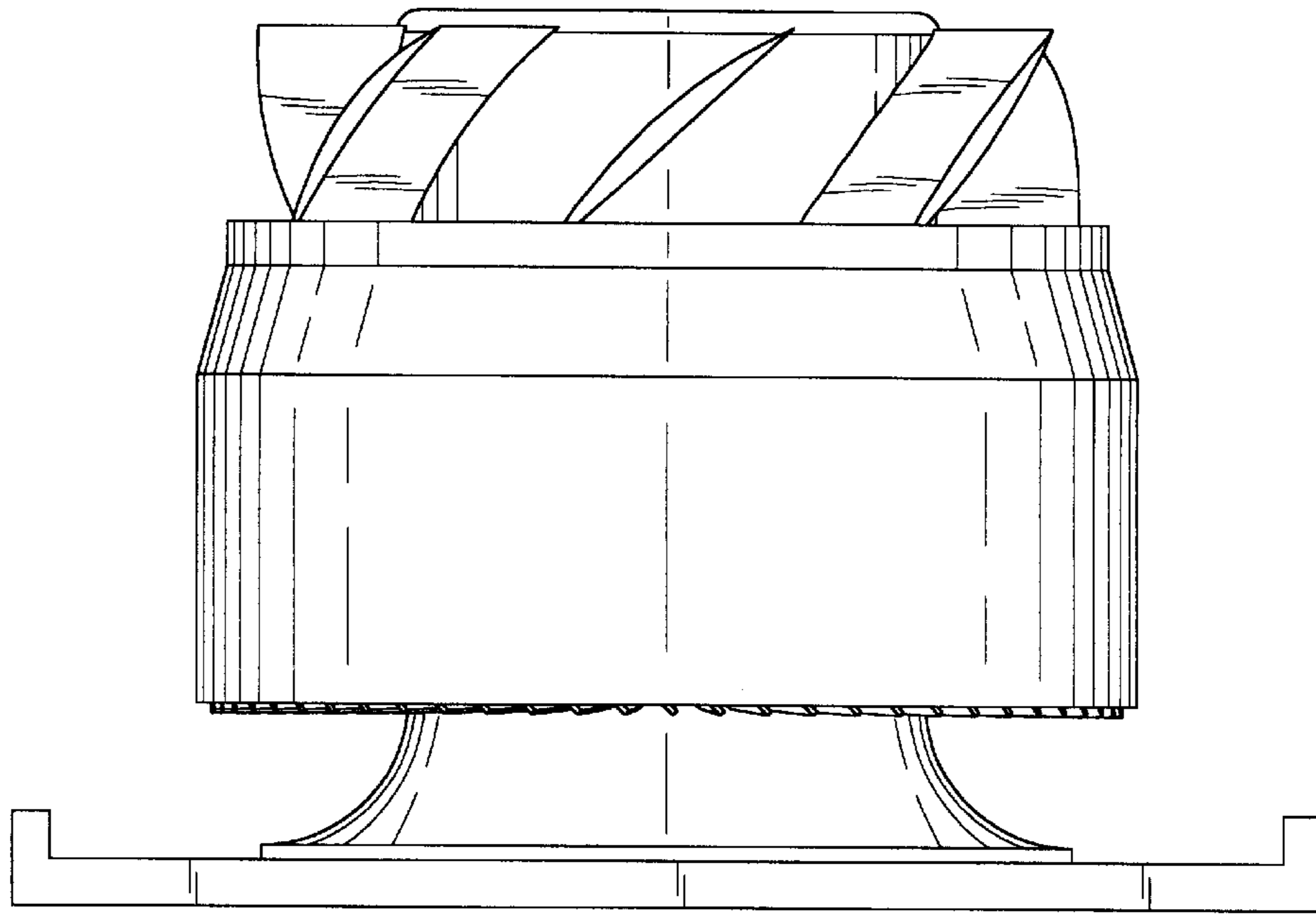




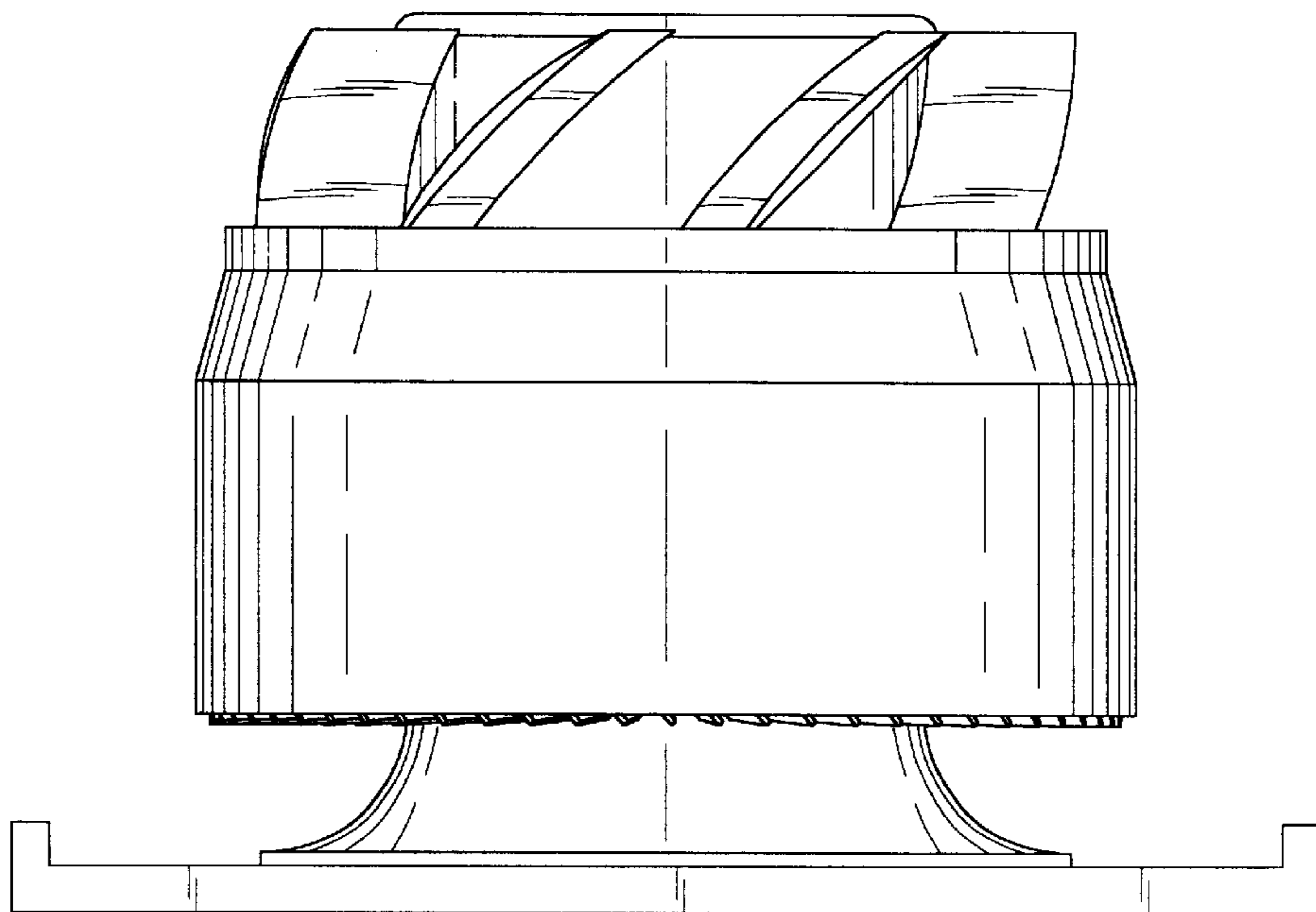
**FIG. 1**



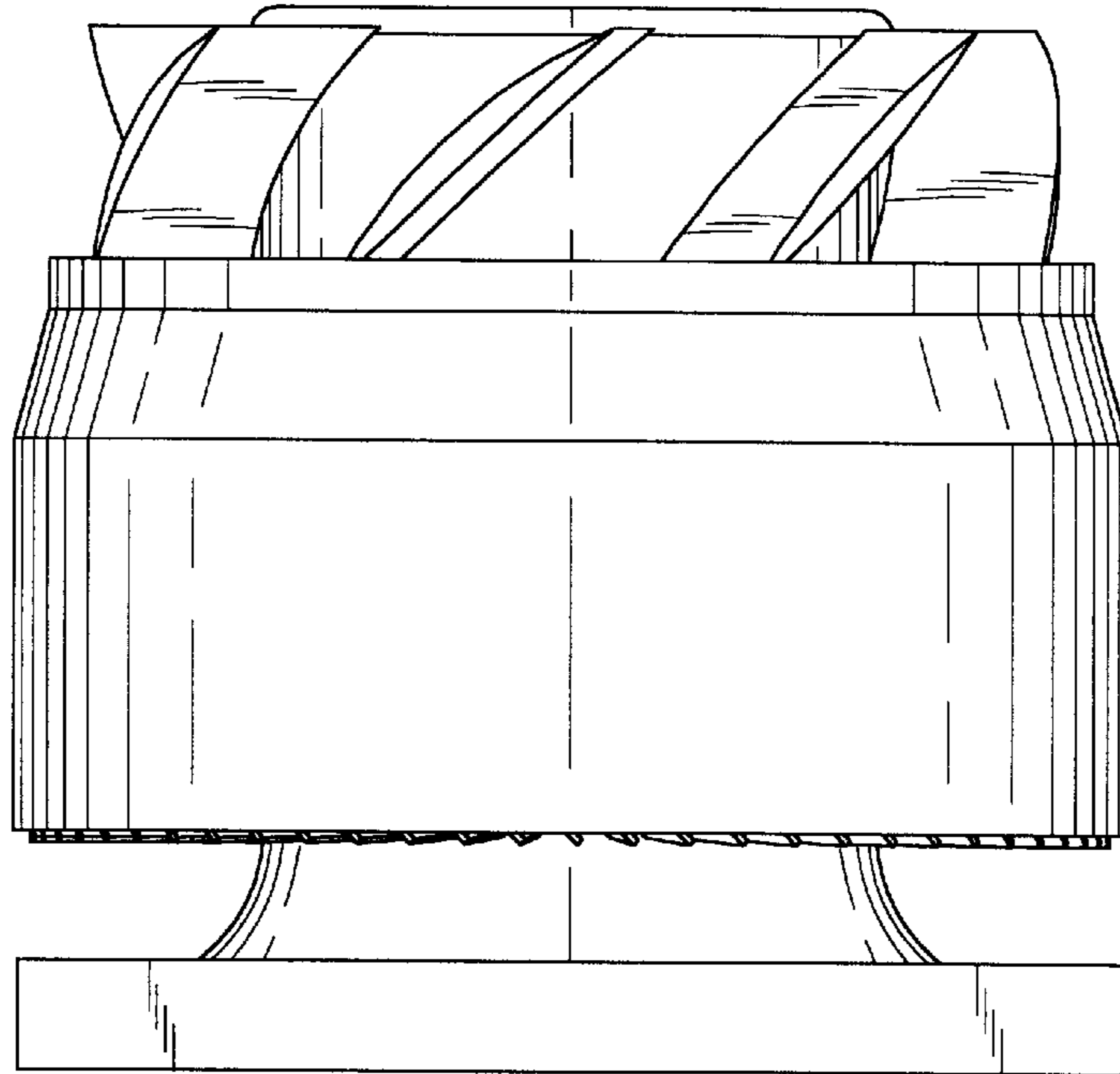
**FIG. 2**



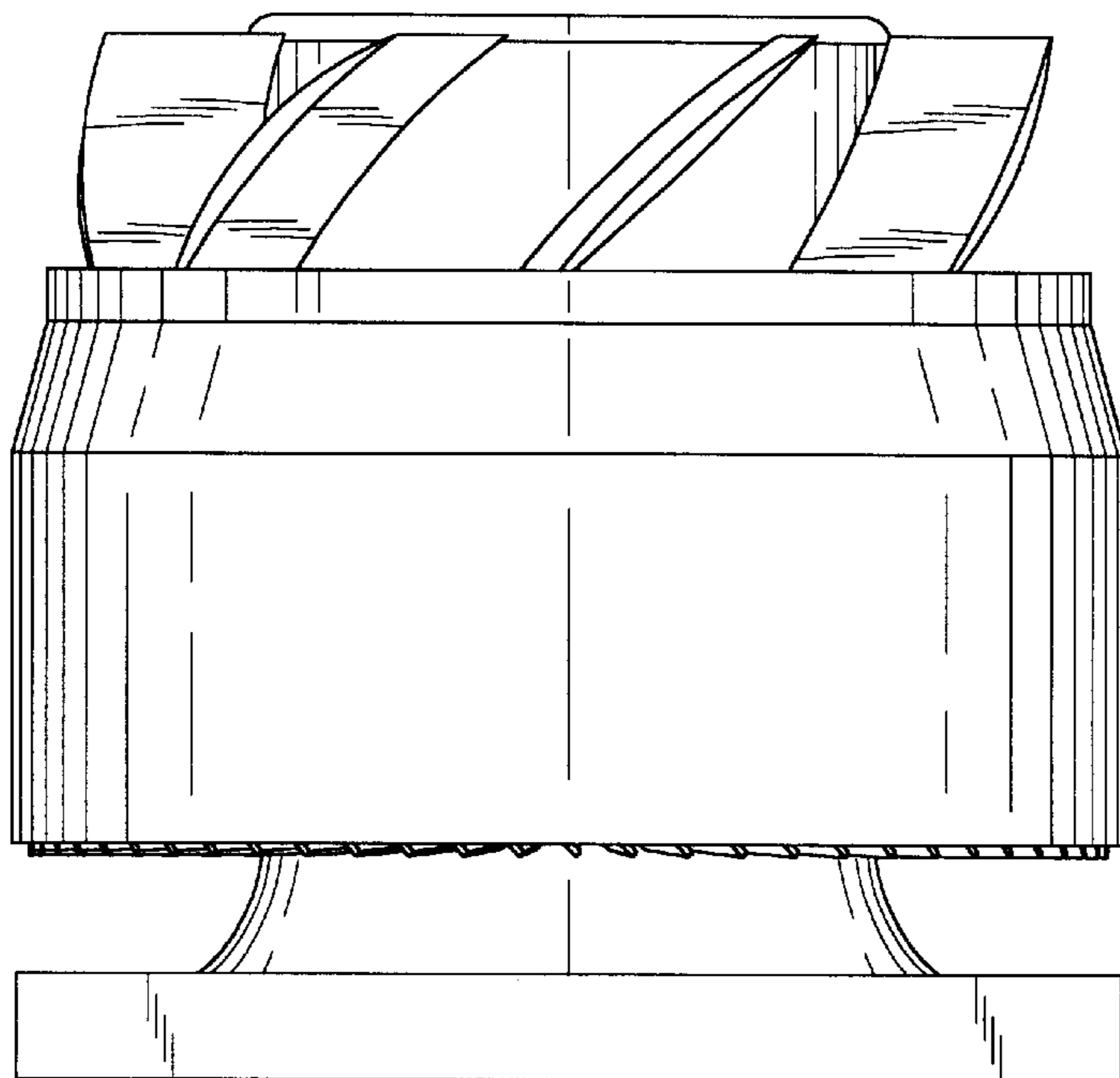
**FIG. 3**



**FIG. 4**



**FIG. 5**



**FIG. 6**