



US00D489440S

(12) **United States Design Patent**
Anderson et al.

(10) **Patent No.: US D489,440 S**

(45) **Date of Patent: ** May 4, 2004**

(54) **AIR FRESHENER**

D334,975 S * 4/1993 Bunce et al. D23/366
D403,758 S * 1/1999 Bryson et al. D23/366

(76) Inventors: **Simone Anderson**, 56a School Road,
Ashford, Middlesex TW15 2AJ (GB);
Colin William Brown, 5 Clandon
Avenue, TW20 8LP Engham, Surrey
(GB); **Kishen Gohil**, 21 Consfield
Avenue, KT3 6HB New Malden, Surrey
(GB); **Guy Edward Naish**, 123
Coopers Green, OX26 4US Bicester,
Oxfordshire (GB)

* cited by examiner

Primary Examiner—Lisa Lichtenstein

(**) Term: **14 Years**

(57) **CLAIM**

(21) Appl. No.: **29/156,425**

The ornamental design for an air freshener, as shown and described.

(22) Filed: **Feb. 27, 2002**

DESCRIPTION

(51) **LOC (7) Cl.** **23-04**

FIG. 1 is a perspective view of the air freshener in a closed configuration.

(52) **U.S. Cl.** **D23/366**

FIG. 2 is a perspective view of the air freshener of FIG. 1 in a partially opened configuration.

(58) **Field of Search** D23/366-369;
261/DIG. 65; 239/58, 59, 55, 60, 57; 422/305,
120

FIG. 3 is a perspective view of the air freshener of FIG. 1 and FIG. 2 considered to be in a fully opened configuration.

FIG. 4 is a right side planar view of the air freshener of the preceding Figures, in a partially opened configuration.

FIG. 5 is a left side planar view of the air freshener according to the preceding Figures, and is a mirror-image of the view of FIG. 4; and,

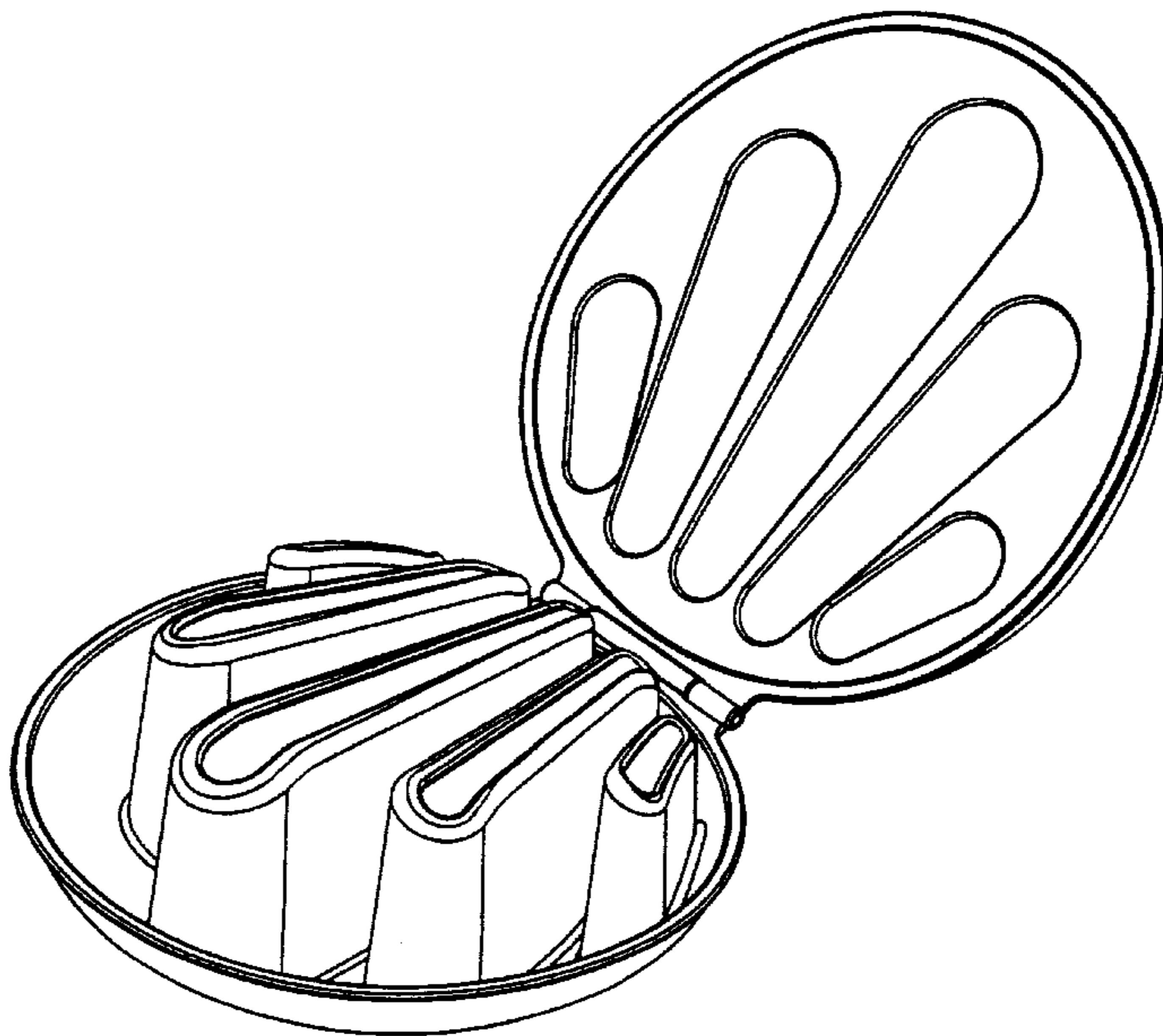
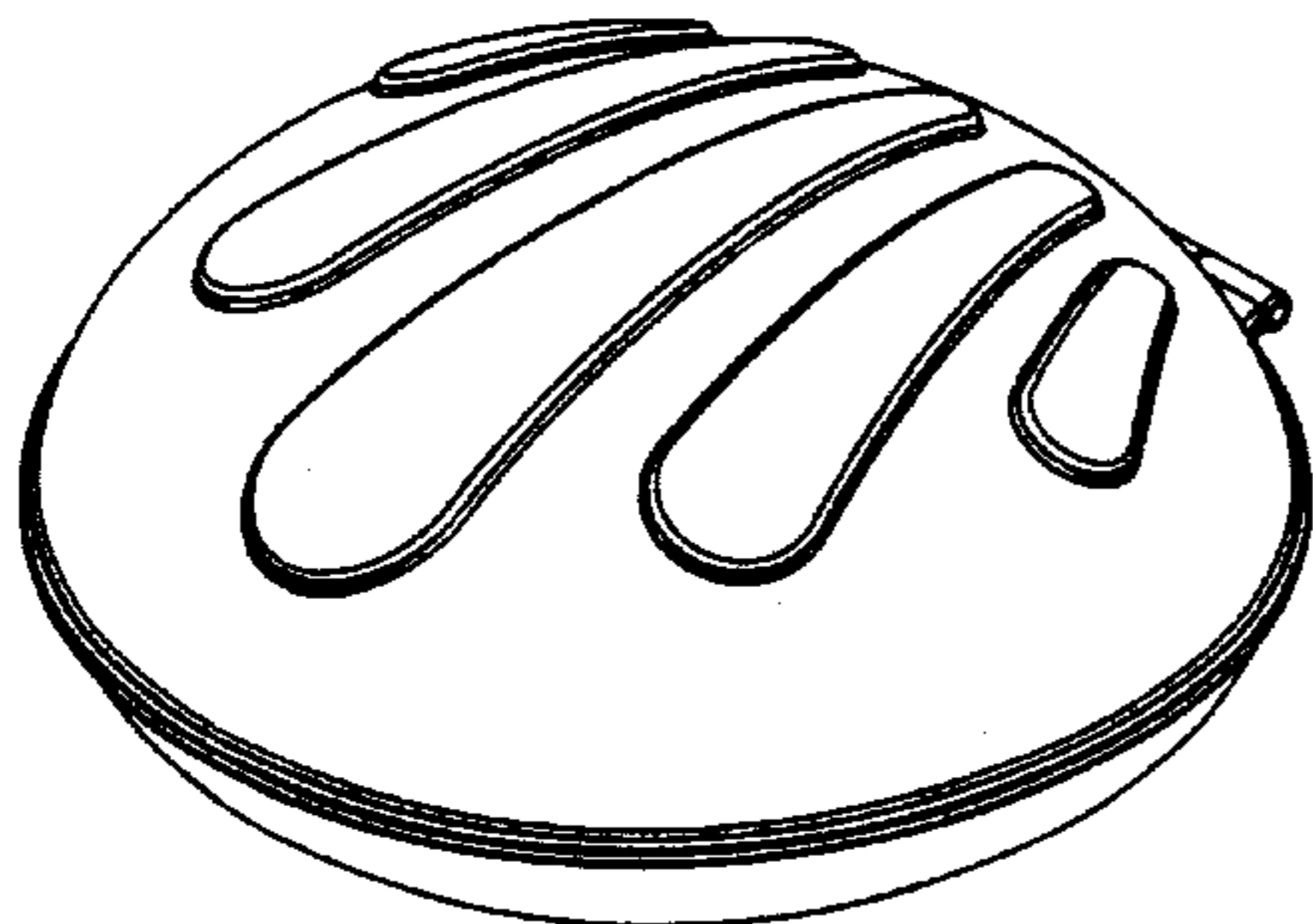
FIG. 6 is a further perspective view of the air freshener of FIG. 1 in a partially opened configuration.

(56) **References Cited**

U.S. PATENT DOCUMENTS

1,880,962 A * 10/1932 Koppelman D23/366

1 Claim, 6 Drawing Sheets



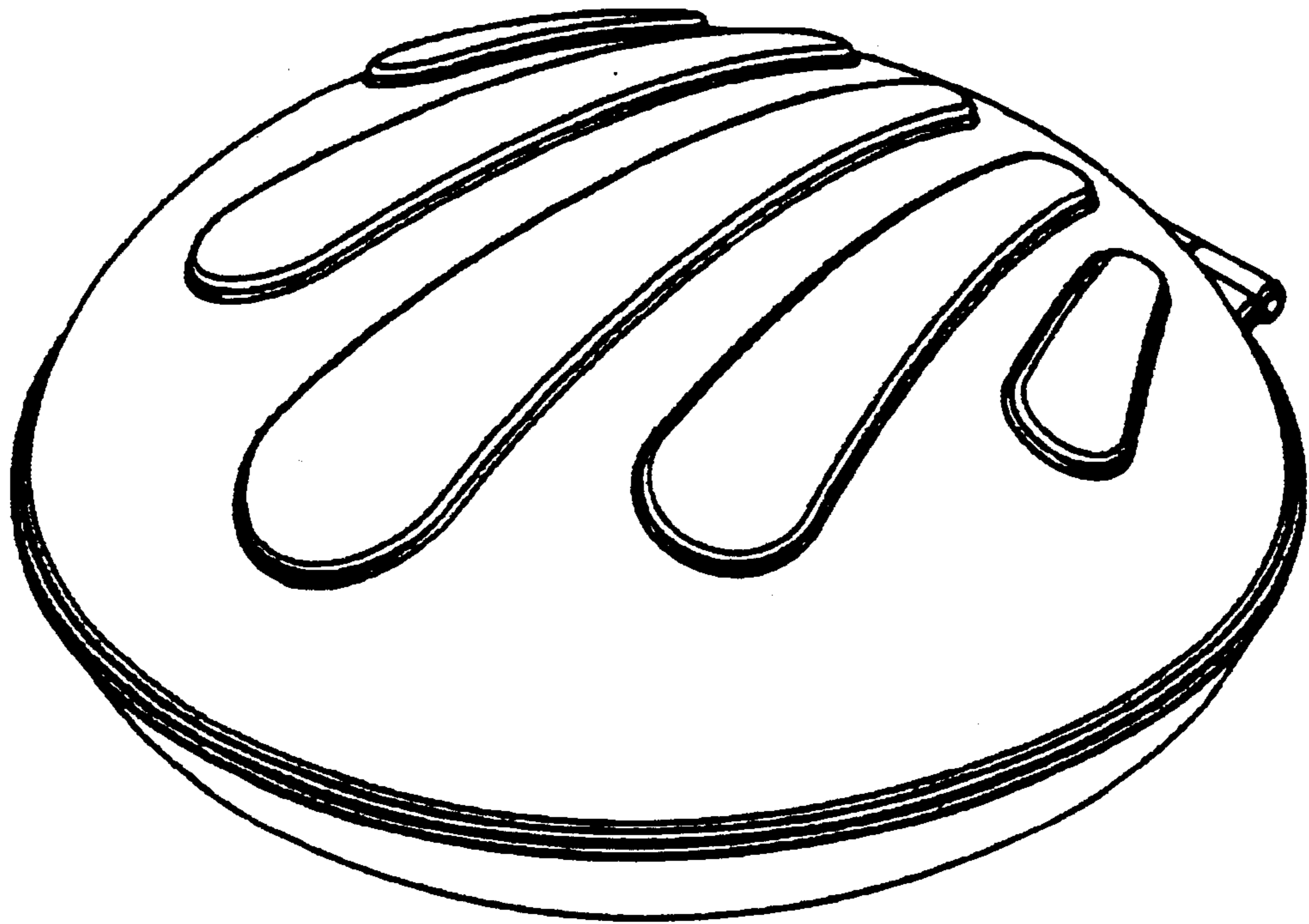


Fig.1

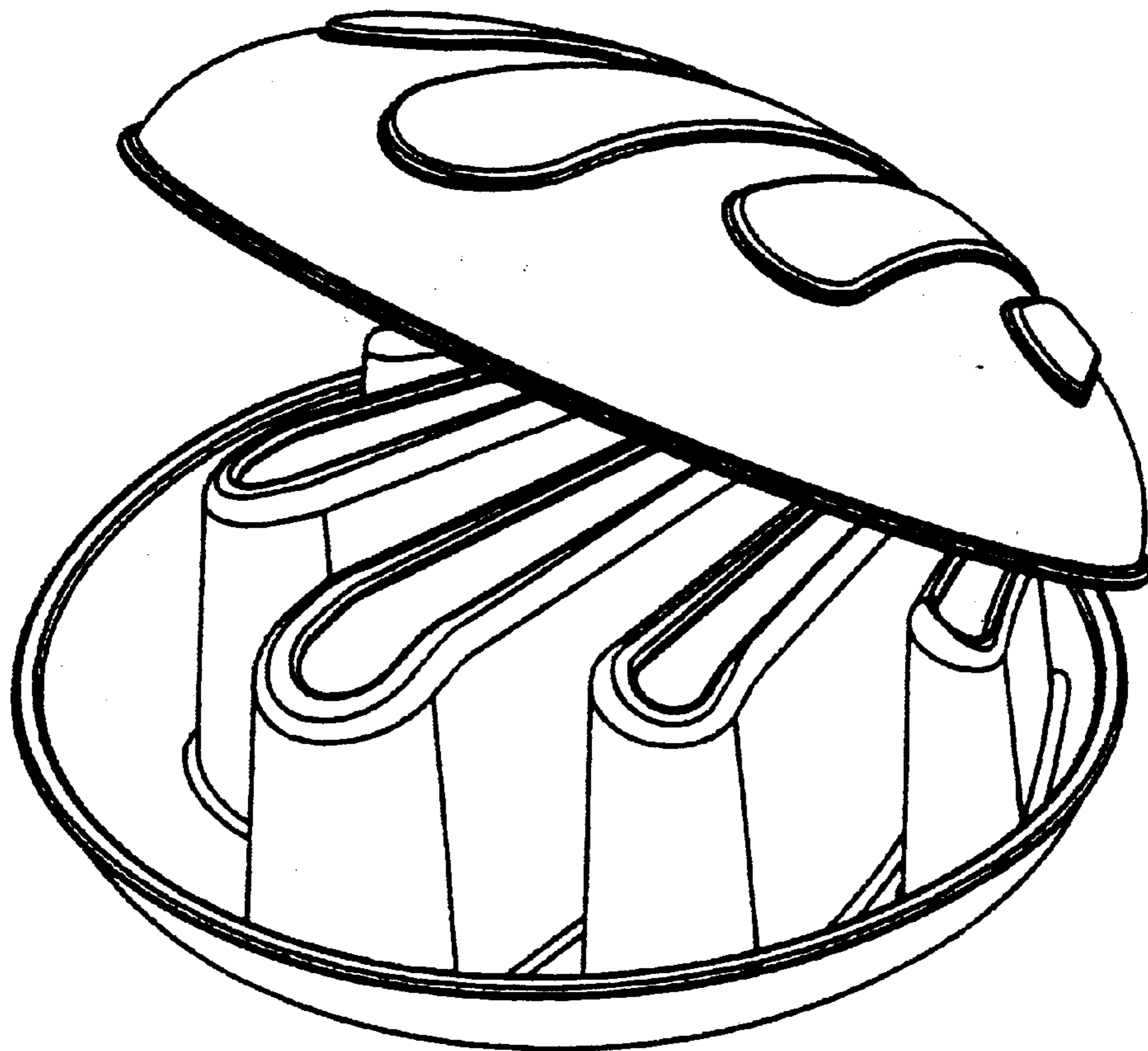


Fig.2

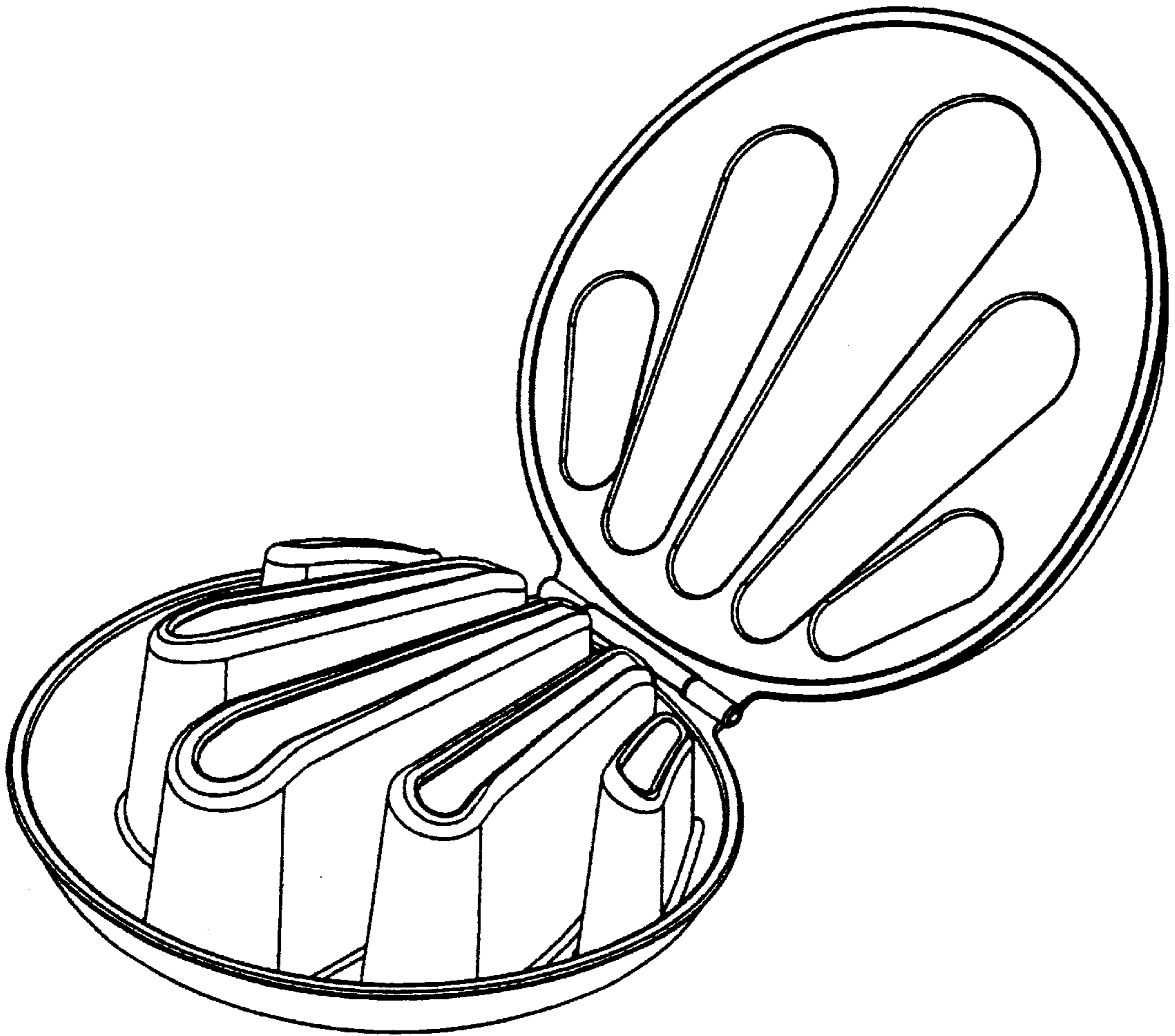


Fig.3

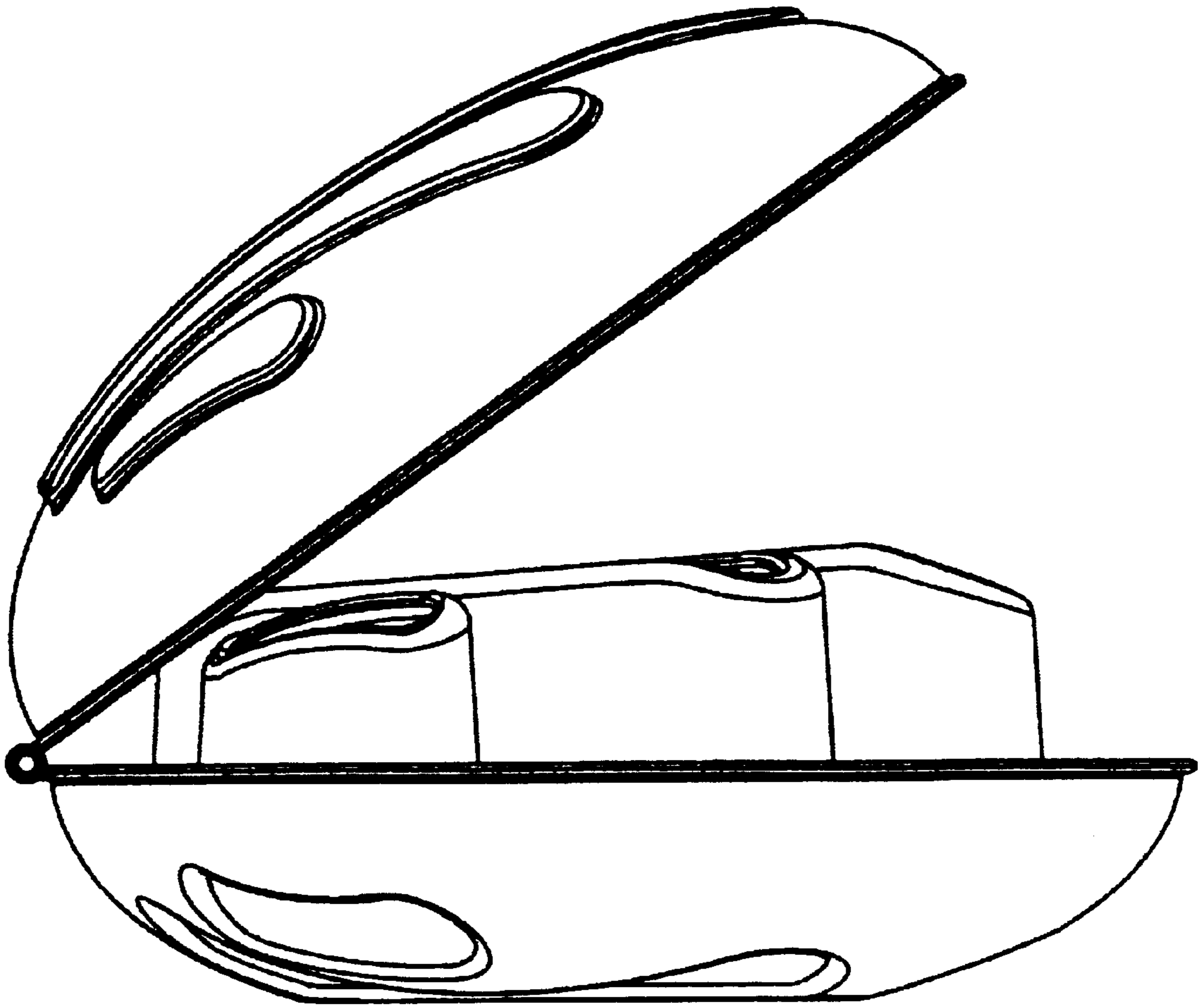


Fig.4

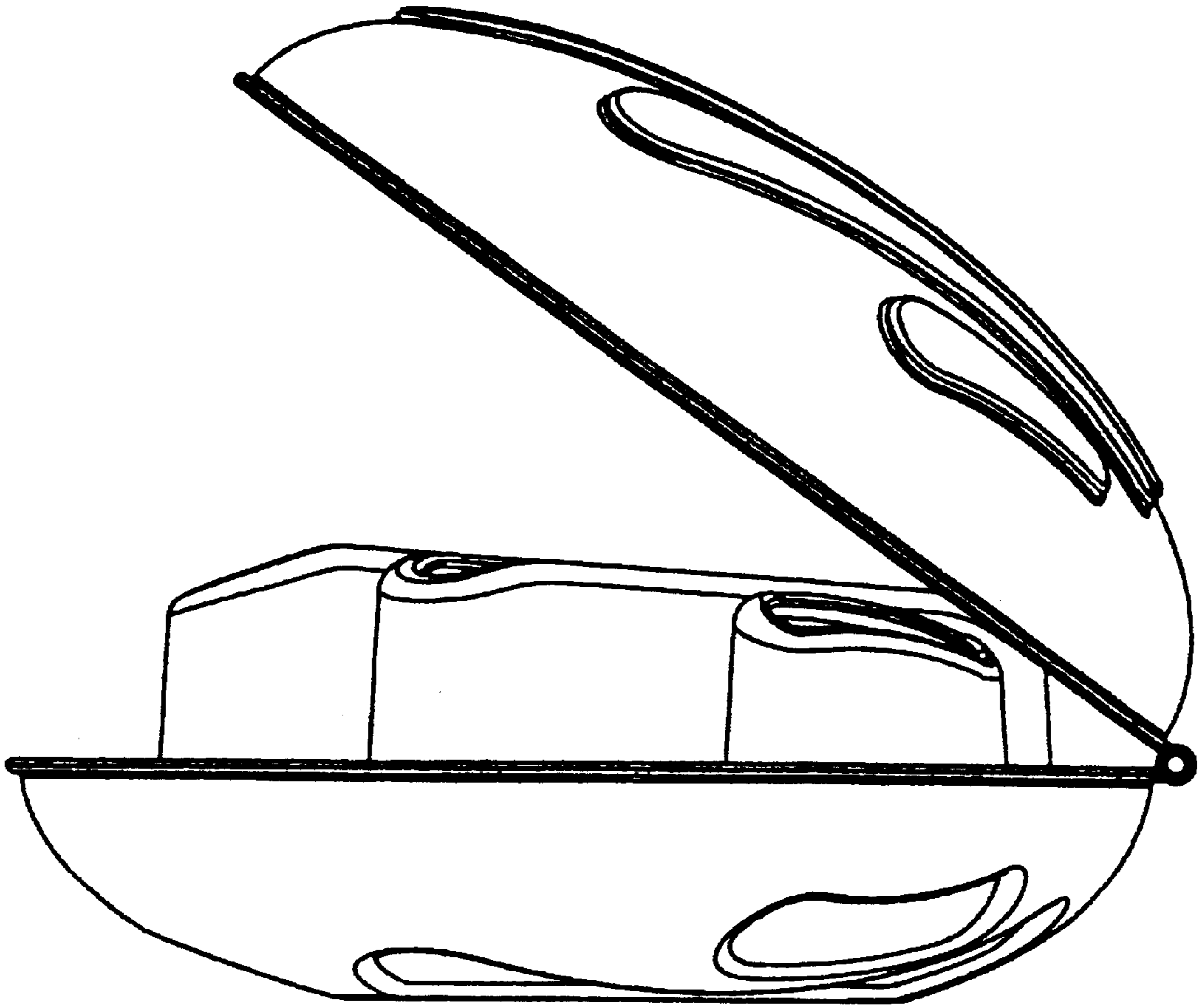


Fig.5

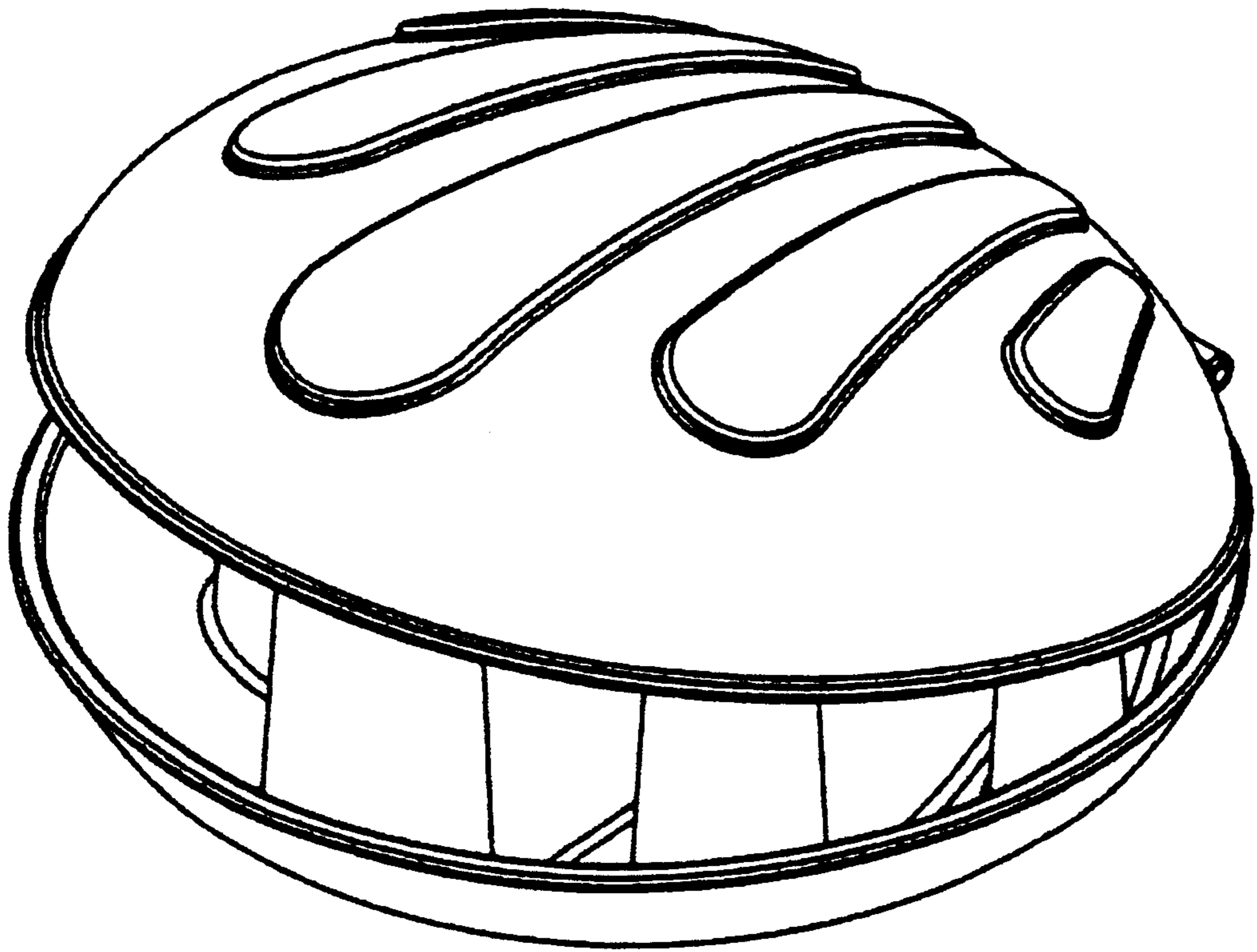


Fig.6