



US00D489439S

(12) **United States Design Patent**
Brunner et al.

(10) **Patent No.:** **US D489,439 S**

(45) **Date of Patent:** **** May 4, 2004**

(54) **GAS HEATER FOR PATIOS, AND THE LIKE**

(76) Inventors: **John Brunner**, Direct Designs, Manor Farm Factory Cricket St., Thomas Chard, Somerset (GB), TA20 4BZ;
Jeremy Taylor, Direct Designs, Manor Farm Factory Cricket St., Thomas Chard, Somerset (GB), TA20 4BZ

(**) Term: **14 Years**

(21) Appl. No.: **29/168,075**

(22) Filed: **Sep. 24, 2002**

(51) **LOC (7) Cl.** **23-03**

(52) **U.S. Cl.** **D23/342**

(58) **Field of Search** D23/332, 342,
D23/336, 338; 126/25 R, 67, 92 A, 92 B,
92 AC, 9 A

(56) **References Cited**

U.S. PATENT DOCUMENTS

D325,963 S * 5/1992 Anderson D23/342
D429,324 S * 8/2000 Olson et al. D23/342

6,164,273 A * 12/2000 Waters 126/92 B
D446,290 S * 8/2001 Jeng D23/328
D450,816 S * 11/2001 Bilotti D23/328
D451,988 S * 12/2001 Ashton et al. D23/328
D452,301 S * 12/2001 Schwartz et al. D23/328
6,397,835 B1 * 6/2002 Liang 126/92 B

* cited by examiner

Primary Examiner—Brian N. Vinson
(74) *Attorney, Agent, or Firm*—Ostrolenk, Faber, Gerb & Soffen, LLP

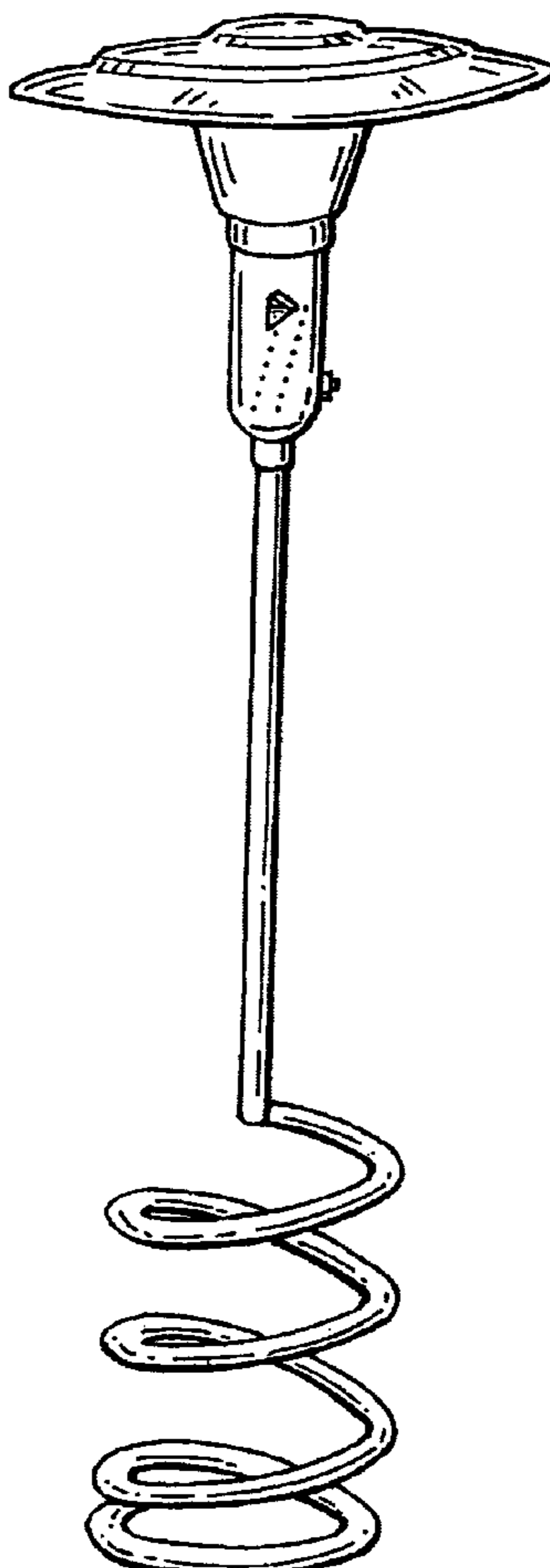
(57) **CLAIM**

The ornamental design for gas heater for patios, and the like, as shown and described.

DESCRIPTION

FIG. 1 is a front perspective view of a gas heater for patios and the like showing my new design;
FIG. 2 is an enlarged side view of the upper portion thereof showing a cross-section through a cover thereof;
FIG. 3 is a top view thereof; and,
FIG. 4 is a bottom view thereof.

1 Claim, 2 Drawing Sheets



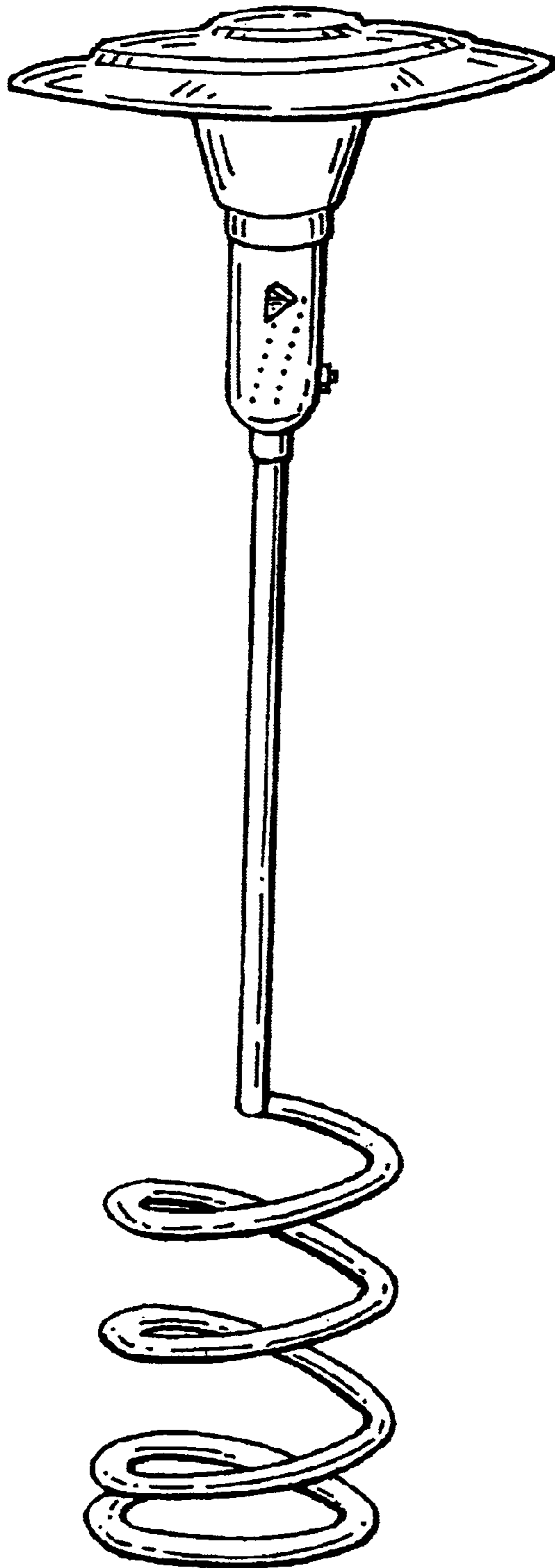


FIG. 1

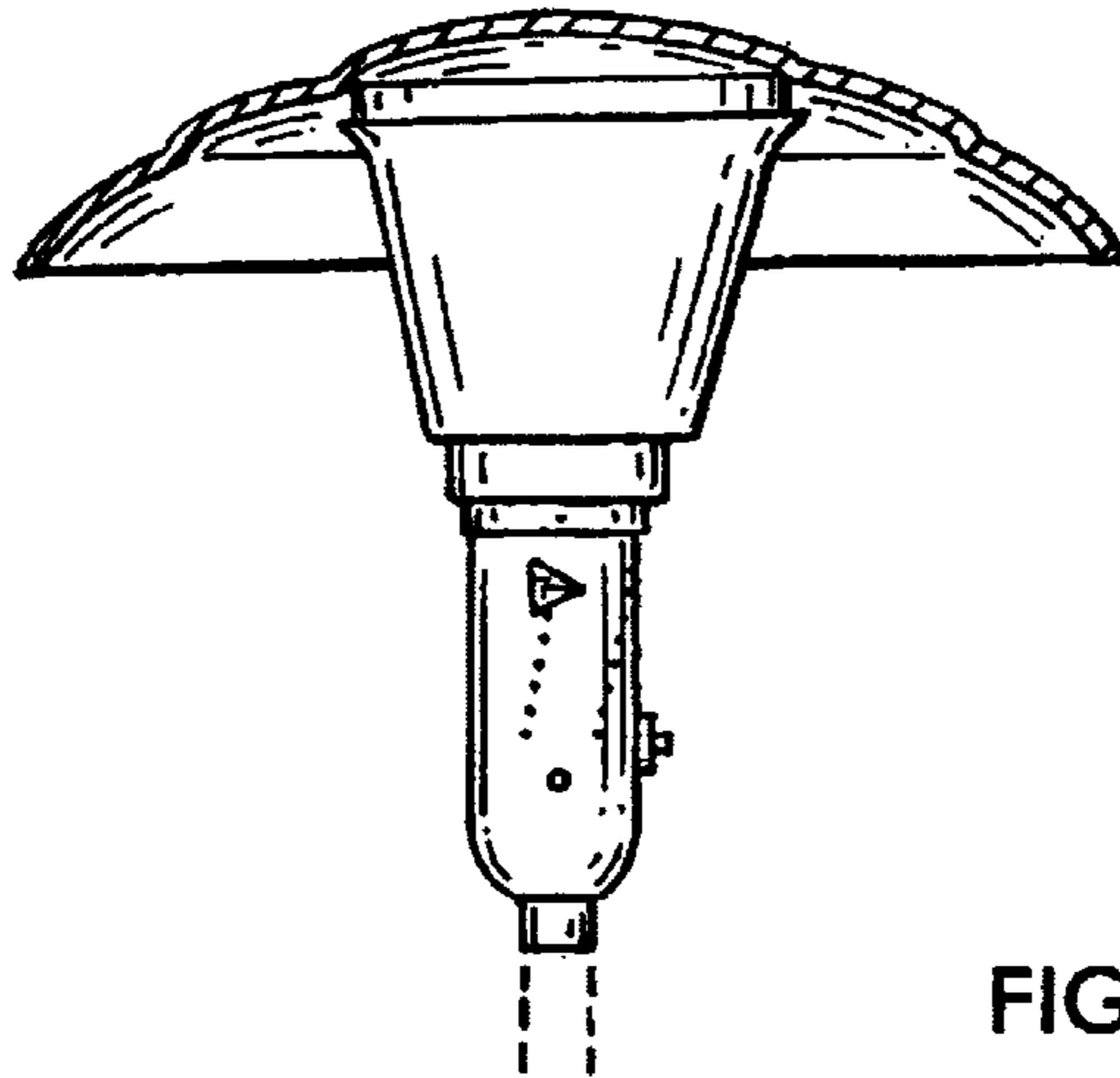


FIG. 2

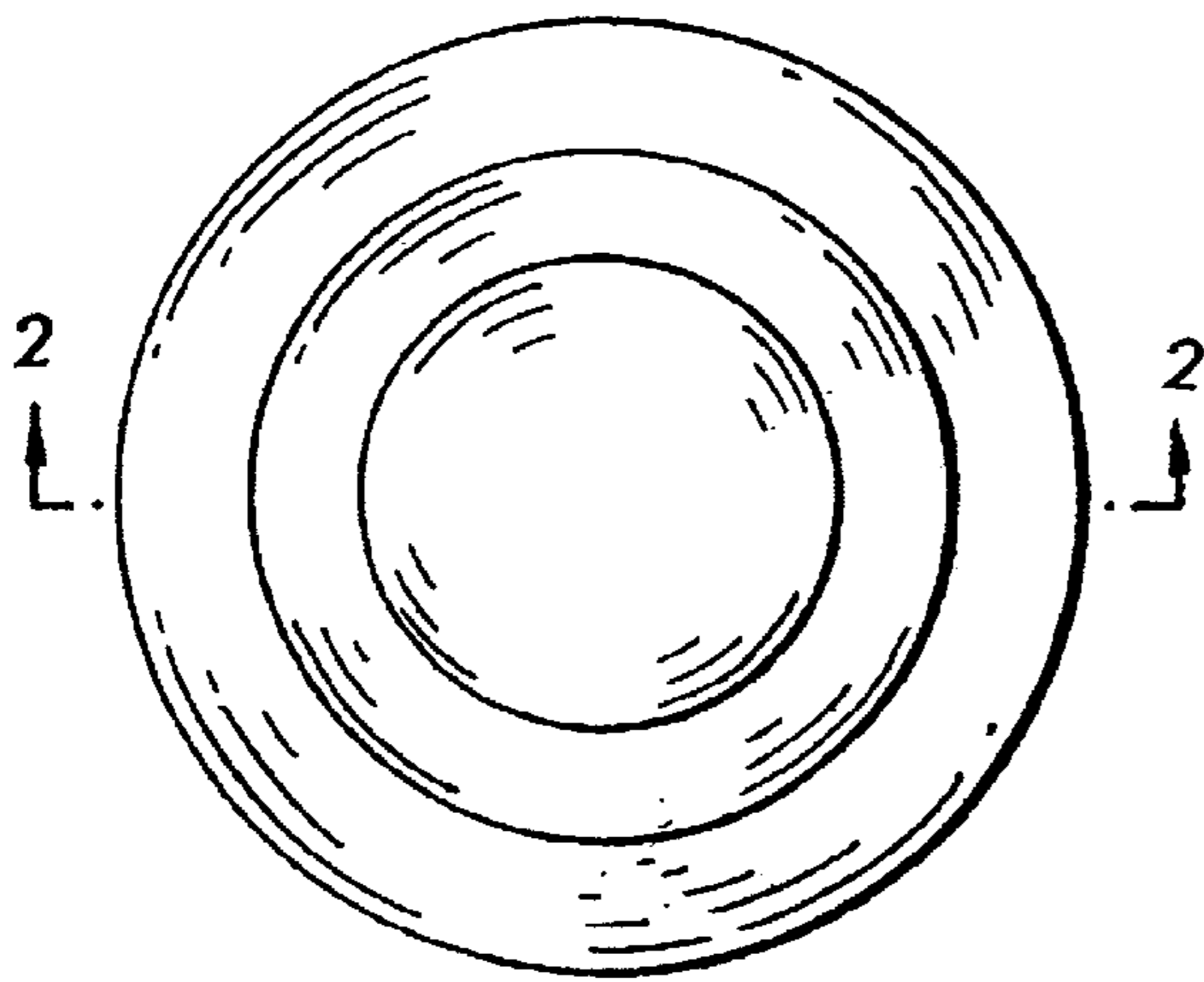


FIG. 3

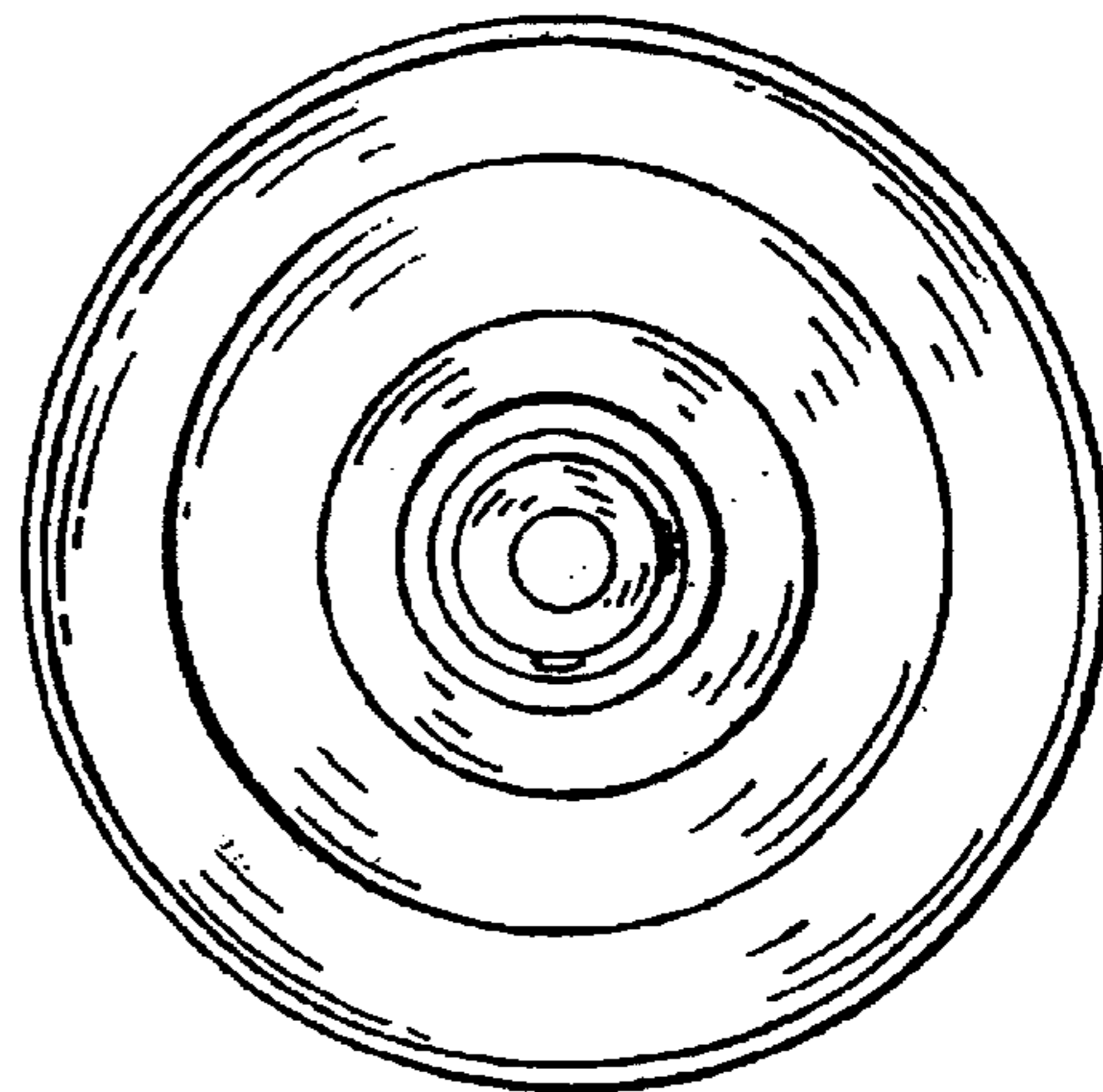


FIG. 4