



US00D489438S

(12) **United States Design Patent**
Hunt

(10) **Patent No.:** **US D489,438 S**

(45) **Date of Patent:** **** May 4, 2004**

(54) **ELEVATED TOILET SEAT**

6,052,838 A 4/2000 Thom et al.
D447,548 S 9/2001 Schneider
D460,815 S 7/2002 Higgs et al.

(75) Inventor: **Jill M. Hunt**, Harvard, IL (US)

(73) Assignee: **Moen Incorporated**, North Olmsted, OH (US)

* cited by examiner

(**) Term: **14 Years**

Primary Examiner—Louis S. Zarfes
Assistant Examiner—Robert A. Delehanty
(74) *Attorney, Agent, or Firm*—Cook, Alex, McFarron, Manzo, Cummings & Mehler, Ltd.

(21) Appl. No.: **29/172,351**

(22) Filed: **Dec. 10, 2002**

(57) **CLAIM**

(51) **LOC (7) Cl.** **23-02**

The ornamental design for an elevated toilet seat, as shown and described.

(52) **U.S. Cl.** **D23/311**

(58) **Field of Search** D23/309, 303,
D23/311–312; 4/661, 217, 234, 237, 242.1,
246.5

DESCRIPTION

(56) **References Cited**

U.S. PATENT DOCUMENTS

D212,327 S	10/1968	Brewer	
4,133,061 A	1/1979	Hurd	
D290,035 S	5/1987	Mann et al.	
D307,048 S	* 4/1990	Spiegel D23/311
D336,954 S	6/1993	Paglia	
D390,931 S	* 2/1998	Jackson D23/311
5,765,236 A	6/1998	Bethanis	
D421,491 S	3/2000	Hewitt	

FIG. 1 is a perspective view of our new design for an elevated toilet seat.
FIG. 2 is a top plan view.
FIG. 3 is a bottom plan view.
FIG. 4 is a right side elevation view.
FIG. 5 is a rear elevation view.
FIG. 6 is a left side elevation view; and,
FIG. 7 is a front elevation view.
The broken line showing of portions of the structure is for illustrative purposes only and forms no part of the claimed design.

1 Claim, 2 Drawing Sheets

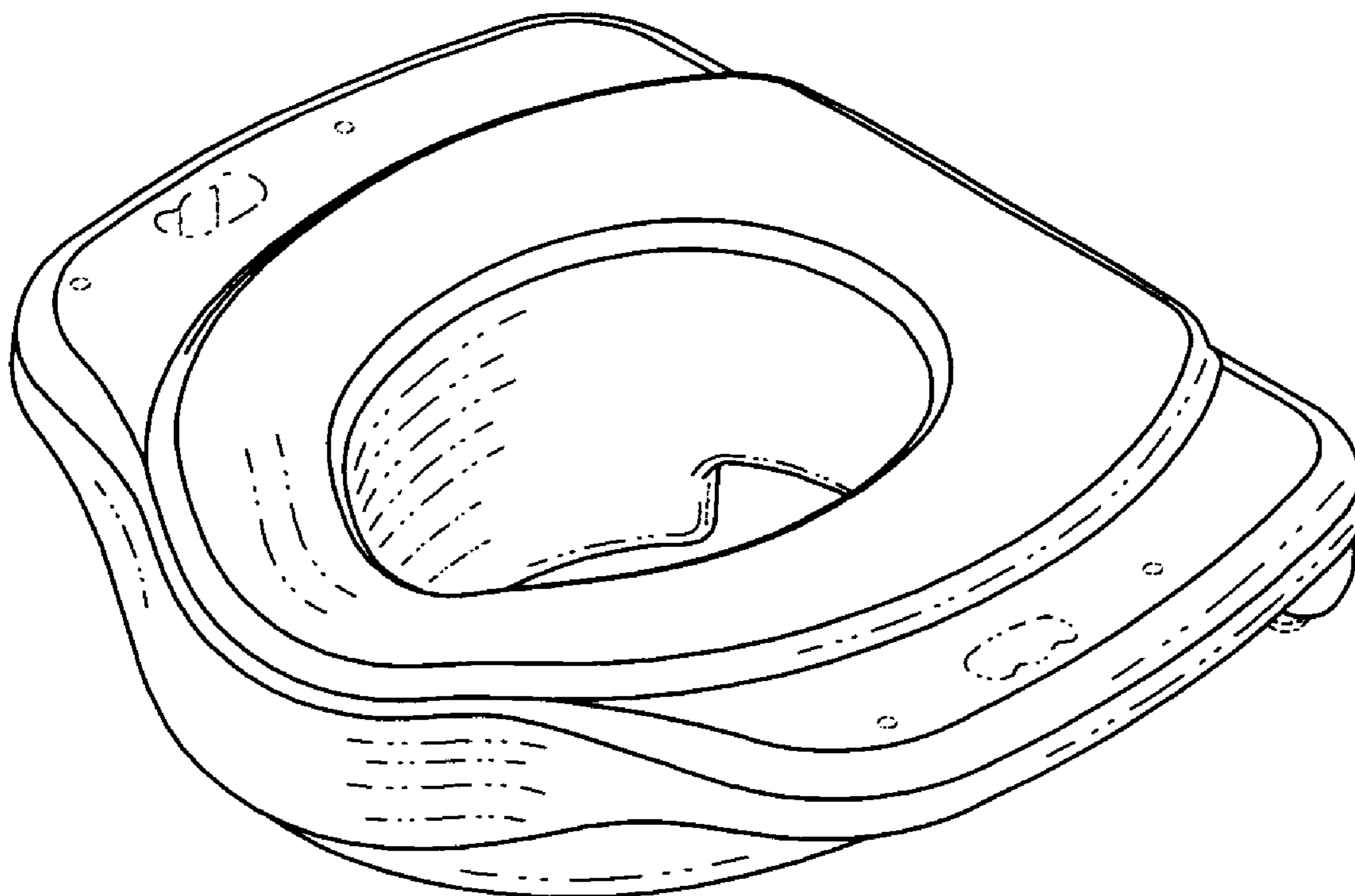


FIG. 1

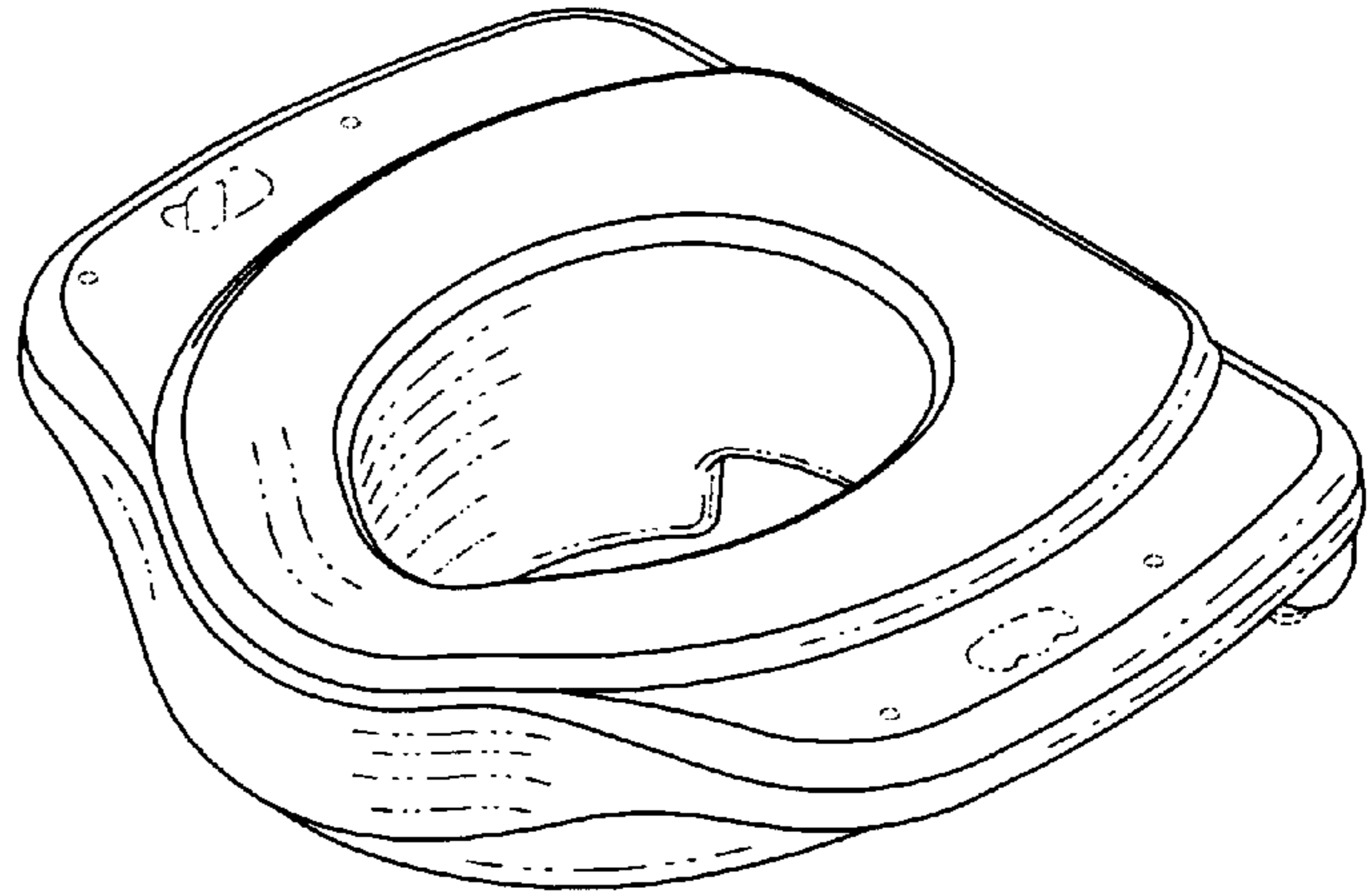


FIG. 2

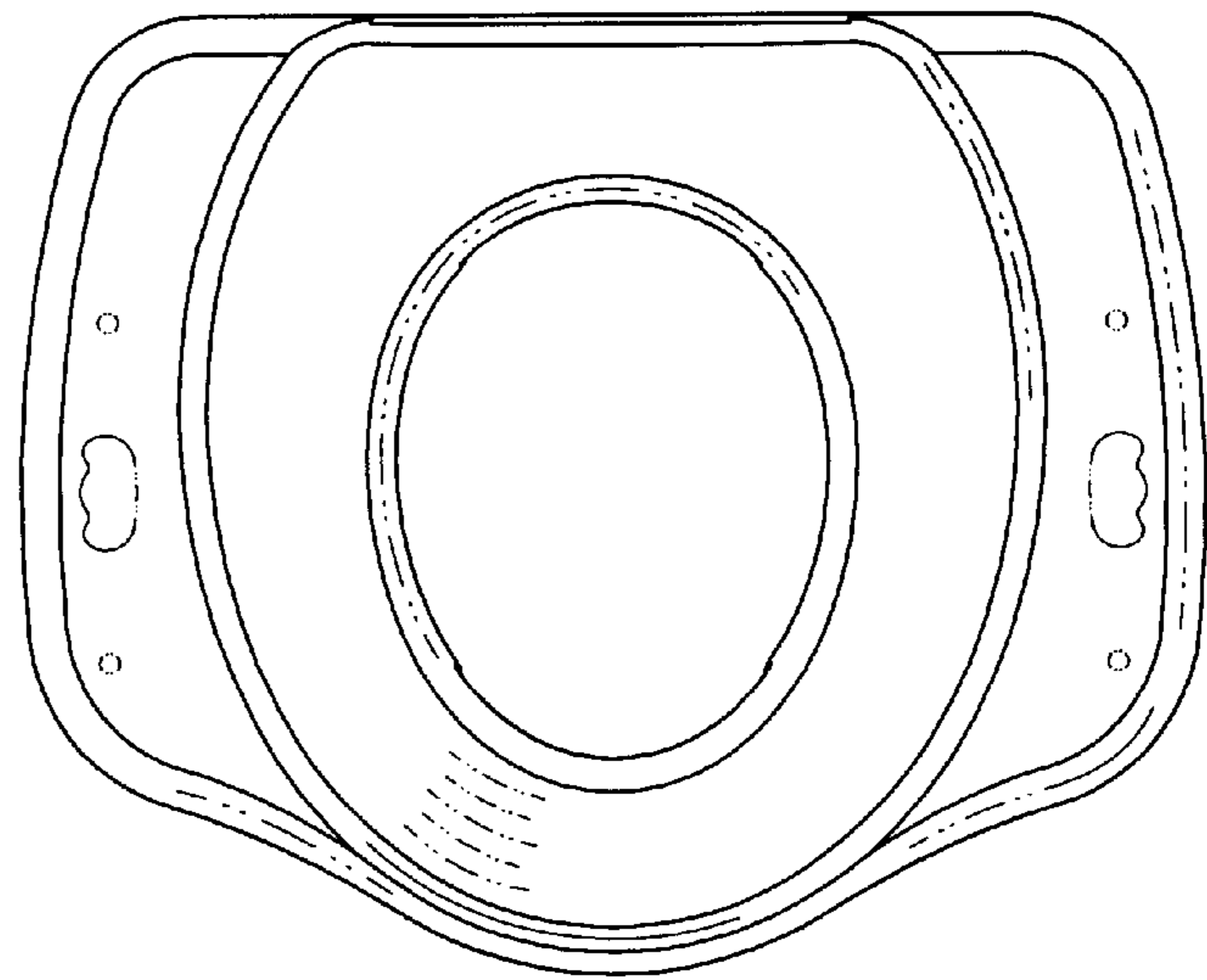
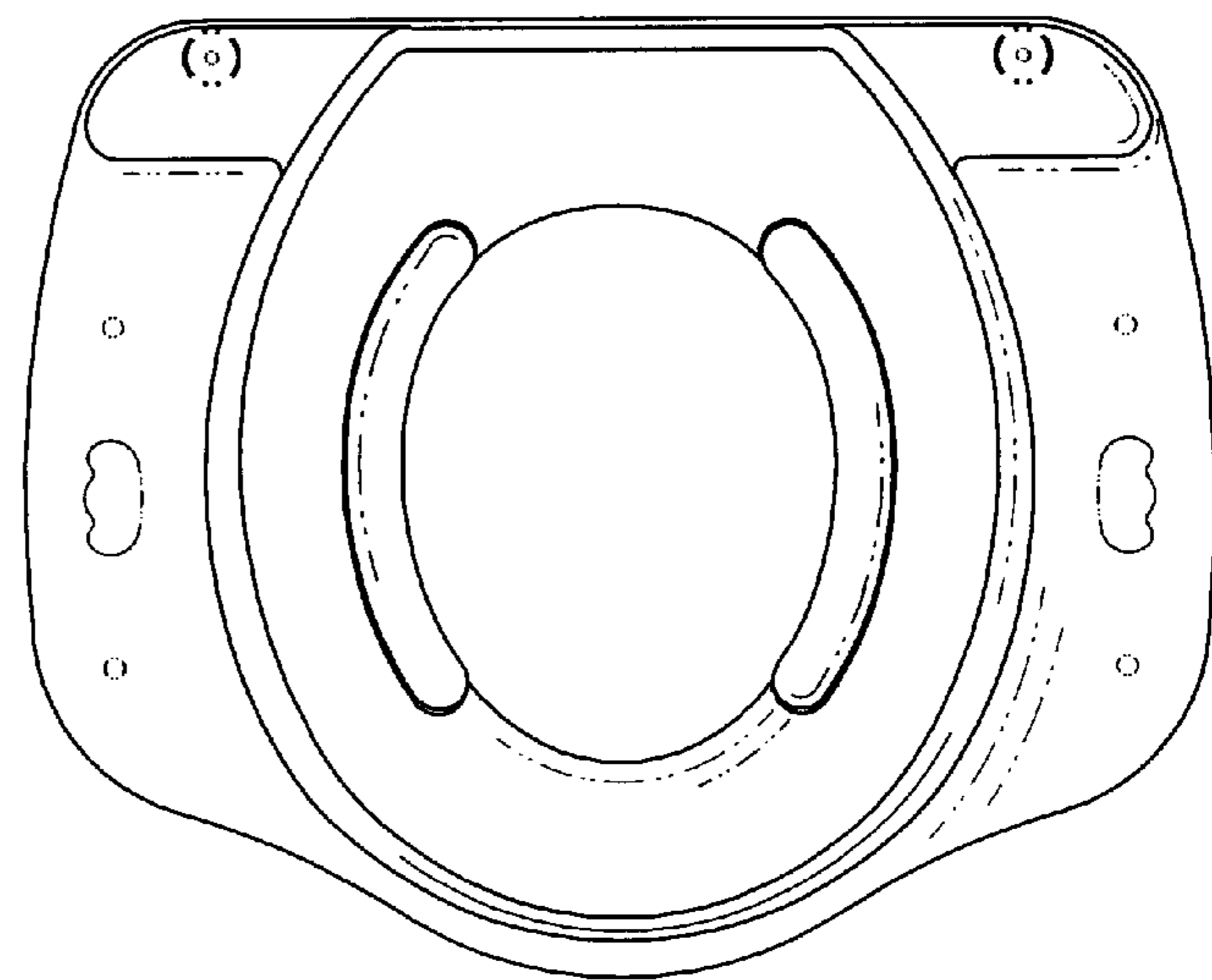


FIG. 3



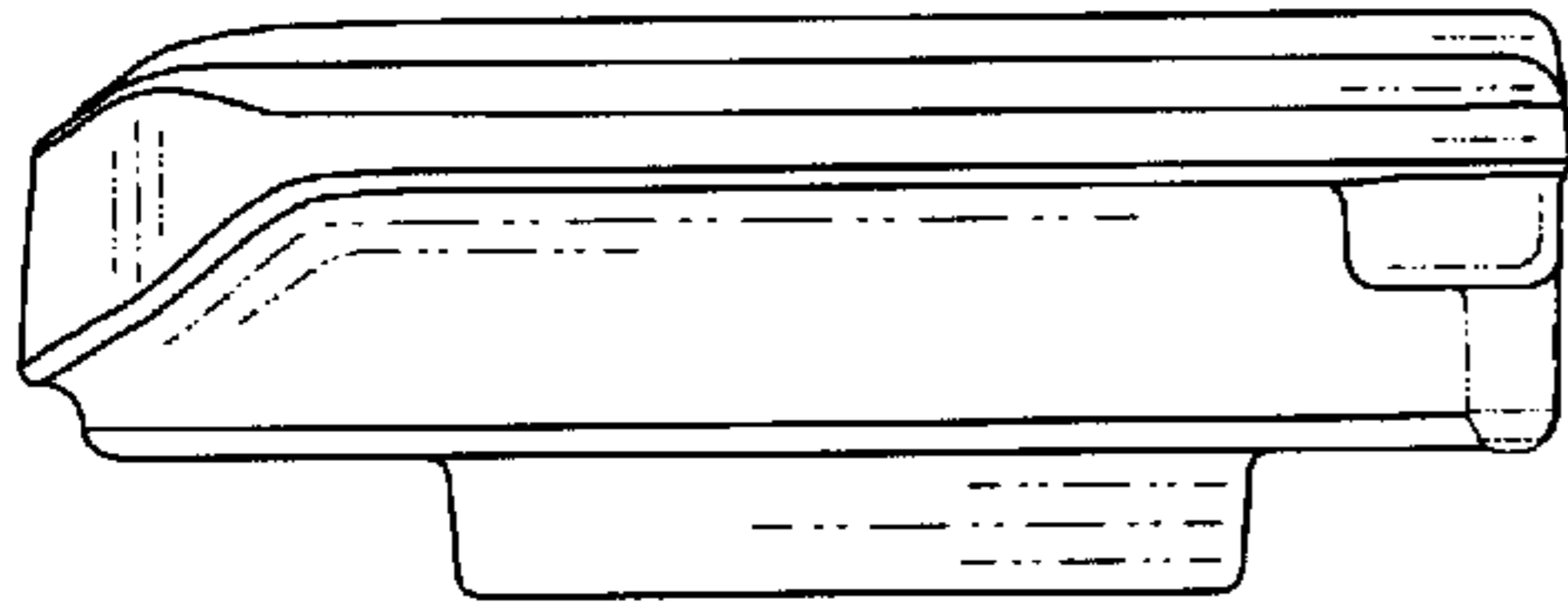


FIG. 4

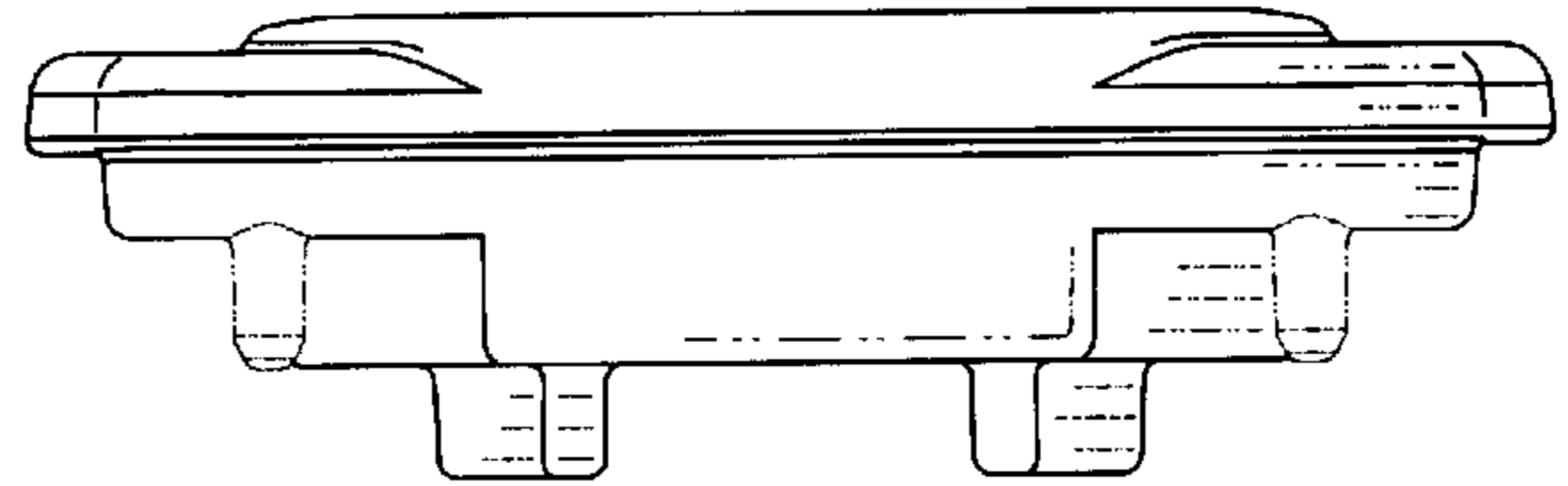


FIG. 5

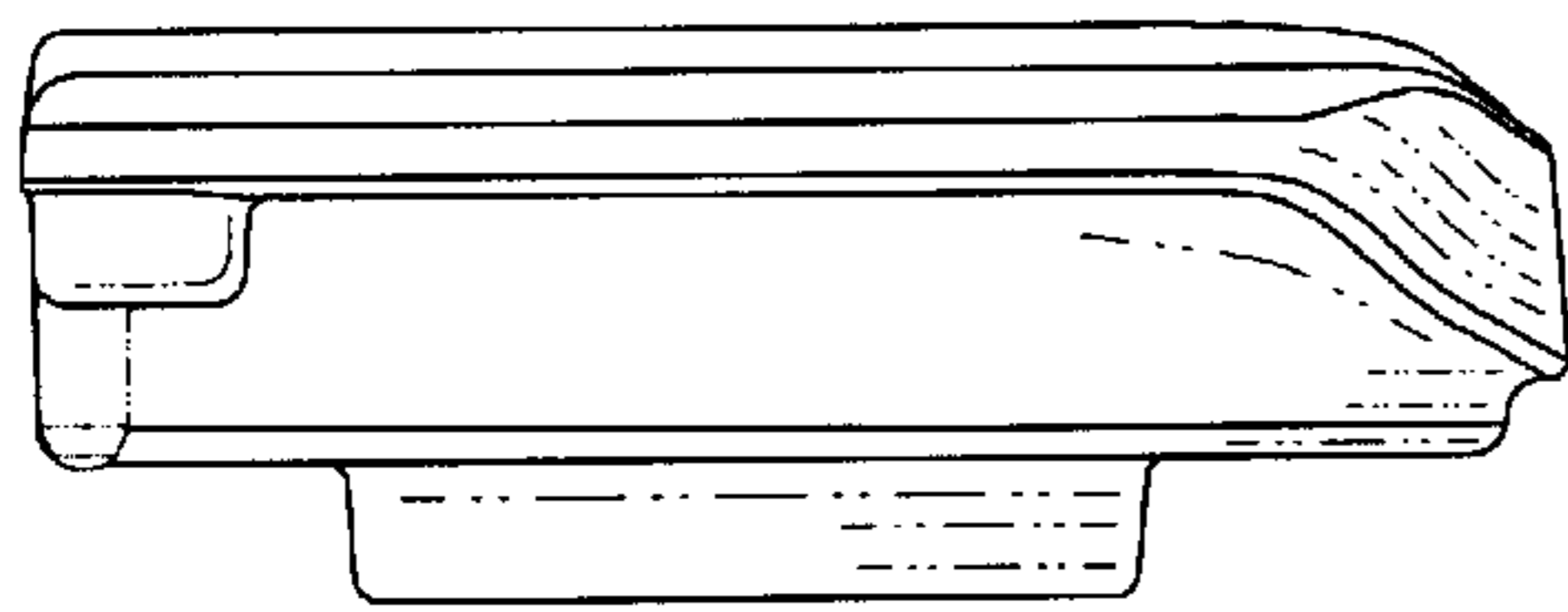


FIG. 6

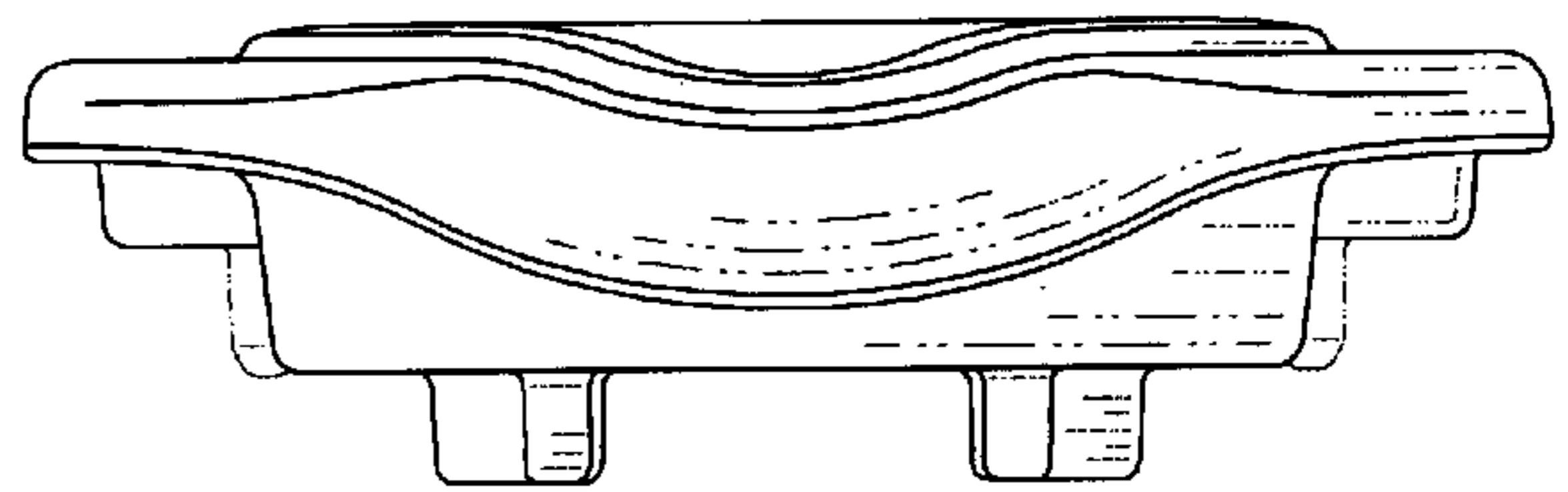


FIG. 7