



US00D489437S

(12) **United States Design Patent**  
**Song**

(10) **Patent No.:** **US D489,437 S**

(45) **Date of Patent:** **\*\* May 4, 2004**

(54) **WATER CLOSET**

(76) **Inventor:** **Young Soo Song**, 5529 Fox Tail La.,  
Ellicott City, MD (US) 21043

(\*\*) **Term:** **14 Years**

(21) **Appl. No.:** **29/185,456**

(22) **Filed:** **Jun. 30, 2003**

(51) **LOC (7) Cl.** ..... **23-02**

(52) **U.S. Cl.** ..... **D23/301**

(58) **Field of Search** ..... D23/273-274,  
D23/295-301, 309, 313; 4/663-665, 300,  
310, 329, 405, 353-354, 443-446, 449,  
460, 474, 480, 902, DIG. 1

(56) **References Cited**

**U.S. PATENT DOCUMENTS**

D150,397 S	*	8/1948	Berg	.....	D23/295
D256,611 S	*	8/1980	Primault	.....	D23/301
D271,690 S	*	12/1983	Strobel	.....	D23/301
D350,820 S	*	9/1994	Chiu	.....	D23/301

\* cited by examiner

*Primary Examiner*—Louis S. Zarfaz

*Assistant Examiner*—Robert A. Delehanty

(74) *Attorney, Agent, or Firm*—Rosenberg, Klein & Lee

(57) **CLAIM**

The ornamental design for a water closet, as shown and described.

**DESCRIPTION**

FIG. 1 is a perspective of a water closet showing my new design;

FIG. 2 is a top plan view thereof;

FIG. 3 is a right side elevational view thereof;

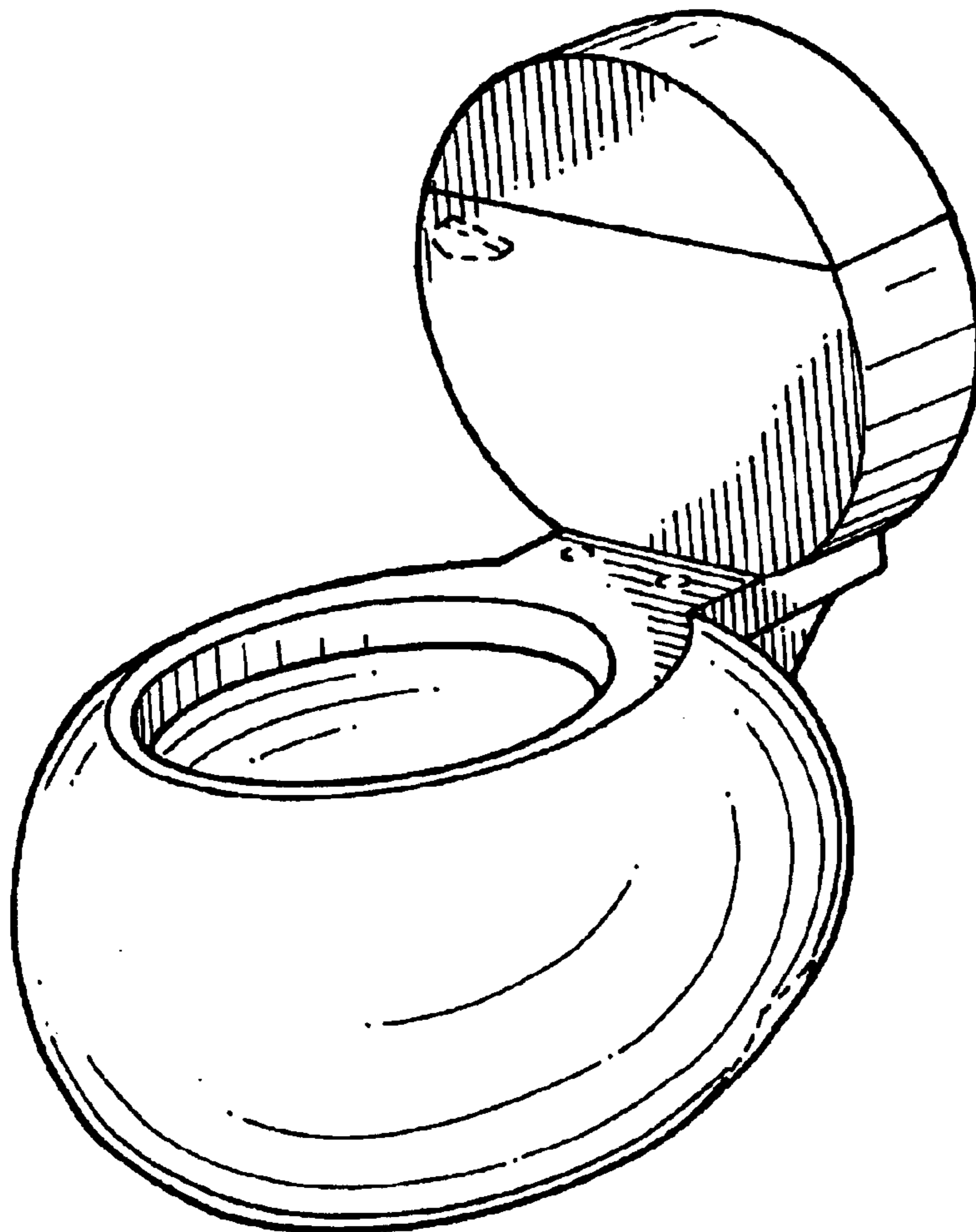
FIG. 4 is a bottom plan view thereof;

FIG. 5 is a front elevational view thereof; and,

FIG. 6 is a rear elevational view thereof.

The broken line showing of the bottom surface and plumbing holes is for illustrative purposes only and forms no part of the claimed design.

**1 Claim, 3 Drawing Sheets**



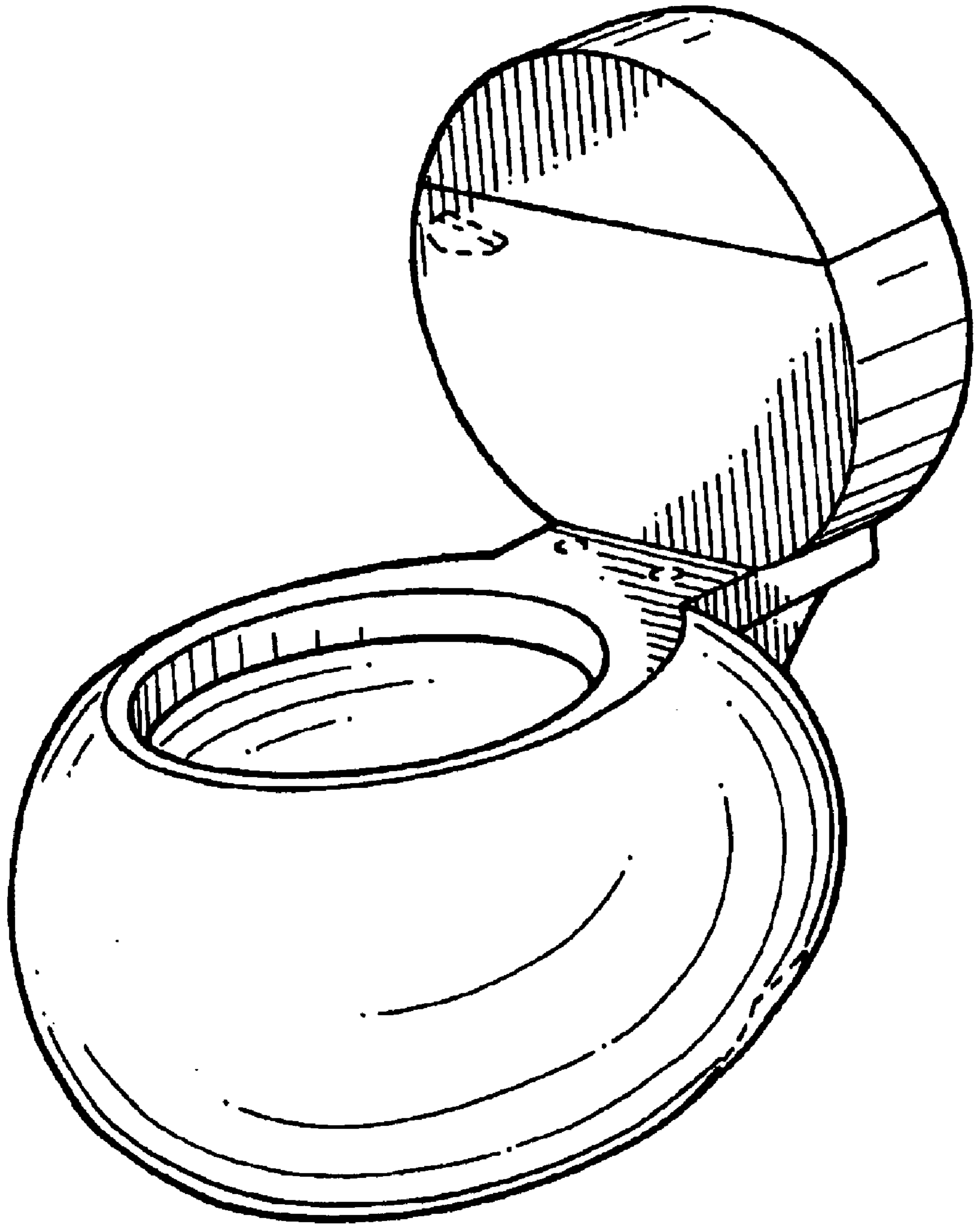


FIG. 1

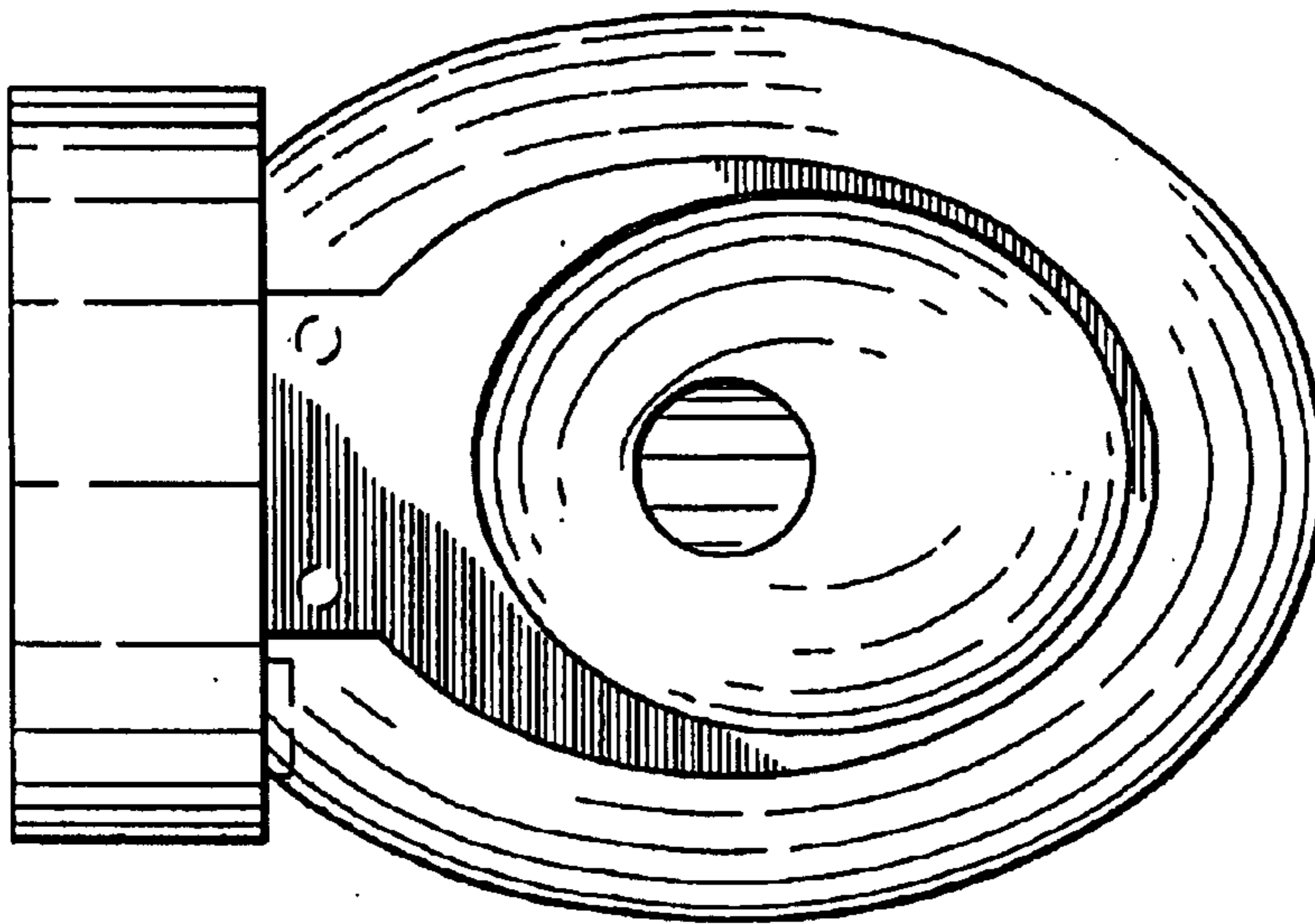


FIG. 2

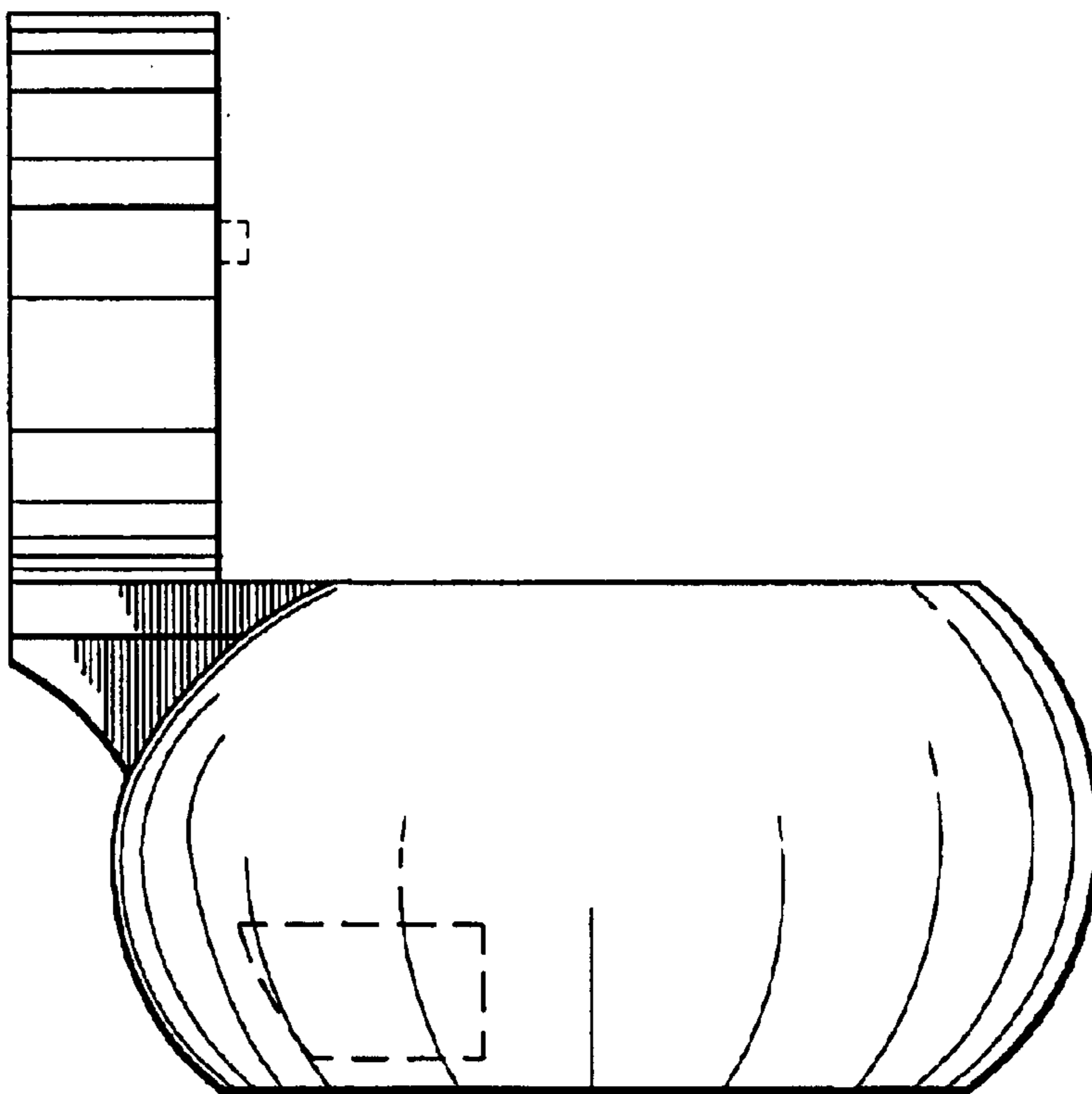


FIG. 3

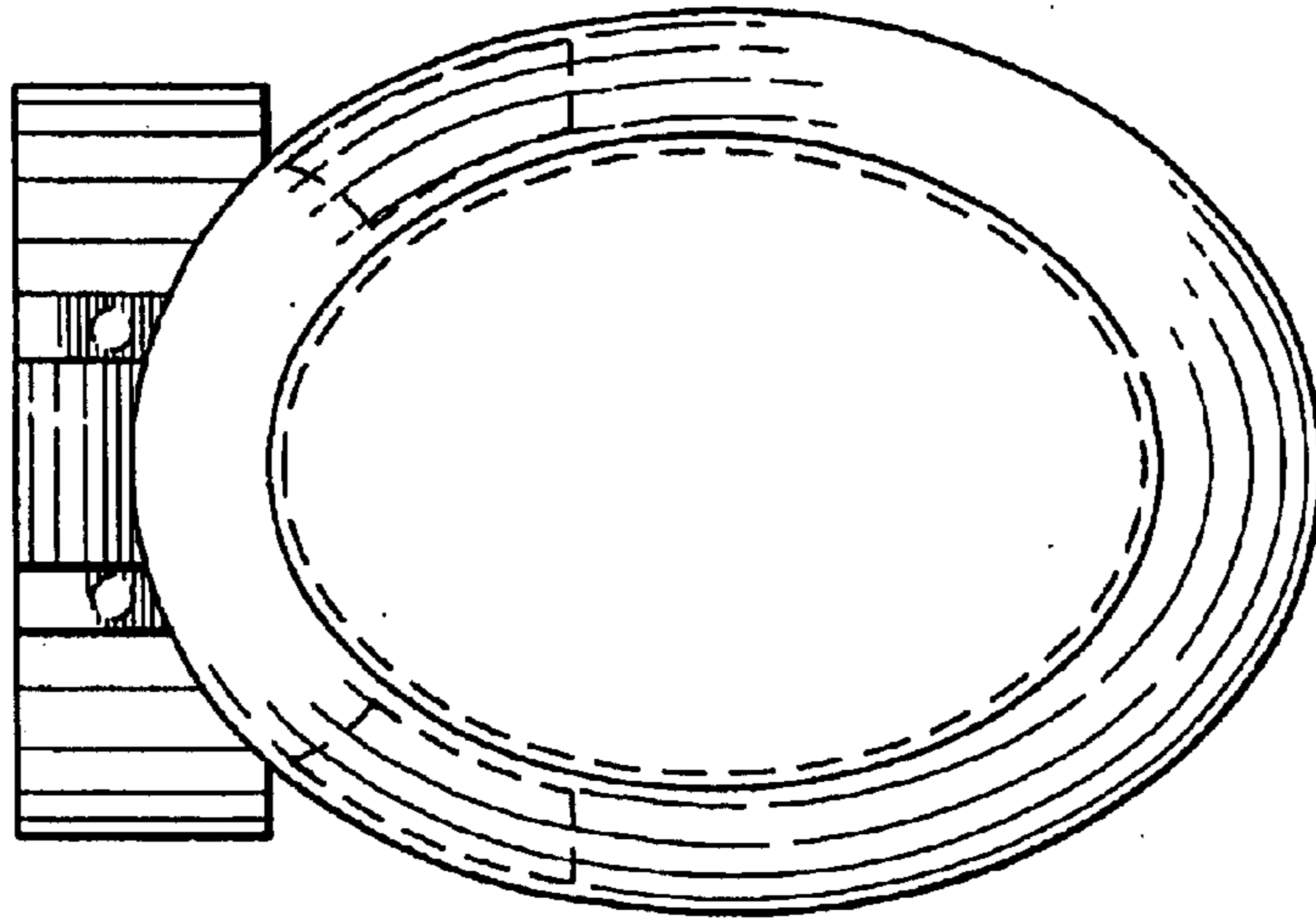


FIG. 4

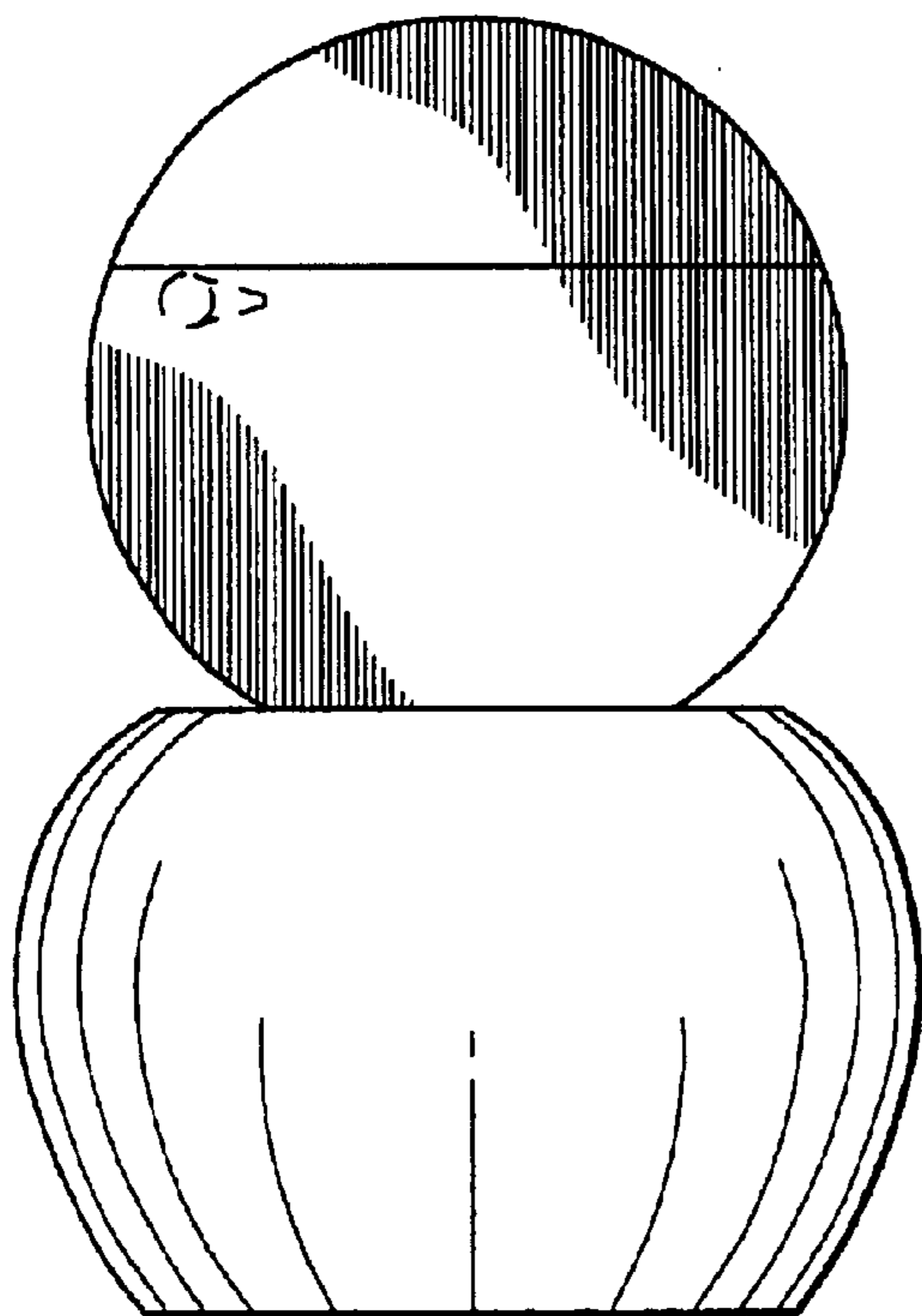


FIG. 5

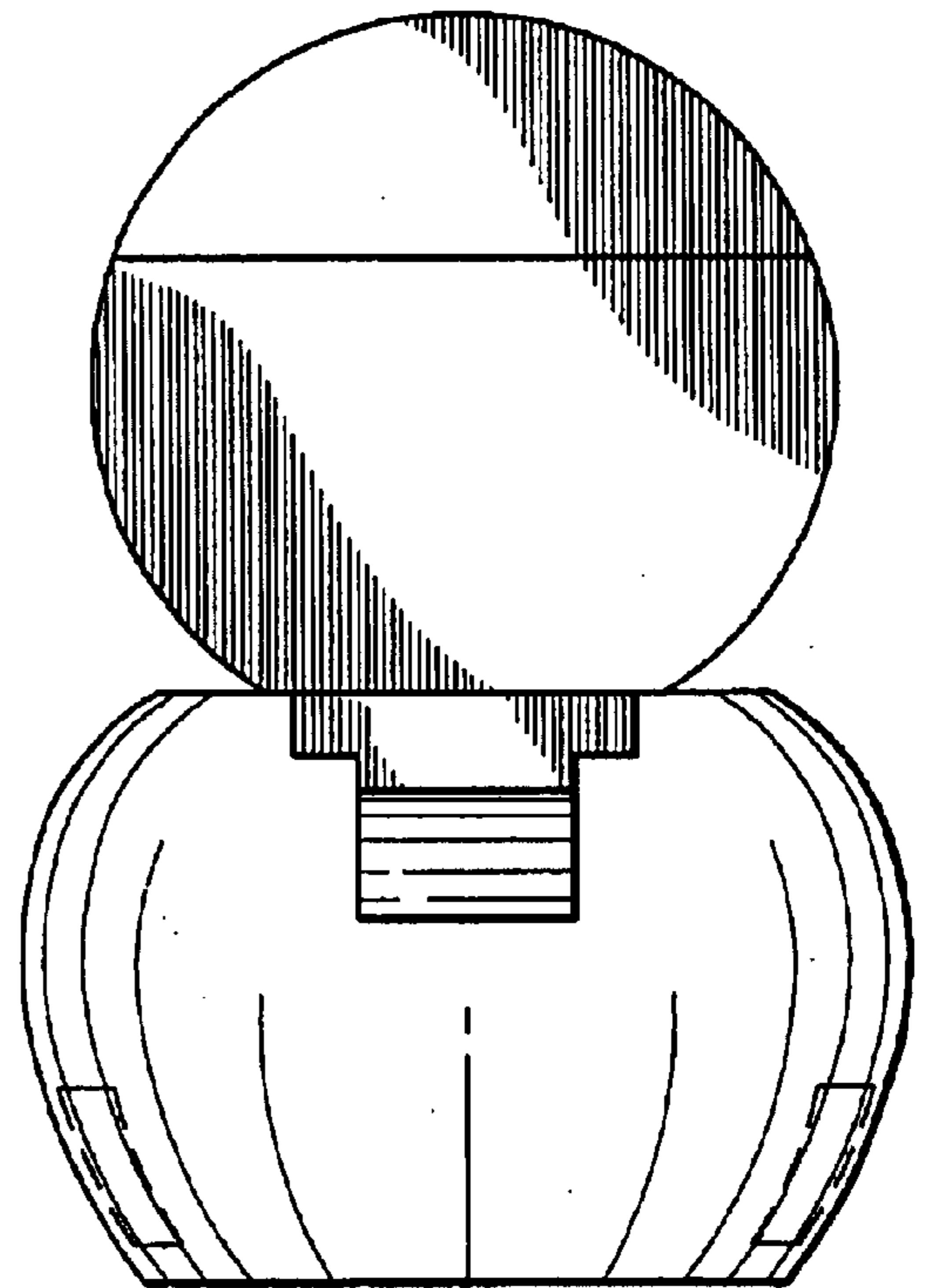


FIG. 6