



US00D489436S

(12) **United States Design Patent**  
**Shimizu**

(10) **Patent No.: US D489,436 S**

(45) **Date of Patent: \*\* \*May 4, 2004**

(54) **BATHTUB**

D324,148 S 2/1992 Dickman ..... D6/511  
D356,902 S 4/1995 Crowell ..... D6/406

(75) Inventor: **Hideo Shimizu**, Tokyo (JP)

(List continued on next page.)

(73) Assignee: **Cappelline Buono Inc.**, Tokyo (JP)

**OTHER PUBLICATIONS**

(\* ) Notice: This patent is subject to a terminal disclaimer.

U.S. patent application Ser. No. 29/168,056, Shimizu, filed Sep. 24, 2002.

(\*\*) Term: **14 Years**

U.S. patent application Ser. No. 29/168,057, Shimizu, filed Sep. 24, 2002.

(21) Appl. No.: **29/168,064**

U.S. patent application Ser. No. 29/168,059, Shimizu, filed Sep. 24, 2002.

(22) Filed: **Sep. 24, 2002**

U.S. patent application Ser. No. 29/168,067, Shimizu, filed Sep. 24, 2002.

(30) **Foreign Application Priority Data**

U.S. patent application Ser. No. 29/168,068, Shimizu, filed Sep. 24, 2002.

Apr. 4, 2002 (JP) ..... 2002-009046

U.S. patent application Ser. No. 29/168,071, Shimizu, filed Sep. 24, 2002.

(51) **LOC (7) Cl.** ..... **23-02**

U.S. patent application Ser. No. 29/168,079, Shimizu, filed Sep. 24, 2002.

(52) **U.S. Cl.** ..... **D23/277**

U.S. patent application Ser. No. 10/179,571, Shimizu, filed Jun. 24, 2002.

(58) **Field of Search** ..... D23/273, 275,  
D23/276, 277, 278, 279, 280.1, 280.2, 280.3,  
303, 304, 305; D24/204, 205; 4/538, 546-548,  
551, 555-557, 559, 571.1-579, 584-586,  
589, 593, 661

U.S. patent application Ser. No. 10/179,596, Shimizu, filed Jun. 24, 2002.

U.S. patent application Ser. No. 10/313,797, Shimizu, filed Dec. 6, 2002.

(56) **References Cited**

*Primary Examiner*—Louis S. Zarfaz  
*Assistant Examiner*—Robert A. Delehanty  
(74) *Attorney, Agent, or Firm*—Ladas & Parry

**U.S. PATENT DOCUMENTS**

D17,902 S	*	11/1887	Torrance	.....	D23/280.1
1,223,230 A		4/1917	Anderson		
1,247,112 A		11/1917	Holmberg et al.		
2,604,579 A		7/1952	Deneboudes	.....	240/2
D192,955 S		6/1962	Moore	.....	D4/4
3,585,991 A		6/1971	Balamuth	.....	128/66
3,788,306 A		1/1974	Eberhard	.....	128/66
4,142,337 A		3/1979	Holcomb	.....	52/169.7
4,364,132 A		12/1982	Robinson	.....	4/546
4,535,489 A		8/1985	Elkins	.....	4/546
D286,233 S		10/1986	Schreiner	.....	D6/397
D288,507 S		3/1987	Evans	.....	D6/384
4,672,898 A		6/1987	Davidson	.....	108/6
4,875,958 A		10/1989	Kurokawa	.....	156/108
D310,311 S		9/1990	Bergen et al.	.....	D6/500
4,974,808 A		12/1990	Ball	.....	248/917
D323,378 S		1/1992	Delepine	.....	D23/281

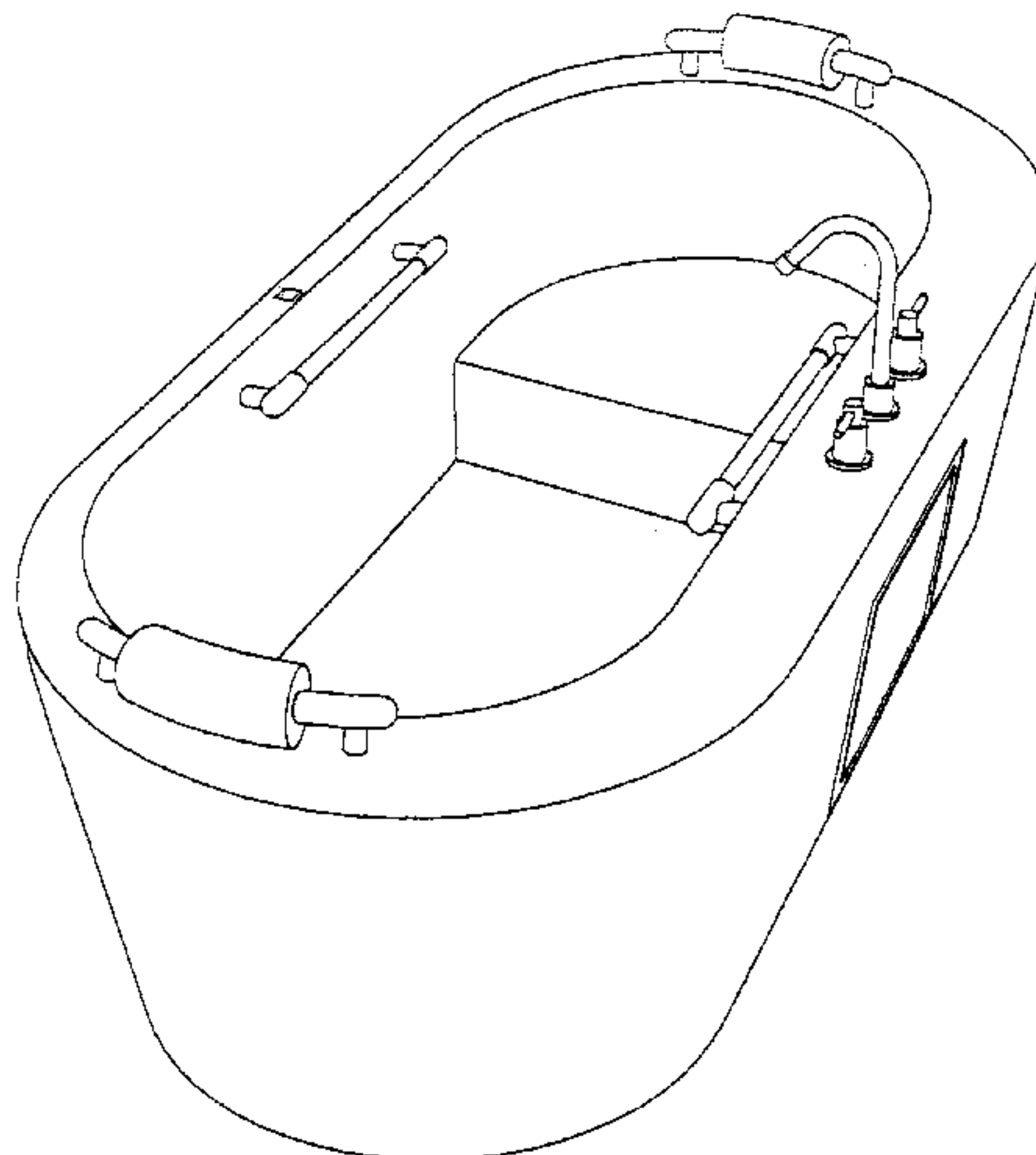
(57) **CLAIM**

The ornamental design for "bathtub", as shown.

**DESCRIPTION**

FIG. 1 is a front view showing the design of this invention;  
FIG. 2 is a back view thereof;  
FIG. 3 is a right side view thereof;  
FIG. 4 is a left side view thereof;  
FIG. 5 is a top view thereof;  
FIG. 6 is a bottom view thereof; and,  
FIG. 7 is a perspective view thereof.

**1 Claim, 4 Drawing Sheets**



# US D489,436 S

Page 2

---

## U.S. PATENT DOCUMENTS

D367,708 S	3/1996	Lawing et al. ....	D24/204	D451,986 S	* 12/2001	Marshall et al. ....	D23/280.1
D373,817 S	9/1996	Andronico .....	D23/277	D453,207 S	1/2002	Pavlopoulos .....	D23/277
5,553,735 A	9/1996	Kimura .....	220/469	D462,113 S	8/2002	Marshall et al. ....	D23/280.1
5,604,940 A	2/1997	Shimizu .....	4/541.1	6,510,277 B1	1/2003	Dongo .....	385/147
D390,376 S	2/1998	Chang .....	D6/424	D470,579 S	* 2/2003	Foster .....	D23/280.1
D412,973 S	8/1999	Donnely .....	D23/277	D473,634 S	4/2003	Foster .....	D23/277
D428,713 S	8/2000	Arko et al. ....	D6/336	D473,724 S	4/2003	De Wit .....	D6/336
D444,546 S	* 7/2001	Shimizu .....	D23/277	6,539,561 B2	4/2003	Shimizu .....	4/559
D448,834 S	* 10/2001	Shimizu .....	D23/277				

\* cited by examiner

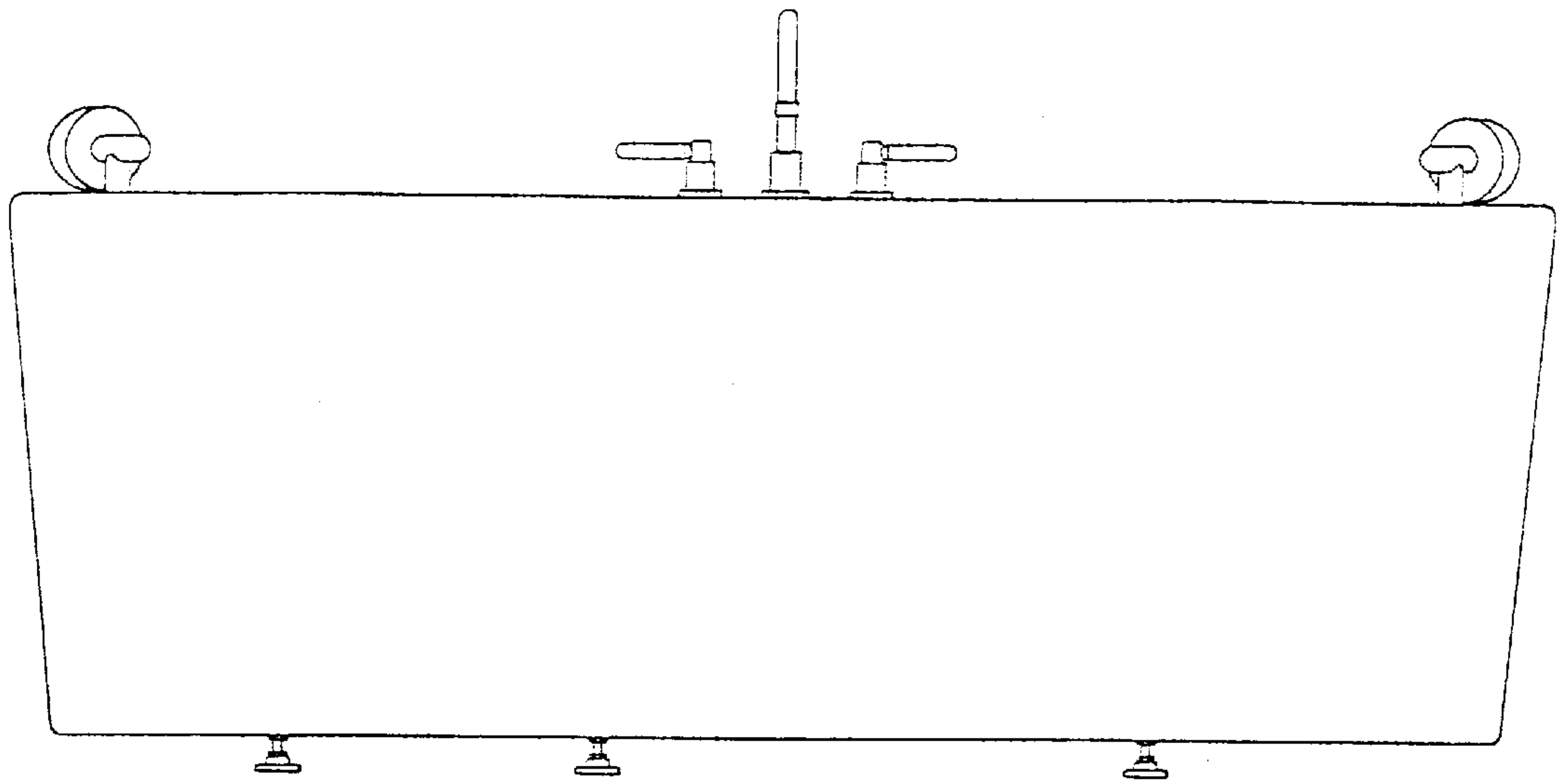


Fig. 1

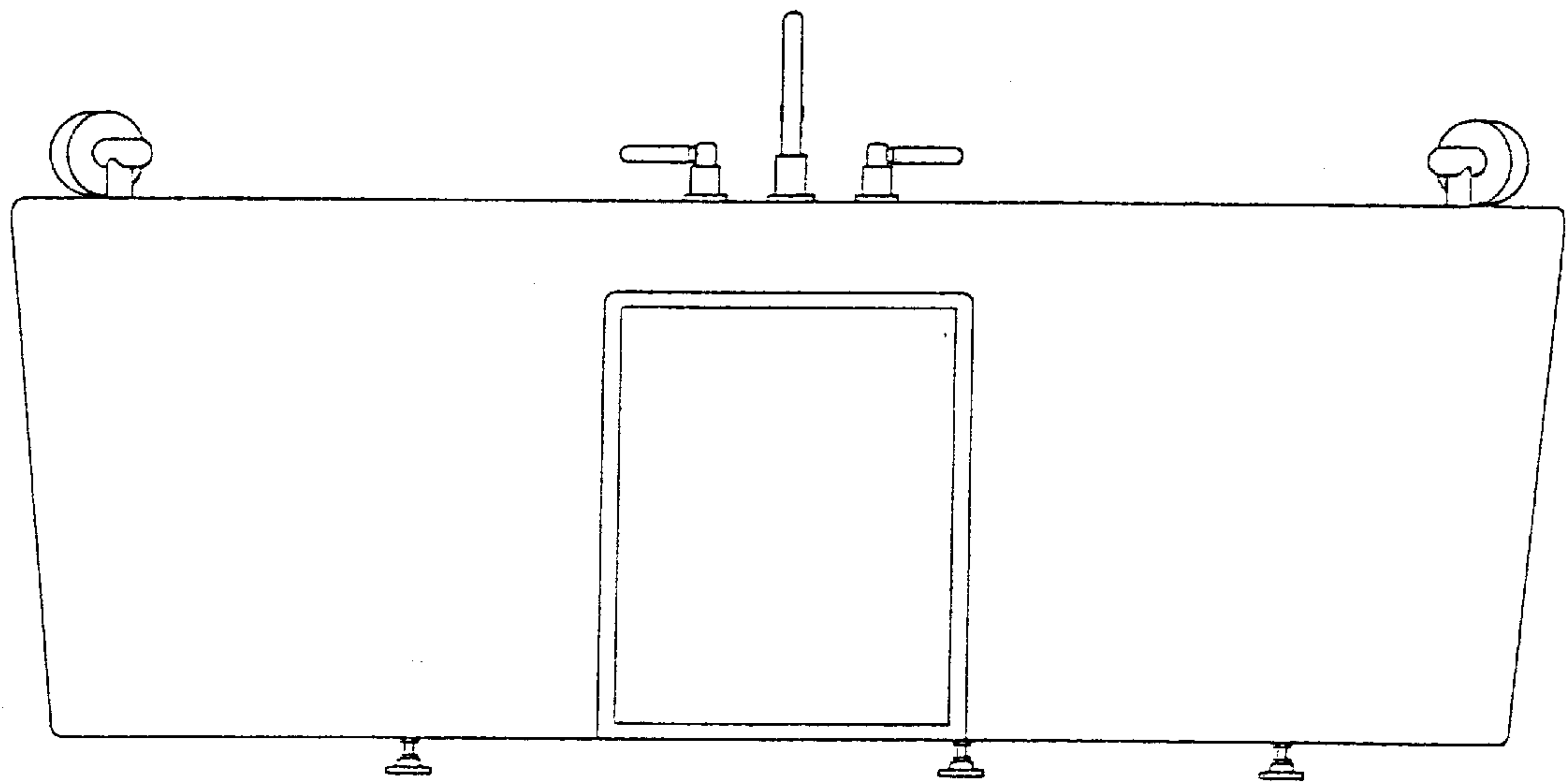


Fig. 2

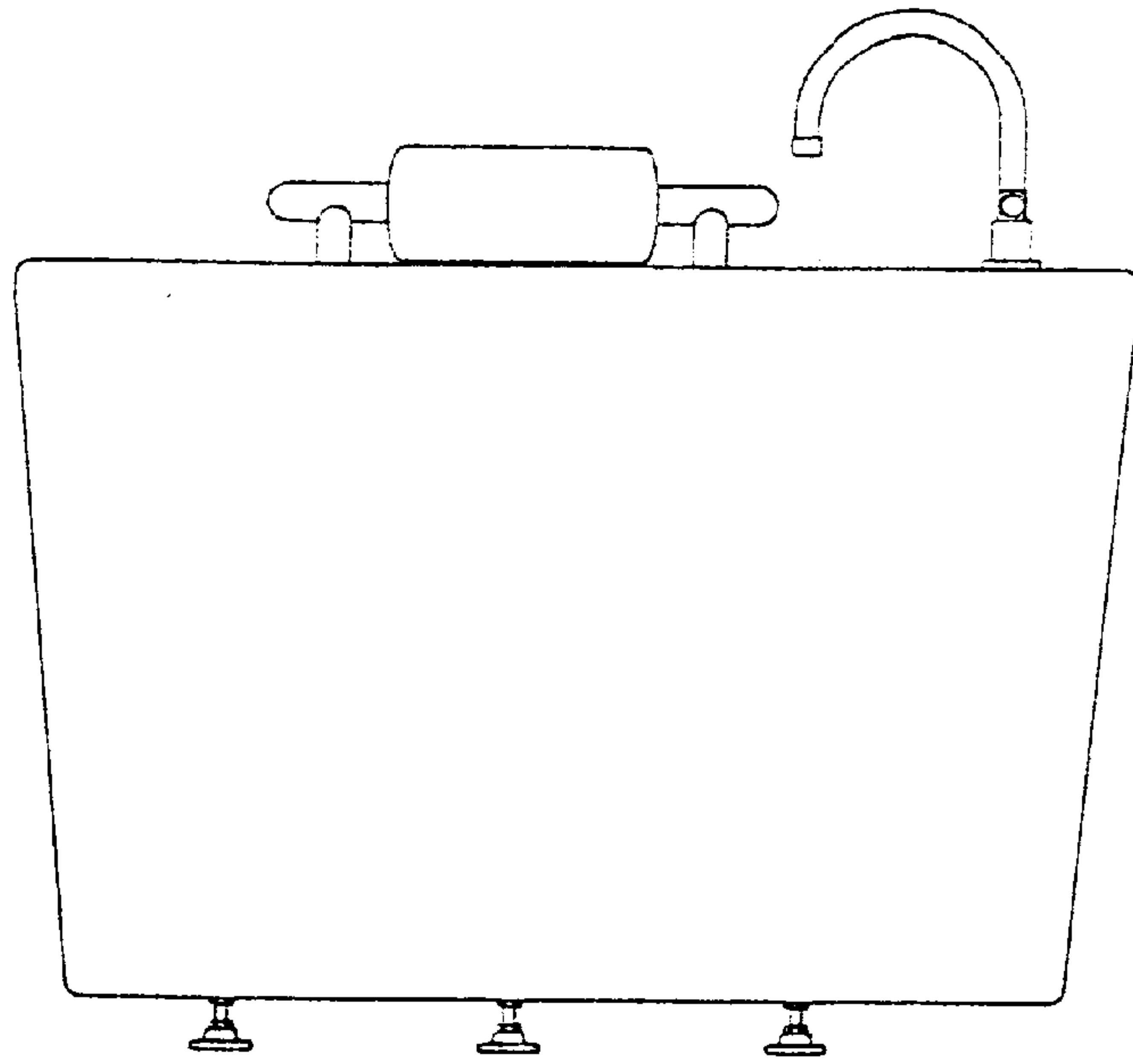


Fig. 3

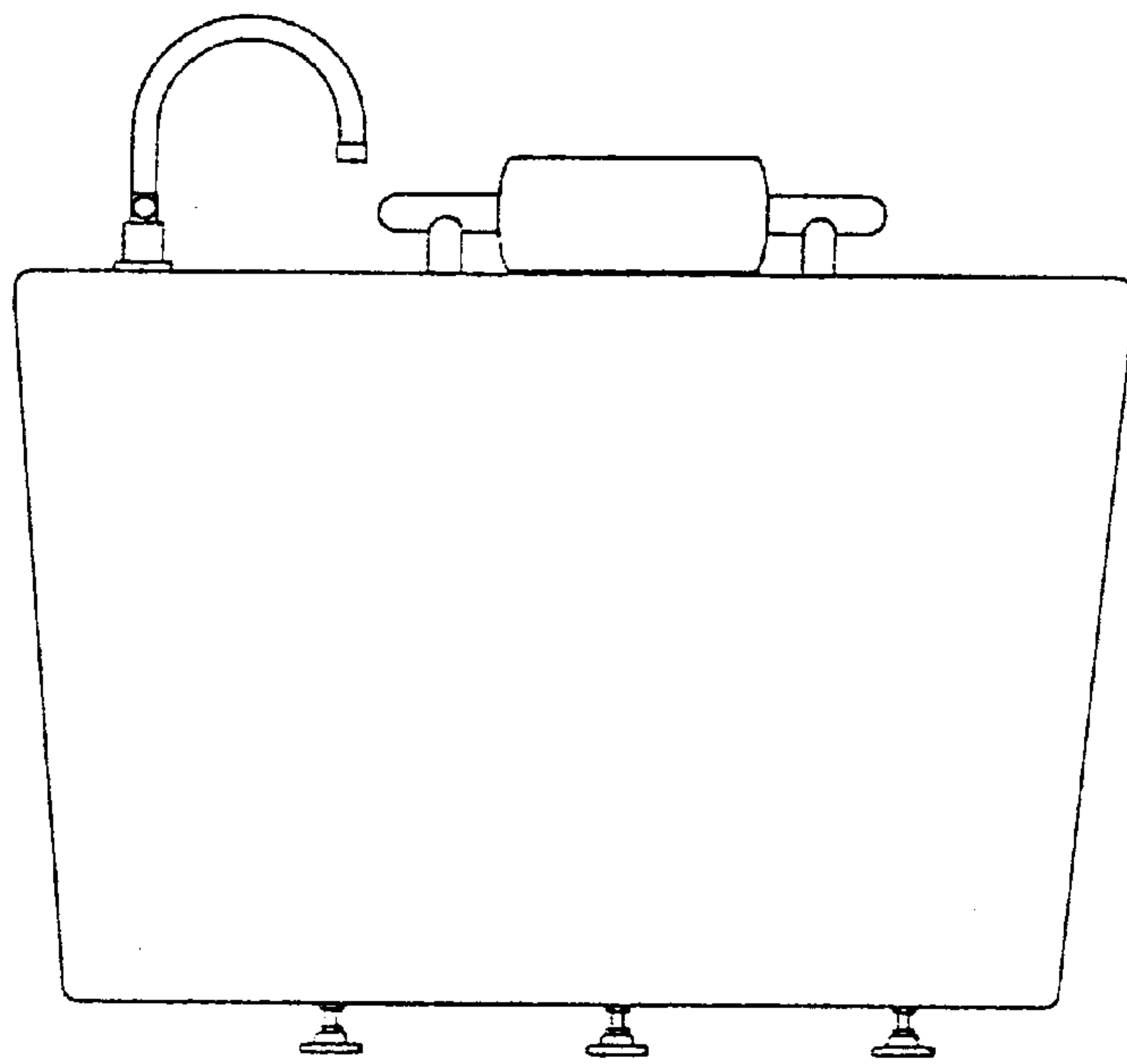


Fig. 4

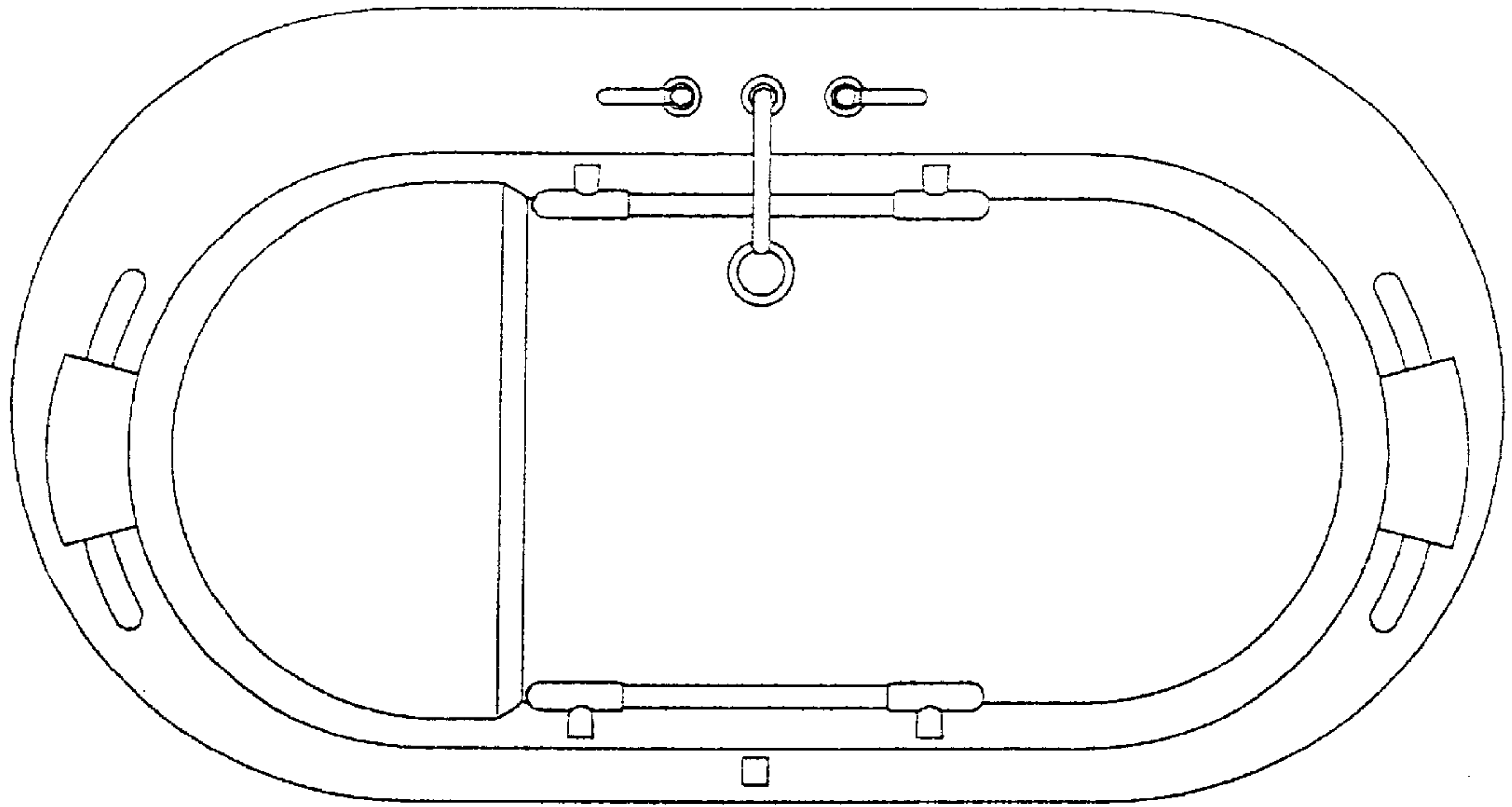


Fig. 5

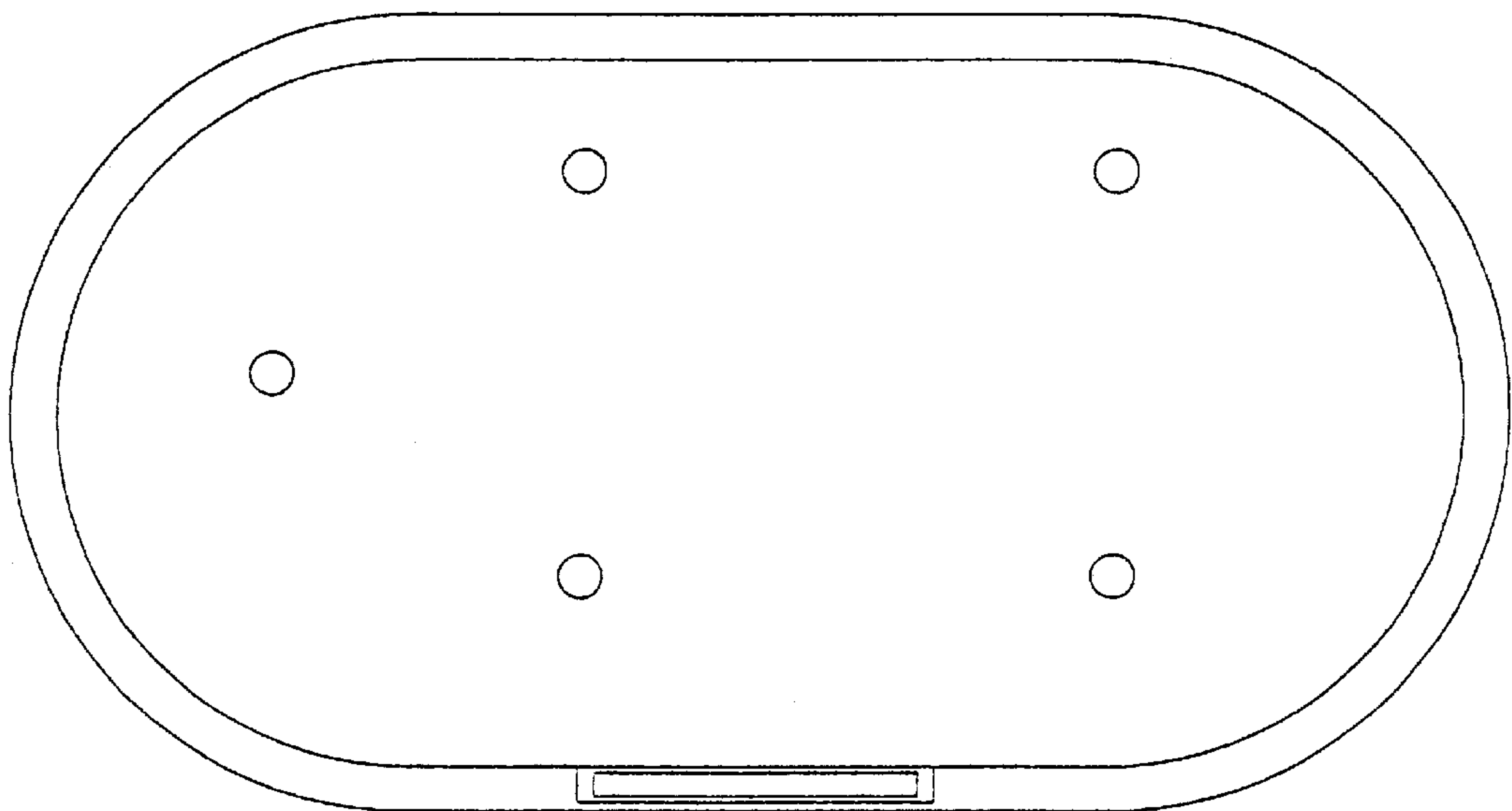
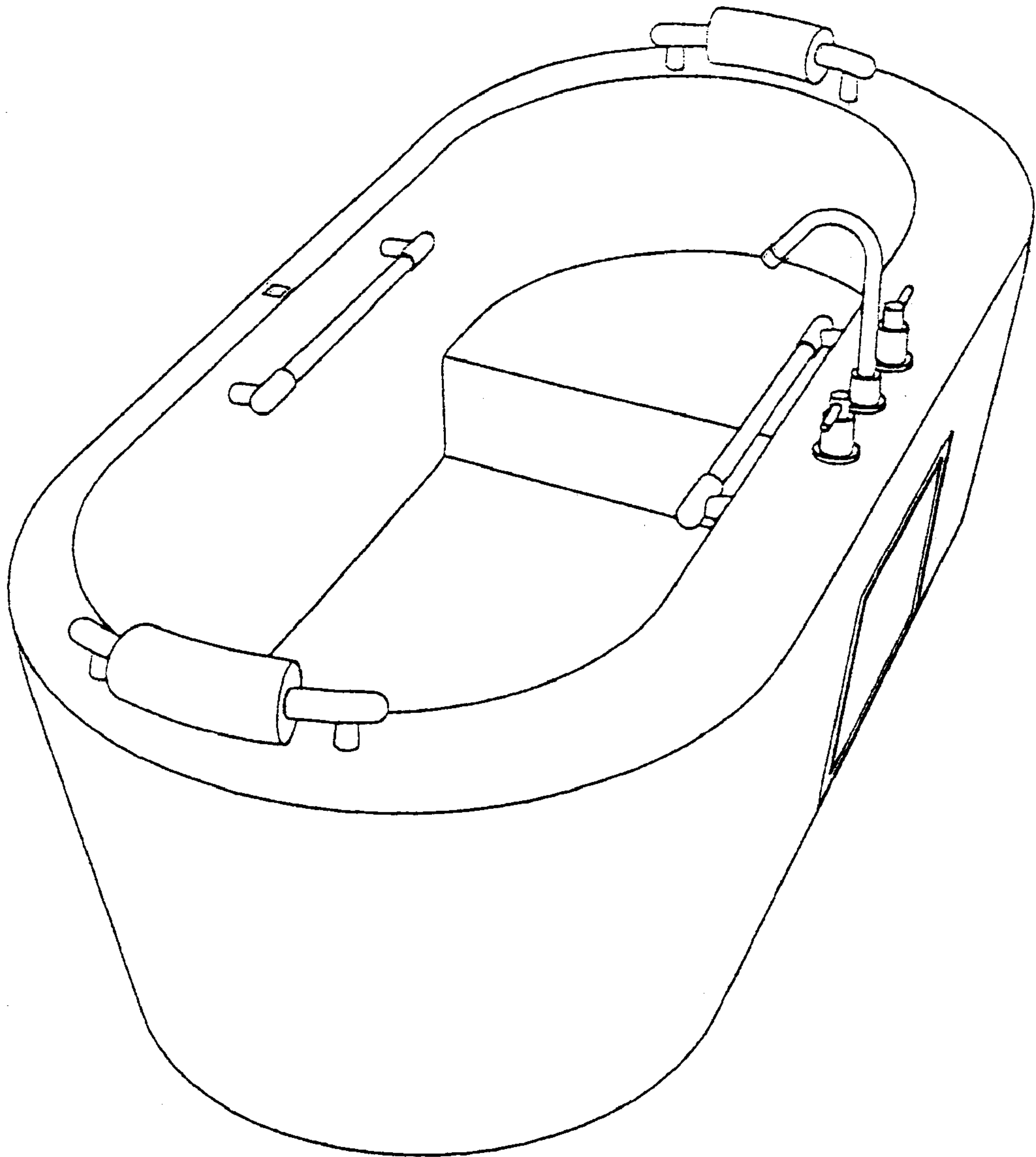


Fig. 6



**Fig. 7**