



US00D489434S

(12) **United States Design Patent**
Horikawa

(10) **Patent No.:** **US D489,434 S**

(45) **Date of Patent:** **** May 4, 2004**

(54) **BRANCH PIPE JOINT**

(75) Inventor: **Go Horikawa, Sanda (JP)**

(73) Assignee: **Waterworks Technology Development Organization Co., Ltd. (JP)**

(**) Term: **14 Years**

(21) Appl. No.: **29/162,473**

(22) Filed: **Jun. 17, 2002**

(51) **LOC (7) Cl.** **23-01**

(52) **U.S. Cl.** **D23/263**

(58) **Field of Search** D23/259, 233,
D23/263, 262; 285/197, 133.11, 133.21

(56) **References Cited**

U.S. PATENT DOCUMENTS

3,527,483	A *	9/1970	Dashner	285/197
3,807,435	A *	4/1974	Fenster et al.	137/317
5,797,423	A *	8/1998	Abbad et al.	137/315.16
5,924,436	A *	7/1999	Kitani et al.	137/15.09

FOREIGN PATENT DOCUMENTS

JP	1039619	5/1999
JP	1044417	7/1999

* cited by examiner

Primary Examiner—Robin V. Taylor

(74) *Attorney, Agent, or Firm*—Webb Ziesenheim Logsdon Orkin & Hanson PC

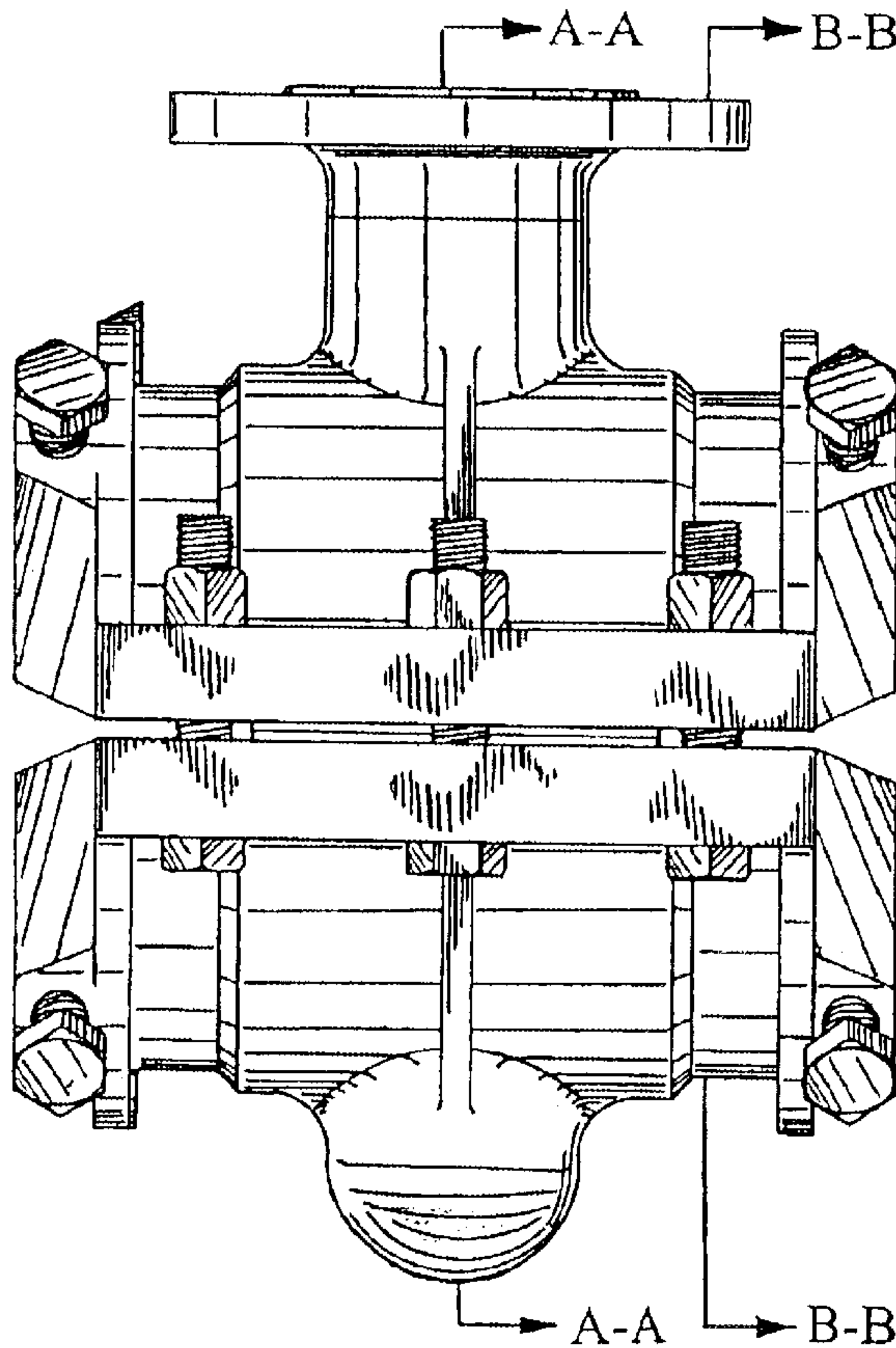
(57) **CLAIM**

The ornamental design of a branch pipe joint, as shown and described.

DESCRIPTION

FIG. 1 is a Front View of my branch pipe joint;
 FIG. 2 is a Rear View thereof;
 FIG. 3 is a Left Side View thereof;
 FIG. 4 is a Right Side View thereof;
 FIG. 5 is a Top Plan View thereof;
 FIG. 6 is a Bottom View thereof;
 FIG. 7 is a Sectional View taken on a line A—A of FIG. 1 thereof;
 FIG. 8 is a Sectional View taken on a line B—B of FIG. 1 thereof;
 FIG. 9 is a Sectional View taken on a line C—C of FIG. 3 thereof; and,
 FIG. 10 is a sectional view like FIG. 7 showing a condition in use with the broken lines being for illustrative purposes only and forming no part of the claimed design.

1 Claim, 5 Drawing Sheets



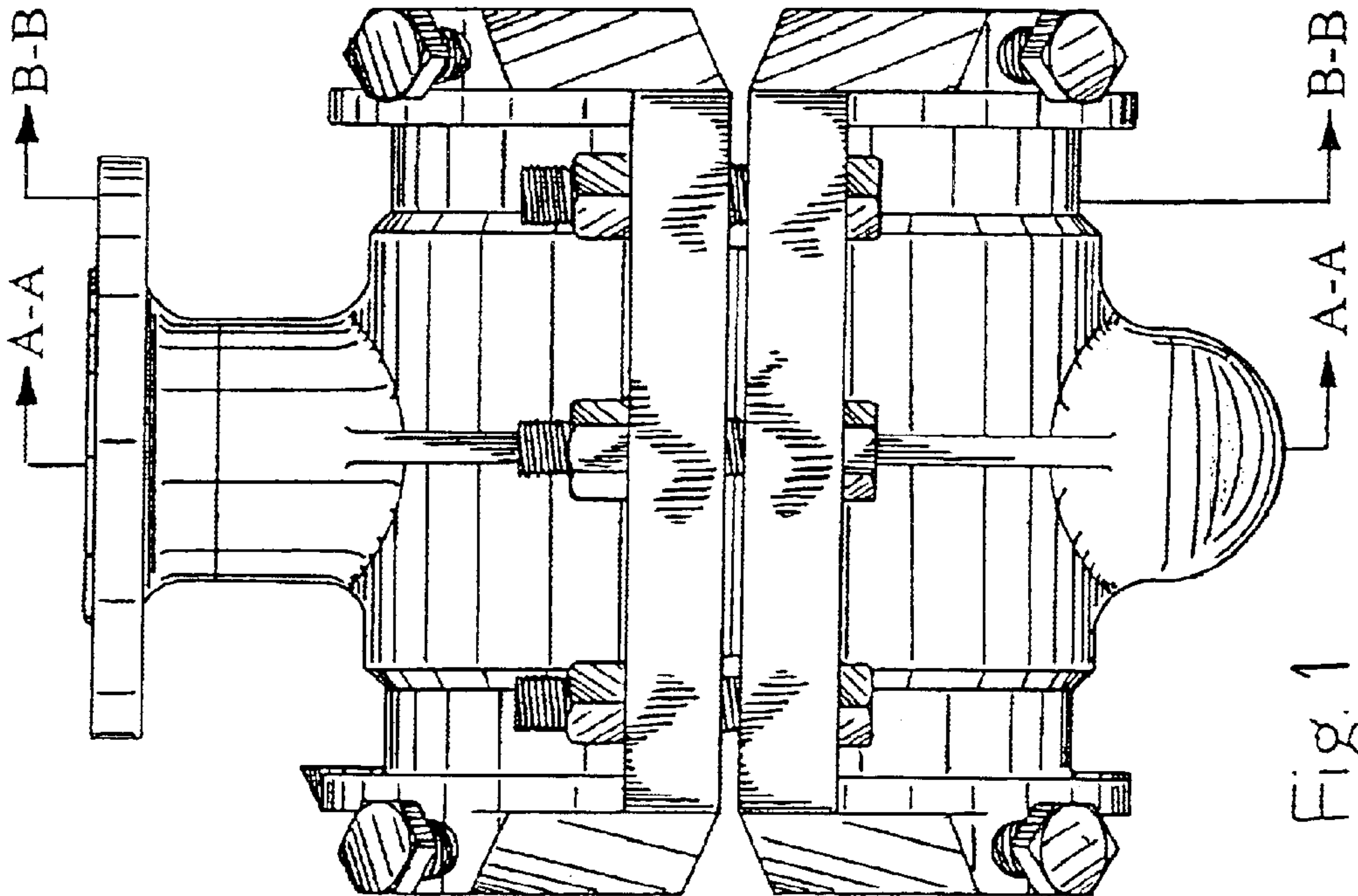


Fig. 1

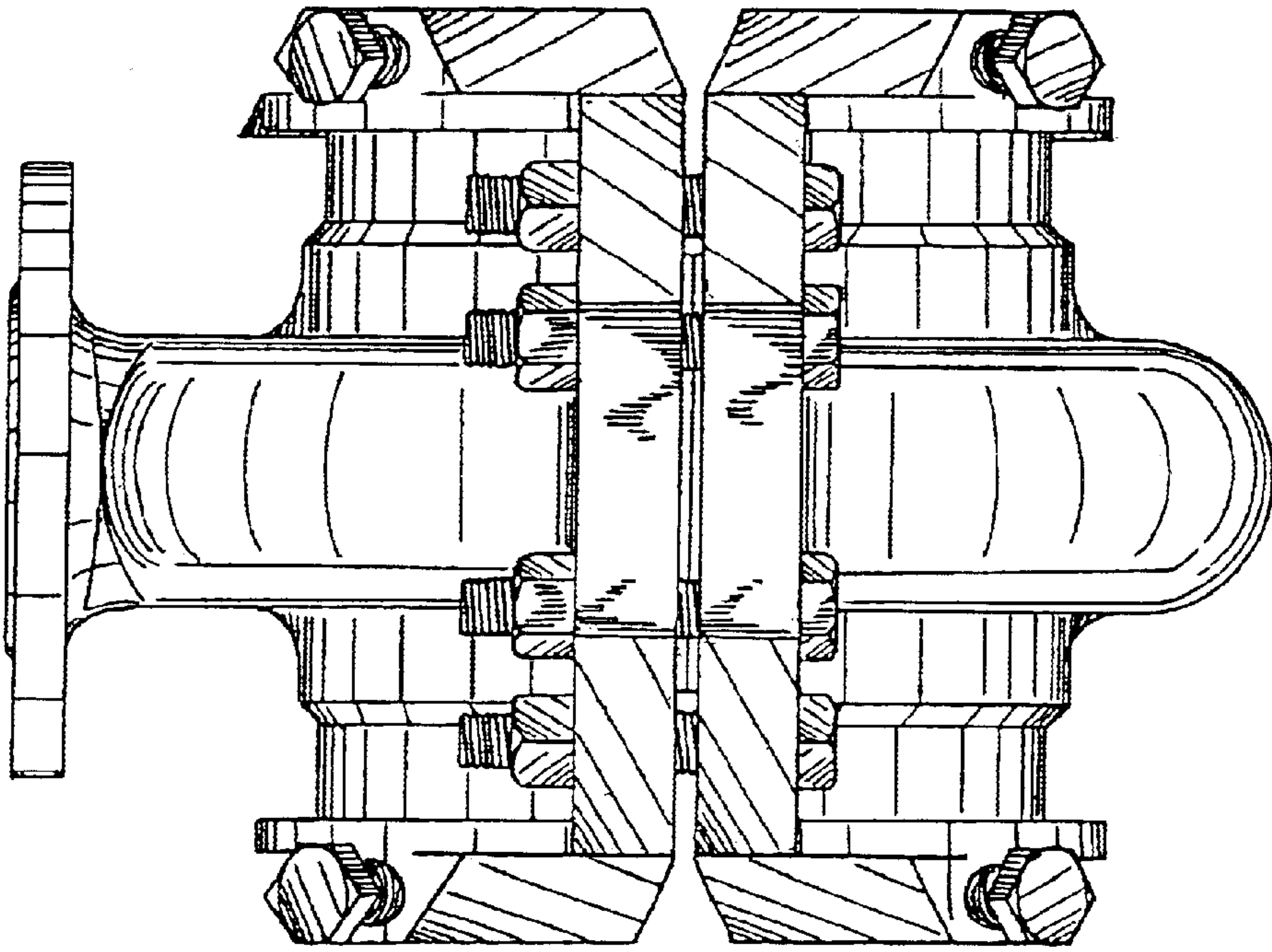


Fig. 2

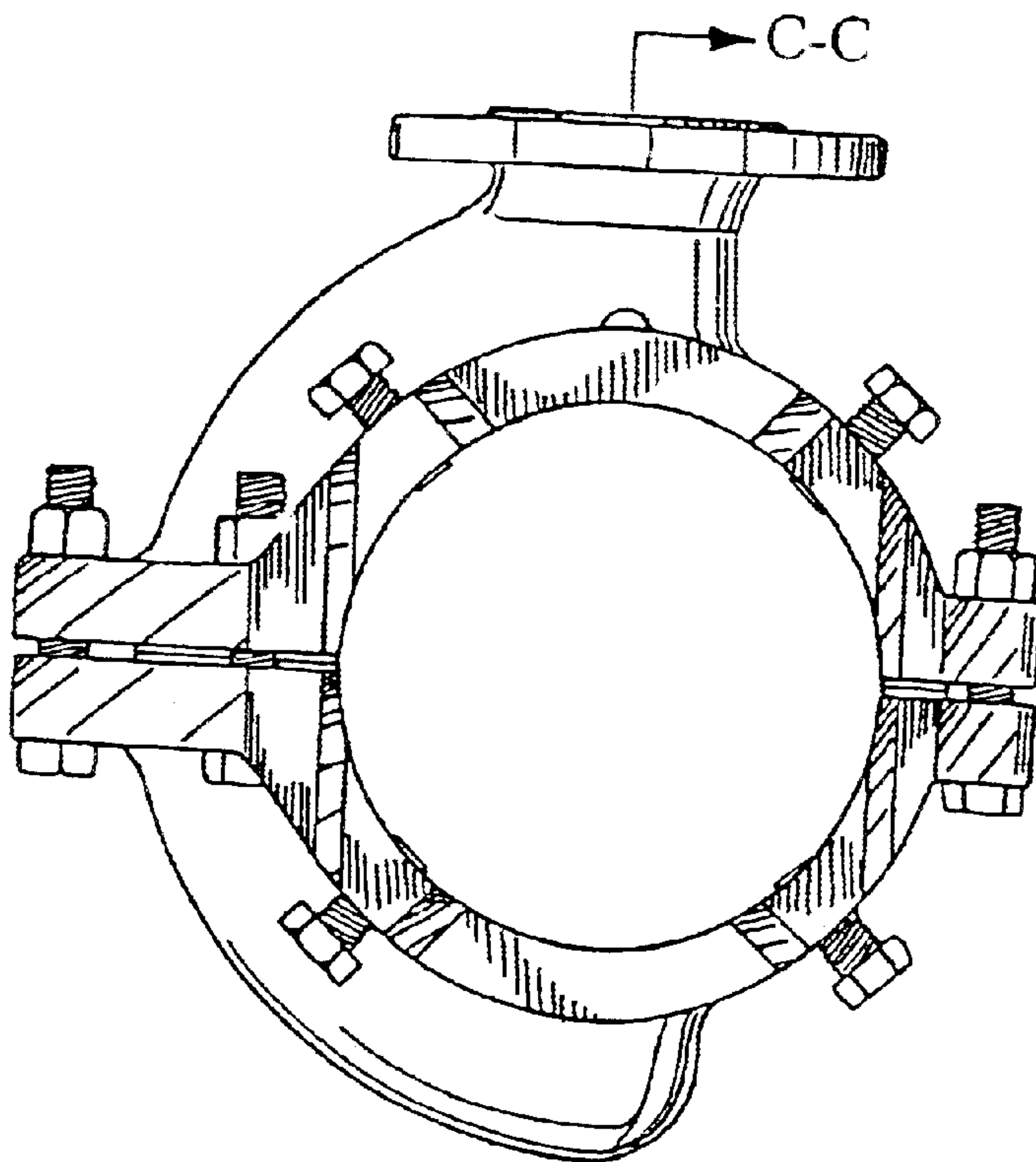


Fig. 3

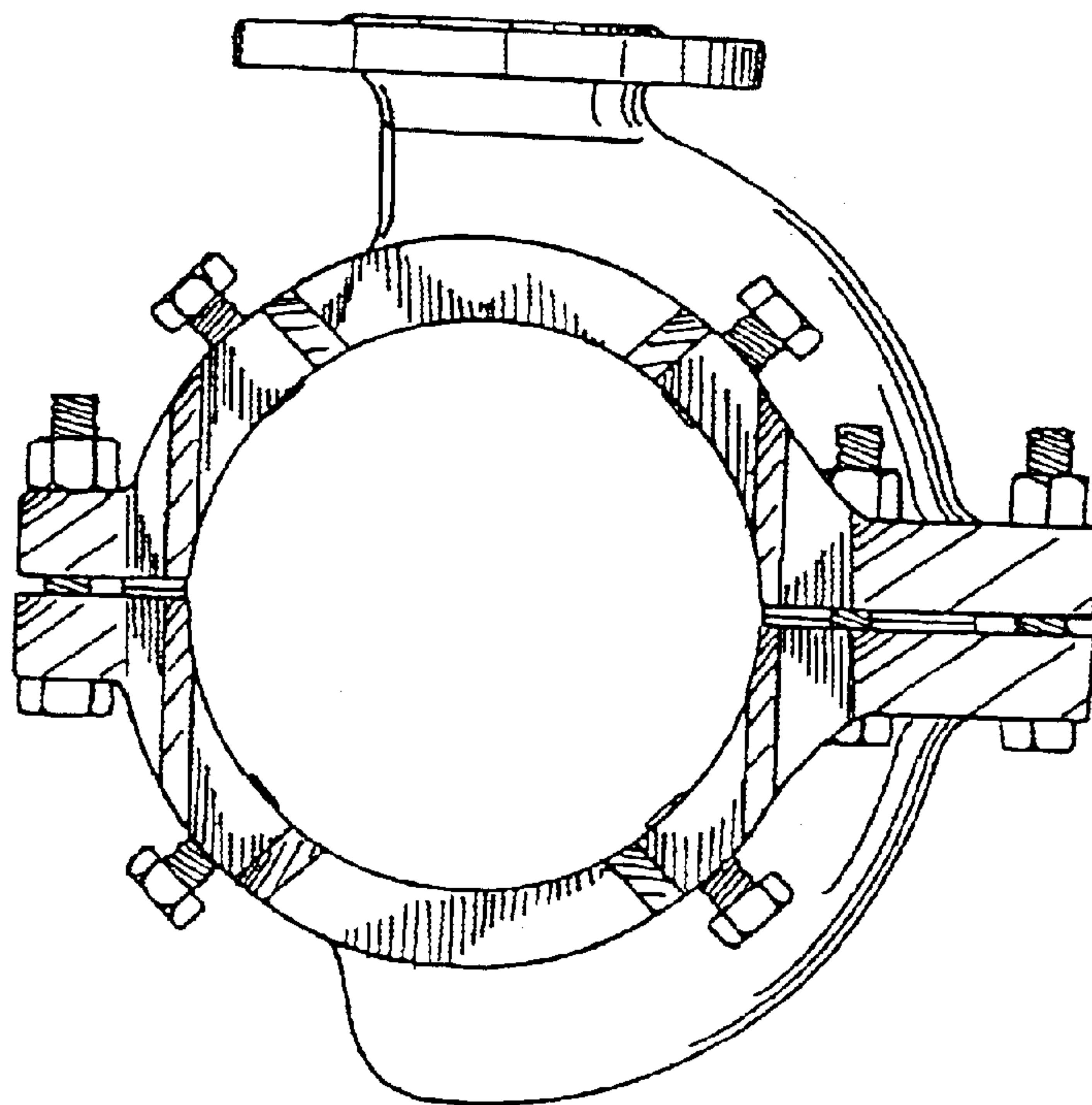


Fig. 4

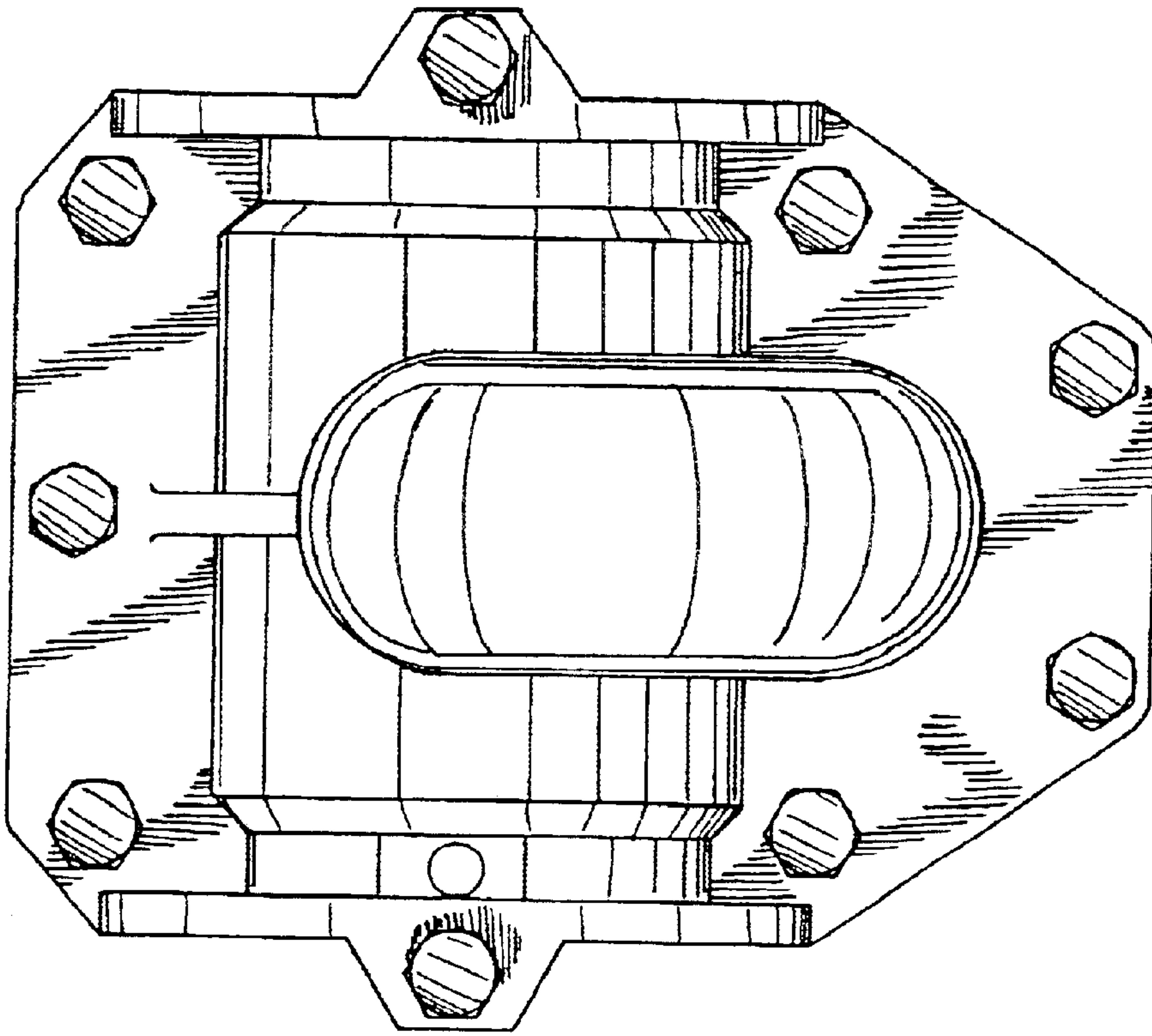


Fig. 6

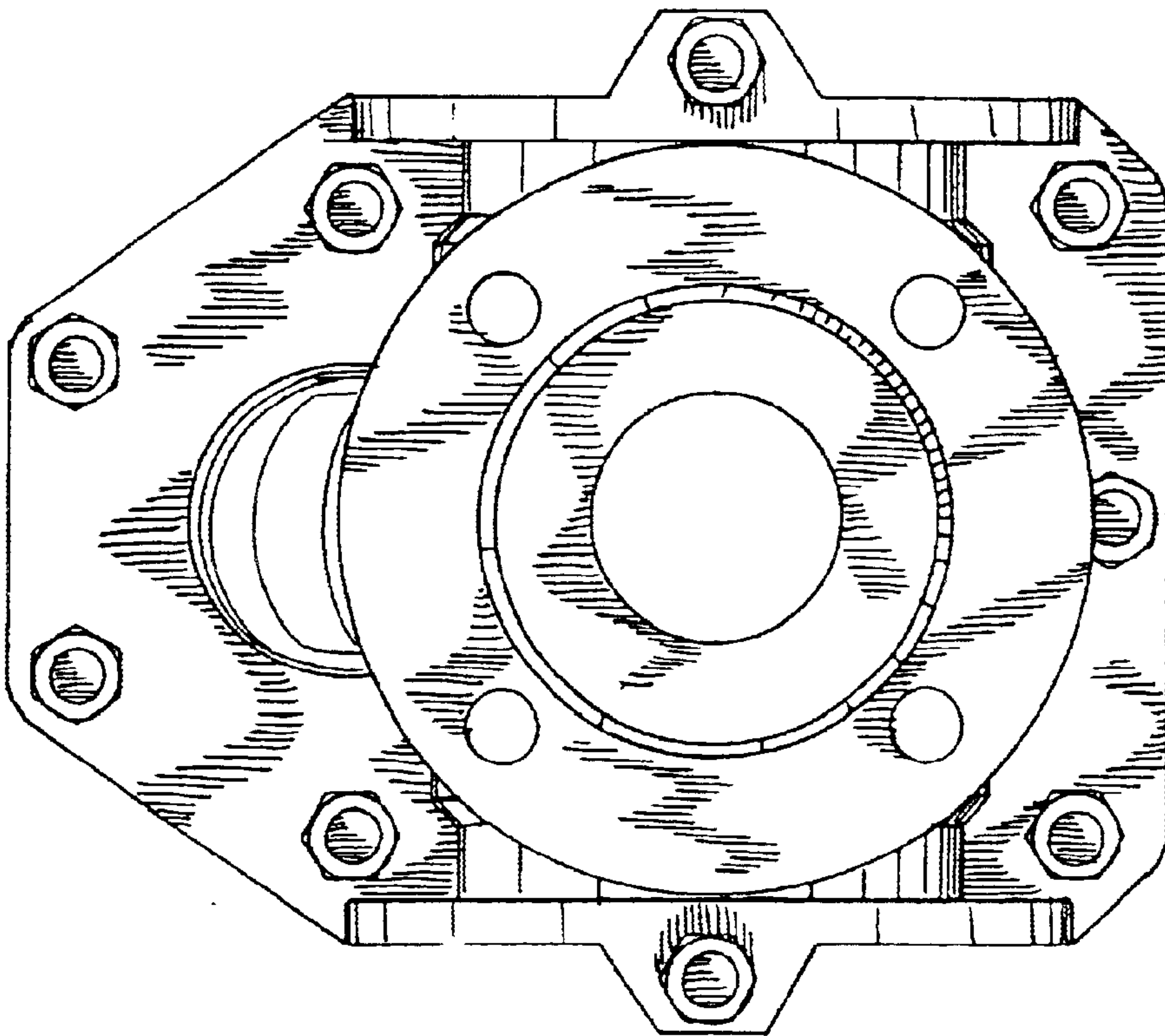


Fig. 5

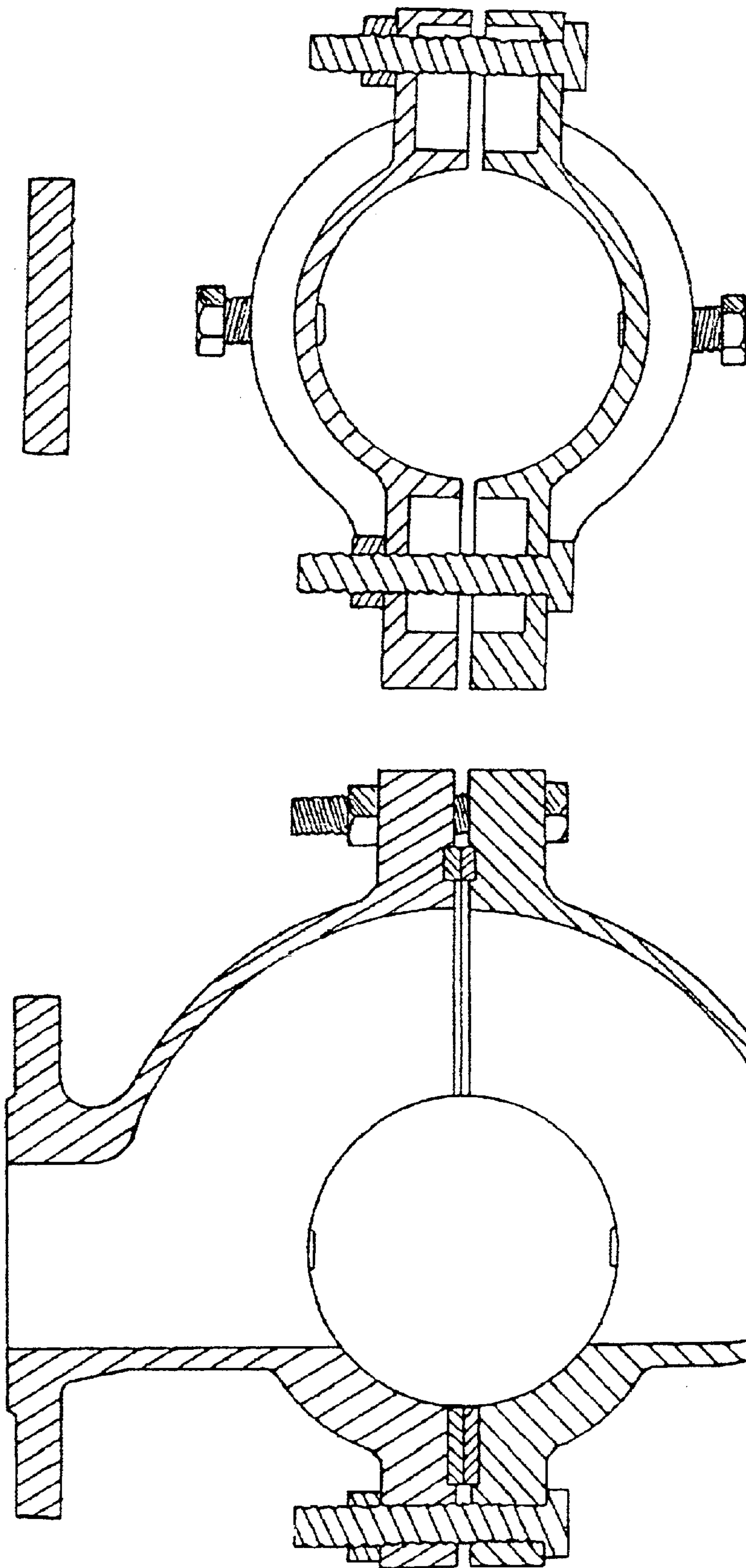


Fig. 8

Fig. 7

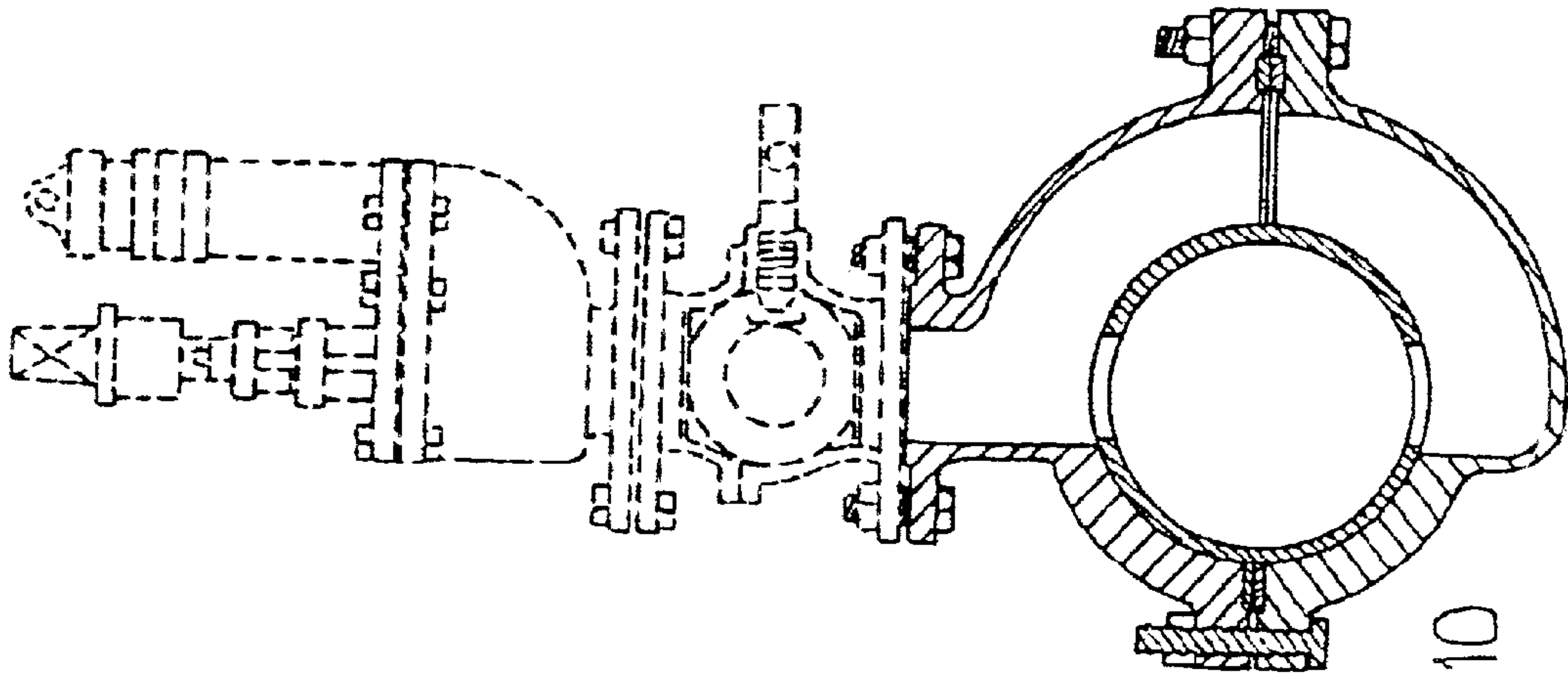


Fig. 10

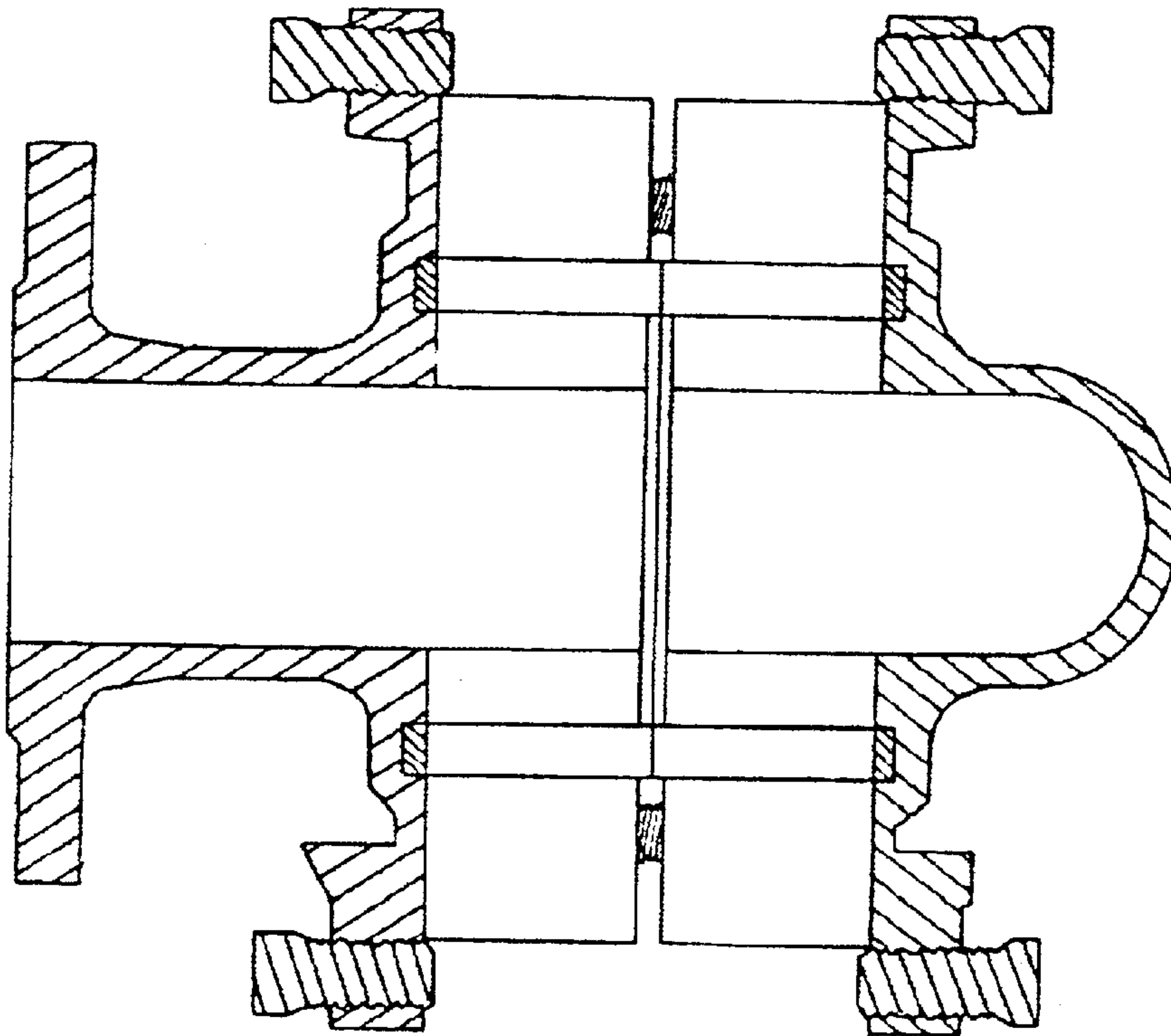


Fig. 9