



US00D489433S

(12) **United States Design Patent**
Chang

(10) **Patent No.:** **US D489,433 S**

(45) **Date of Patent:** **** May 4, 2004**

(54) **HOT/COLD WATER MIXING FAUCET**

D460,156 S * 7/2002 Kemp D23/243
D465,830 S * 11/2002 Chang D23/242

(75) Inventor: **Cheng-Lang Chang**, Taichung (TW)

* cited by examiner

(73) Assignee: **Jing Yudh Industrial Co., Ltd.**,
Taichung (TW)

Primary Examiner—Ian Simmons

Assistant Examiner—Gregory Andoll

(**) Term: **14 Years**

(74) *Attorney, Agent, or Firm*—Troxell Law Office PLLC

(21) Appl. No.: **29/179,227**

(57) **CLAIM**

(22) Filed: **Apr. 8, 2003**

The ornamental design for the “hot/cold water mixing faucet”, as shown and described.

(51) **LOC (7) Cl.** **23-01**

DESCRIPTION

(52) **U.S. Cl.** **D23/241**

(58) **Field of Search** D23/233–243,
D23/250–257; 4/675–678; 137/801

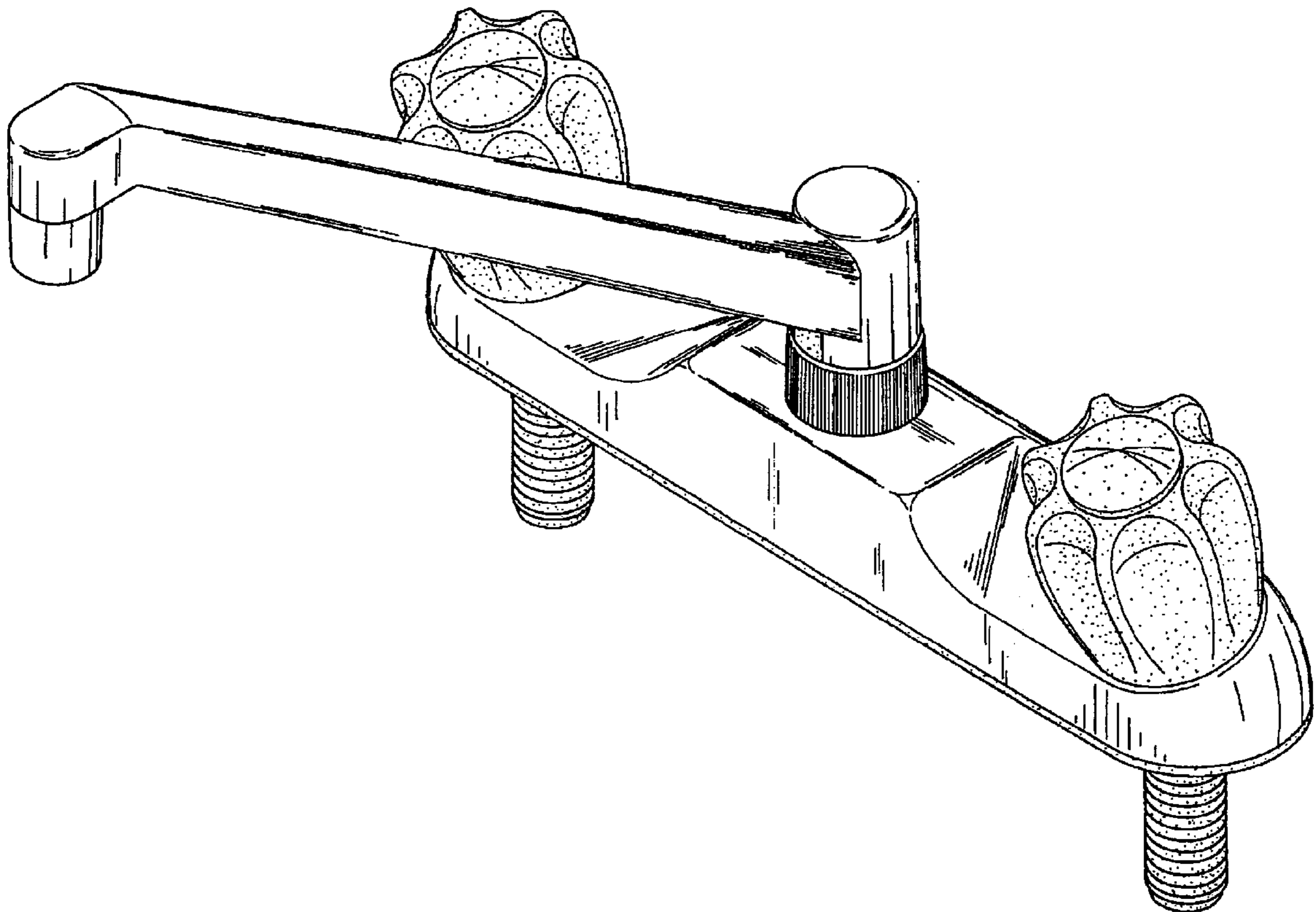
FIG. 1 is a perspective view of a hot/cold water mixing faucet showing my new design;
FIG. 2 is a front view thereof;
FIG. 3 is a rear view thereof;
FIG. 4 is a right and left side view thereof; and,
FIG. 5 is a top view.

(56) **References Cited**

U.S. PATENT DOCUMENTS

D375,147 S * 10/1996 Doughty et al. D23/243
D381,402 S * 7/1997 Doughty et al. D23/241
D445,484 S * 7/2001 Wen D23/243

1 Claim, 5 Drawing Sheets



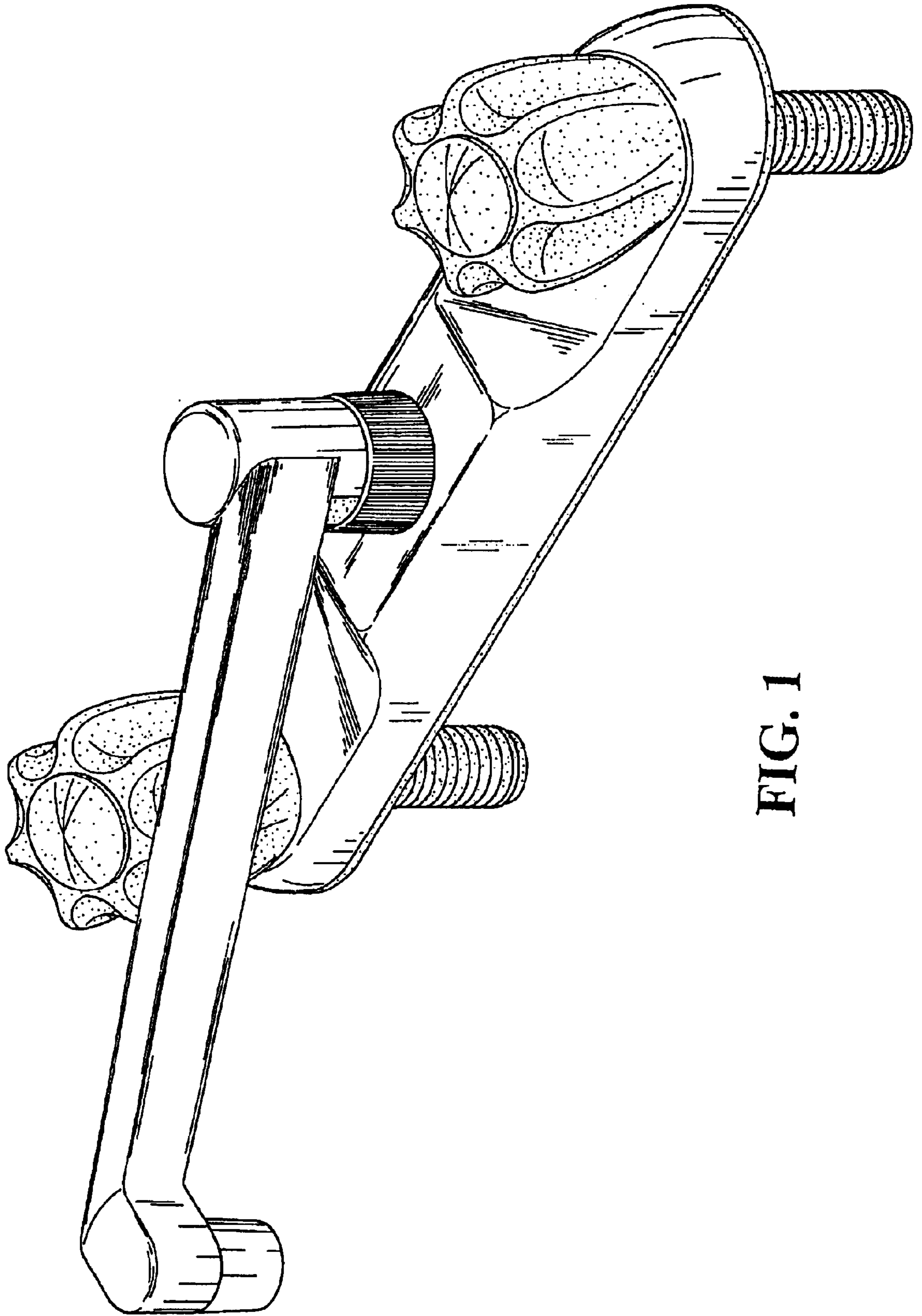


FIG. 1

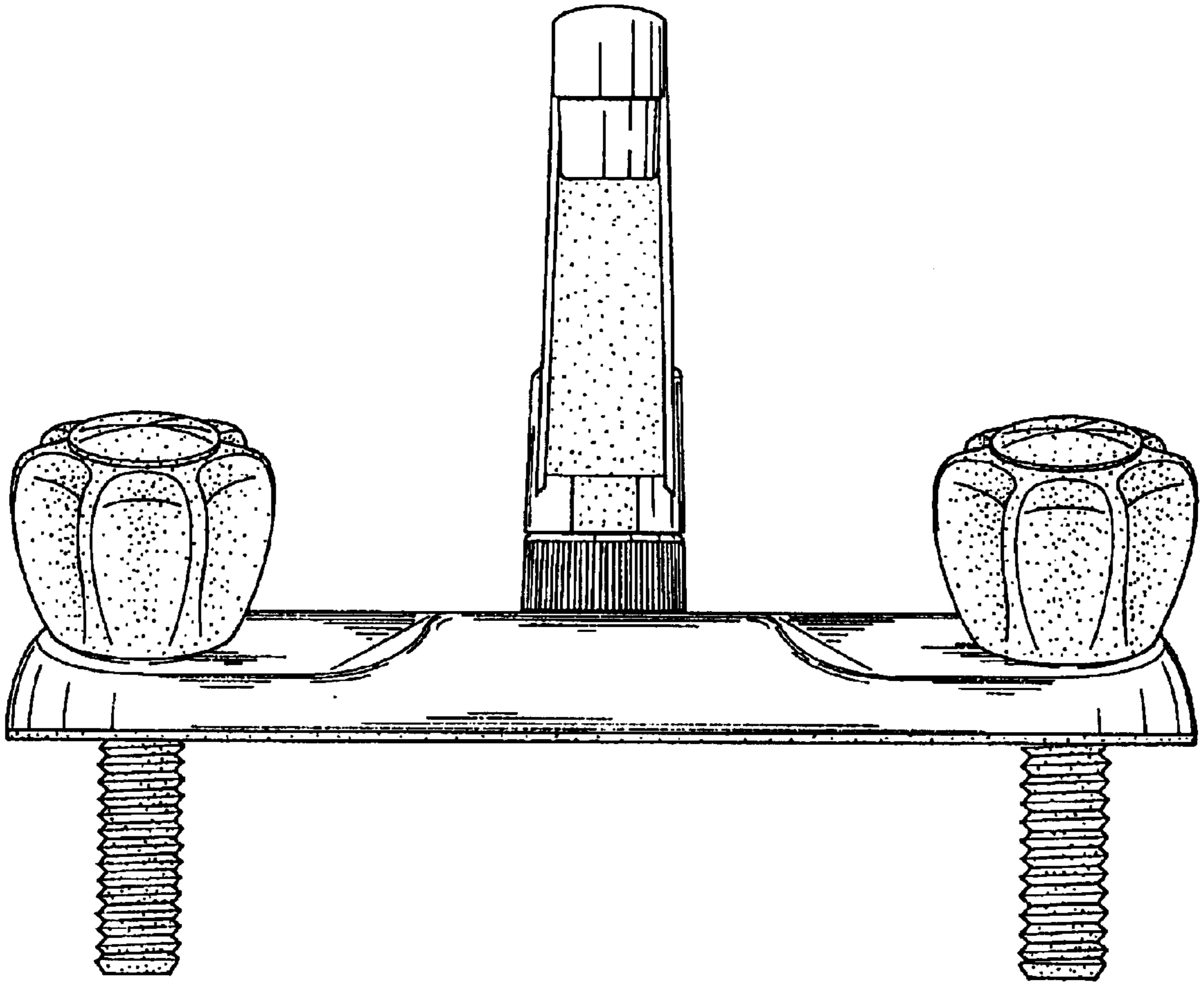


FIG. 2

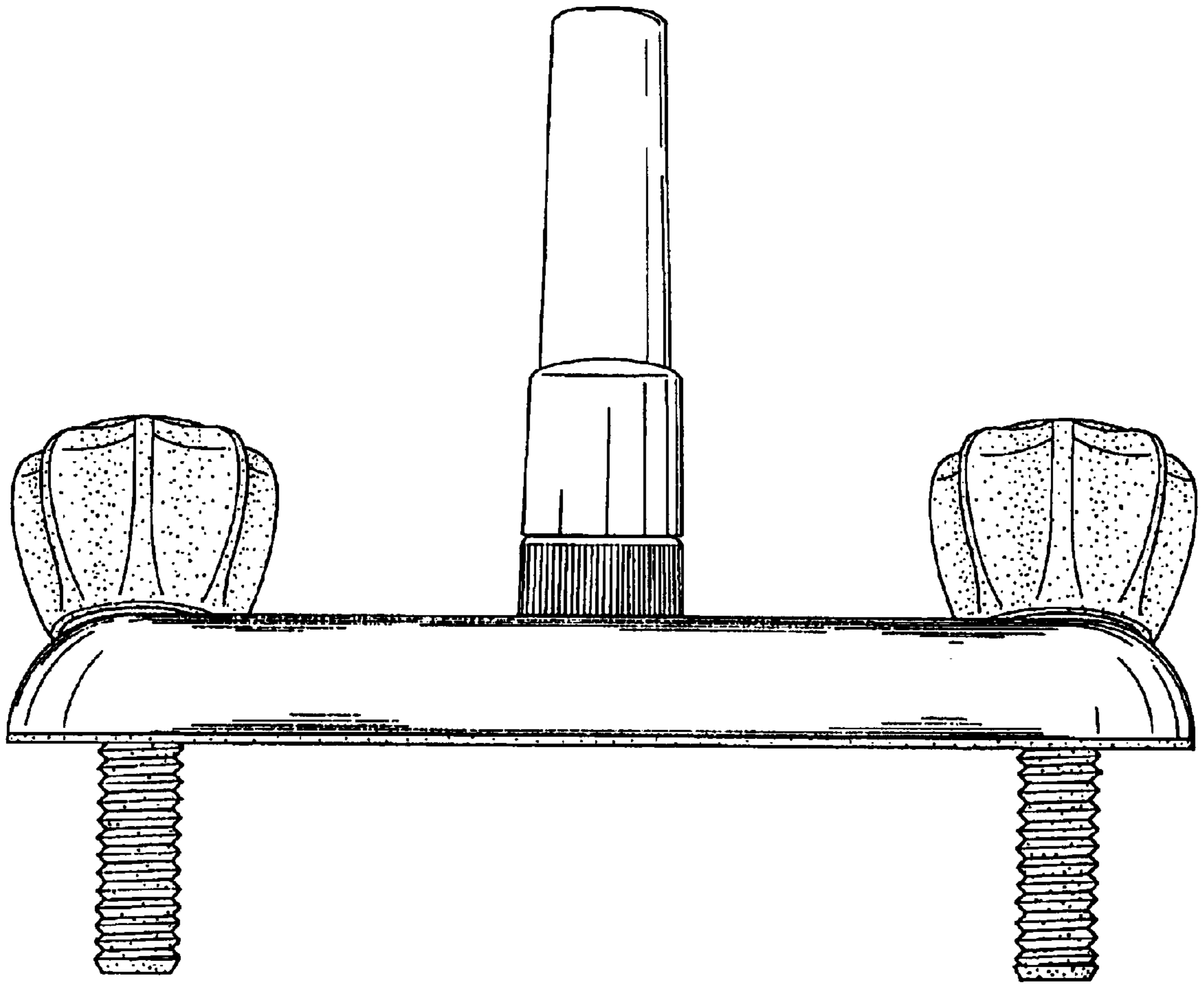


FIG. 3

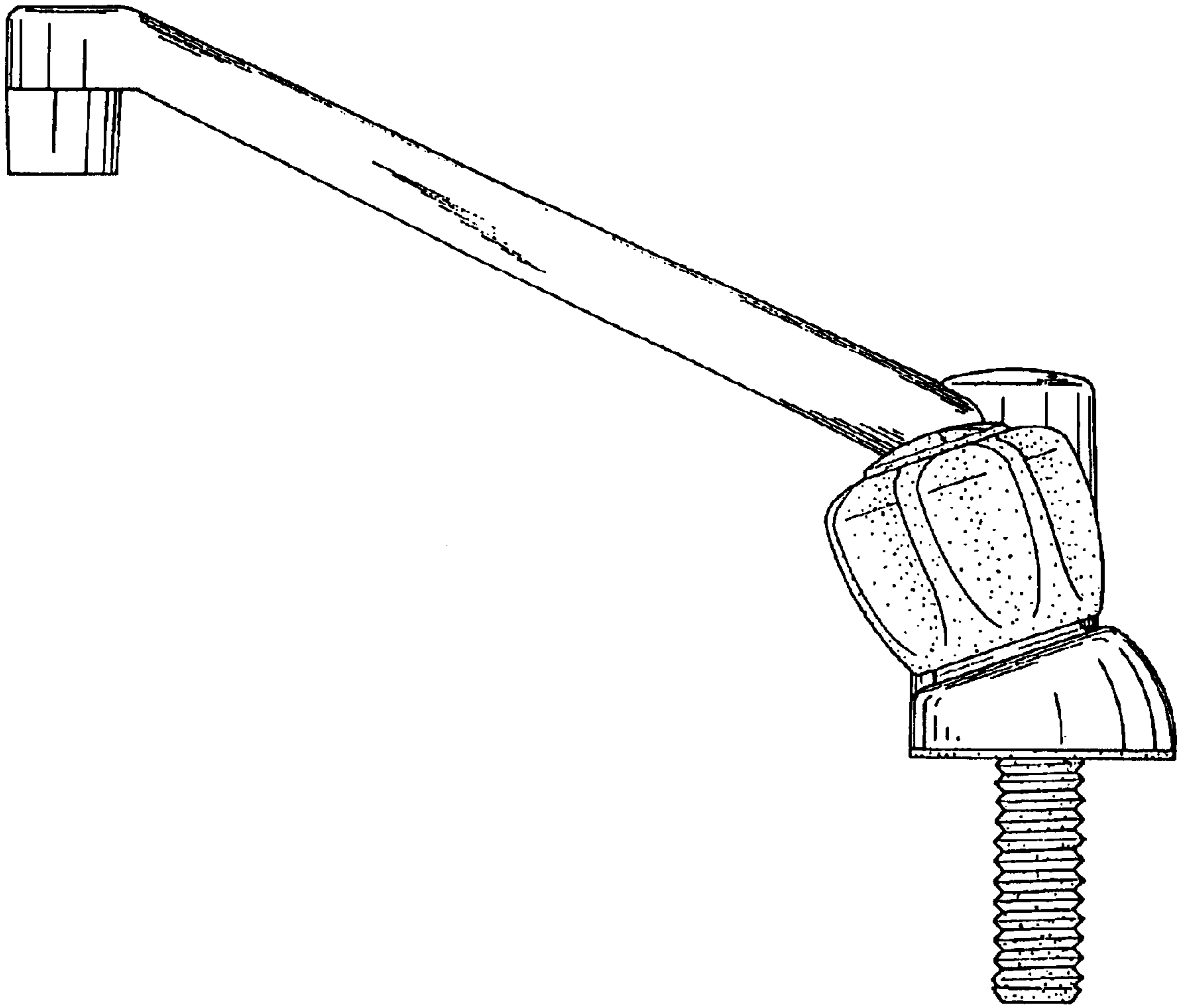


FIG. 4

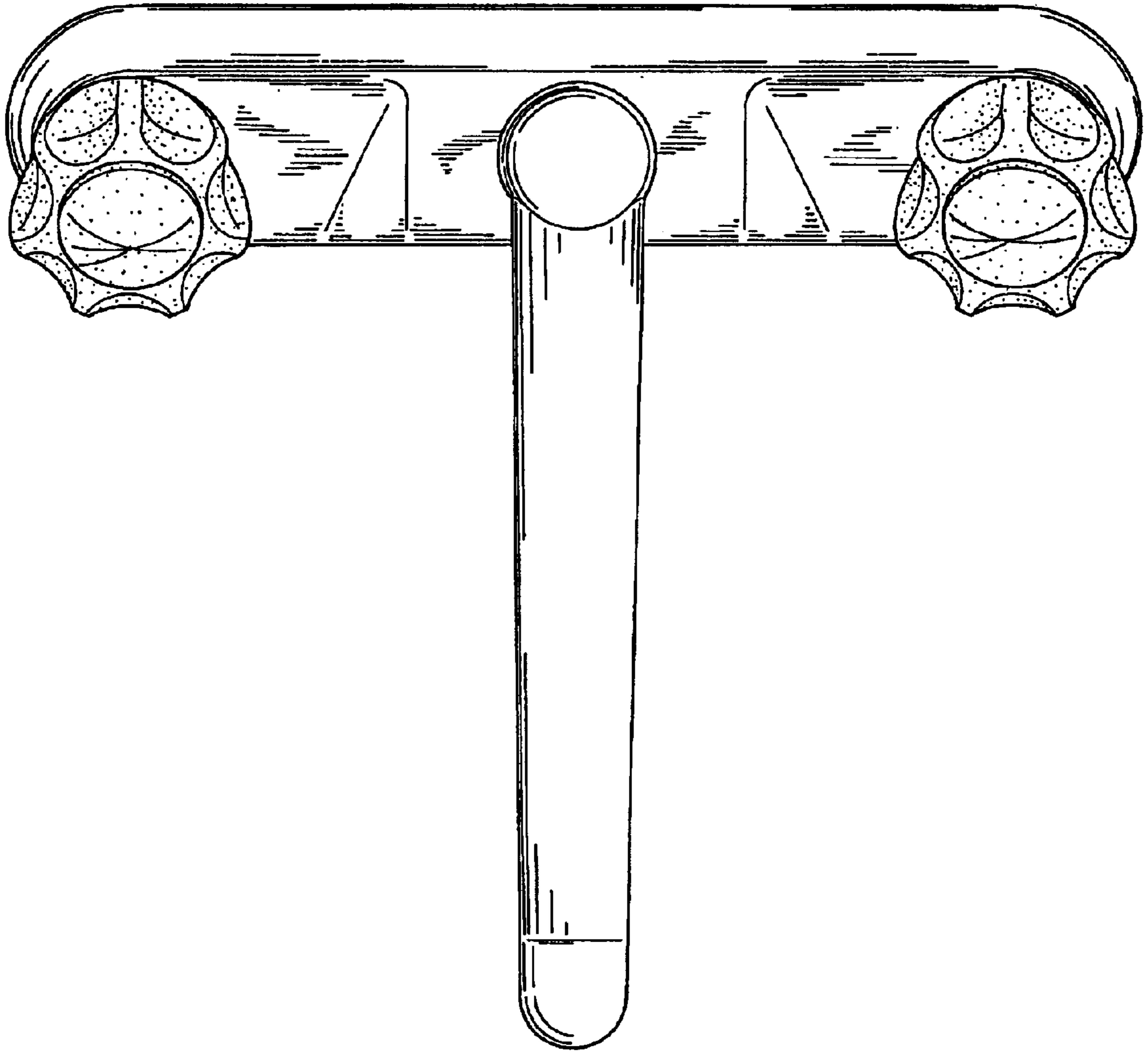


FIG. 5