



US00D489432S

(12) **United States Design Patent**
Lammel et al.

(10) **Patent No.:** **US D489,432 S**

(45) **Date of Patent:** **** May 4, 2004**

(54) **FAUCET**

D479,739 S * 9/2003 Citterio D23/238

(75) Inventors: **Michael Lammel**, Aachen (DE);
Michael Zeisel, Aachen (DE)

* cited by examiner

(73) Assignee: **KWC AG**, Unterkulm (CH)

Primary Examiner—Louis S. Zarfes

(**) Term: **14 Years**

Assistant Examiner—Gregory Andoll

(21) Appl. No.: **29/170,997**

(74) *Attorney, Agent, or Firm*—Oblon, Spivak, McClelland,
Maier & Neustadt, P.C.

(22) Filed: **Nov. 15, 2002**

(57) **CLAIM**

(30) **Foreign Application Priority Data**

The ornamental design for a faucet, as shown and described.

May 17, 2002 (WO) DMA/005 725

DESCRIPTION

(51) **LOC (7) Cl.** **23-01**

FIG. 1 is a top and right front perspective view of a faucet,
showing our design;

(52) **U.S. Cl.** **D23/238; D23/255**

FIG. 2 is a right side elevational view thereof;

(58) **Field of Search** D23/238–243,
D23/250–257; 4/675–678; 137/801

FIG. 3 is a top and rear view thereof; and,

FIG. 4 is a front elevational view thereof.

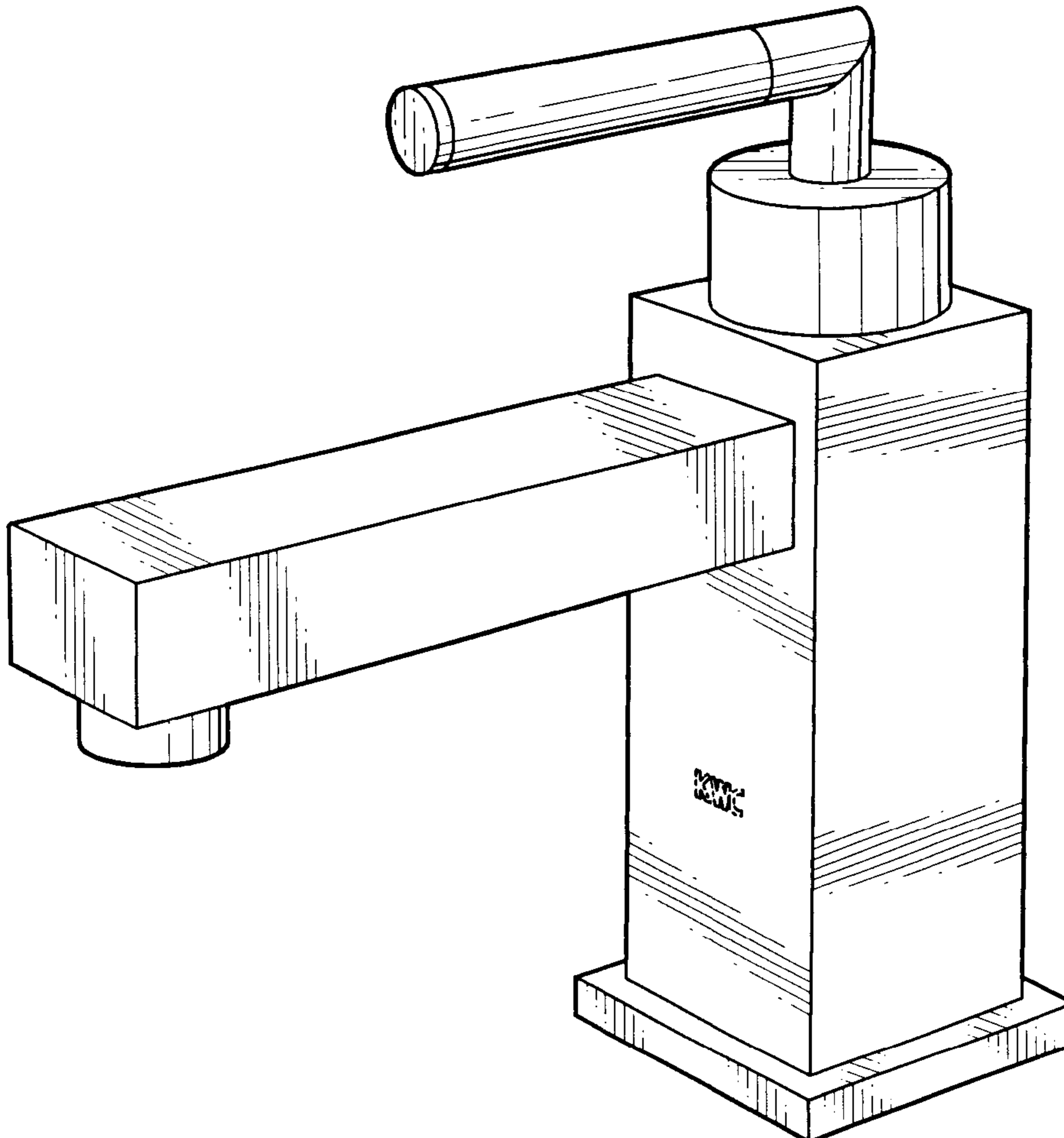
(56) **References Cited**

The broken lines in the figures are for illustrative purposes
only and form no part of the claimed design.

U.S. PATENT DOCUMENTS

D478,966 S * 8/2003 Citterio D23/238

1 Claim, 2 Drawing Sheets



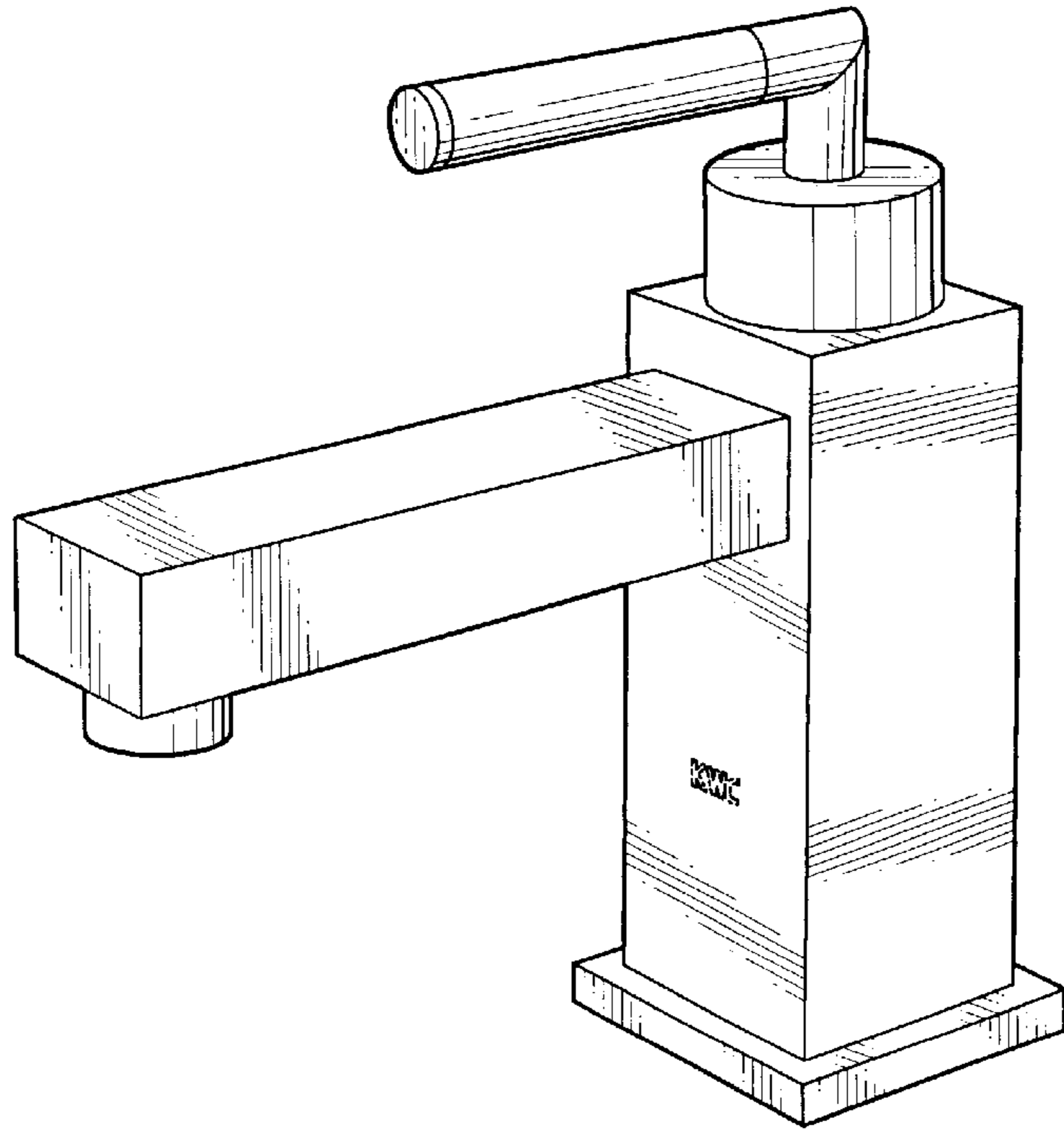


FIG. 1

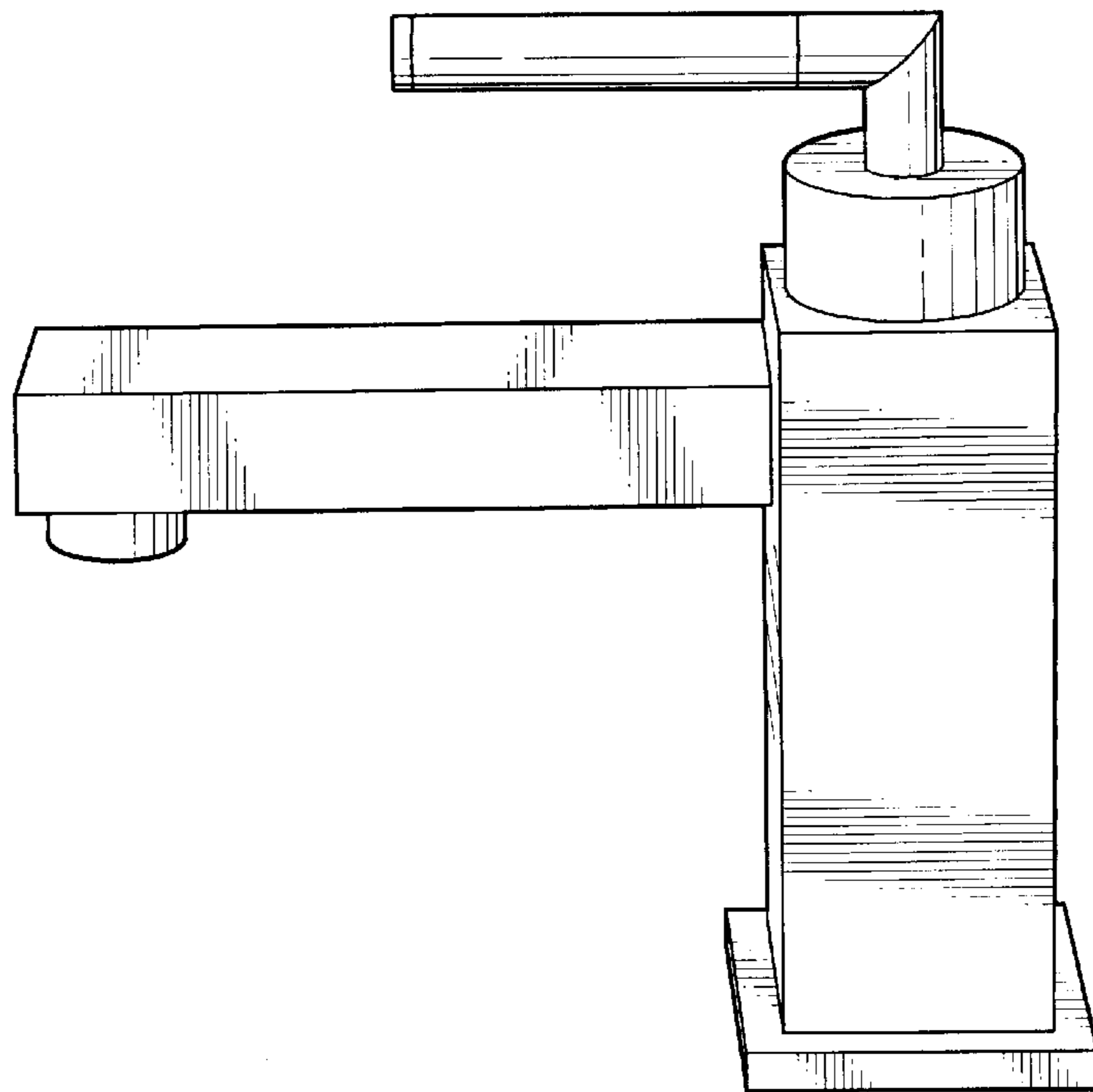


FIG. 2

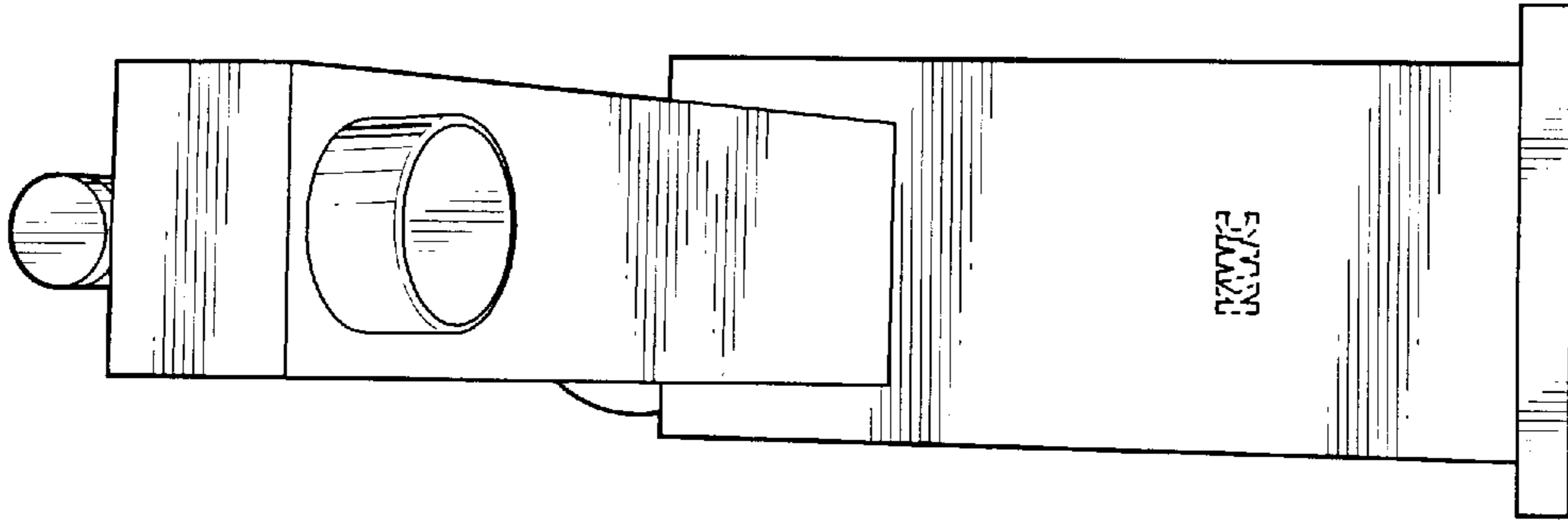


FIG. 4

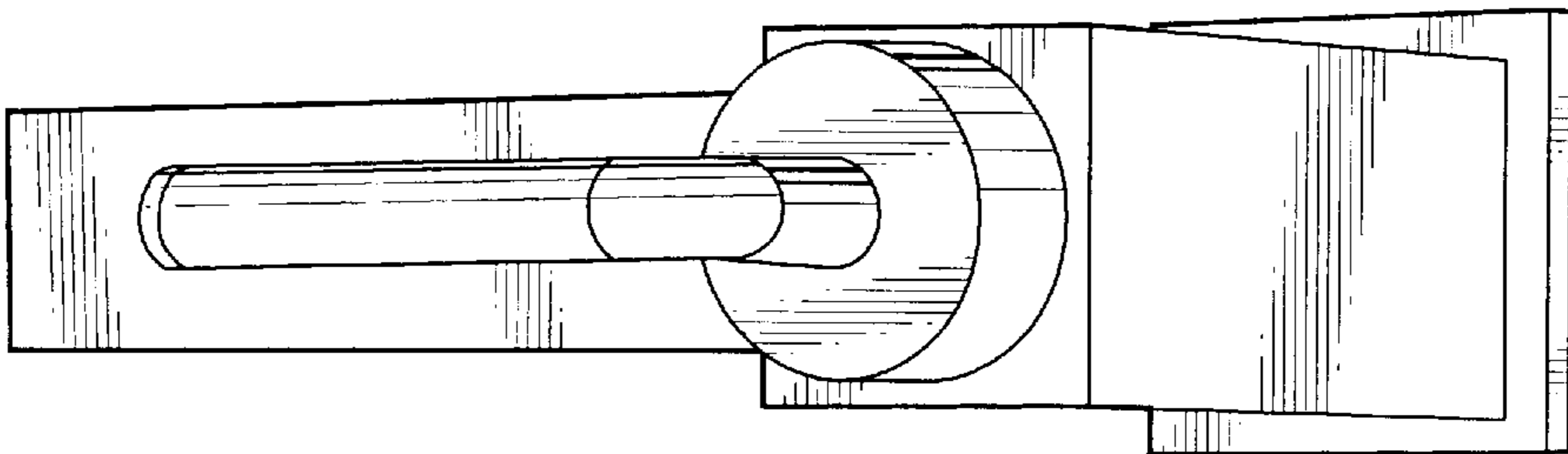


FIG. 3