



US00D489428S

(12) **United States Design Patent**
McManus et al.

(10) **Patent No.:** **US D489,428 S**

(45) **Date of Patent:** **** May 4, 2004**

(54) **BAIT DISPENSER**

(75) Inventors: **Robert E. McManus**, Venice, FL (US);
Kenneth J. Kupfer, Nokomis, FL (US)

(73) Assignee: **KM Partners LLC**, Venice, FL (US)

(**) Term: **14 Years**

(21) Appl. No.: **29/168,357**

(22) Filed: **Oct. 1, 2002**

(51) **LOC (7) Cl.** **22-05**

(52) **U.S. Cl.** **D22/134**

(58) **Field of Search** D22/134, 136,
D22/199; 43/54.1, 55, 56

(56) **References Cited**

U.S. PATENT DOCUMENTS

1,139,030 A	5/1915	Goldhammer	43/131
1,994,859 A	3/1935	Langum	43/131
2,725,665 A	12/1955	Mullen et al.	43/131
2,750,707 A	6/1956	Ekstedt	43/131
3,122,857 A	3/1964	Yates	43/131
4,047,320 A *	9/1977	Lee	43/55
4,662,103 A	5/1987	Cheng	43/131
4,825,577 A *	5/1989	Brannon	43/55
4,840,143 A	6/1989	Simon	119/52.1
5,377,445 A *	1/1995	Brannon	43/55
5,501,033 A	3/1996	Wefler	43/131
5,667,816 A	9/1997	Moss	424/659
5,746,021 A	5/1998	Green	43/131
5,839,221 A	11/1998	Ron et al.	43/132.1
5,943,816 A	8/1999	Hyatt et al.	43/131

6,220,525 B1	4/2001	McSherdon	239/271
6,223,465 B1	5/2001	Soller et al.	43/131
6,421,951 B1 *	7/2002	Kuhl	43/56
6,467,216 B2	10/2002	McManus et al.	43/131

* cited by examiner

Primary Examiner—Catherine R. Oliver
(74) *Attorney, Agent, or Firm*—Gifford, Krass, Groh, Sprinkle, Anderson & Citkowski, P.C.

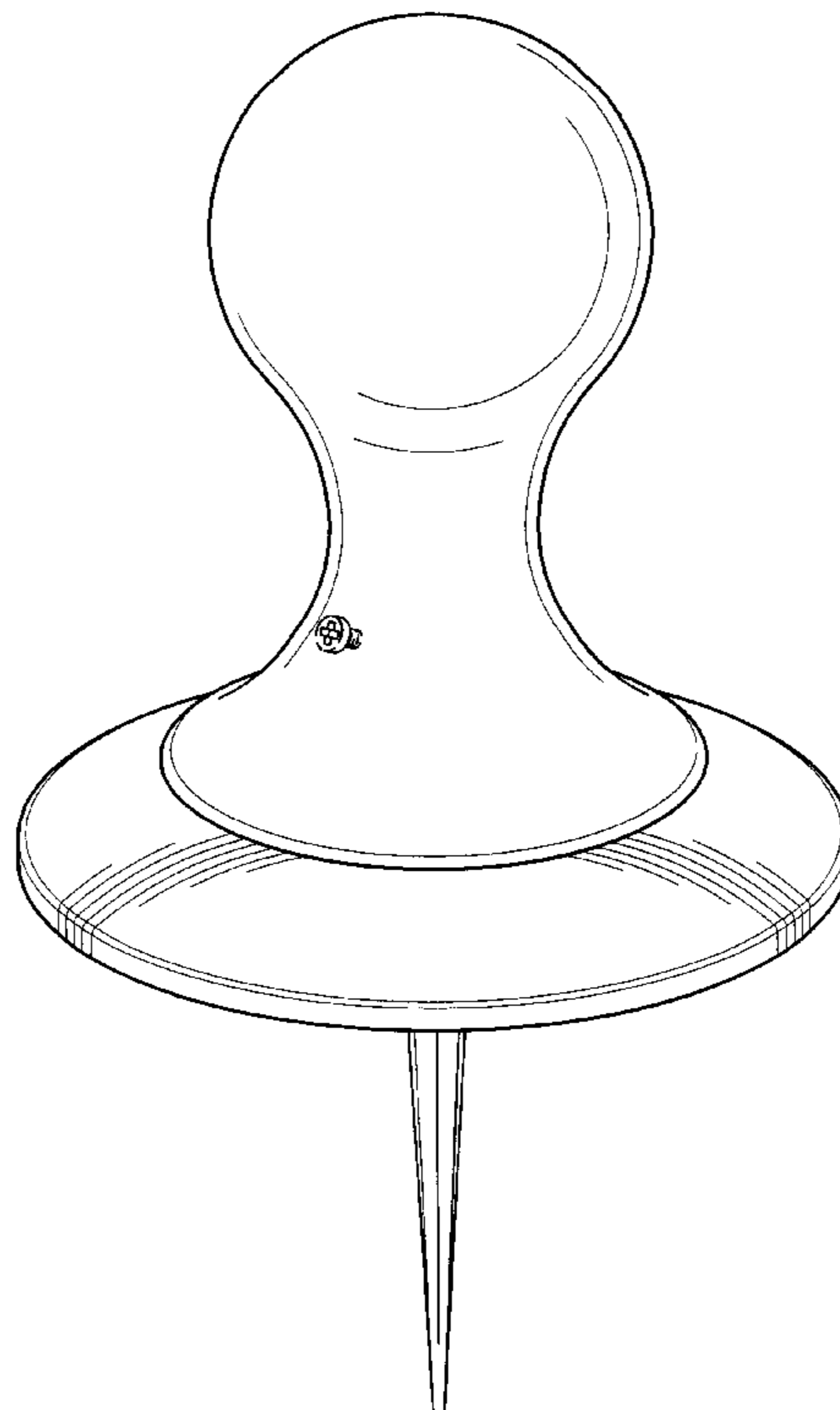
(57) **CLAIM**

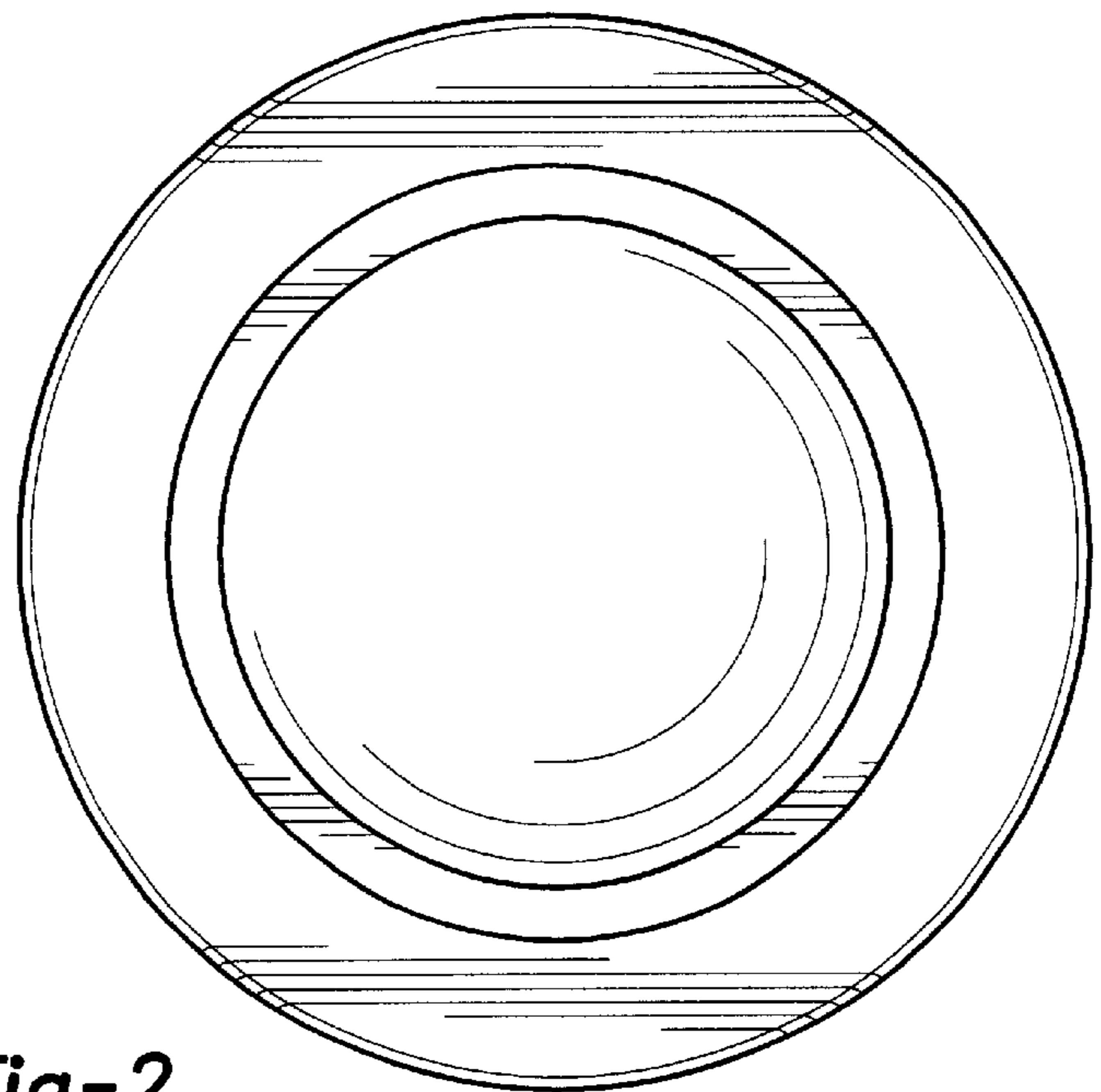
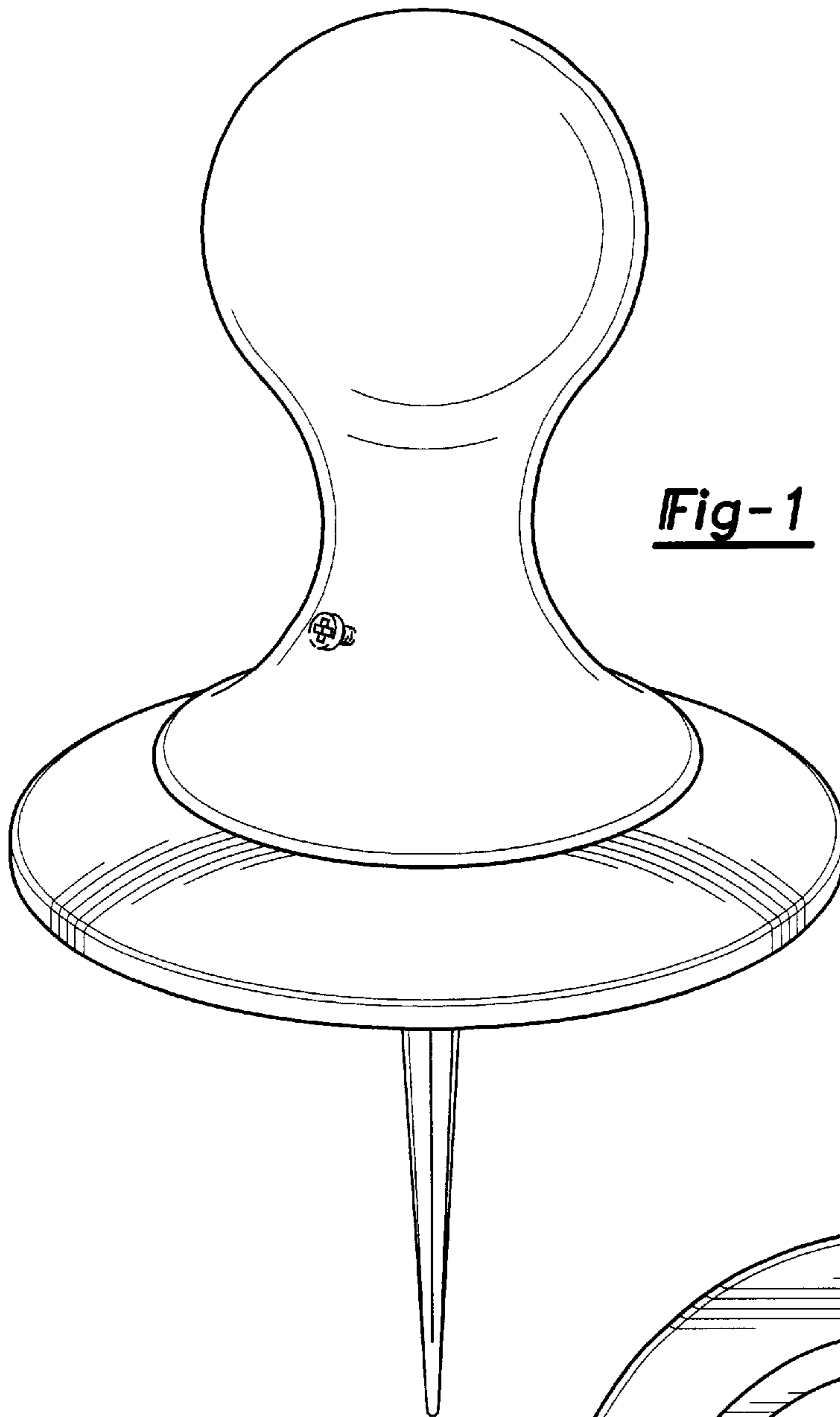
The ornamental design for a bait dispenser, as shown and described.

DESCRIPTION

FIG. 1 is a front elevational view of the bait dispenser of our new design;
FIG. 2 is a top plan view of the bait dispenser shown in FIG. 1;
FIG. 3 is a rear elevational view of the bait dispenser shown in FIG. 1;
FIG. 4 is a bottom plan view of the bait dispenser shown in FIG. 1;
FIG. 5 is a front elevational view of a modification of the bait dispenser shown in FIG. 1;
FIG. 6 is a top plan view of the modified bait dispenser shown in FIG. 5;
FIG. 7 is a rear elevational view of the modified bait dispenser shown in FIG. 5; and,
FIG. 8 is a bottom plan view of the modified bait dispenser shown in FIG. 5.

1 Claim, 4 Drawing Sheets





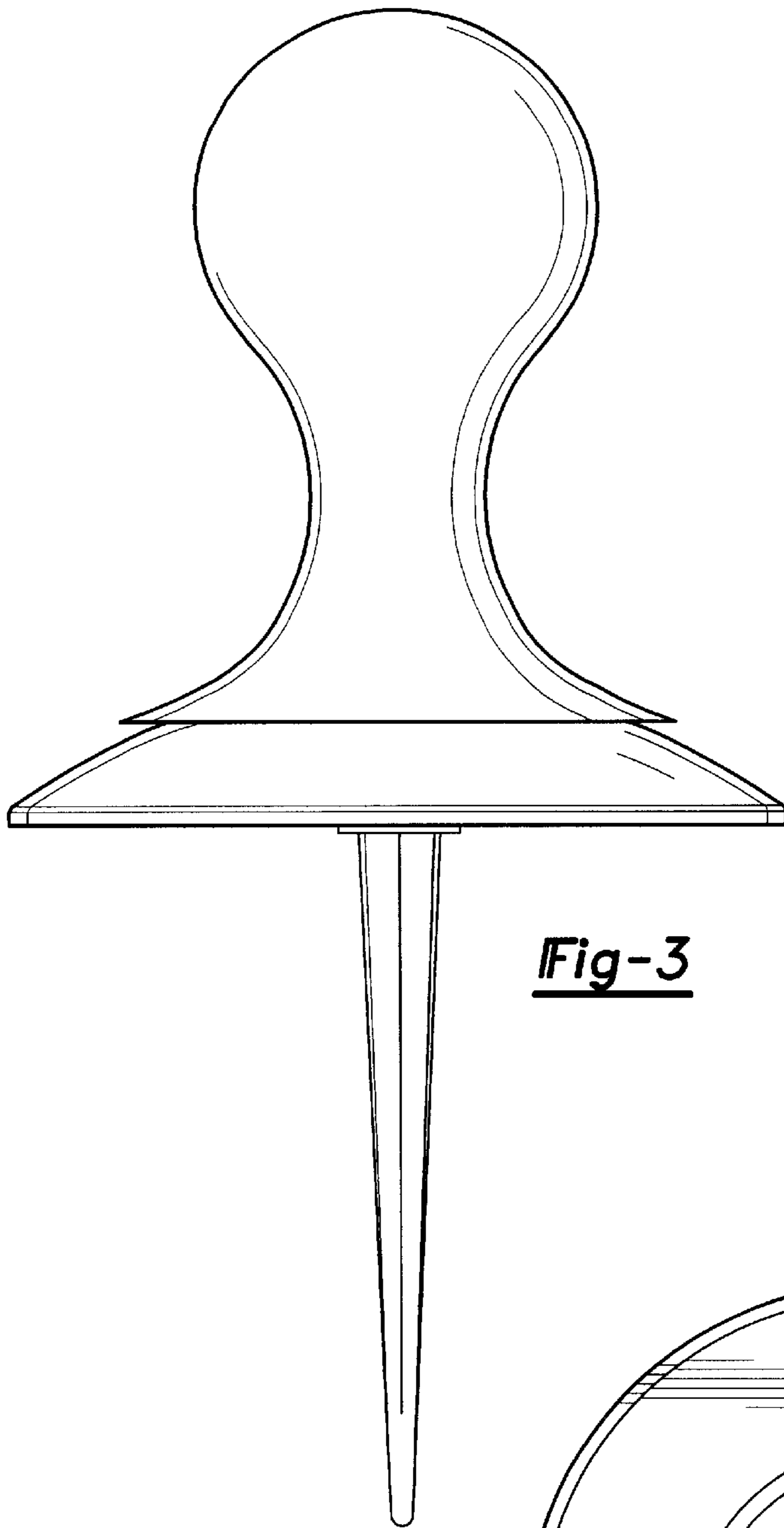


Fig-3

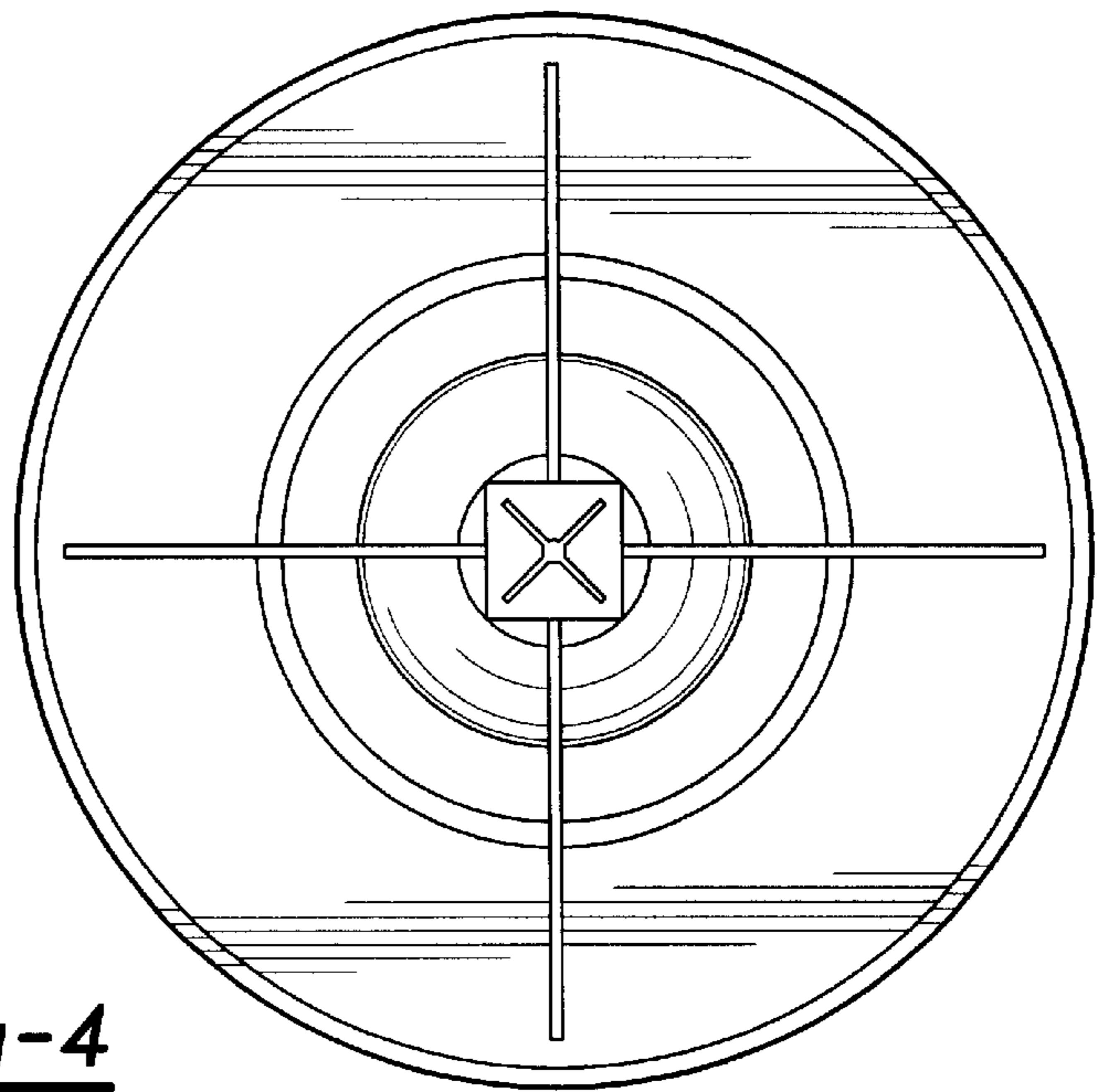


Fig-4

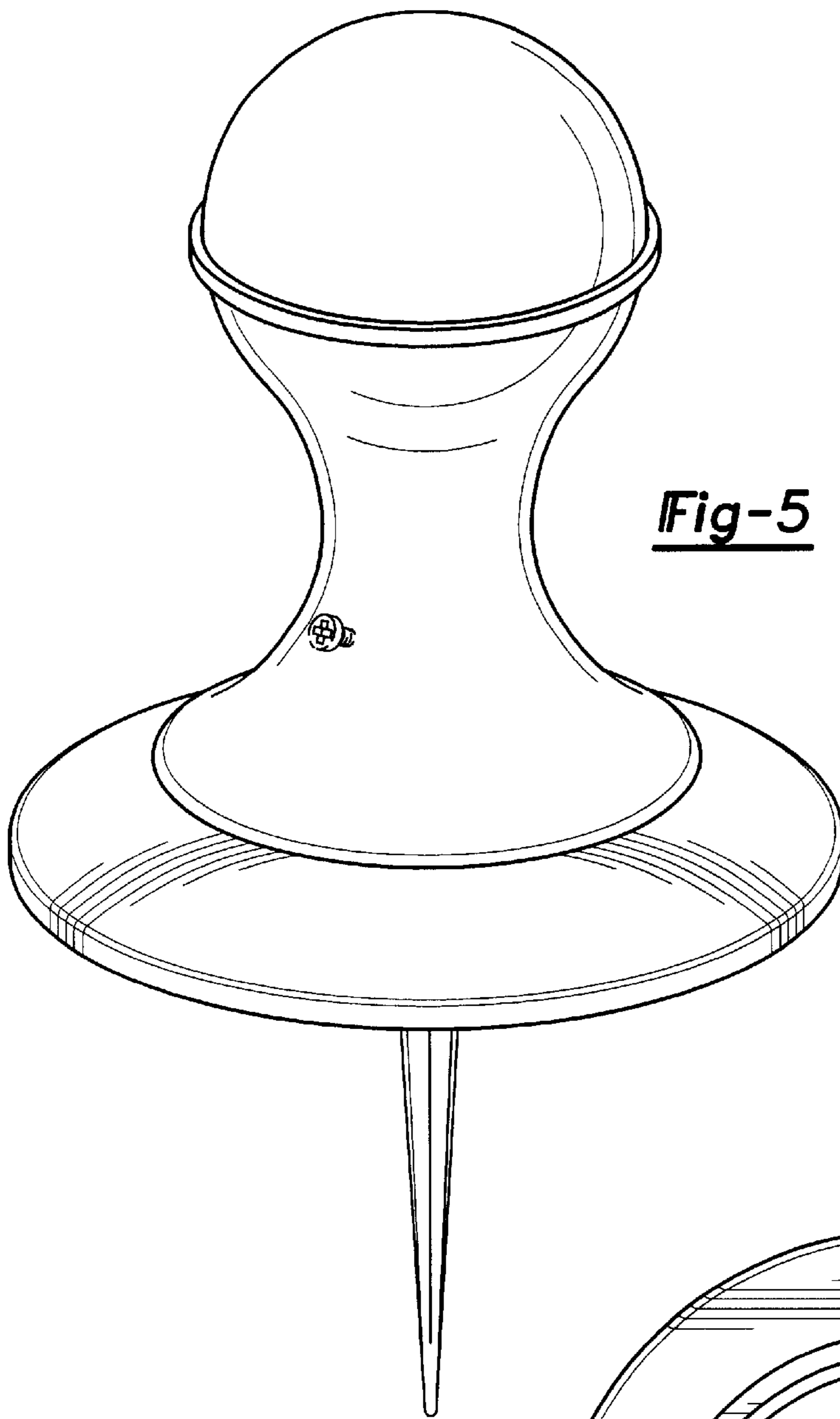


Fig-5

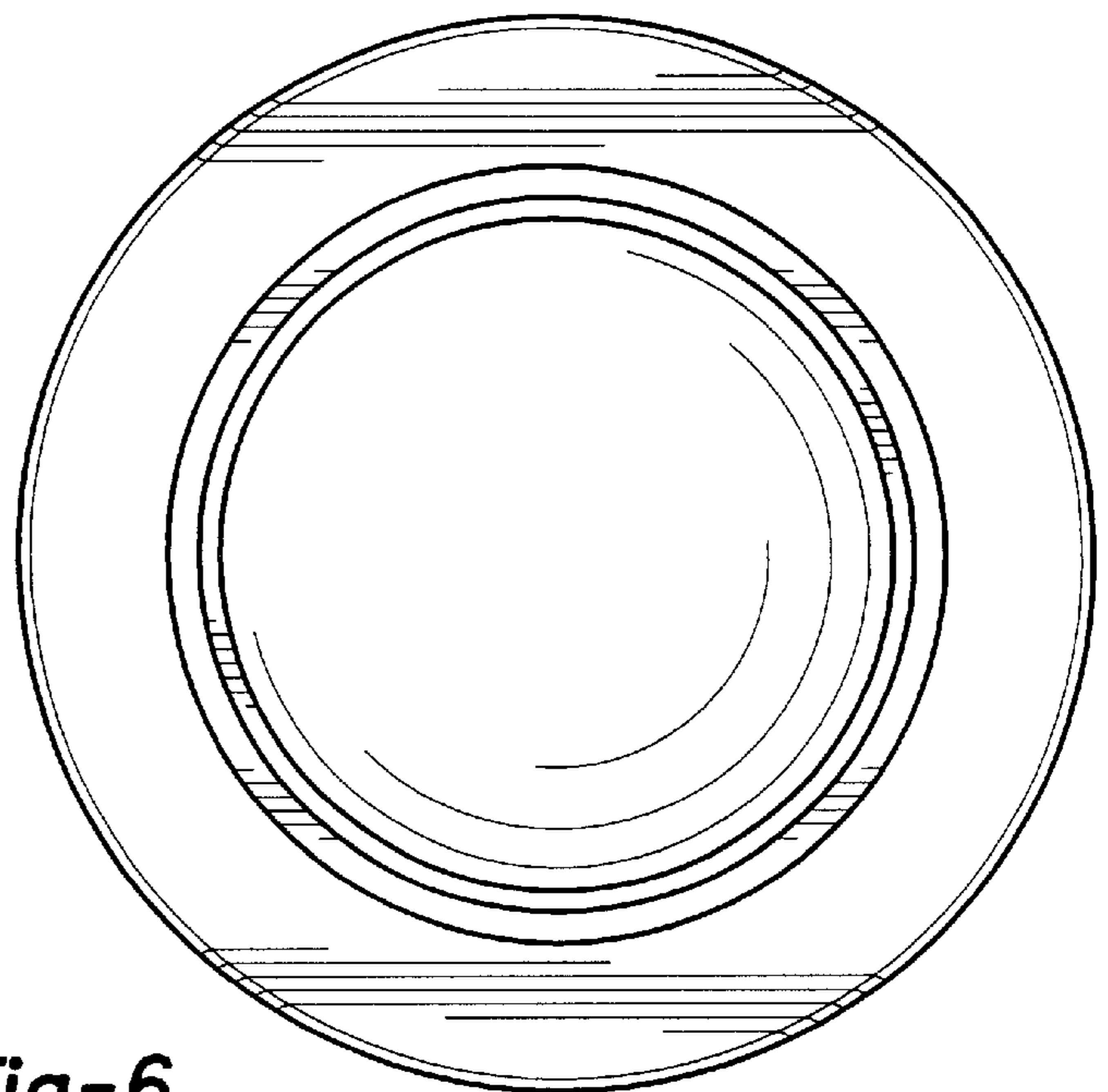


Fig-6

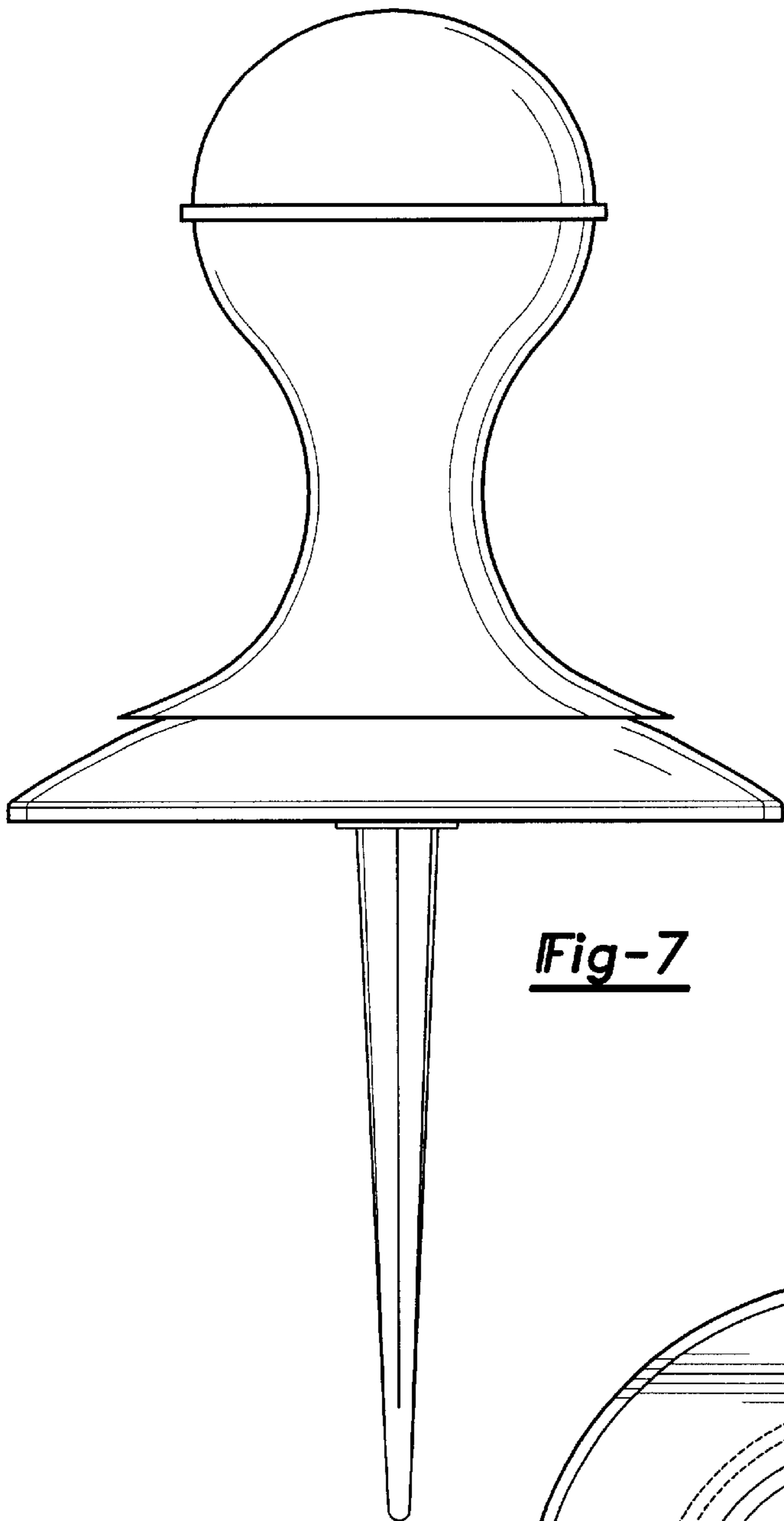


Fig-7

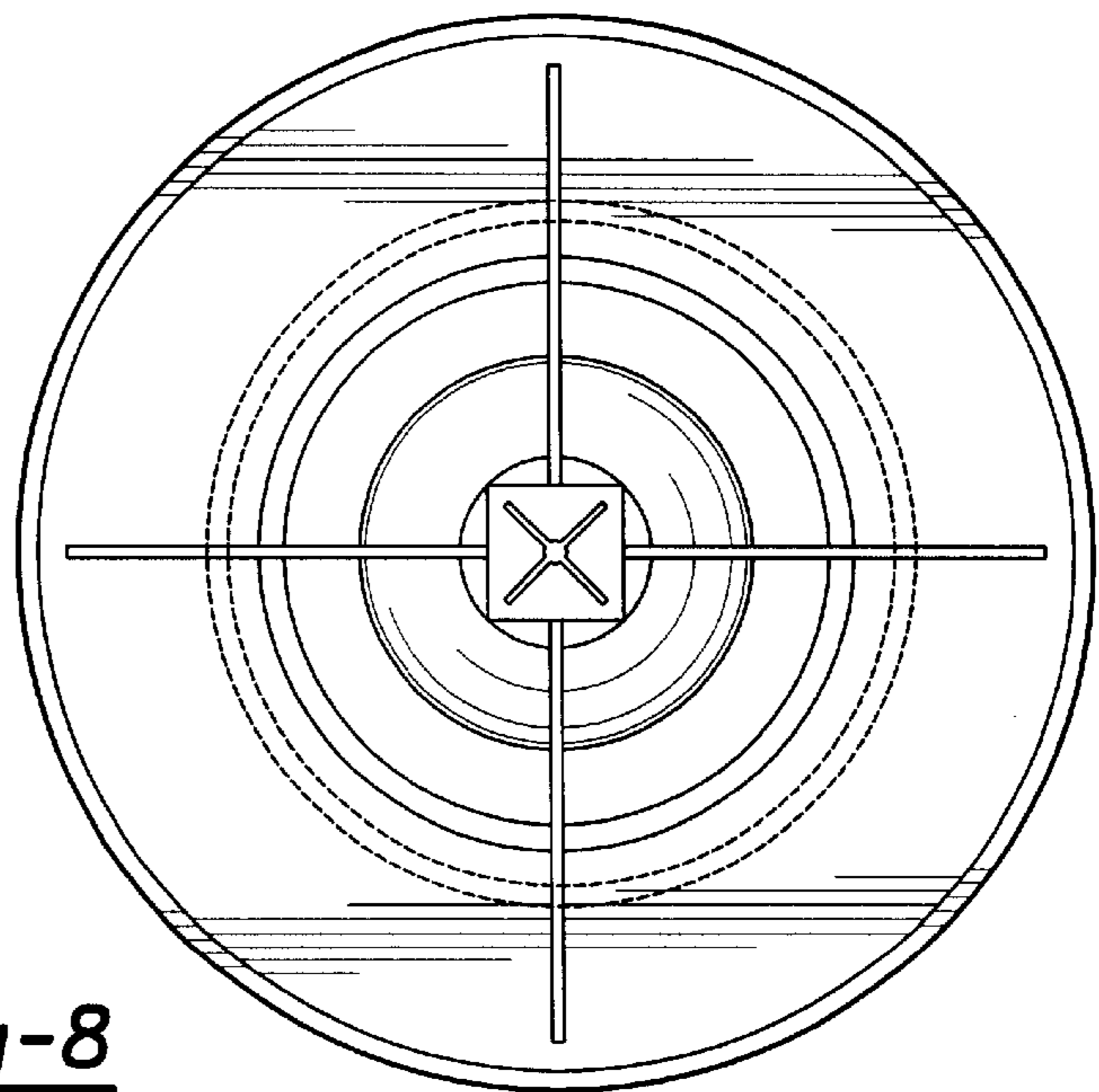


Fig-8