



US00D489427S

(12) **United States Design Patent**
Rager

(10) **Patent No.:** **US D489,427 S**

(45) **Date of Patent:** **** May 4, 2004**

- (54) **BOW SIGHT**
- (75) Inventor: **Christopher A. Rager**, Three Forks, MT (US)
- (73) Assignee: **Trophy Ridge, LLC**, Bozeman, MT (US)
- (**) Term: **14 Years**
- (21) Appl. No.: **29/183,920**
- (22) Filed: **Jun. 18, 2003**

| | | | | | |
|--------------|---|---------|---------------|-------|--------|
| 5,630,279 A | * | 5/1997 | Slates | | 33/265 |
| 5,634,278 A | | 6/1997 | London | | |
| 5,638,604 A | | 6/1997 | Lorocco | | |
| 5,653,217 A | | 8/1997 | Keller | | |
| 5,676,122 A | | 10/1997 | Wiseby et al. | | |
| 5,685,081 A | | 11/1997 | Winegar | | |
| 5,836,294 A | | 11/1998 | Merritt | | |
| 5,956,854 A | | 9/1999 | Lorocco | | |
| 6,000,141 A | * | 12/1999 | Afshari | | 33/265 |
| 6,016,608 A | | 1/2000 | Lorocco | | |
| 6,154,971 A | | 12/2000 | Perkins | | |
| 6,276,068 B1 | | 8/2001 | Sheliga | | |
| 6,397,483 B1 | | 6/2002 | Perkins | | |
| 6,418,633 B1 | | 7/2002 | Rager | | |
| 6,443,142 B1 | * | 9/2002 | Wiseby et al. | | 124/87 |

Related U.S. Application Data

- (63) Continuation-in-part of application No. 10/196,333, filed on Jul. 16, 2002, which is a continuation-in-part of application No. 09/607,243, filed on Jun. 30, 2000, now Pat. No. 6,413,633.
- (51) **LOC (7) Cl.** **22-01**
- (52) **U.S. Cl.** **D22/107**
- (58) **Field of Search** D22/100, 107, D22/199; 33/265; 42/132, 136, 137, 138, 139, 145; 124/86, 87, 88

(56) **References Cited**

U.S. PATENT DOCUMENTS

| | | | | | |
|-------------|---|---------|-----------------|-------|--------|
| 3,084,442 A | * | 4/1963 | Jacobson et al. | | 33/265 |
| 3,234,651 A | | 2/1966 | Rivers | | |
| 3,455,027 A | | 7/1969 | Perkins | | |
| 3,475,820 A | | 11/1969 | Kernan | | |
| 3,997,974 A | | 12/1976 | Larson | | |
| 4,120,096 A | | 10/1978 | Keller | | |
| 4,244,115 A | | 1/1981 | Waldorf | | |
| 4,291,664 A | | 9/1981 | Nishioka | | |
| 4,977,678 A | | 12/1990 | Sears | | |
| 5,086,567 A | | 2/1992 | Tutsch | | |
| 5,103,568 A | | 4/1992 | Canoy | | |
| 5,127,166 A | * | 7/1992 | Bishop | | 42/137 |
| 5,131,153 A | | 7/1992 | Seales | | |
| 5,362,046 A | | 11/1994 | Sims | | |
| 5,383,279 A | | 1/1995 | Tami | | |
| 5,442,861 A | | 8/1995 | Lorocco | | |
| 5,442,863 A | | 8/1995 | Fazely | | |
| 5,465,491 A | * | 11/1995 | Thell | | 33/265 |

OTHER PUBLICATIONS

- Majestic Hunter bow sight from Altier Archery. (One page description with 8 photographs).
- Bow sight from HHA Sports. (One page description with 6 photographs).
- Bow sight from Tru-Glo, Inc., including Affidavit of David Stroh with 2 photographs.

* cited by examiner

Primary Examiner—Louis S. Zarfaz
Assistant Examiner—Monica A. Weingart
 (74) *Attorney, Agent, or Firm*—Merchant & Gould P.C.

(57) **CLAIM**

The ornamental design for the bow sight, as shown and described.

DESCRIPTION

FIG. 1 is a perspective view of a bow sight, illustrating the front, top and right sides of the bow sight;
 FIG. 2 is a top plan view of the bow sight of FIG. 1;
 FIG. 3 is a front plan view of the bow sight of FIG. 1;
 FIG. 4 is a bottom plan view of the bow sight of FIG. 1;
 FIG. 5 is a right plan view of the bow sight of FIG. 1;
 FIG. 6 is a back plan view of the bow sight of FIG. 1; and,
 FIG. 7 is a bottom plan view of the bow sight of FIG. 1.

1 Claim, 7 Drawing Sheets

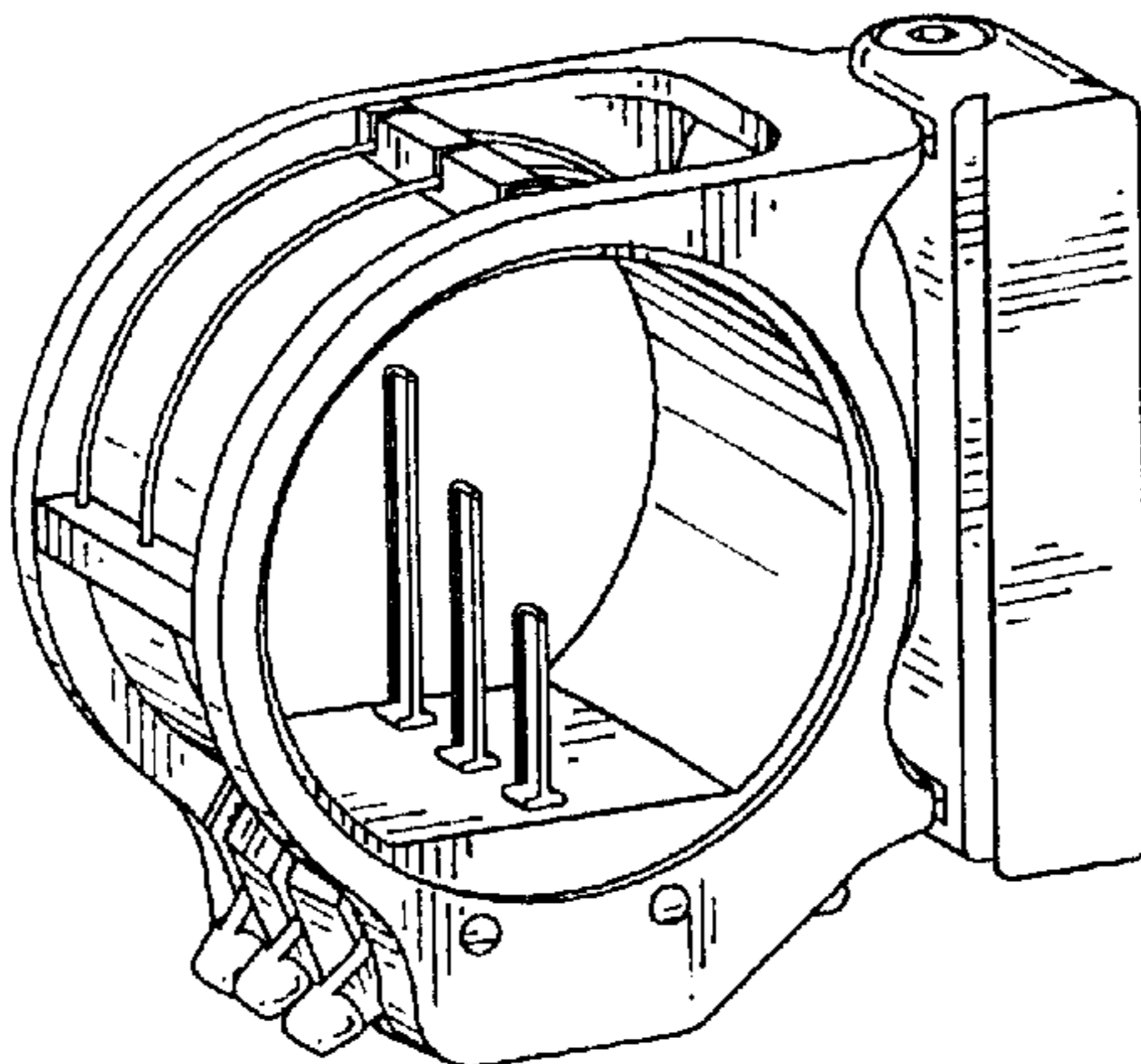


Fig. 1

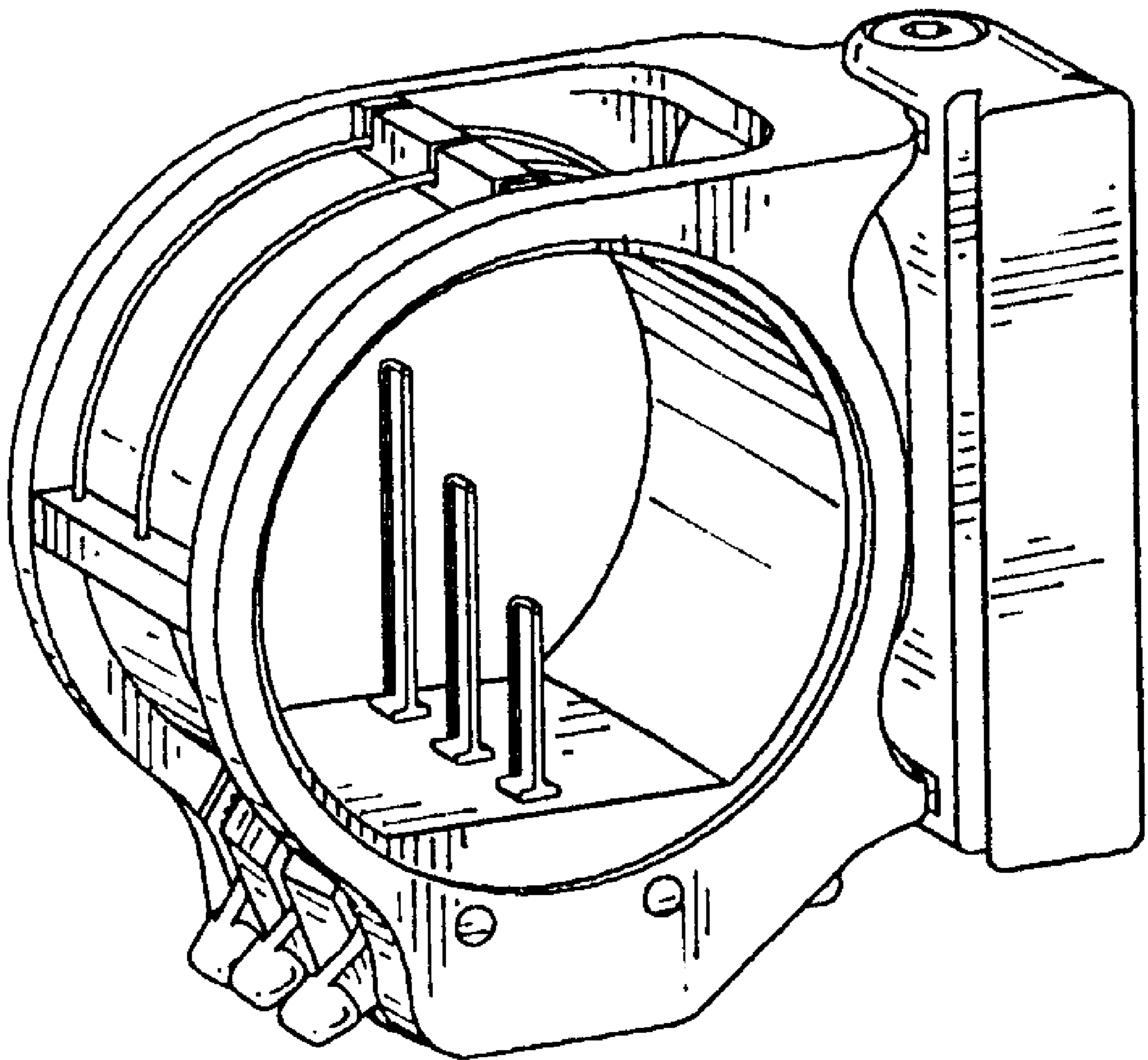


Fig. 2

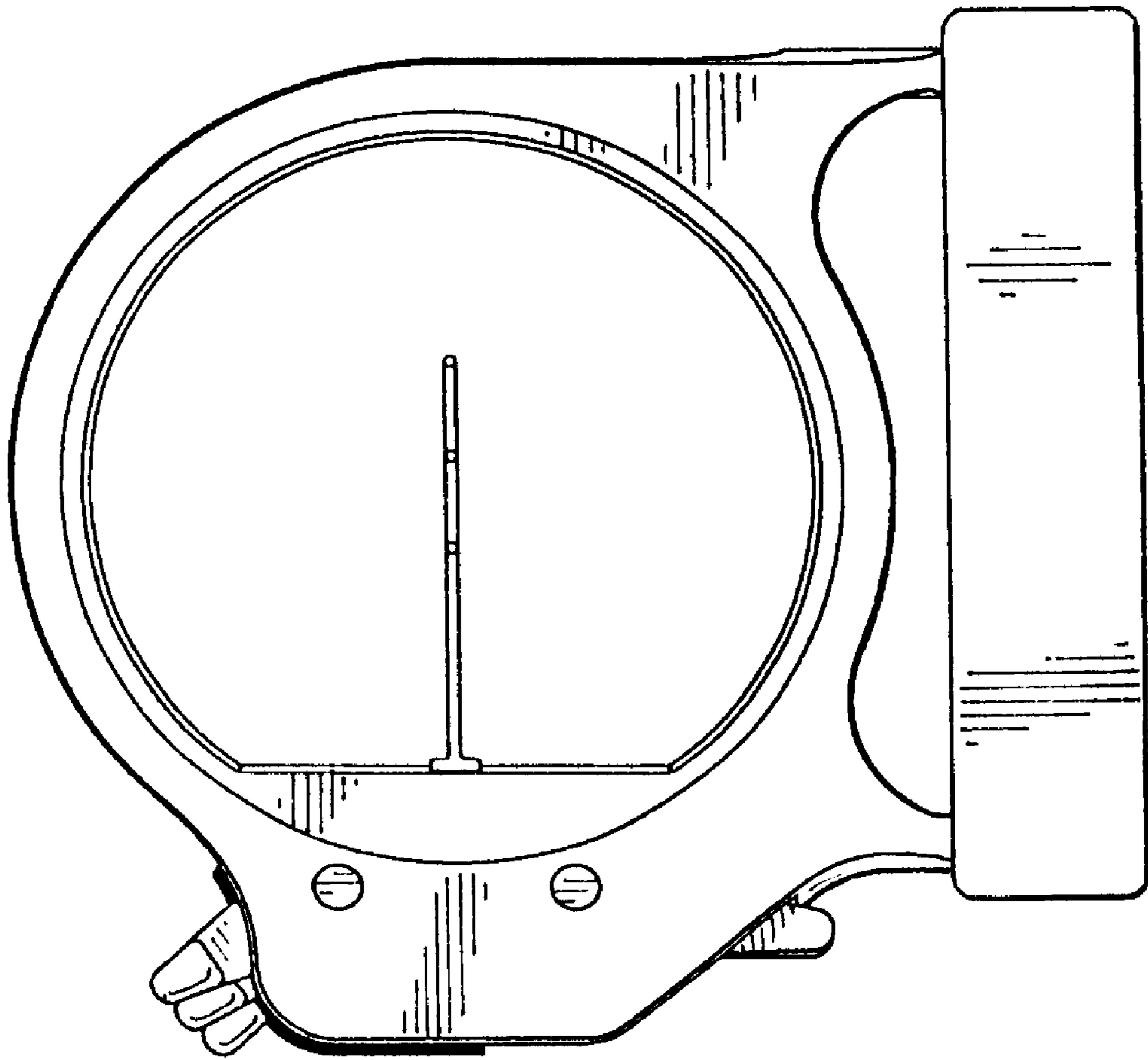


Fig. 3

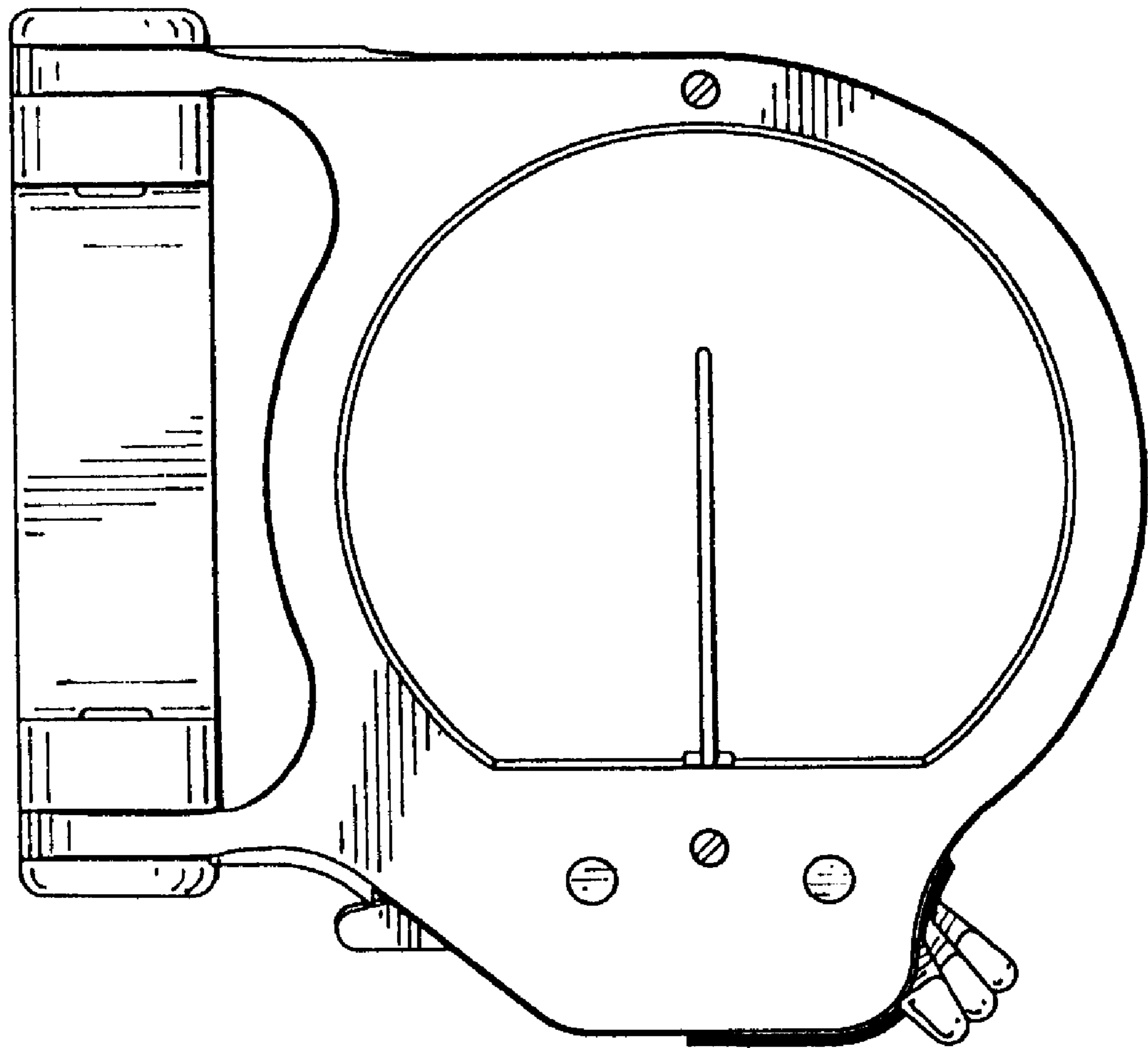


Fig. 4

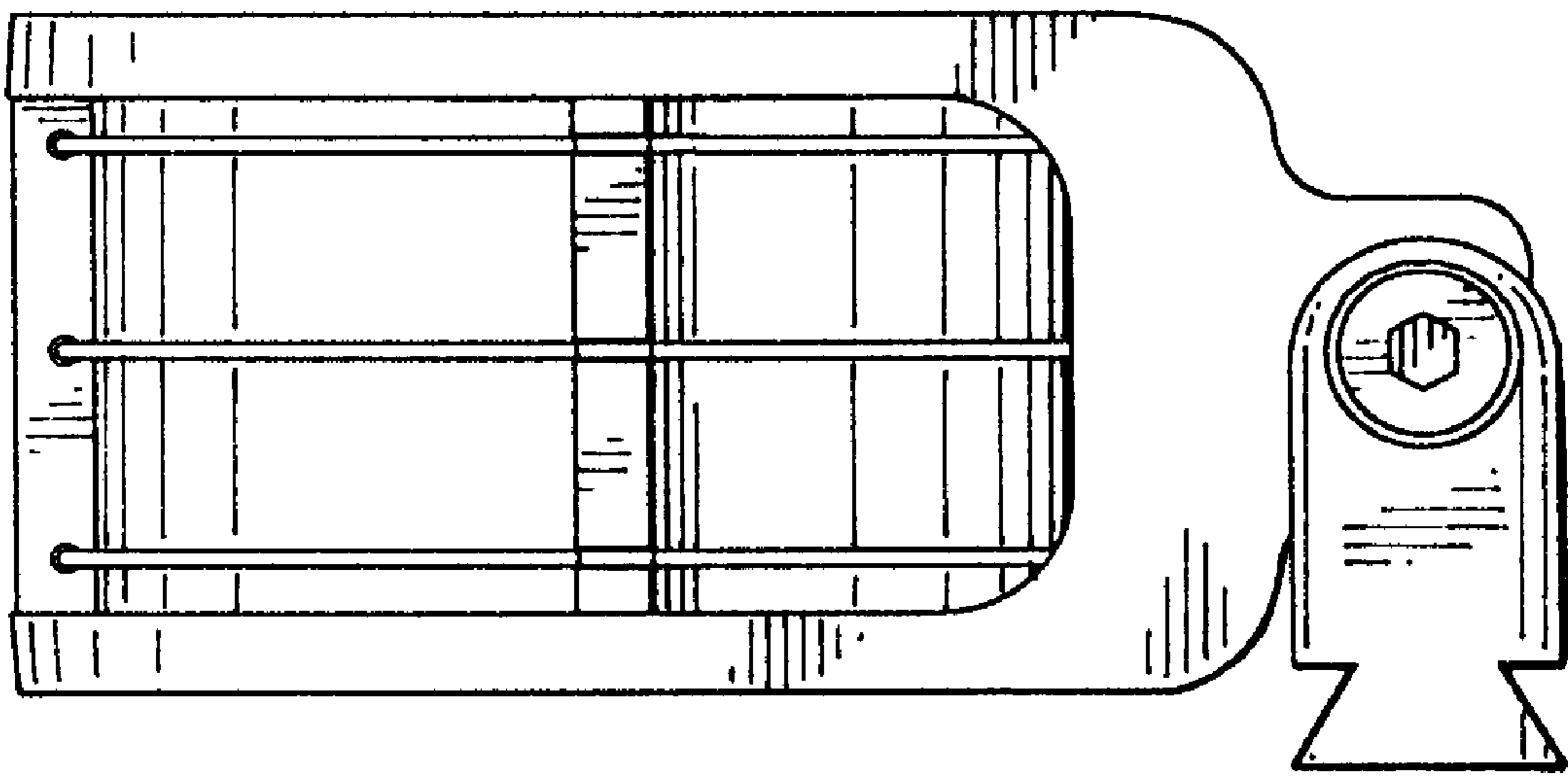


Fig. 5

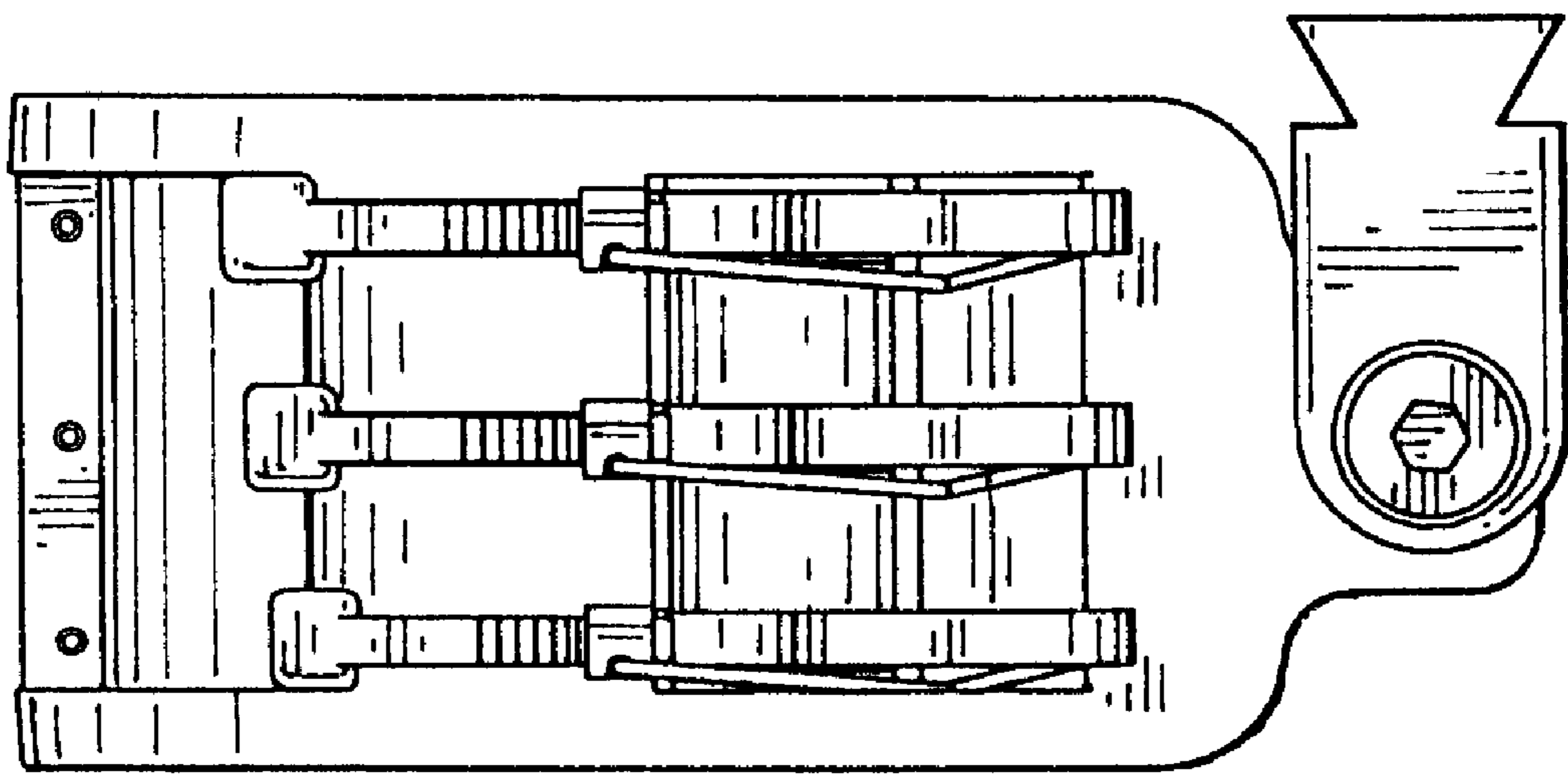


Fig. 6

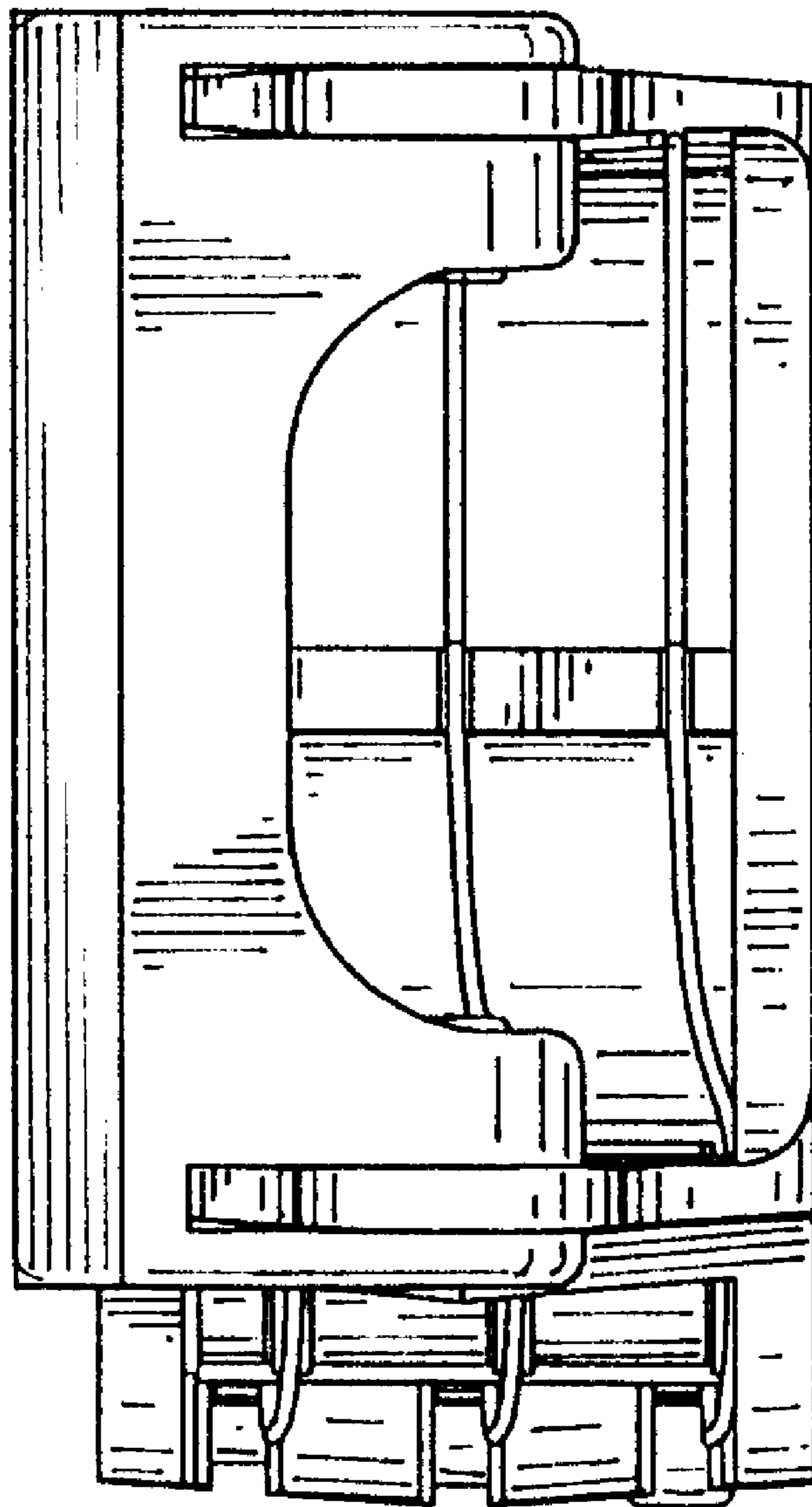


Fig. 7

