



US00D489415S

(12) **United States Design Patent**
Grunt

(10) **Patent No.:** **US D489,415 S**

(45) **Date of Patent:** **** May 4, 2004**

(54) **DISC-TOSS GAME**

(76) Inventor: **Edvin F. Grunt**, 3094 Hillside
Crescent, Val Caron, Ontario (CA), P3N
1A6

(**) Term: **14 Years**

(21) Appl. No.: **29/177,173**

(22) Filed: **Mar. 6, 2003**

(51) **LOC (7) Cl.** **21-01**

(52) **U.S. Cl.** **D21/303; D21/304**

(58) **Field of Search** **D21/301-304;**
273/398-402, 317, 407, 123 R, 126 R,
127 R, 259, 277, 287

(56) **References Cited**

U.S. PATENT DOCUMENTS

D231,480 S	*	4/1974	Britton	D21/303
3,815,915 A	*	6/1974	Chapman	273/402
4,936,590 A	*	6/1990	Palmer	273/402
4,974,858 A	*	12/1990	Knowlton	273/401
D369,188 S	*	4/1996	Briggs	D21/303
5,536,007 A	*	7/1996	Snyder	D21/303 X
D382,601 S	*	8/1997	Antill	D21/303

* cited by examiner

Primary Examiner—Prabhakar Deshmukh
(74) *Attorney, Agent, or Firm*—Mike Gauthier

(57) **CLAIM**

I claim the ornamental design for the disc-toss game, as shown and described.

DESCRIPTION

The present design illustrates a disc-tossing game having tossing discs, two platforms with a plurality of scoring cups, handles, and hinges for portability.

FIG. 1 is a perspective view of a top portion of the disc-toss game showing my new design;

FIG. 2 is a perspective view of a bottom portion of the disc-toss game thereof;

FIG. 3 is a perspective view of the disc-toss game, shown in an assembled position;

FIG. 4 is a top plan view thereof; shown without tossing discs for clarity;

FIG. 5 is a rear elevational view of the top portion thereof;

FIG. 6 is a top plan view of the bottom portion thereof;

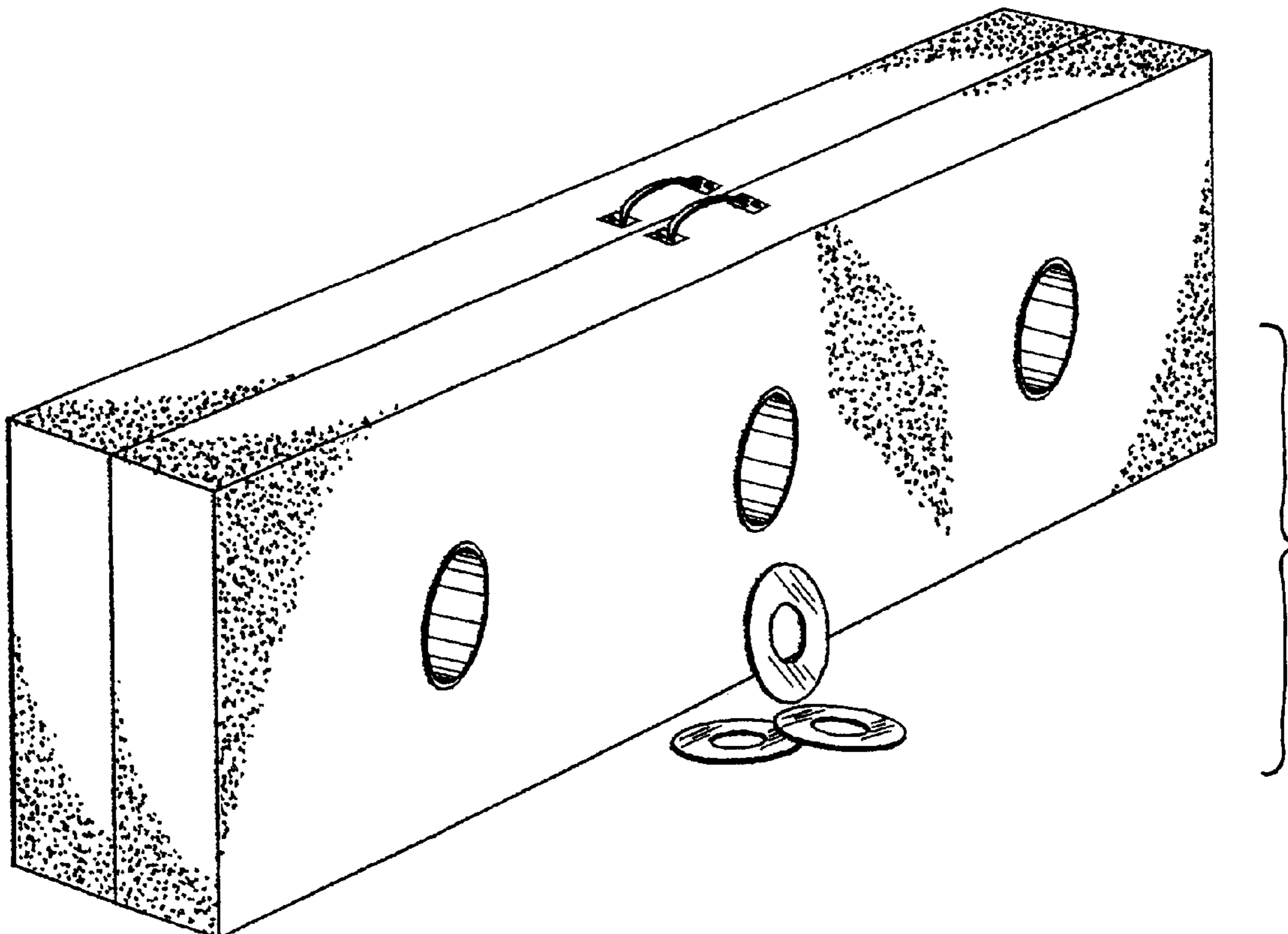
FIG. 7 is a front elevational view of top portion thereof;

FIG. 8 is a left side elevational view of the top portion thereof; and,

FIG. 9 is a right side elevational view of the top portion thereof.

The corresponding views of the bottom portion of the disc-toss game are identical to what is shown in FIGS. 5, 7-9, with the exception of their inside surfaces.

1 Claim, 2 Drawing Sheets



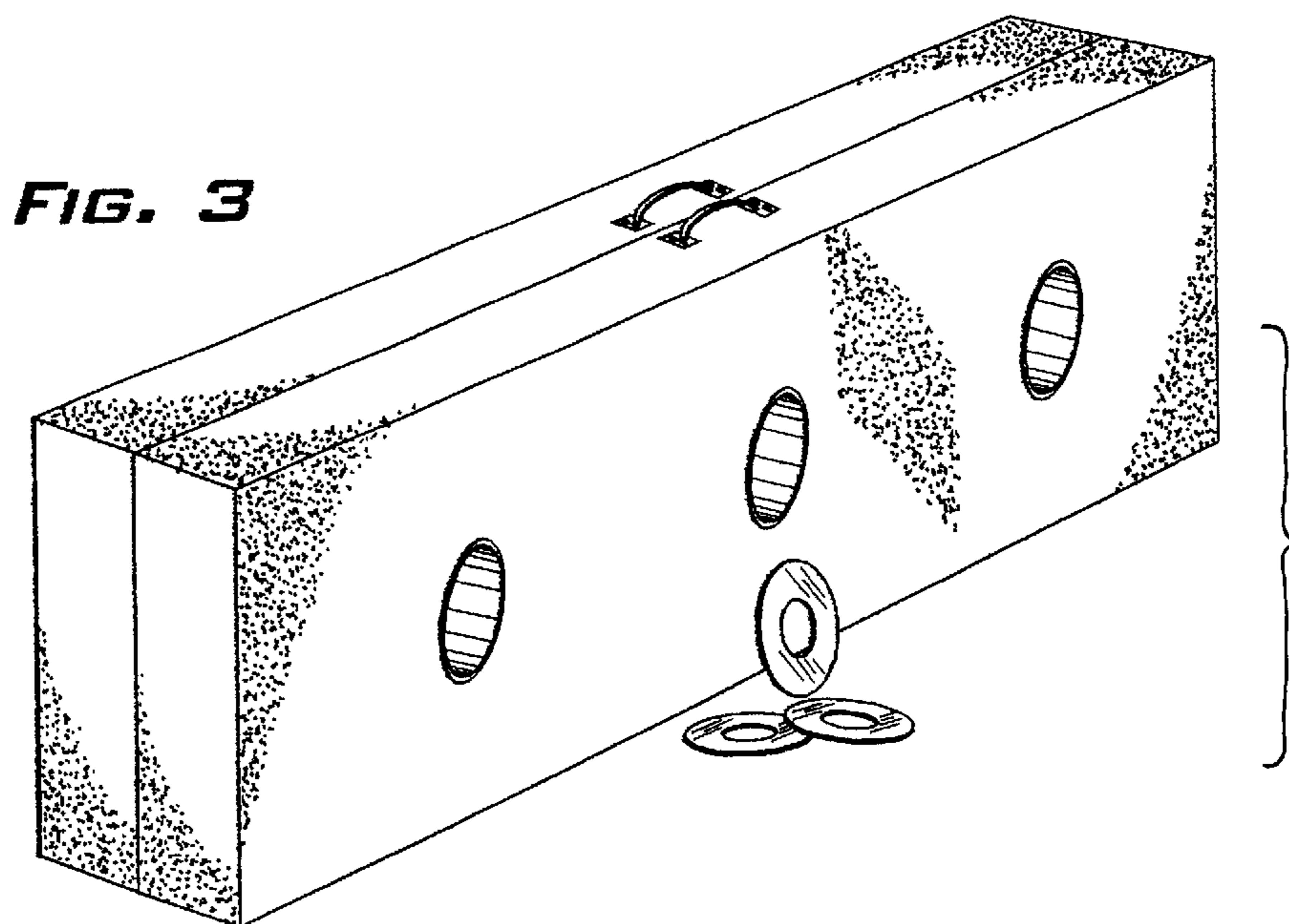
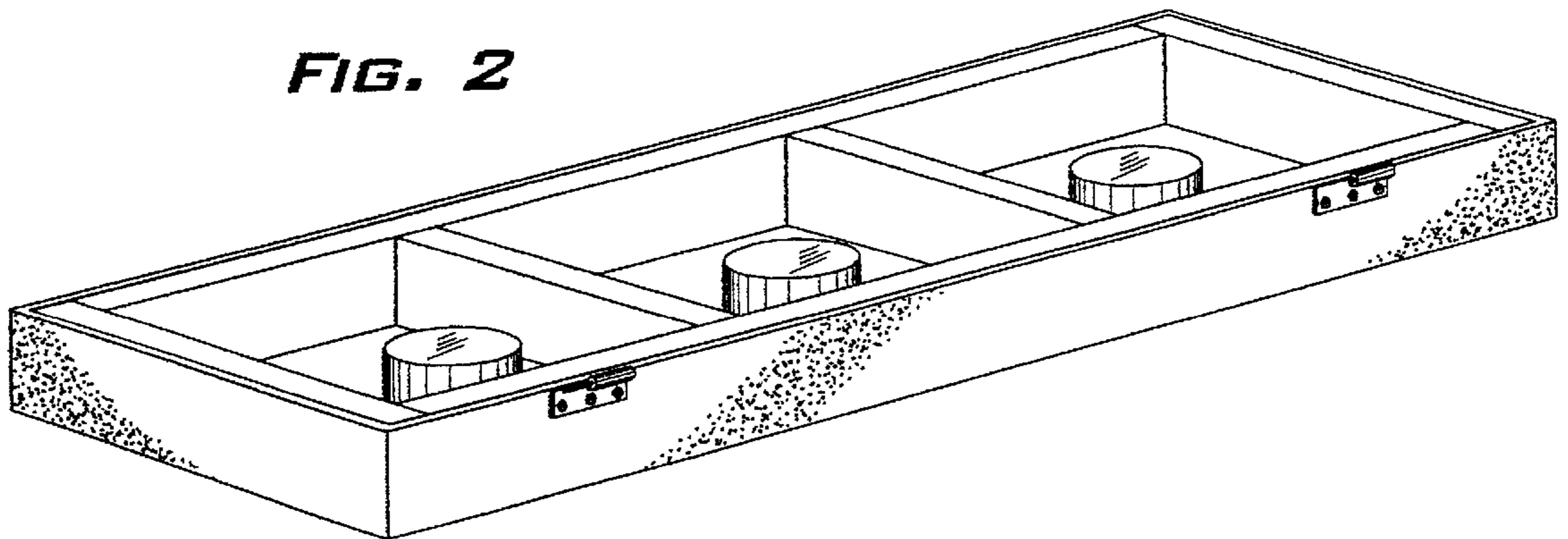
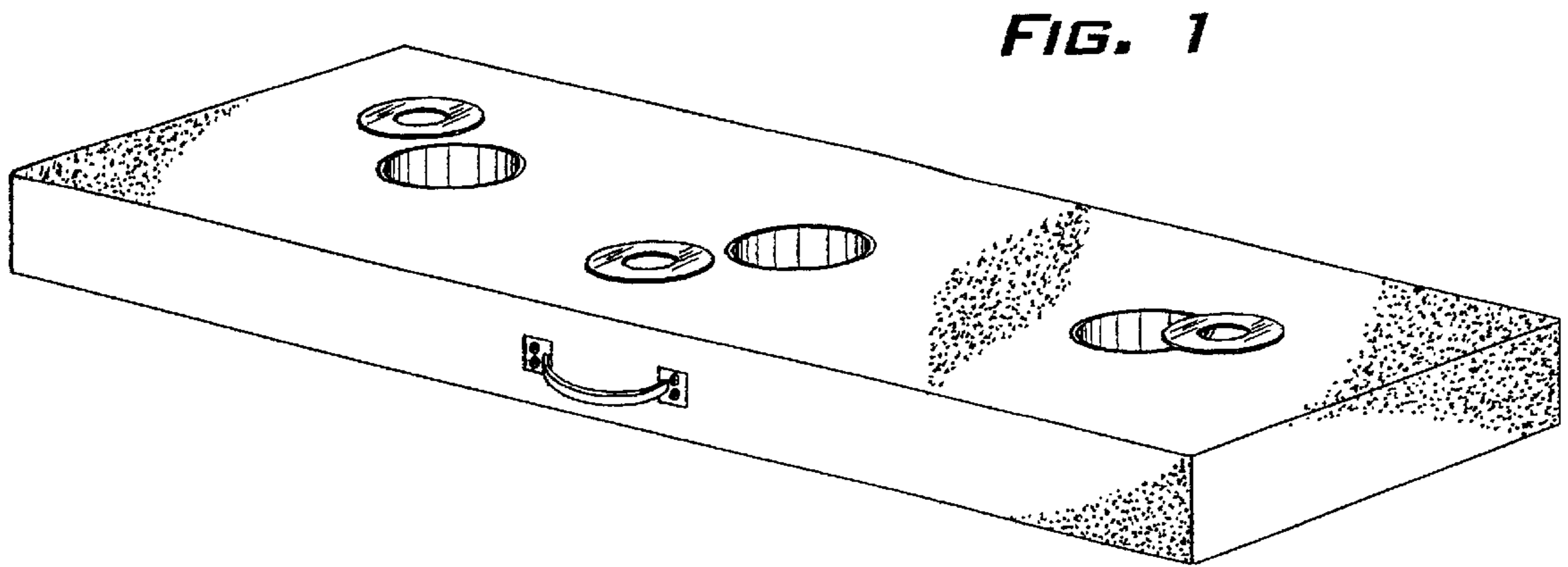


FIG. 4

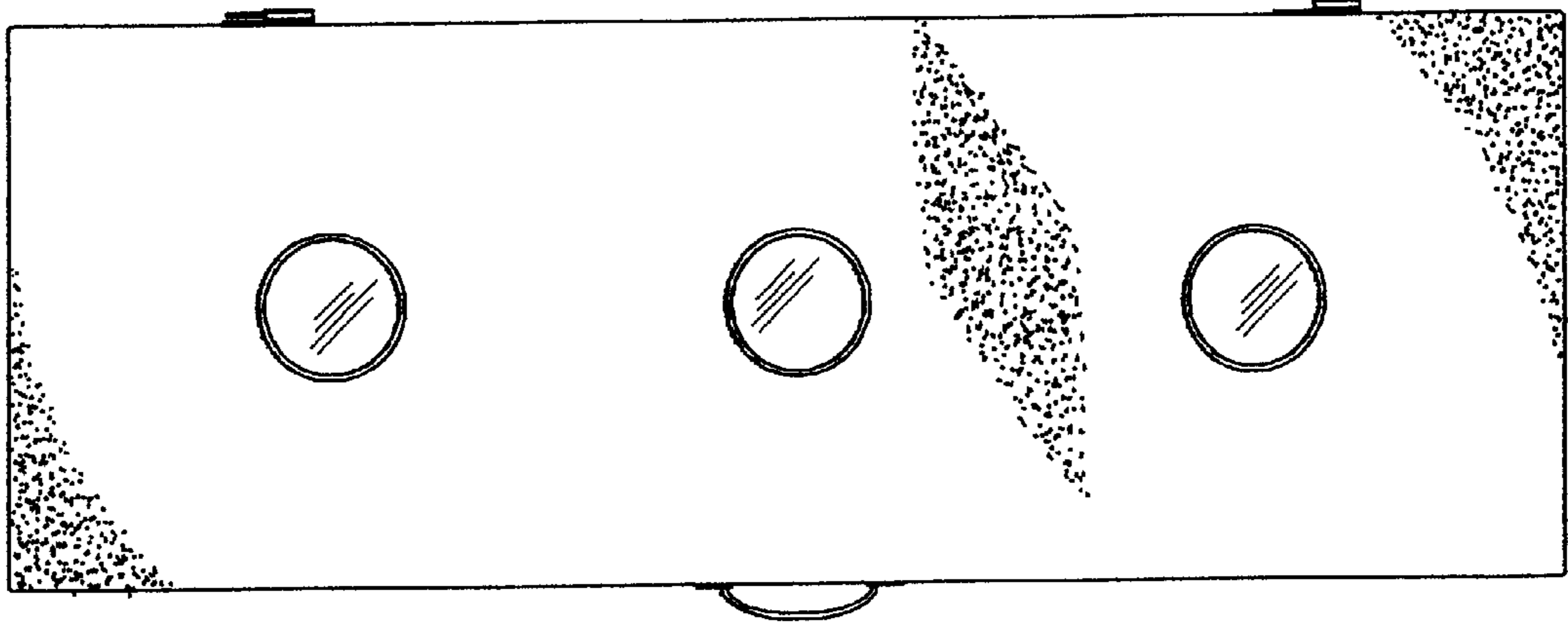


FIG. 5



FIG. 6

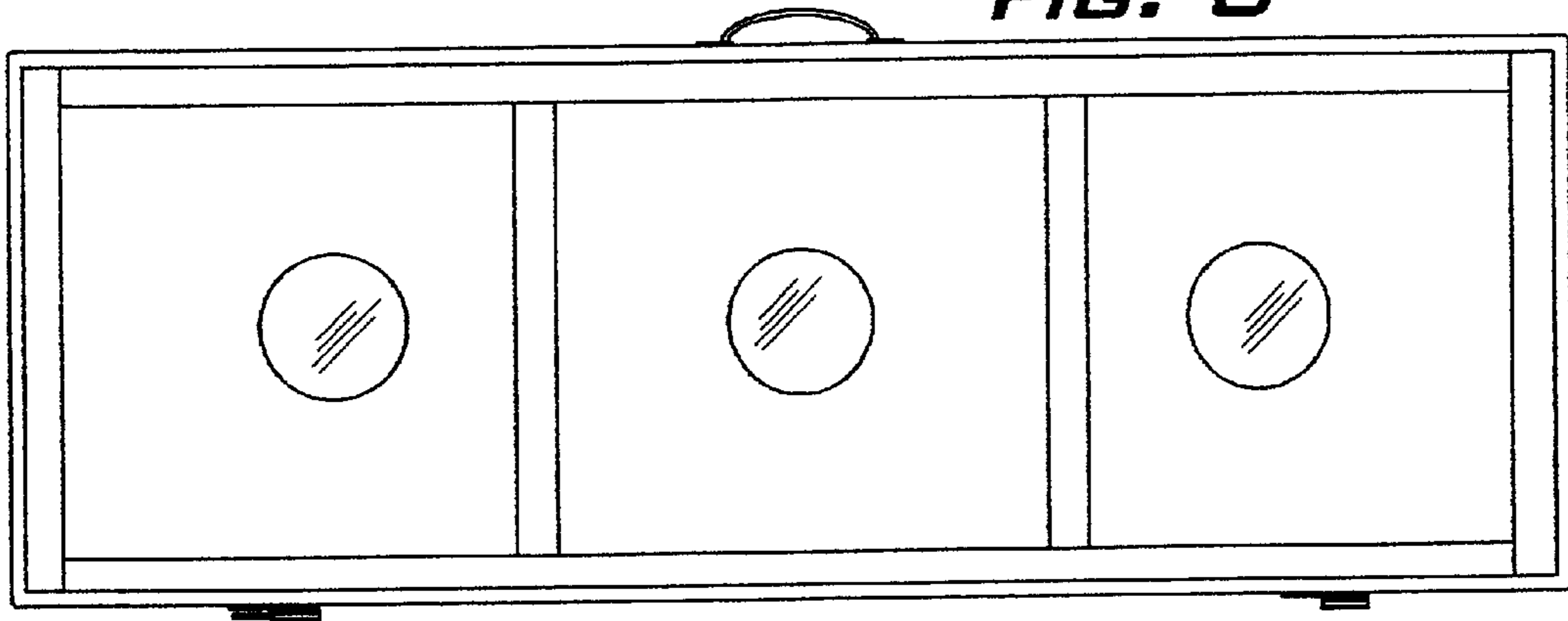


FIG. 7

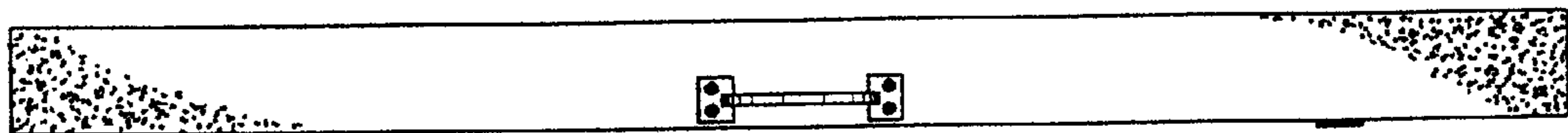


FIG. 8

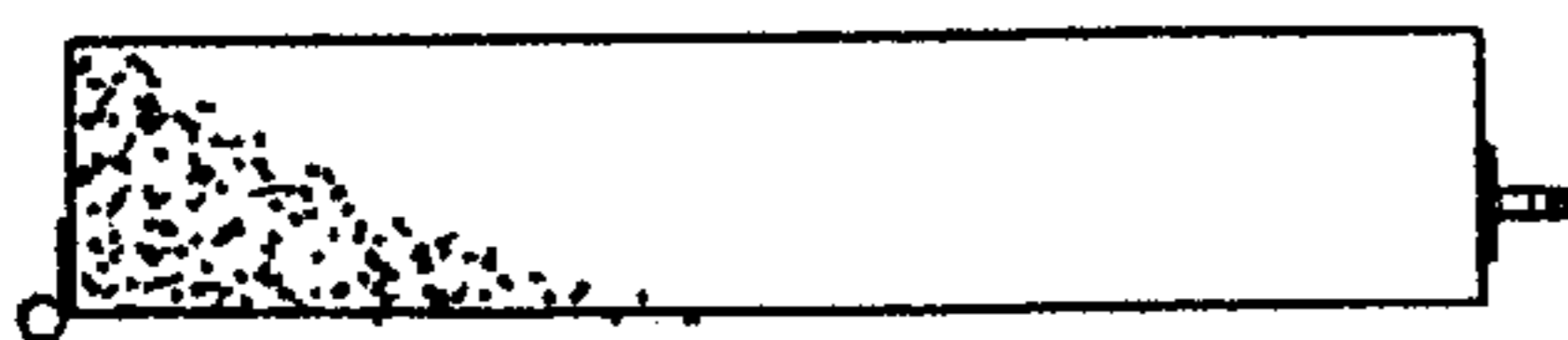


FIG. 9

