



US00D489413S

(12) **United States Design Patent**
Schwarzli

(10) **Patent No.:** **US D489,413 S**

(45) **Date of Patent:** **** May 4, 2004**

(54) **VENDING MACHINE**
(75) Inventor: **Josef W. Schwarzli**, Stouffville (CA)
(73) Assignee: **Beaver Machine Corporation**,
Newmarket (CA)
(**) Term: **14 Years**

3,341,269 A	*	9/1967	Weitzman	312/205
4,534,492 A		8/1985	Schwarzli	221/203
D282,857 S		3/1986	Schwarzli	D20/7
5,176,290 A		1/1993	Schwarzli	221/203
5,259,532 A		11/1993	Schwarzli	221/304
5,397,134 A	*	3/1995	Fishman et al.	463/25
D357,706 S	*	4/1995	Pick et al.	D20/7
D388,466 S	*	12/1997	Yurchak	D20/1
D431,837 S	*	10/2000	Bolen	D20/1

(21) Appl. No.: **29/164,300**
(22) Filed: **Jul. 23, 2002**
(30) **Foreign Application Priority Data**

Mar. 14, 2002 (CA) 98923

(51) **LOC (7) Cl.** **20-01**
(52) **U.S. Cl.** **D20/7**
(58) **Field of Search** D20/1-9; D6/515;
D7/590, 592; D9/339; D21/325, 369, 374;
40/1, 312; 141/104; 194/245, 247, 255,
258, 281, 350; 221/155, 203, 204, 208,
240, 245; 222/135, 144, 144.5, 145.1; 273/447,
448; 312/114

(56) **References Cited**

U.S. PATENT DOCUMENTS

D92,669 S	*	7/1934	Meyer	D20/1
D103,055 S	*	2/1937	Main	D20/4
3,341,267 A	*	9/1967	Weitzman	312/35

* cited by examiner

Primary Examiner—Robert M. Spear
(74) *Attorney, Agent, or Firm*—Dimock Stratton Clarizio;
Mark B. Eisen

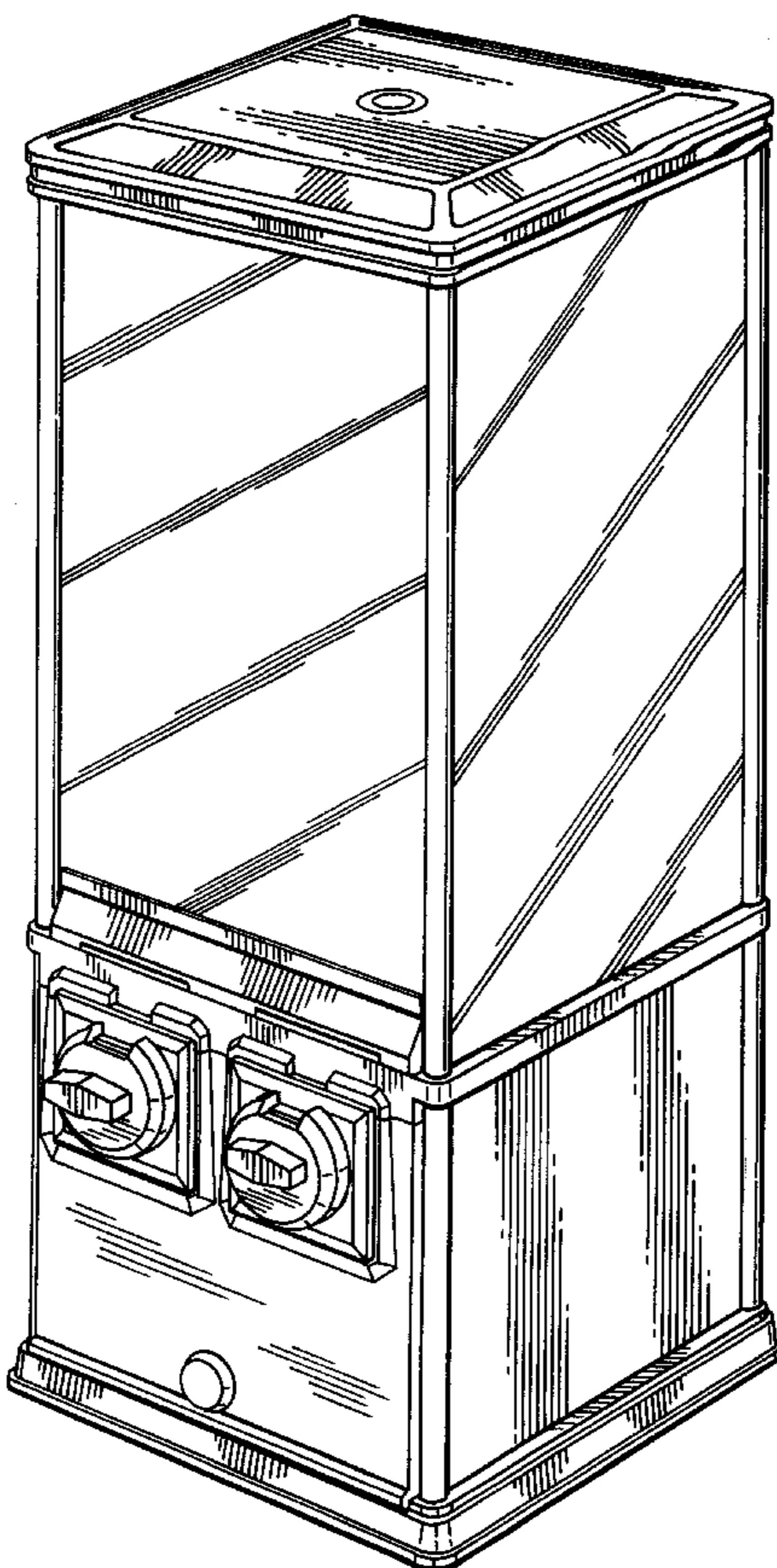
(57) **CLAIM**

The ornamental design for a vending machine, as shown and described.

DESCRIPTION

FIG. 1 is a perspective view of a vending machine;
FIG. 2 is a front elevational view thereof;
FIG. 3 is a side elevational view thereof, taken from the left side of FIG. 2;
FIG. 4 is a rear elevational view thereof;
FIG. 5 is a side elevational view thereof, taken from the right side of FIG. 2; and,
FIG. 6 is a top plan view thereof.

1 Claim, 4 Drawing Sheets



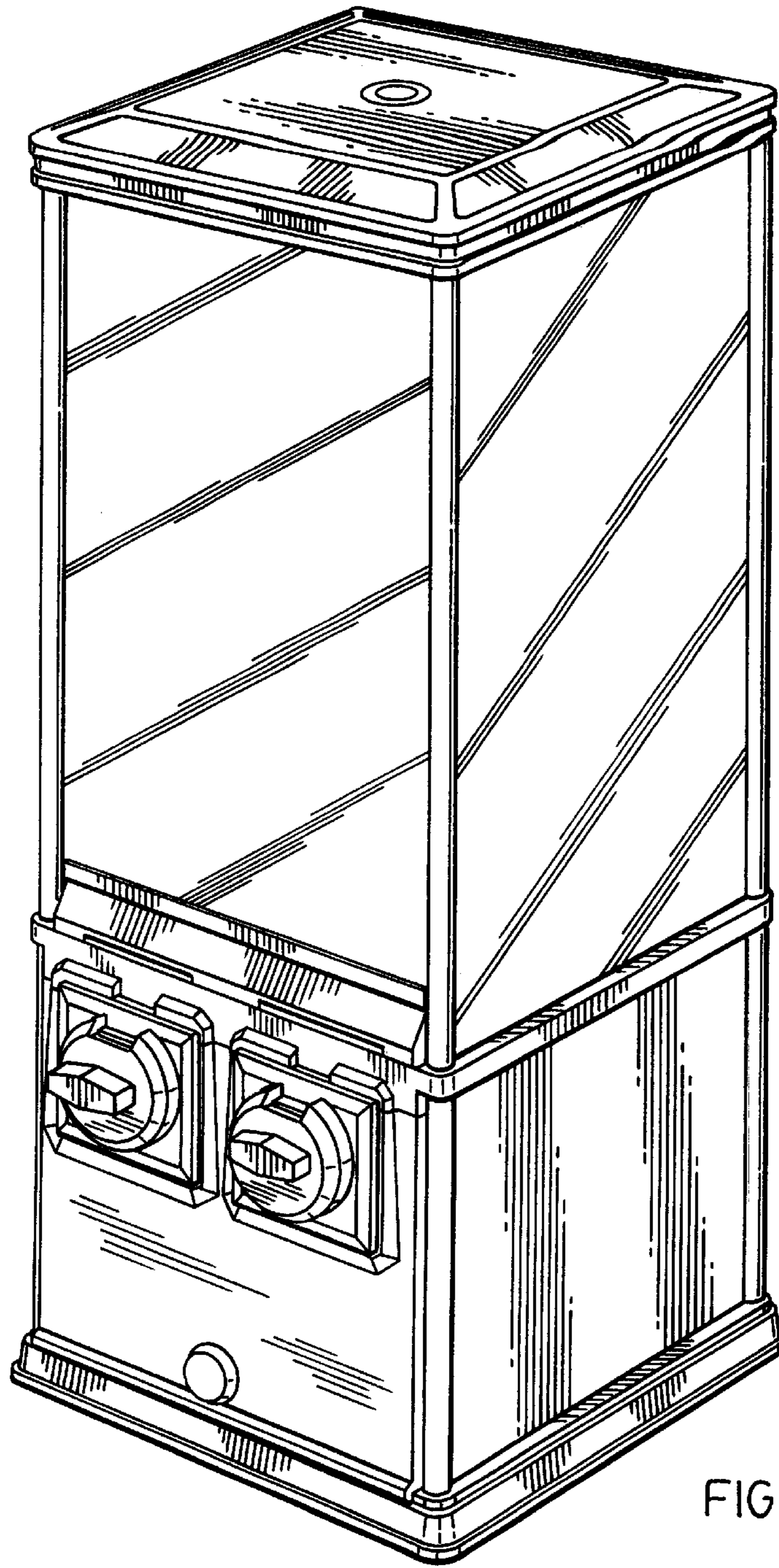


FIG.1.

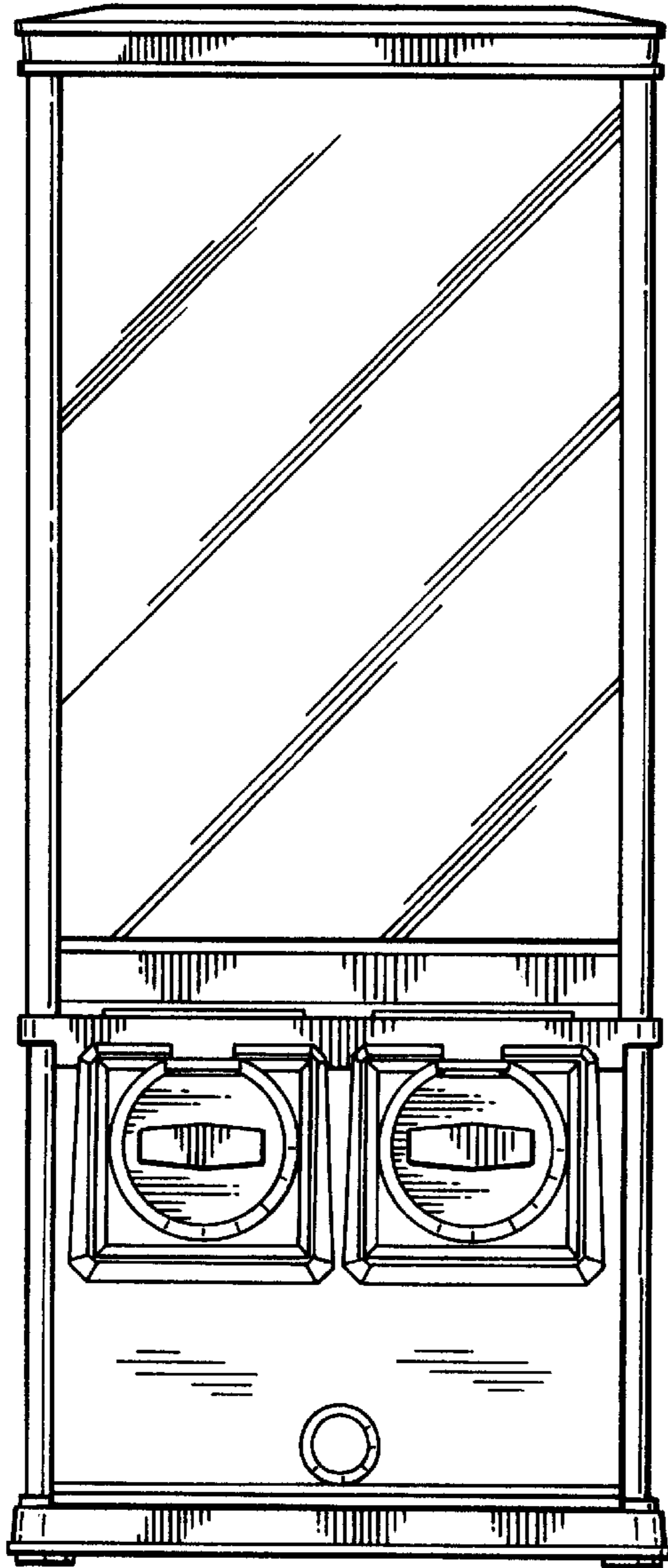


FIG. 2.

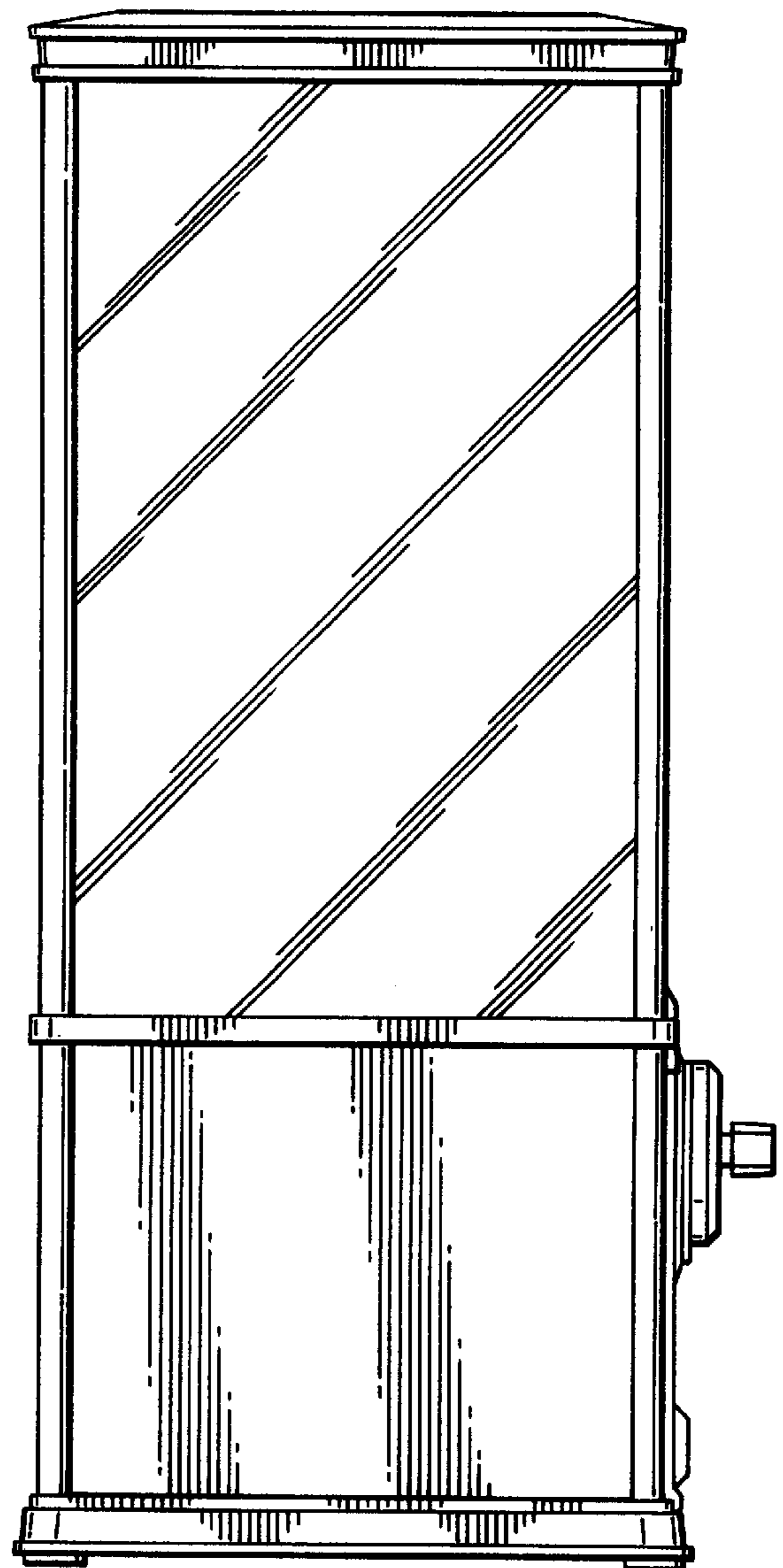


FIG. 3.

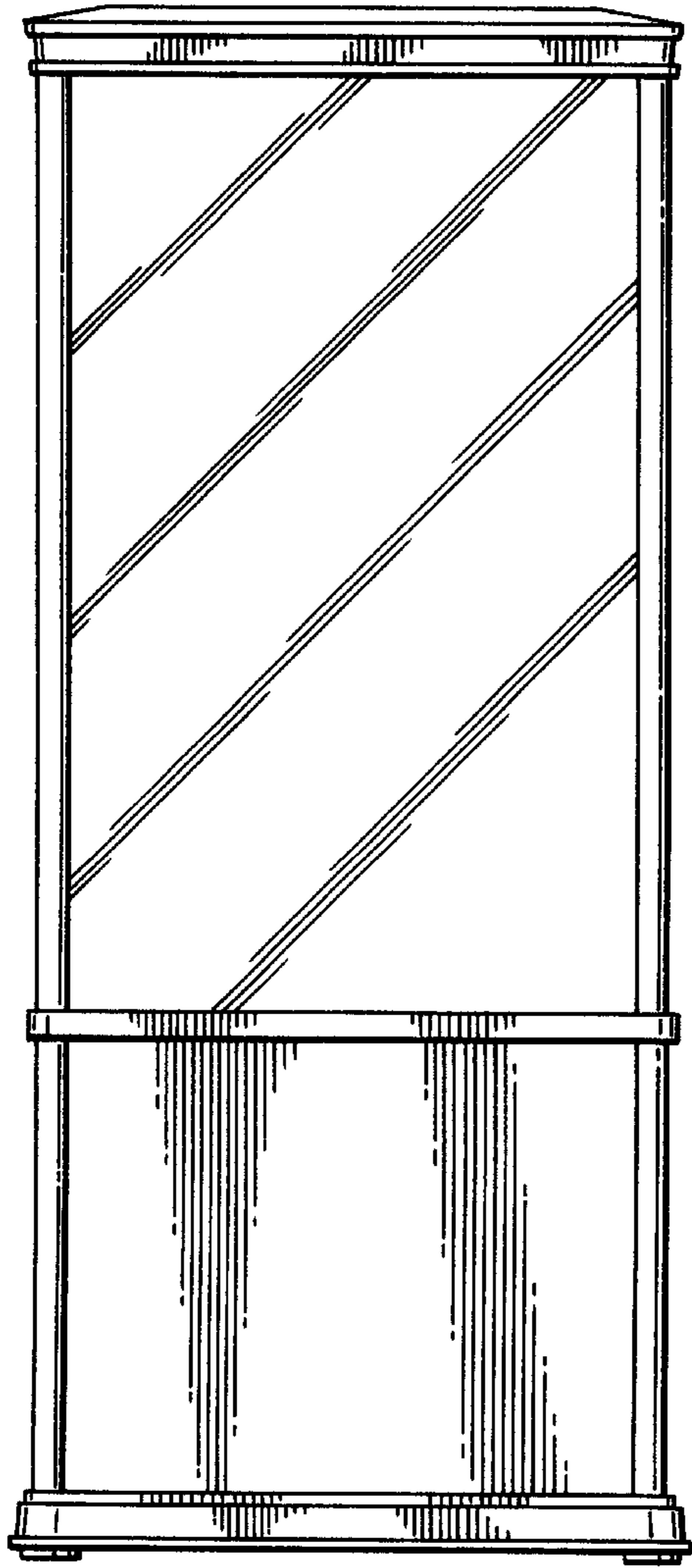


FIG. 4.

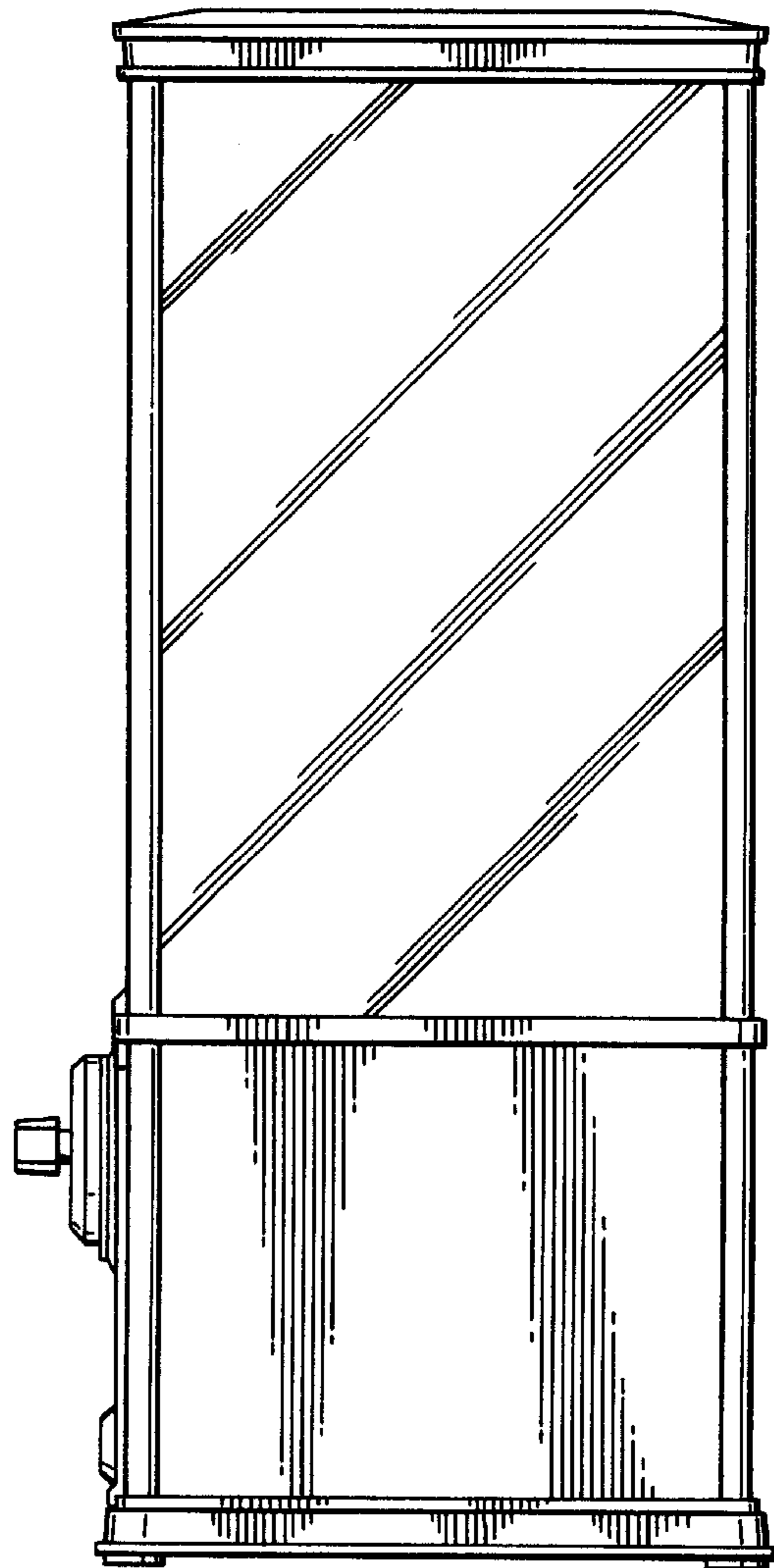


FIG. 5.

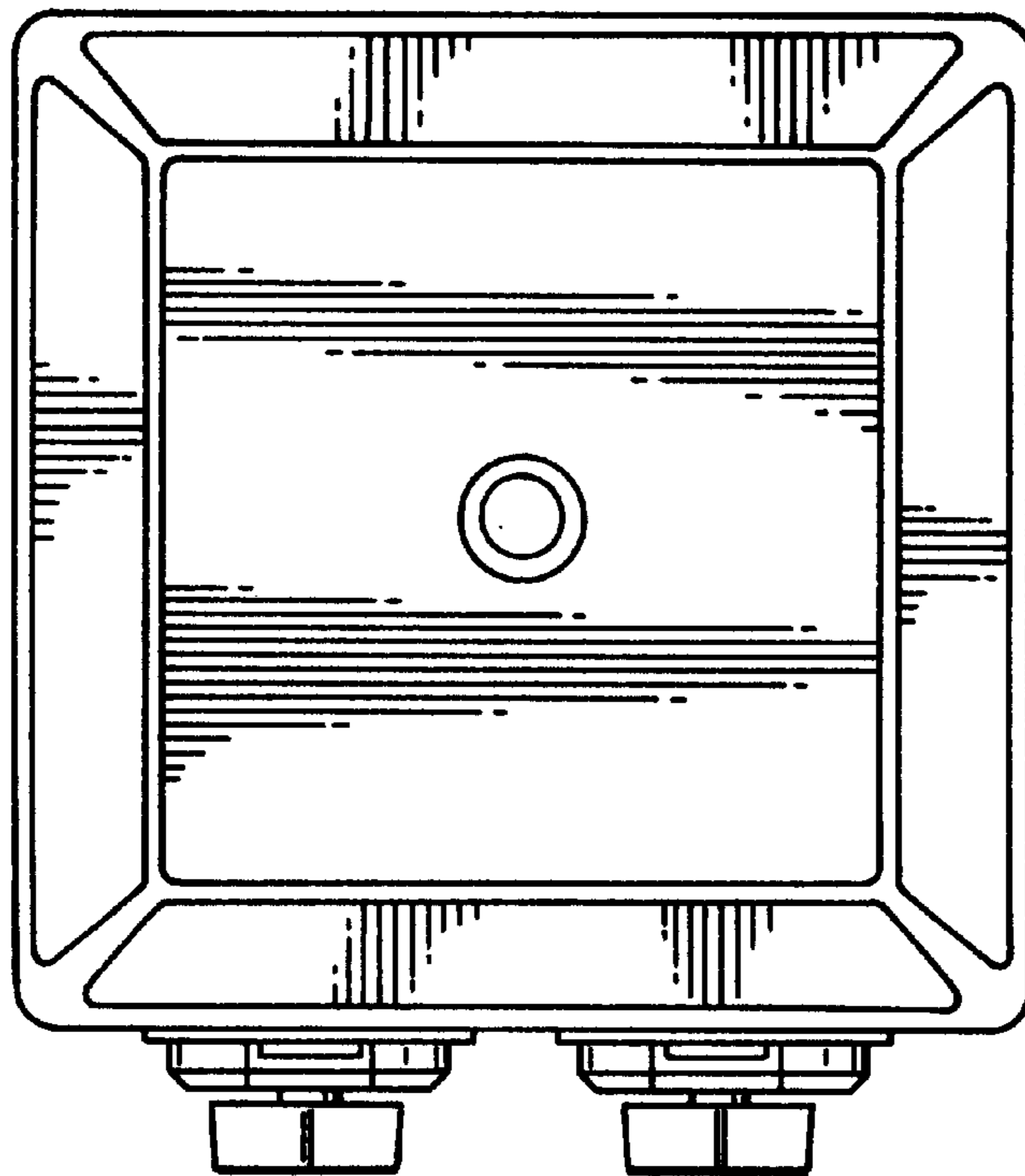


FIG. 6.