



US00D489411S

(12) **United States Design Patent**
Chen

(10) **Patent No.:** **US D489,411 S**

(45) **Date of Patent:** **** May 4, 2004**

(54) **PAPER PUNCH**

(75) Inventor: **Peter Chen**, West Windsor, NJ (US)

(73) Assignee: **Officemate International Corp.**,
Edison, NJ (US)

(**) Term: **14 Years**

(21) Appl. No.: **29/185,432**

(22) Filed: **Jun. 27, 2003**

(51) **LOC (7) Cl.** **19-02**

(52) **U.S. Cl.** **D19/72**

(58) **Field of Search** D8/98; D19/65,
D19/72, 99, 100; 83/166, 167, 145, 468.9,
571, 588, 618, 620, 633, 467.1, 468

(56) **References Cited**

U.S. PATENT DOCUMENTS

1,692,764 A * 11/1928 Salt 83/167
2,200,672 A * 5/1940 Kern 83/167

4,466,322 A * 8/1984 Mori 83/468
D289,776 S * 5/1987 Goertz et al. D19/72
D360,225 S * 7/1995 Yang D19/72

* cited by examiner

Primary Examiner—Martie K. Holtje

(74) *Attorney, Agent, or Firm*—Daniel Kirshner

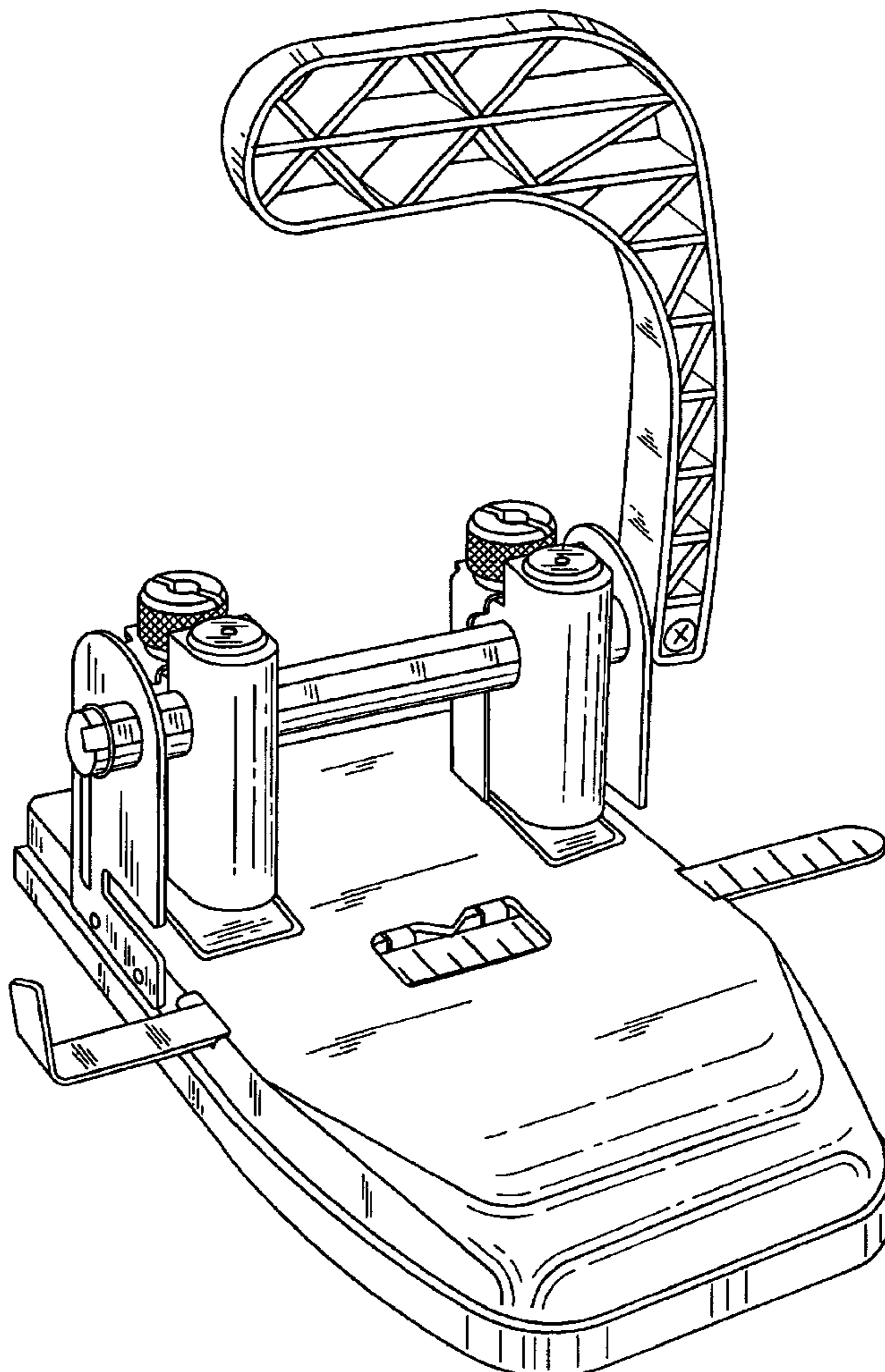
(57) **CLAIM**

The ornamental design for a paper punch, as shown.

DESCRIPTION

FIG. 1 is a front prospective view of the paper punch showing the design;
FIG. 2 is a front elevational view thereof;
FIG. 3 is a back elevational view thereof;
FIG. 4 is a left side elevational view thereof;
FIG. 5 is a right side elevational view thereof;
FIG. 6 is a top plan view thereof; and,
FIG. 7 is a bottom plan view thereof.

1 Claim, 7 Drawing Sheets



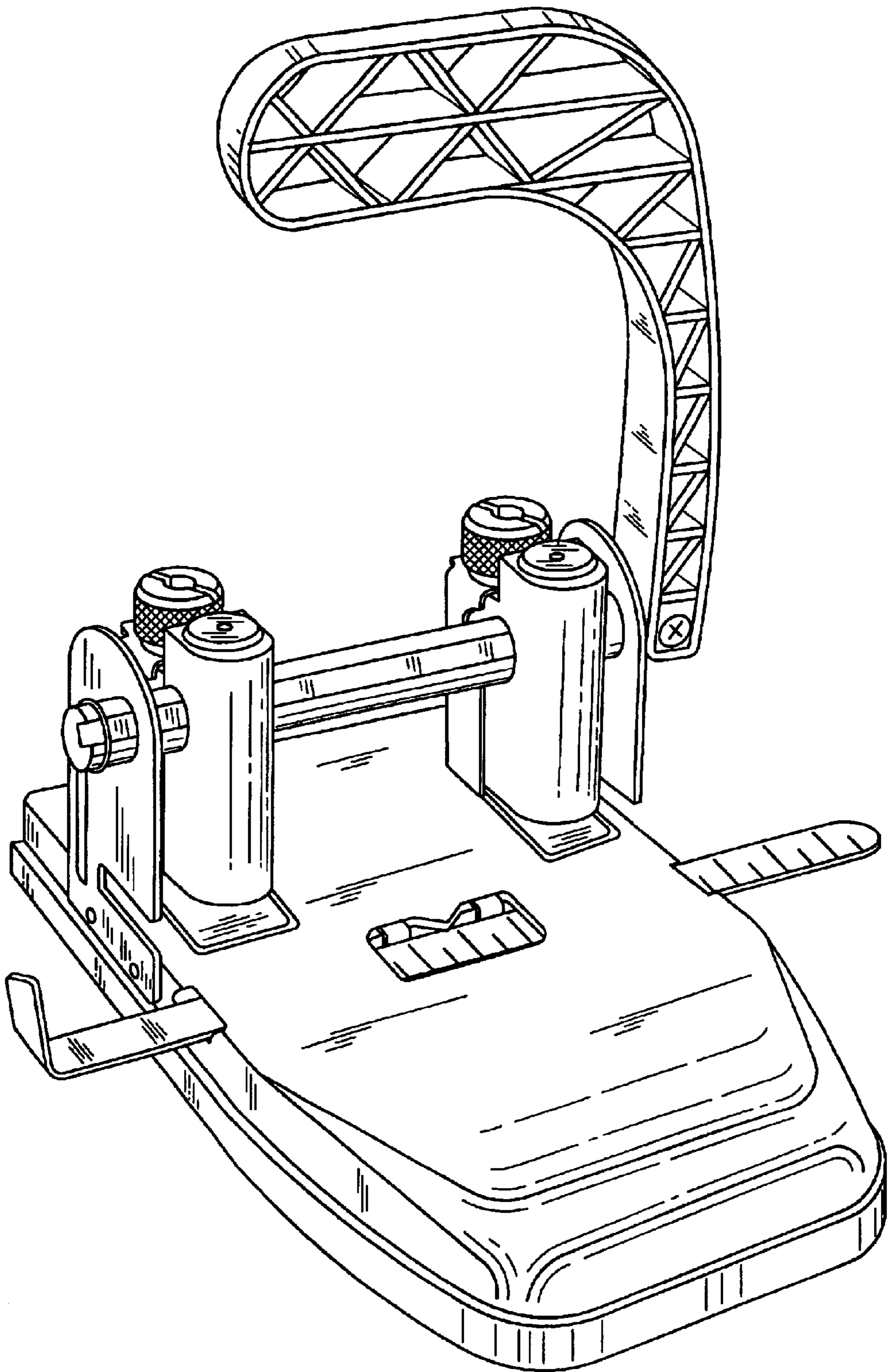


FIG. 1

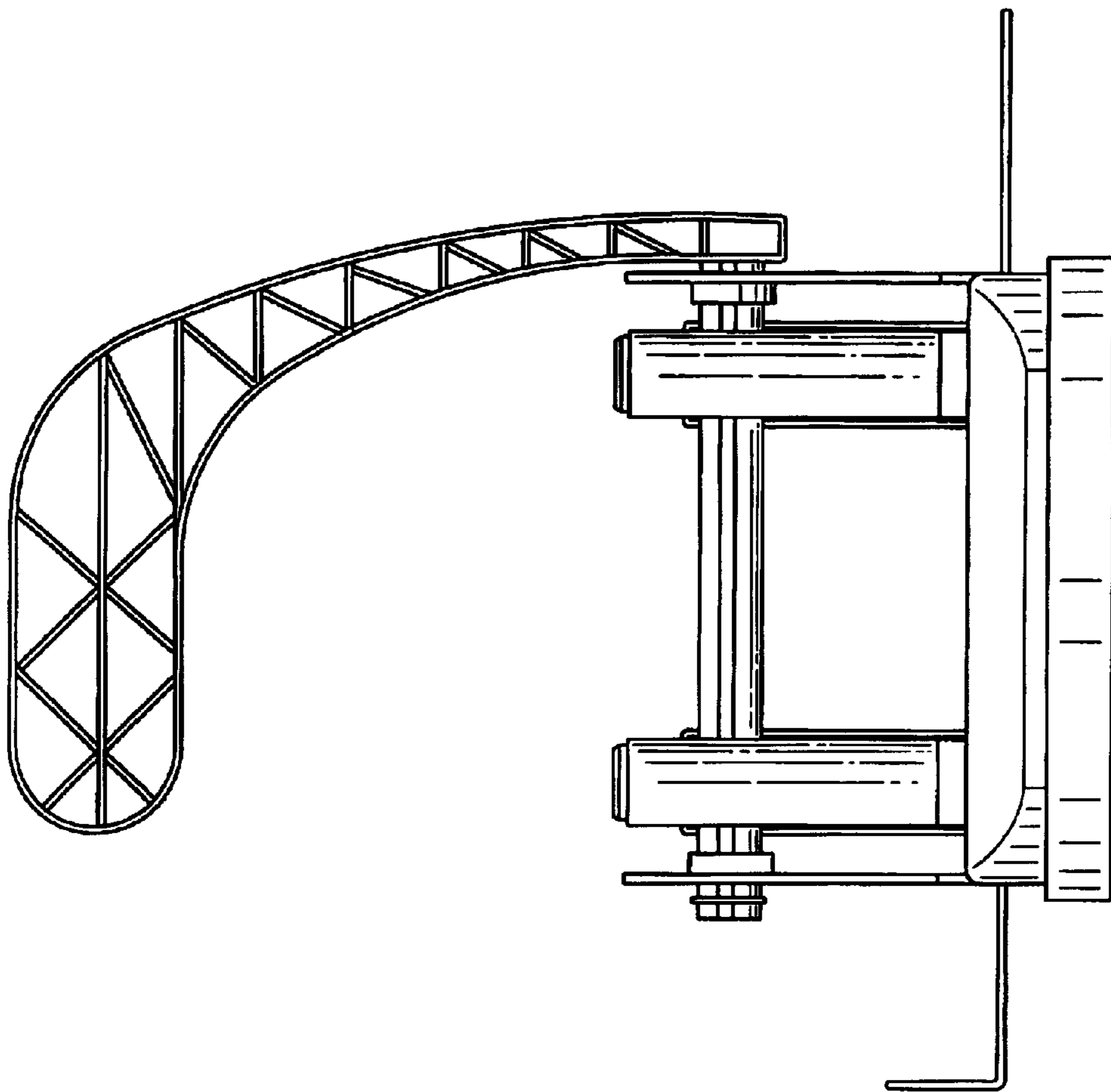


FIG. 2

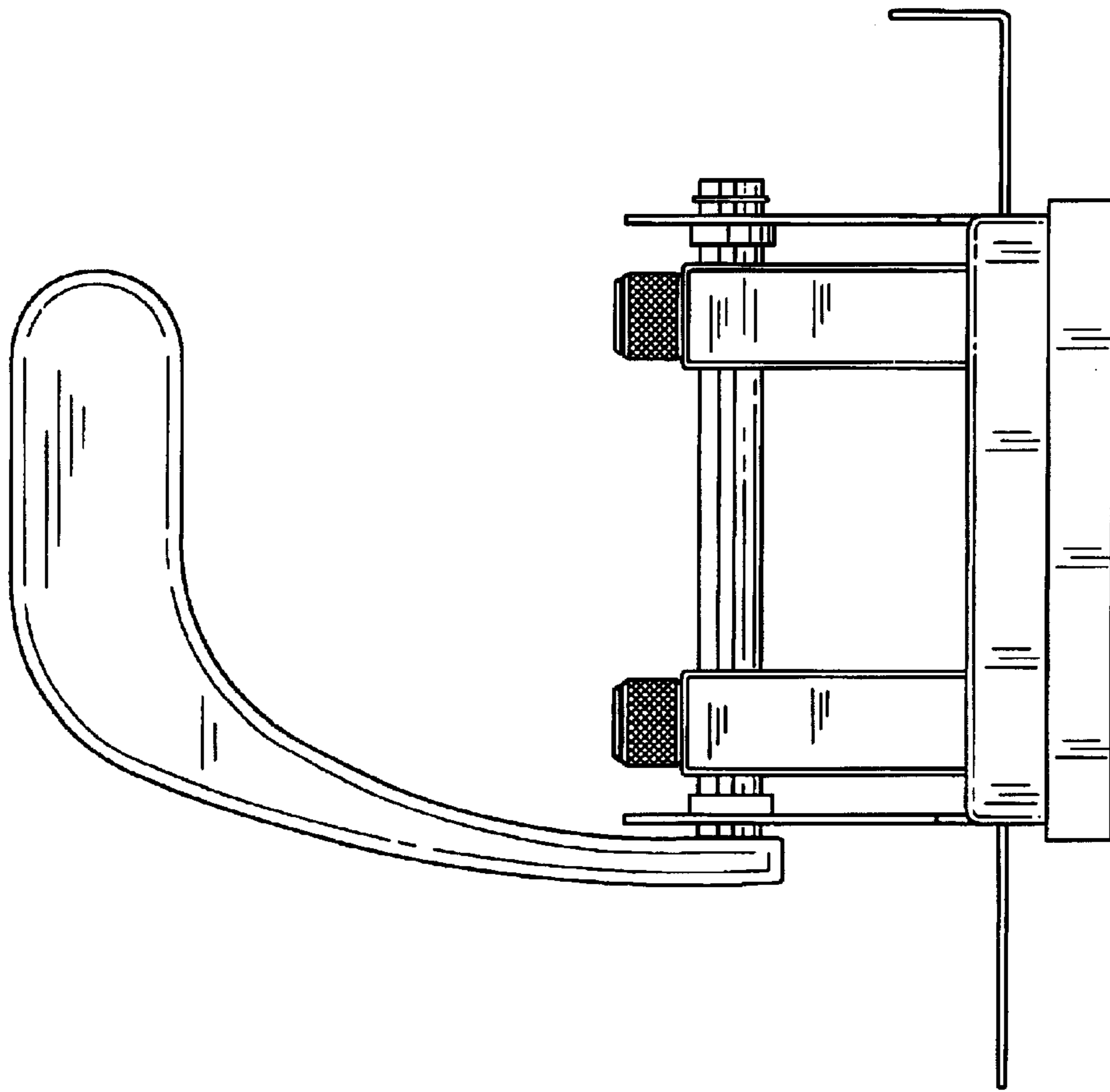
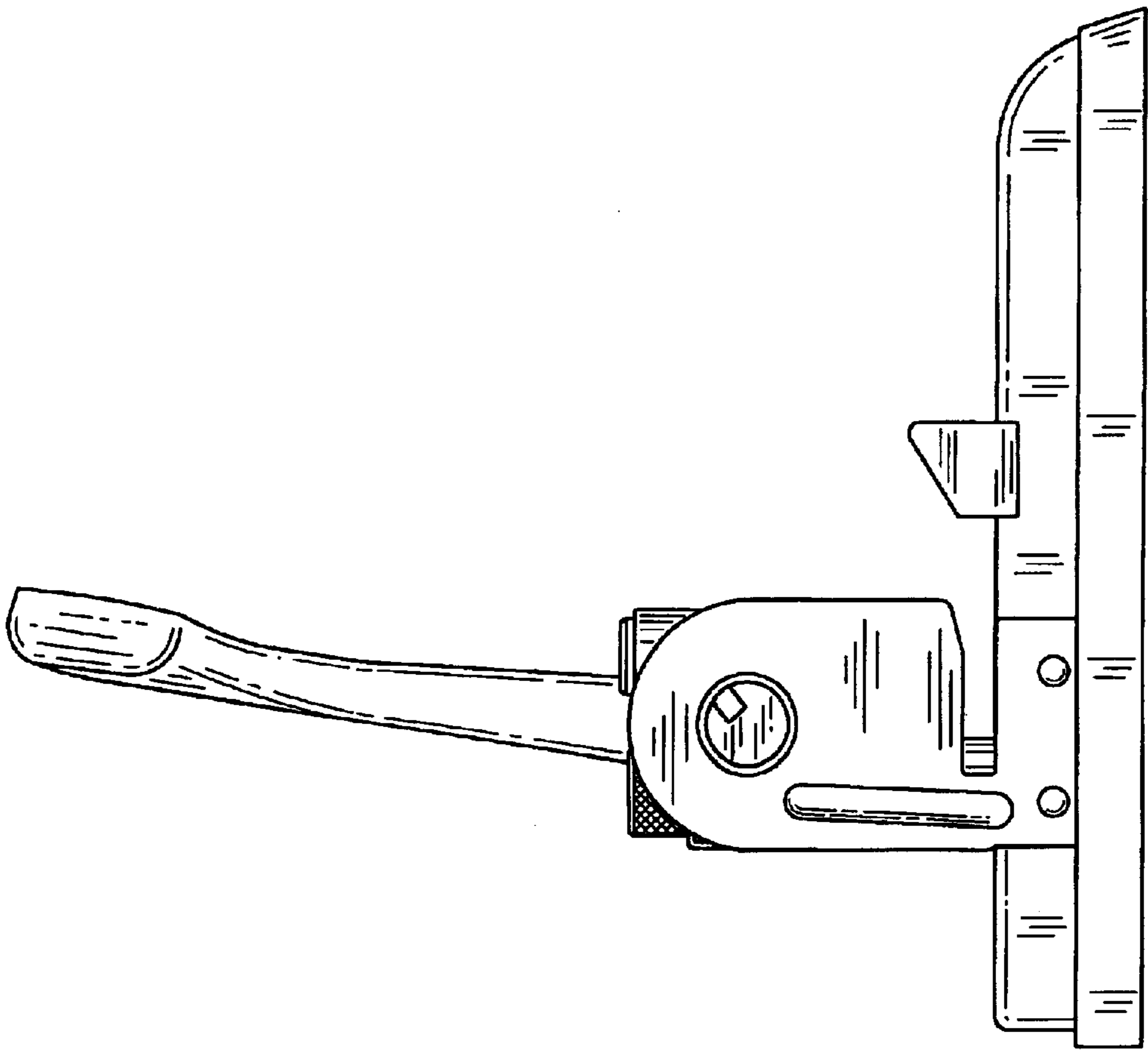


FIG. 3

FIG. 4



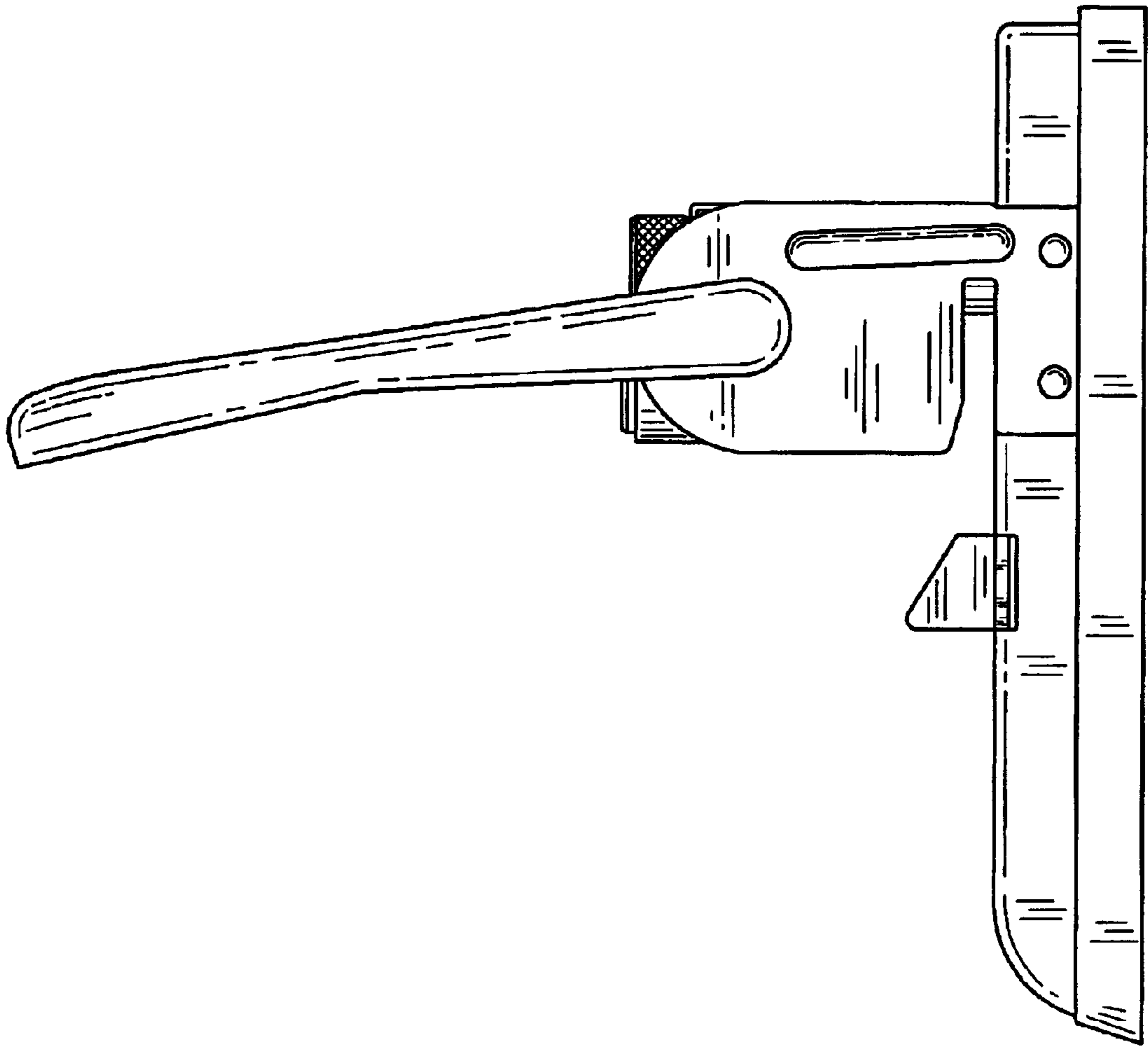


FIG. 5

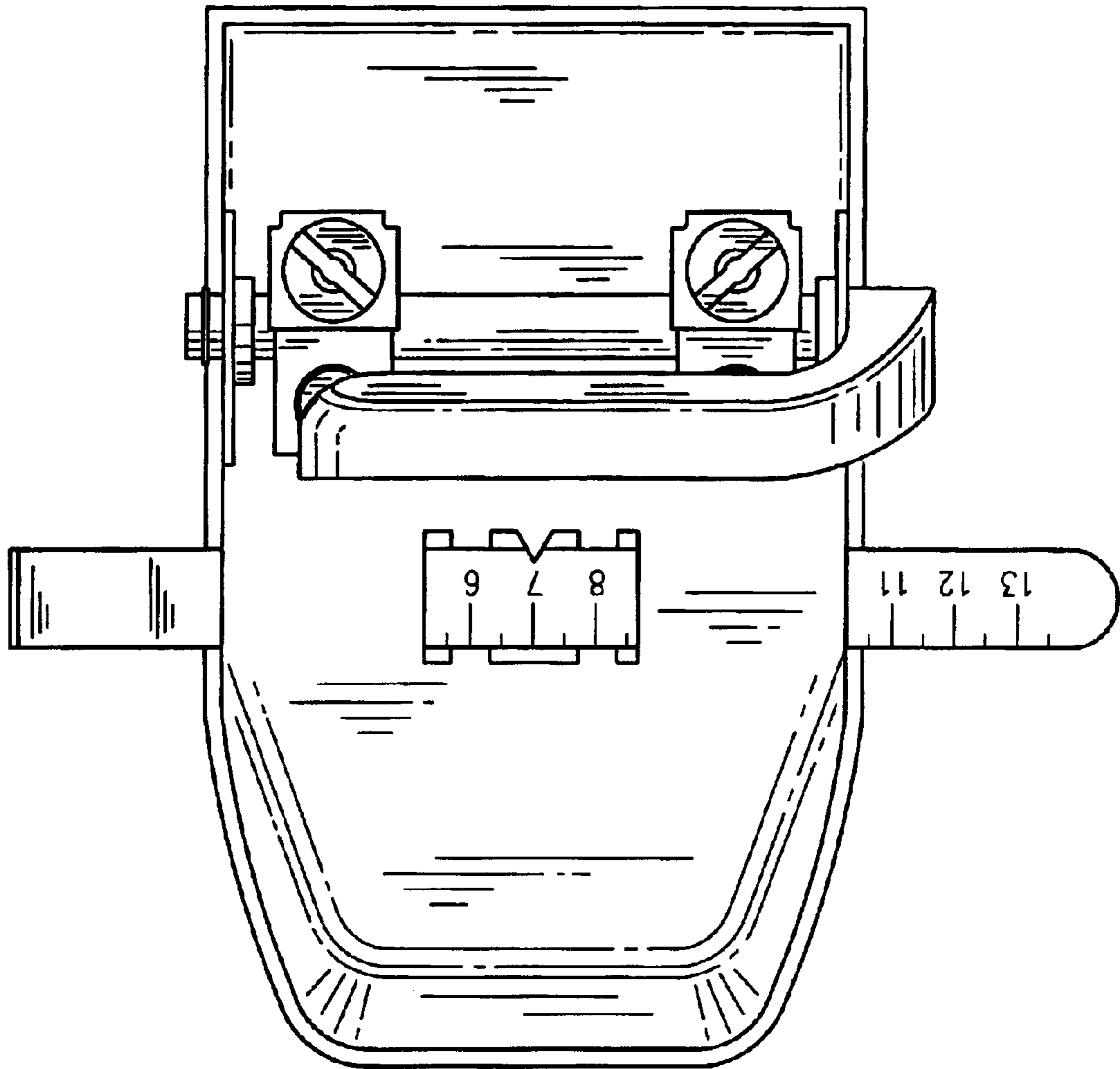


FIG. 6

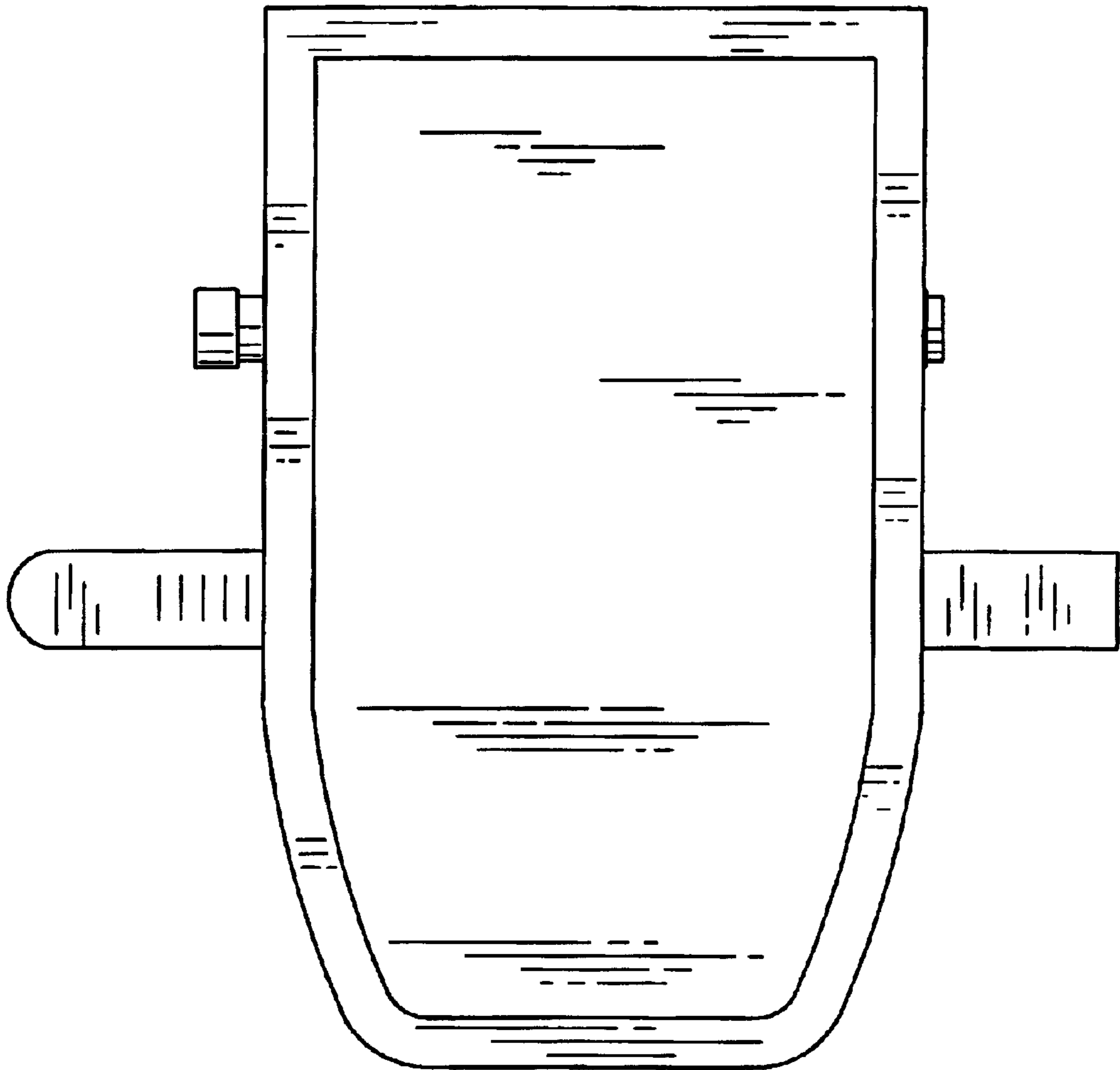


FIG. 7