



US00D489410S

(12) **United States Design Patent**
Ivey

(10) **Patent No.:** **US D489,410 S**

(45) **Date of Patent:** **** May 4, 2004**

(54) **DOCUMENT HOLDER**

(76) Inventor: **Jason A. Ivey**, 356 Coronado Ave.
#306, Long Beach, CA (US) 90814

(**) Term: **14 Years**

(21) Appl. No.: **29/174,507**

(22) Filed: **Jan. 21, 2003**

(51) **LOC (7) Cl.** **19-02**

(52) **U.S. Cl.** **D19/65; D19/88; D19/90**

(58) **Field of Search** **D19/65, 75, 78,**
D19/86, 88, 90, 91, 99, 100; 248/205.5,
205.6, 441.1, 442.2; 40/661.01; 24/67 R,
67.1-67.11, 545, DIG. 10, 546-549; 116/234-240;
335/285; D8/395

(56) **References Cited**

U.S. PATENT DOCUMENTS

866,141 A * 9/1907 Kay, Jr. 24/67.9
D49,616 S * 9/1916 McKee D19/99
2,781,566 A * 2/1957 Hammer 24/67.9
3,827,020 A * 7/1974 Okamoto 335/285
D235,174 S * 5/1975 Gardner D19/65 X

4,287,676 A * 9/1981 Weinhaus 40/661.01
4,934,648 A * 6/1990 Yueh 248/442.2
D311,212 S * 10/1990 Tsuji D19/65
D365,363 S * 12/1995 Terino D19/34
D372,937 S * 8/1996 Anders D19/65
D422,025 S * 3/2000 Dembicks D19/65

* cited by examiner

Primary Examiner—Martie K. Holtje

(74) *Attorney, Agent, or Firm*—Edgar W. Averill, Jr.

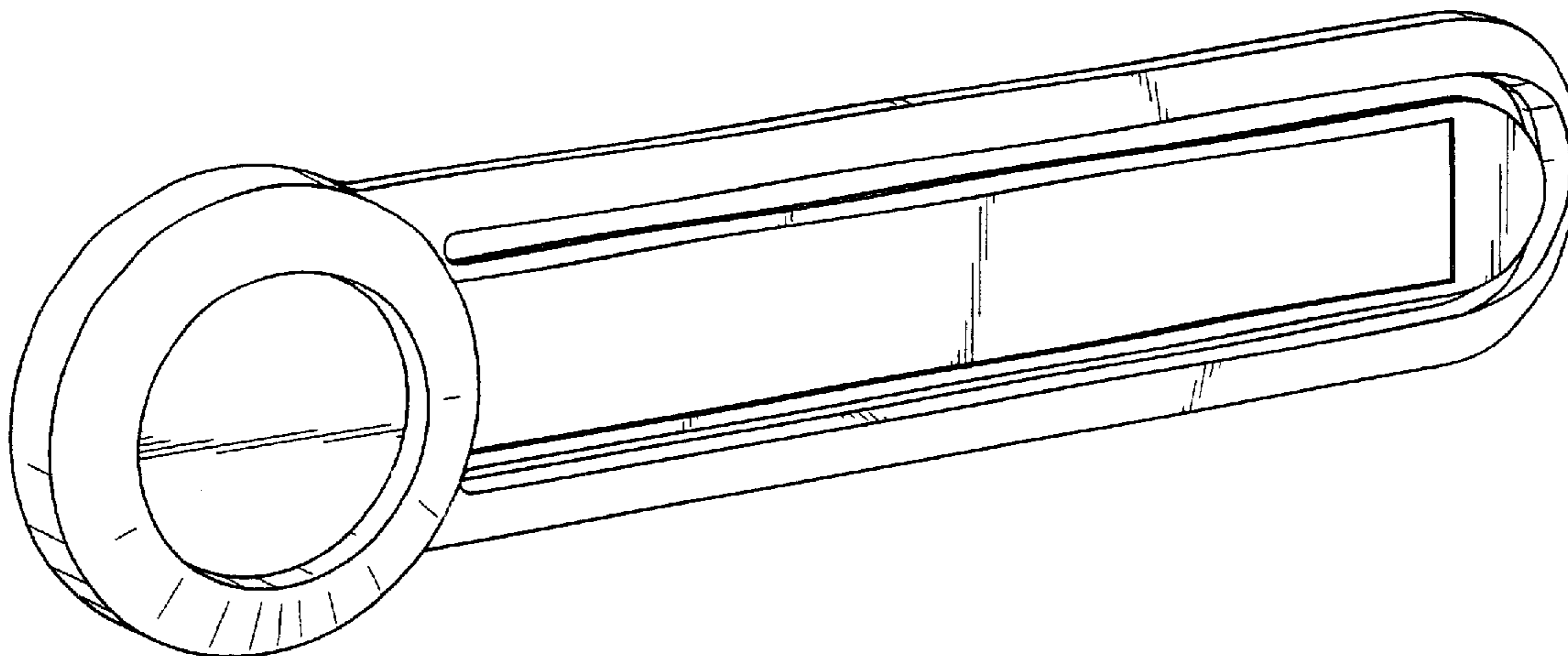
(57) **CLAIM**

The ornamental design for a document holder, as shown and described.

DESCRIPTION

FIG. 1 is a perspective view showing the front, left side and top of the document holder showing my new design;
FIG. 2 is a front view thereof;
FIG. 3 is a rear view thereof;
FIG. 4 is a left side thereof;
FIG. 5 is a right side thereof; and,
FIG. 6 is a bottom view thereof.

1 Claim, 2 Drawing Sheets



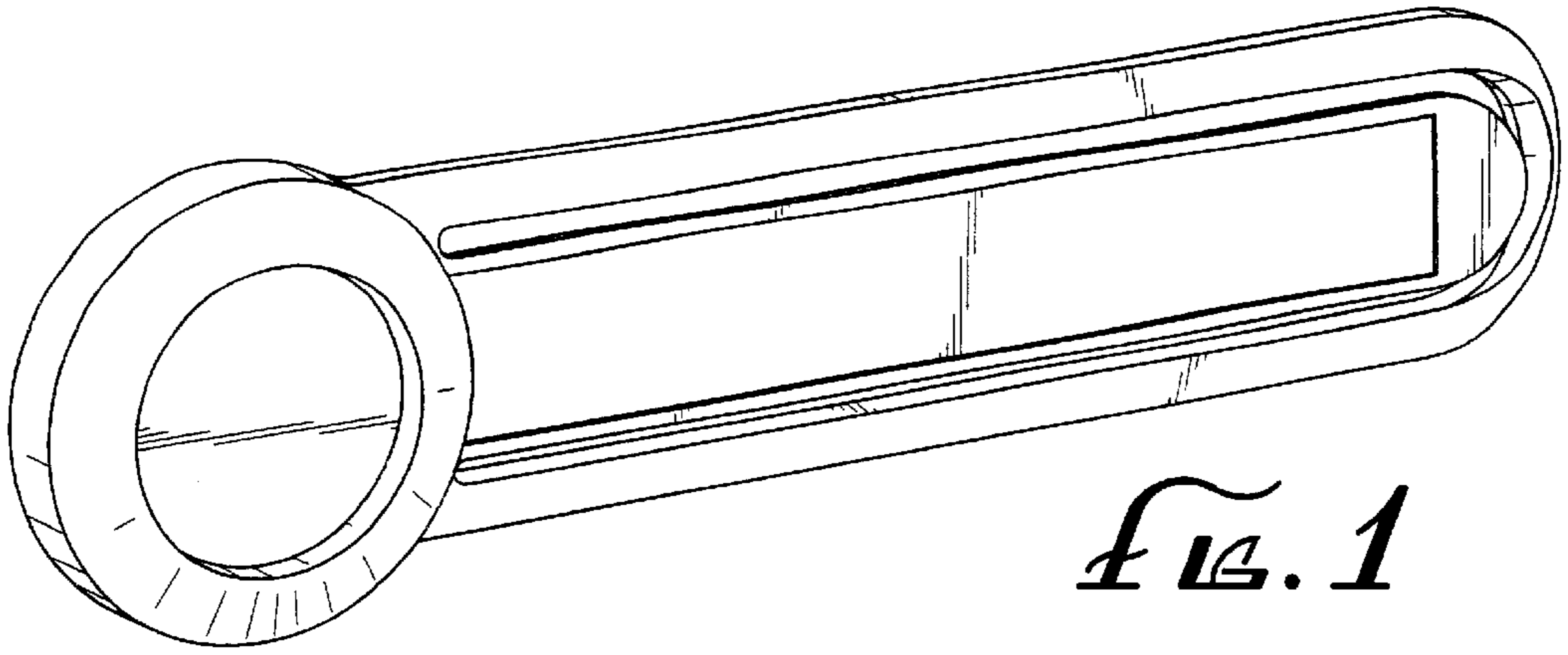


FIG. 1

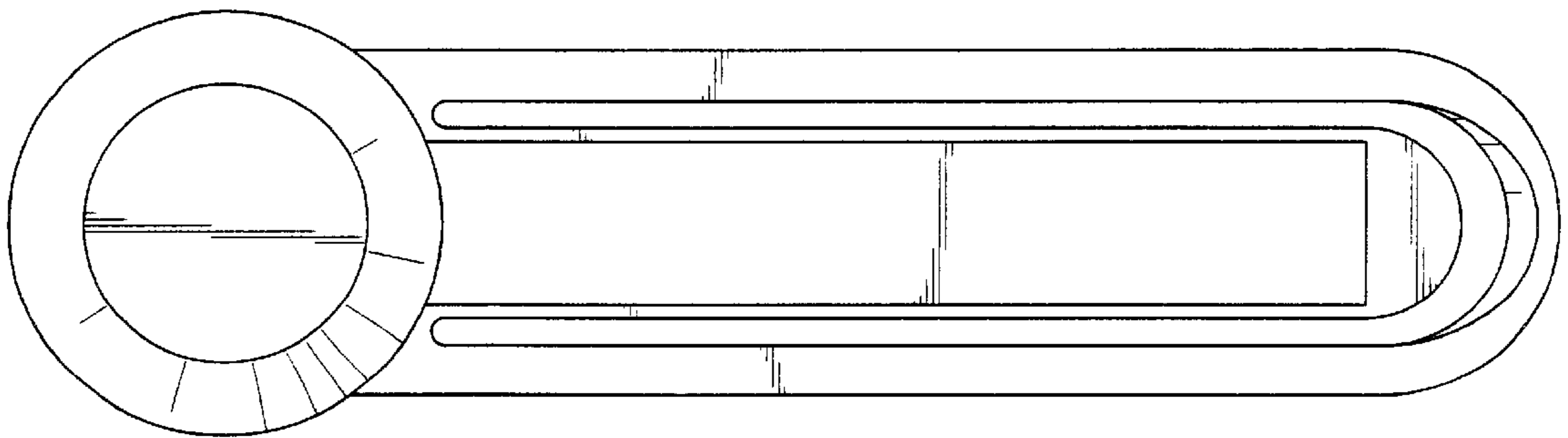


FIG. 2

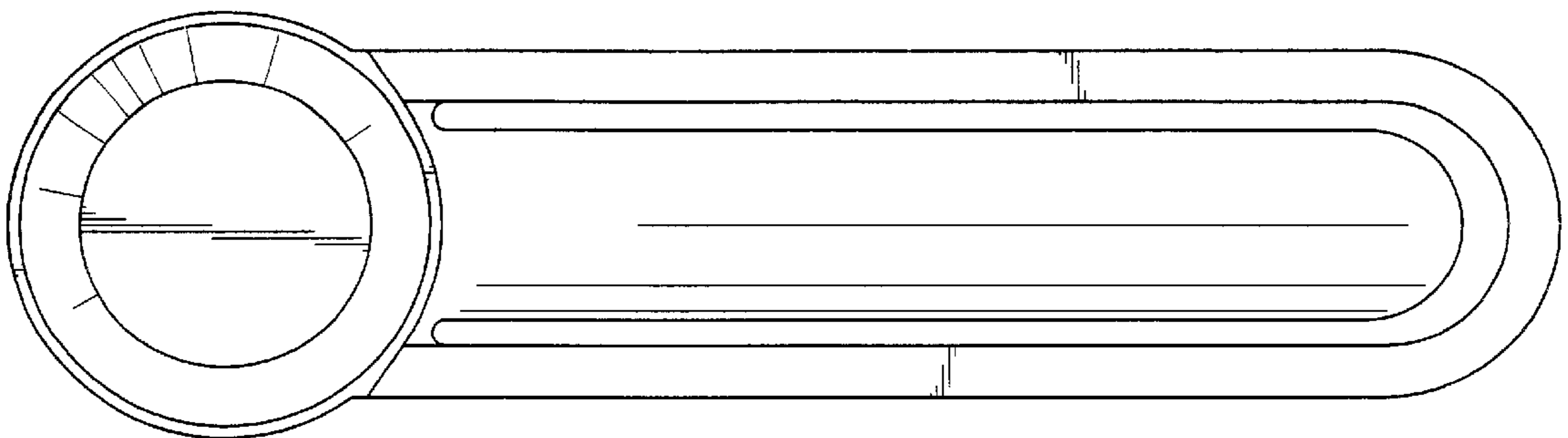


FIG. 3

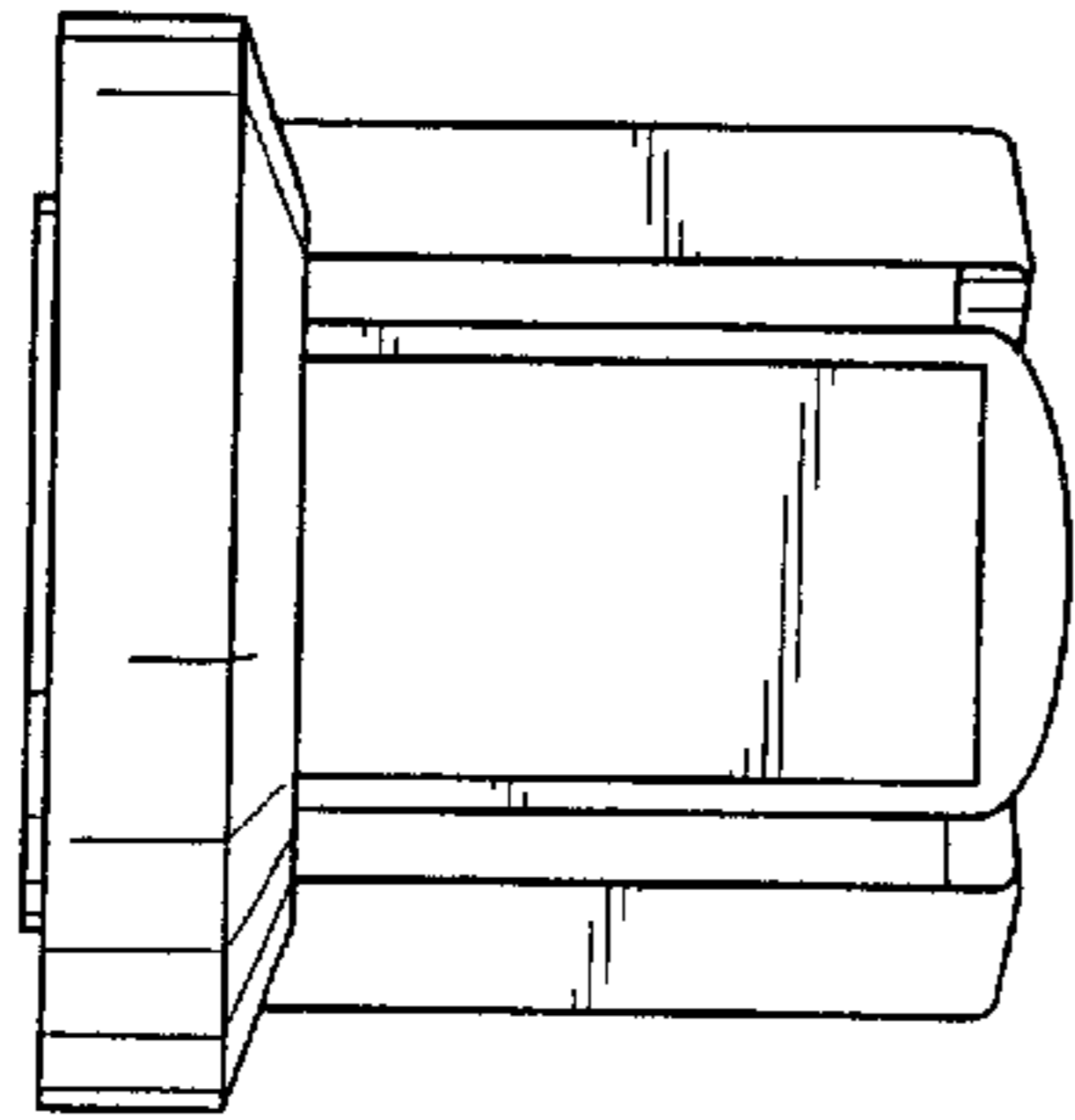


FIG. 4

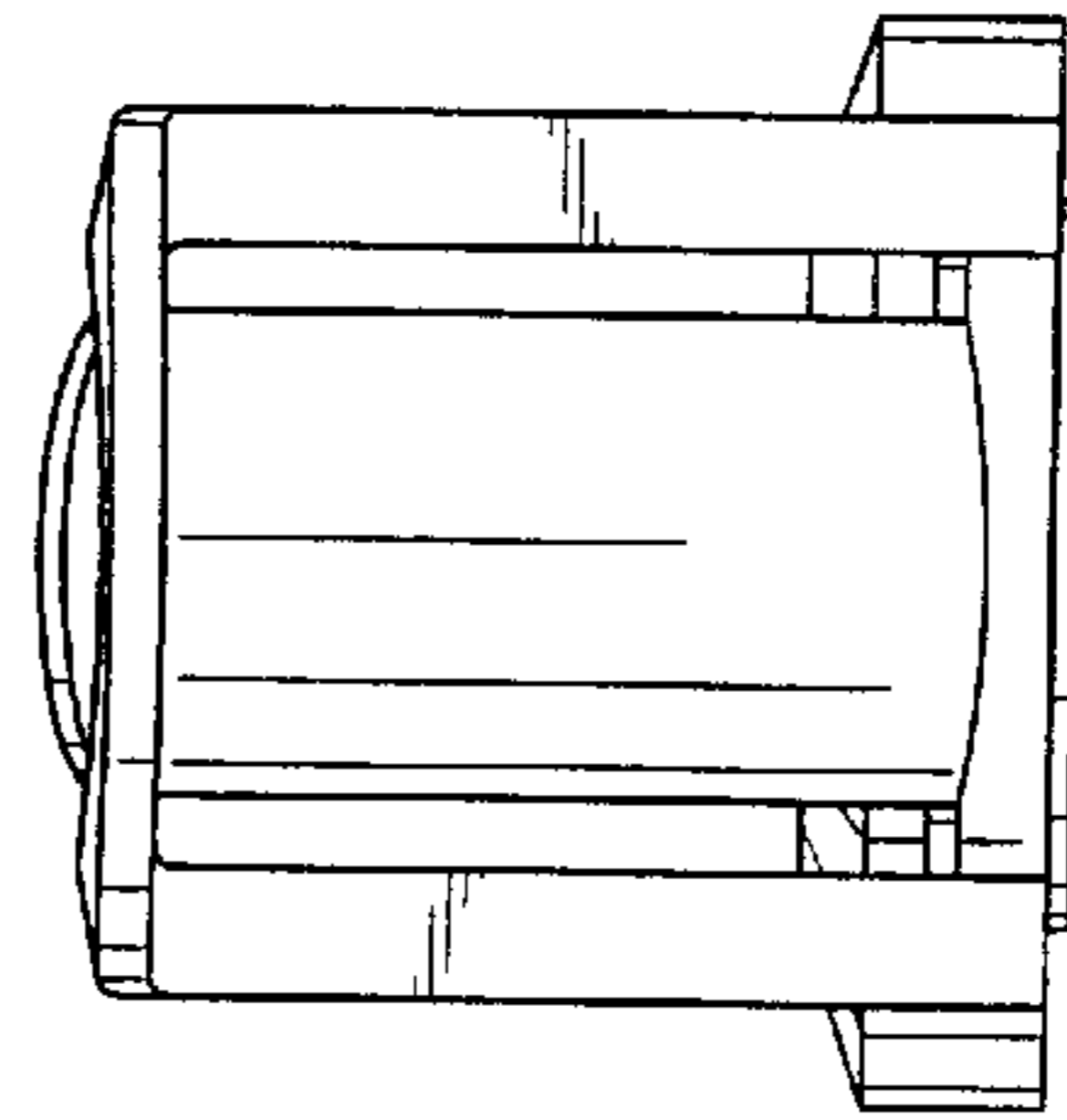


FIG. 5

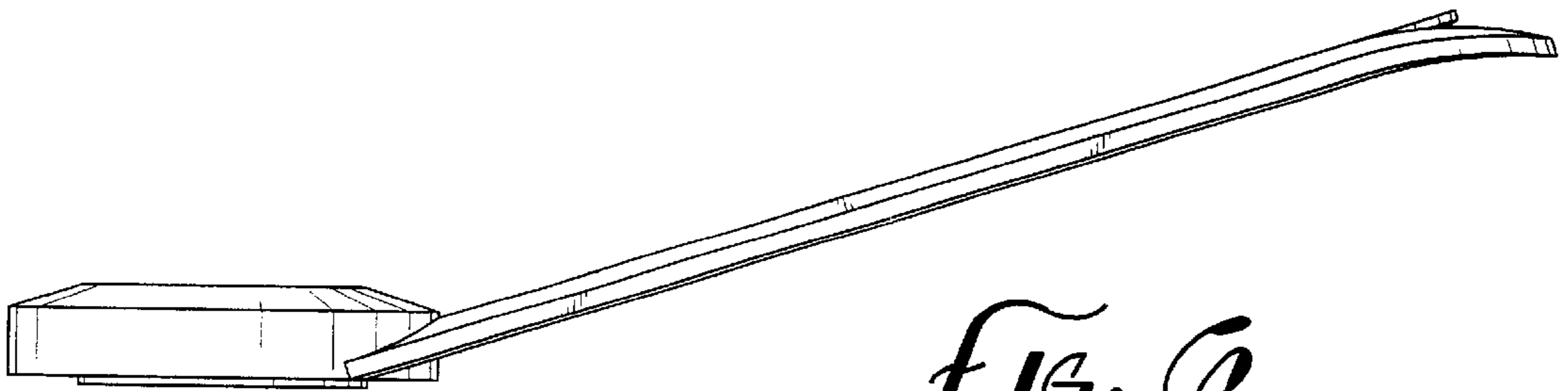


FIG. 6