



US00D489409S

(12) **United States Design Patent** (10) **Patent No.:** **US D489,409 S**
Crawford et al. (45) **Date of Patent:** **** May 4, 2004**

(54) **ERASER**

D437,884 S * 2/2001 Isaac D19/35

* cited by examiner

(76) Inventors: **Peter Mitchell Crawford**, Unit 21,
62-70 Parramatta Street, Cronulla,
Sydney, NSW (AU), 2230; **Andrew
Stewart Dykes**, Unit 21, 62-70
Parramatta Street, Cronulla, Sydney,
NSW (AU), 2230

Primary Examiner—Martie K. Holtje
(74) *Attorney, Agent, or Firm*—Park & Sutton LLP; John
K. Park

(57) **CLAIM**

(**) **Term:** **14 Years**

The ornamental design for an eraser, as shown and
described.

(21) **Appl. No.:** **29/141,323**

DESCRIPTION

(22) **Filed:** **May 3, 2001**

FIG. 1 is an isometric view of a first embodiment;
FIG. 2 is a view similar to FIG. 1 but viewed from the
opposite direction;
FIG. 3 is a top plan view of the embodiment shown in FIG.
1;
FIG. 4 is a front elevational view of the embodiment shown
in FIG. 1;
FIG. 5 is a bottom plan view of the embodiment shown in
FIG. 1;
FIG. 6 is a right side elevational view of the embodiment
shown in FIG. 1; and,
FIG. 7 is a left side elevational view of the embodiment
shown in FIG. 1.

(30) **Foreign Application Priority Data**

Nov. 6, 2000 (AU) 3683/00

(51) **LOC (7) Cl.** **19-06**

(52) **U.S. Cl.** **D19/53**

(58) **Field of Search** D19/35, 36, 53,
D19/65, 41-51, 54-58; D28/7; D4/137;
D24/188-190; 15/3.53, 105.51, 424, 425-434;
401/52, 195, 261, 266

The rear elevational view of the embodiment shown in FIG.
1 is omitted since it is a mirror image of FIG. 4.

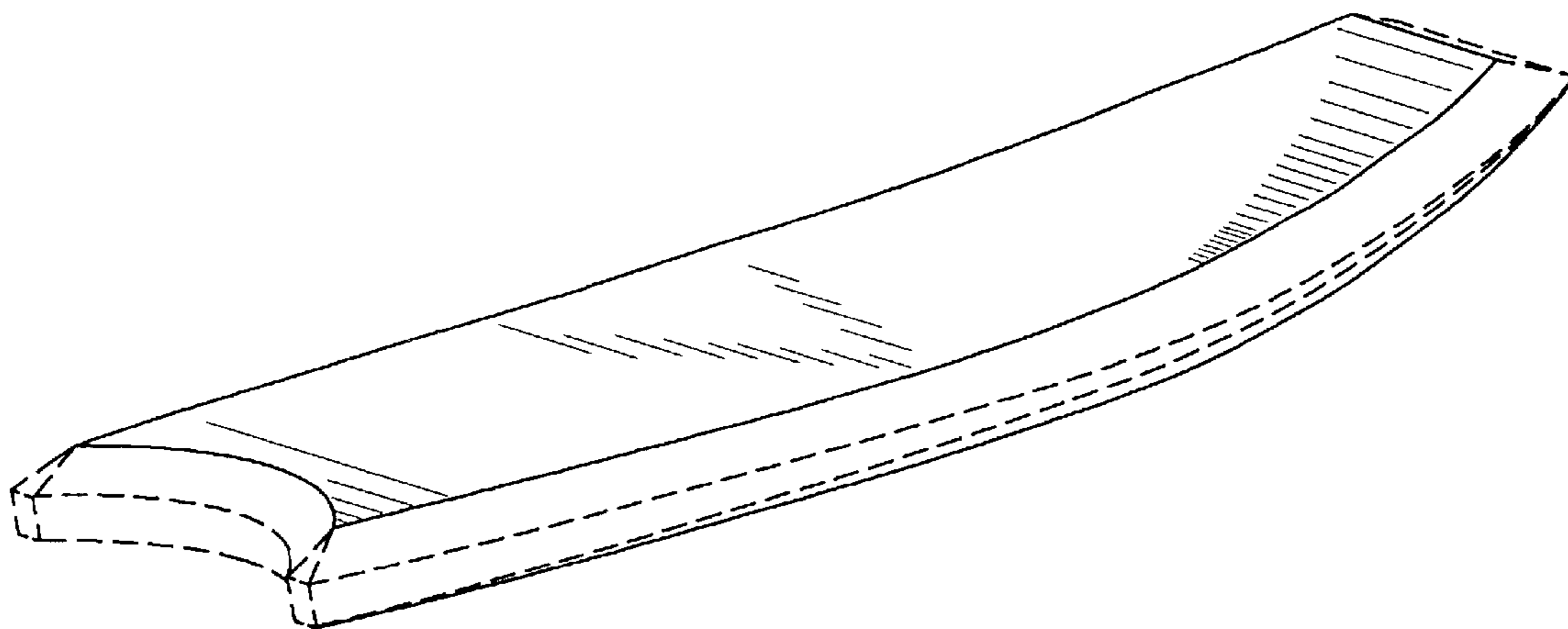
(56) **References Cited**

U.S. PATENT DOCUMENTS

D30,861 S * 5/1899 Burt D24/190
994,759 A * 6/1911 Lamoreux 15/105.51
5,084,931 A * 2/1992 Kuhlcke 15/244.1
D410,493 S * 6/1999 Leveen et al. D19/53

The broken lines showing of portions of an eraser in FIGS.
1, 2, 3, 4, 5, 6, and 7 are for illustration purpose only and
form no part of the claimed design.

1 Claim, 3 Drawing Sheets



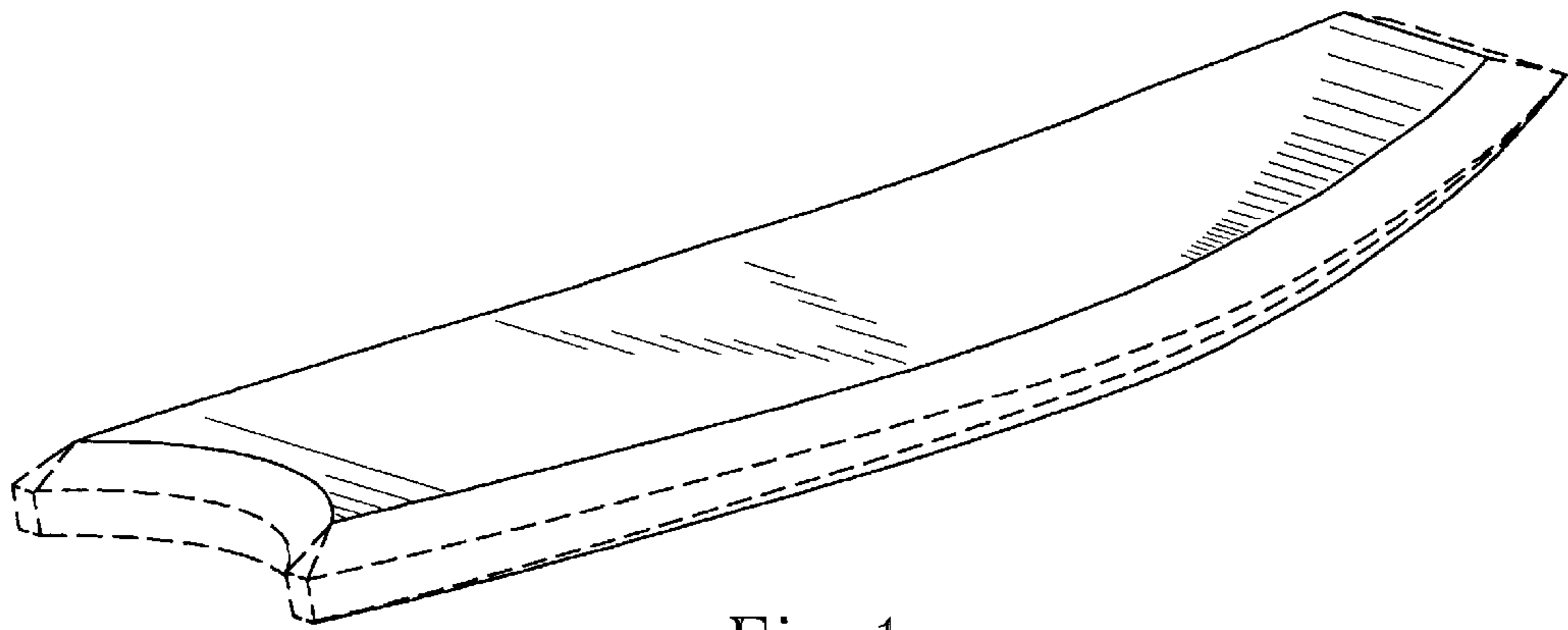


Fig.1

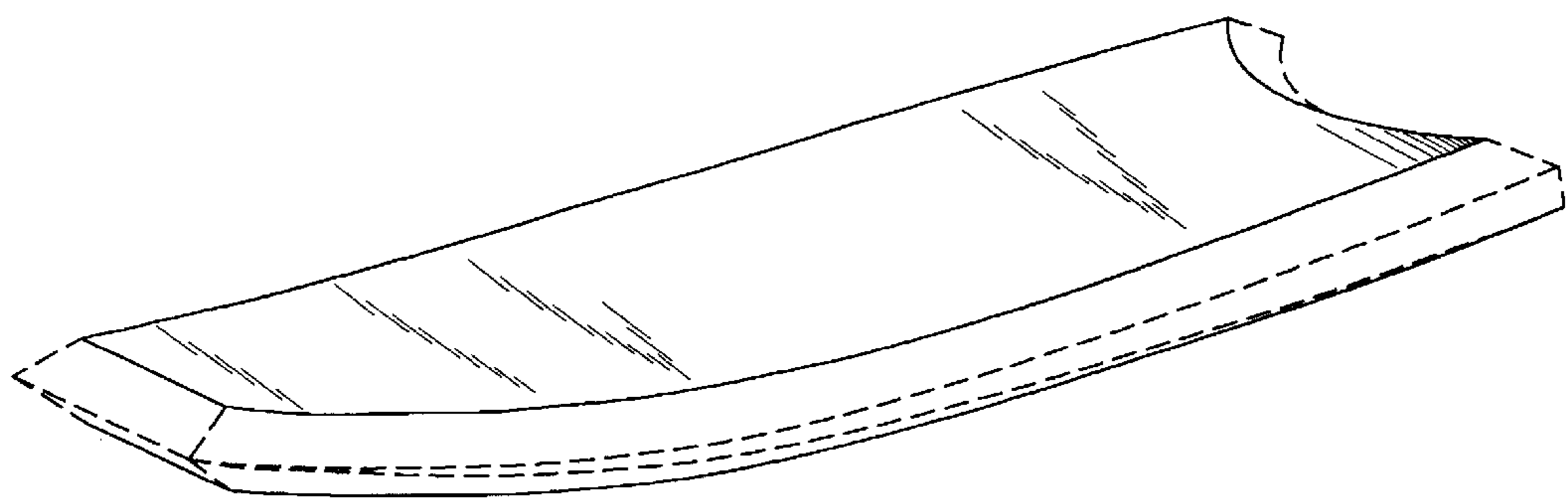


Fig.2

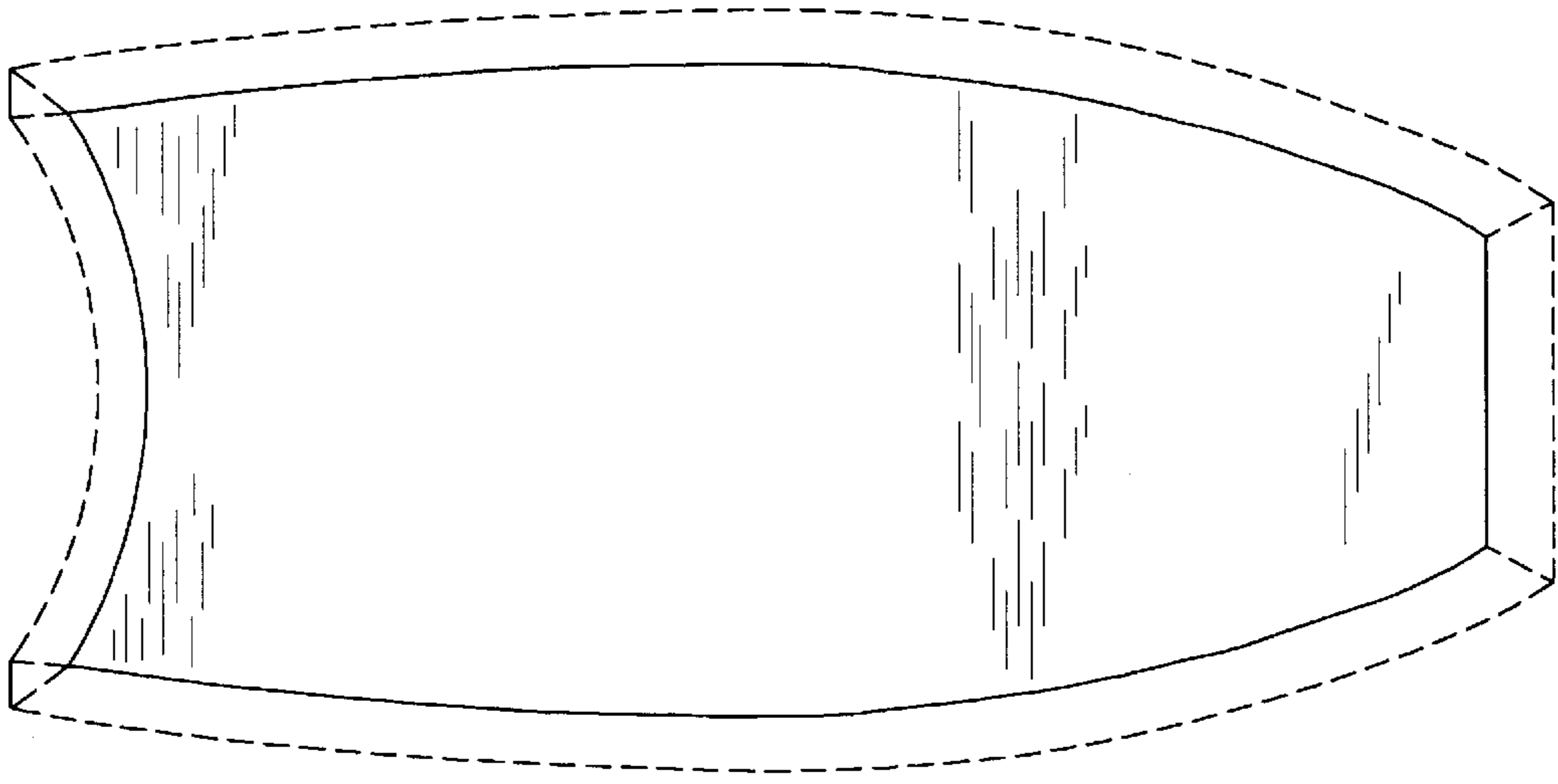


Fig.3

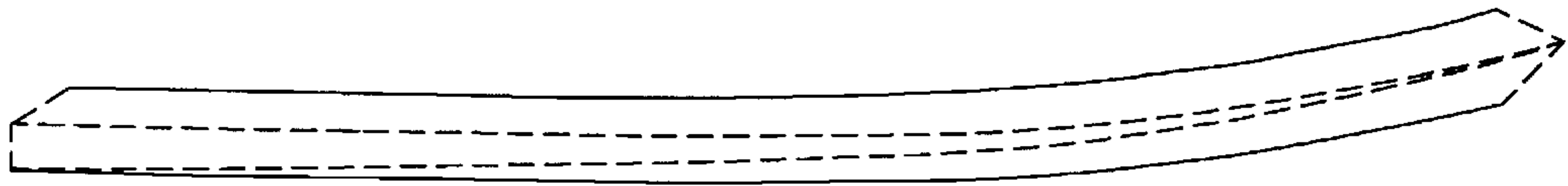


Fig.4

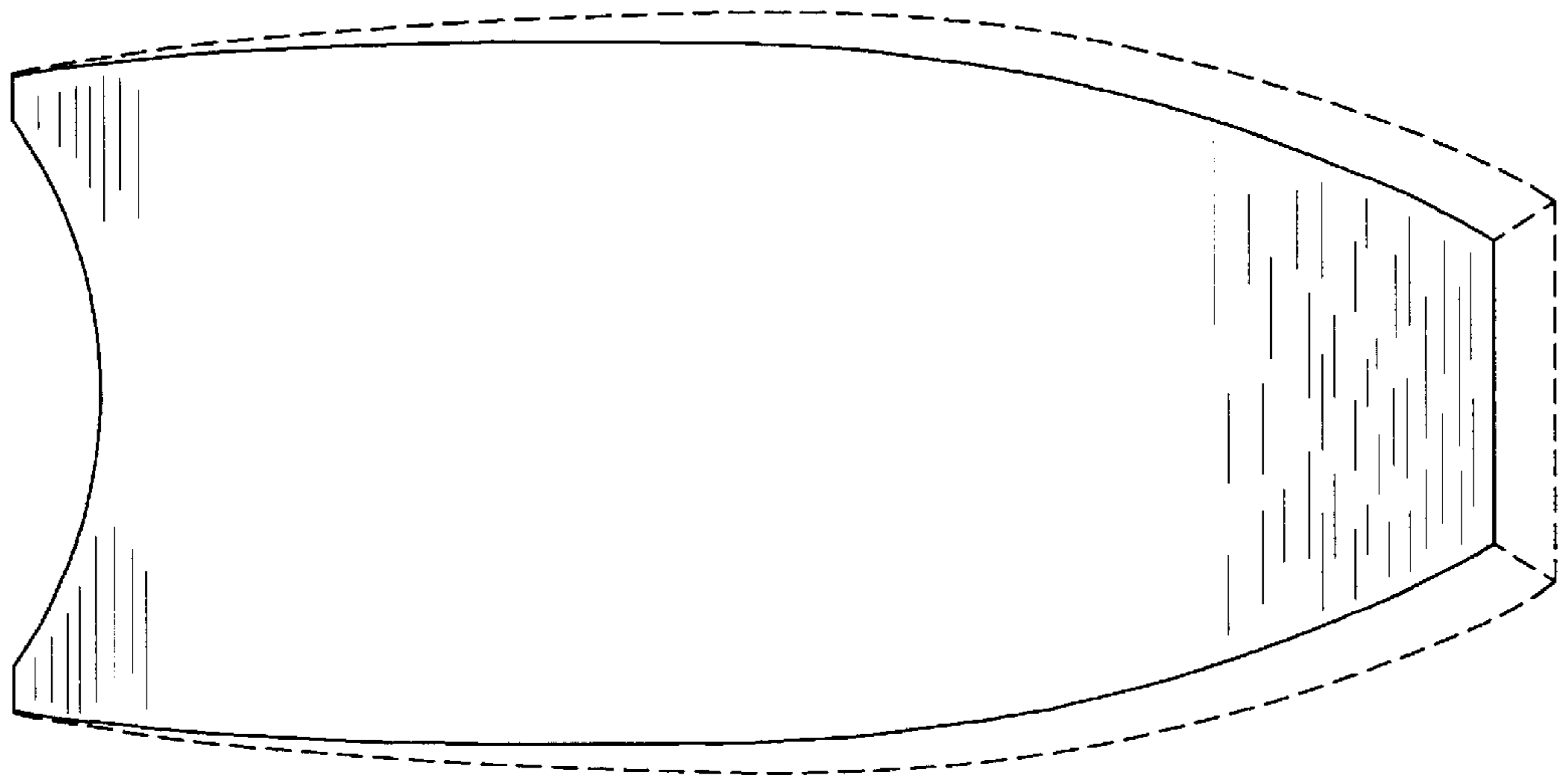


Fig.5

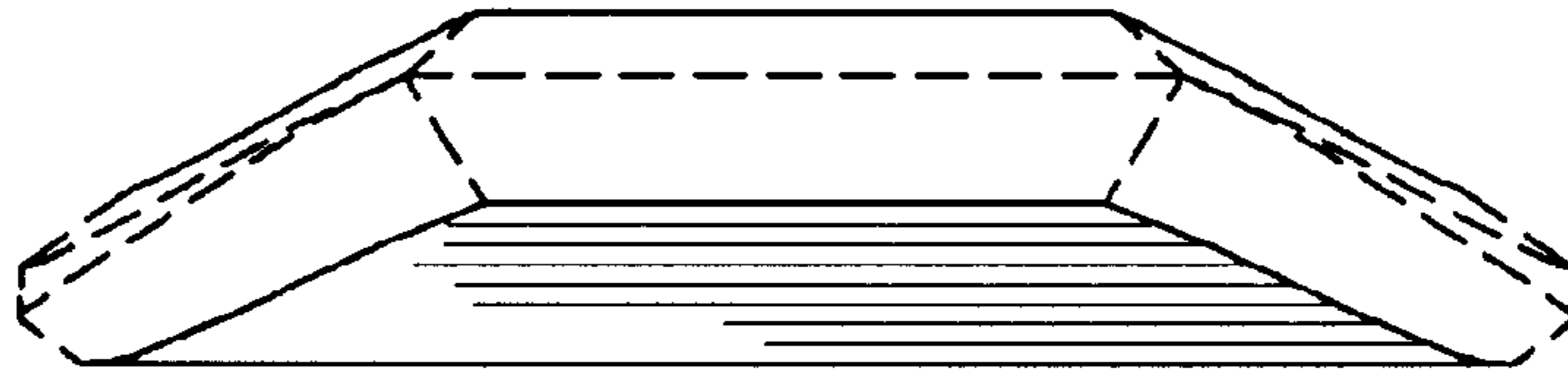


Fig. 6

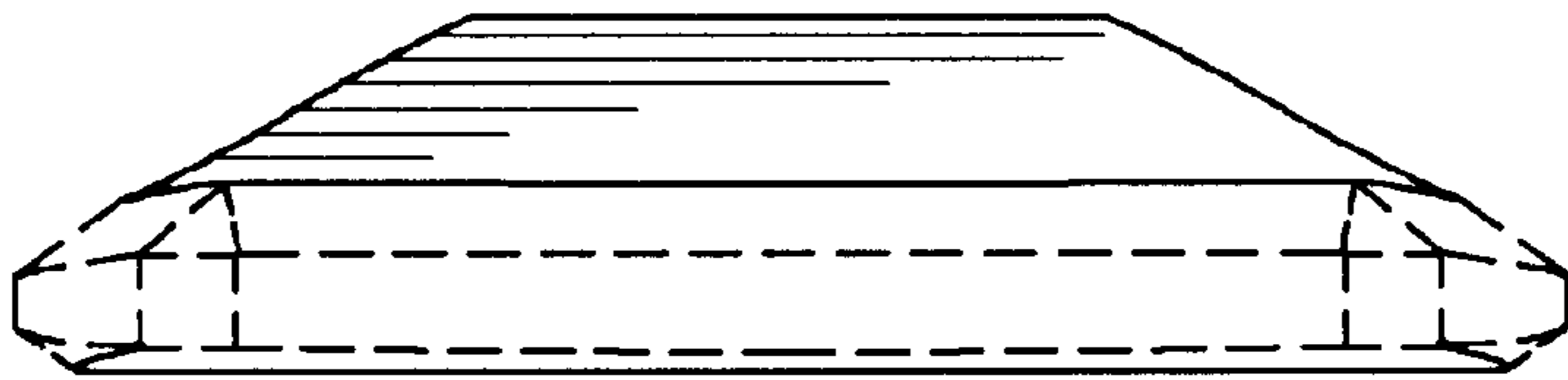


Fig. 7