



US00D489400S

(12) **United States Design Patent**  
**Nagashiro**

(10) **Patent No.:** **US D489,400 S**

(45) **Date of Patent:** **\*\* May 4, 2004**

(54) **TONER CARTRIDGE**

(75) Inventor: **Keiichi Nagashiro, Osaka (JP)**

(73) Assignee: **Kyocera Mita Corporation, Osaka (JP)**

(\*\*) Term: **14 Years**

(21) Appl. No.: **29/183,899**

(22) Filed: **Jun. 18, 2003**

(30) **Foreign Application Priority Data**

Mar. 4, 2003 (JP) ..... 2003-005617

(51) **LOC (7) Cl.** ..... **16-03**

(52) **U.S. Cl.** ..... **D18/43**

(58) **Field of Search** ..... D18/40, 43, 56;  
347/49, 86, 87, 101, 214; 399/110, 111,  
114, 119, 120, 259, 262

(56) **References Cited**

**U.S. PATENT DOCUMENTS**

D398,023 S \* 9/1998 Okada ..... D18/43  
D410,947 S \* 6/1999 Schwamkrug ..... D18/43

D415,191 S \* 10/1999 Okada ..... D18/43  
D463,817 S \* 10/2002 Kunihiro et al. .... D18/40  
D464,369 S \* 10/2002 Kunihiro et al. .... D18/43  
D478,614 S \* 8/2003 Numagami et al. .... D18/40  
D479,263 S \* 9/2003 Batori et al. .... D18/40

\* cited by examiner

*Primary Examiner*—Caron D. Veynar

(74) *Attorney, Agent, or Firm*—Jordan and Hamburg LLP

(57) **CLAIM**

The ornamental design for a toner cartridge, as shown and described.

**DESCRIPTION**

FIG. 1 is a front perspective view of a toner cartridge;  
FIG. 2 is a front view thereof;  
FIG. 3 is a rear view thereof;  
FIG. 4 is a left side view thereof;  
FIG. 5 is a right side view thereof;  
FIG. 6 is a top view thereof; and,  
FIG. 7 is a bottom view thereof.

Portion shown in broken lines is for illustrative purposes only and forms no part of the claimed design.

**1 Claim, 4 Drawing Sheets**

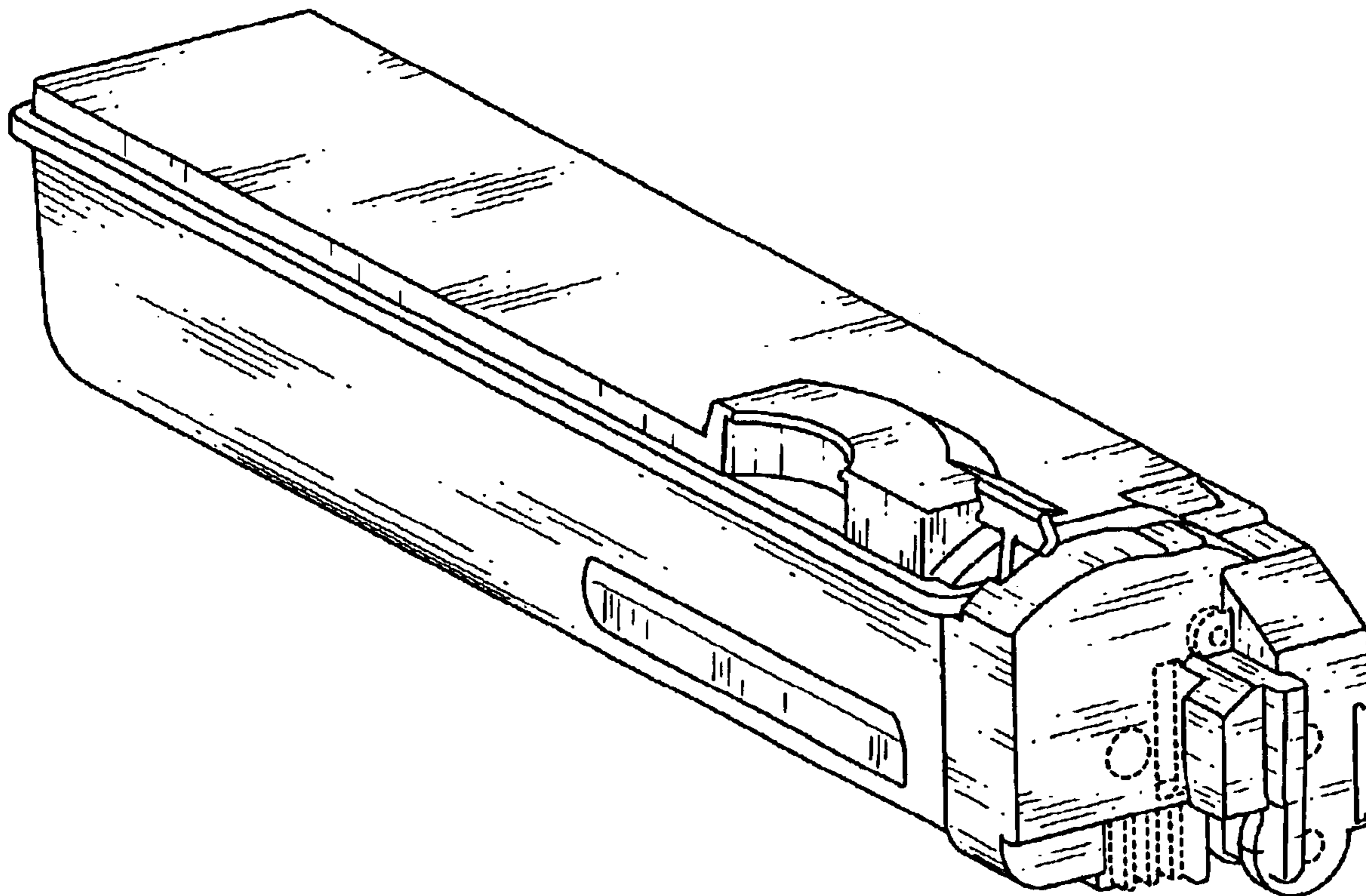


Fig. 1

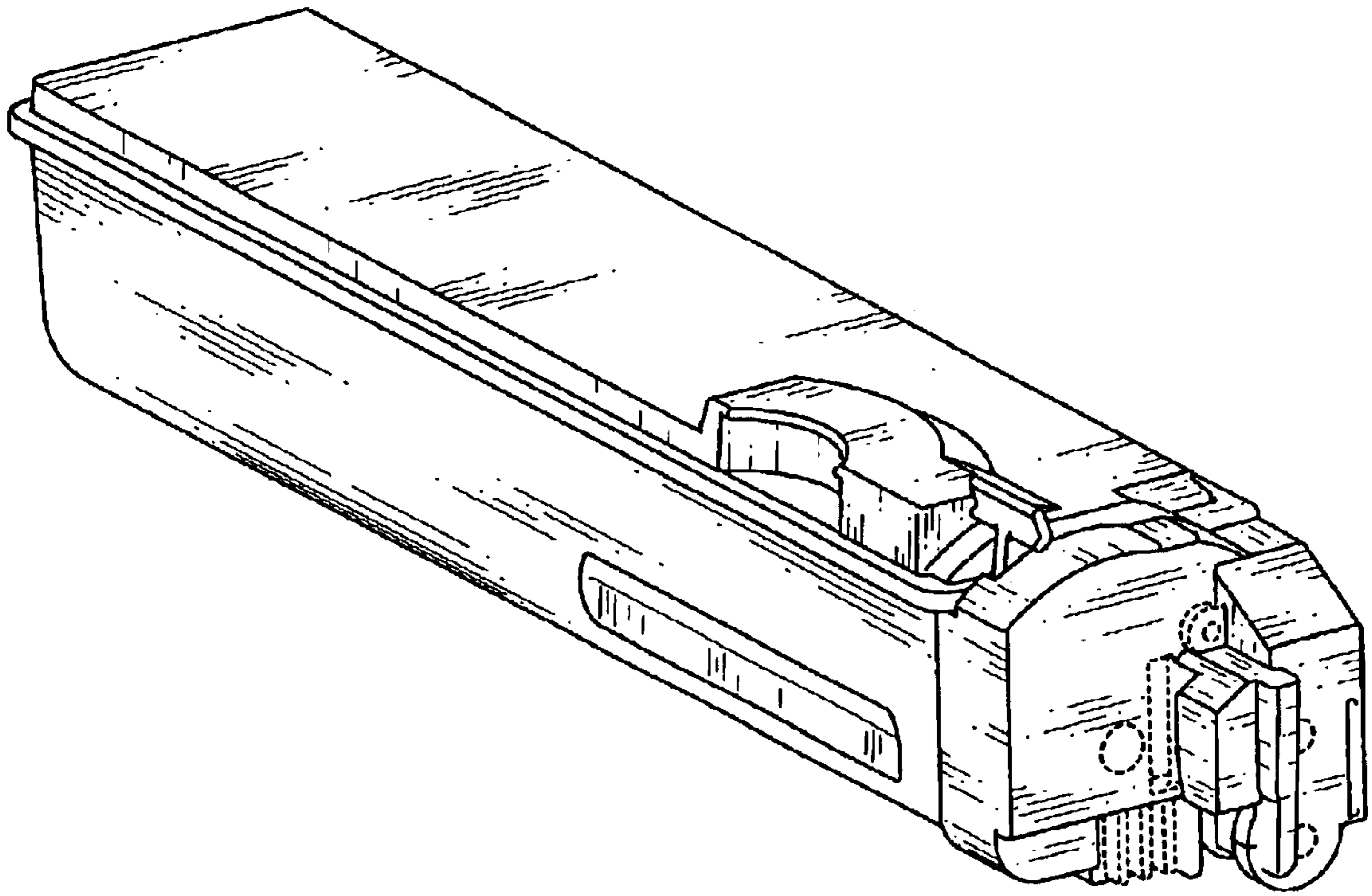


Fig. 2

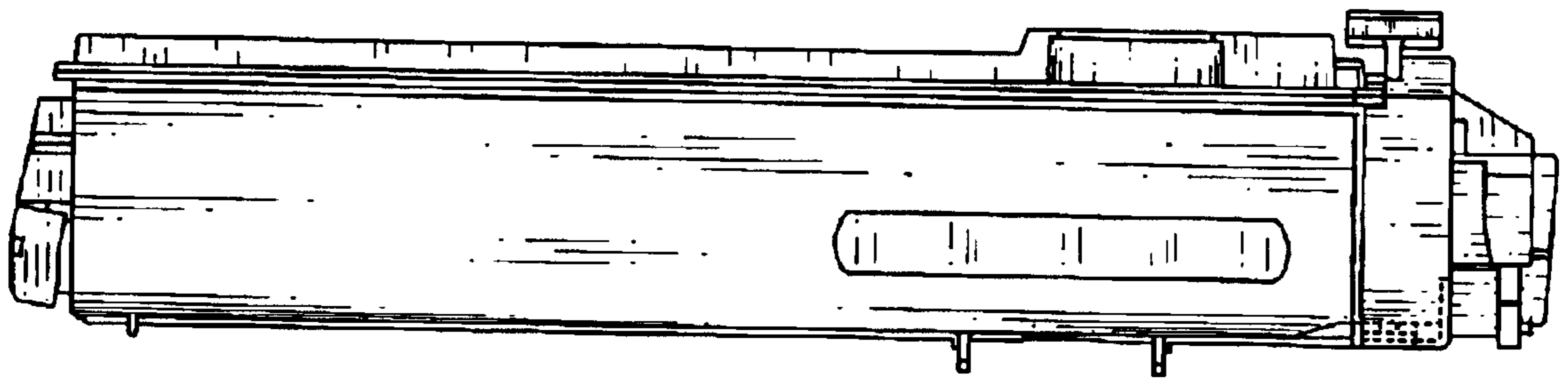


Fig. 3

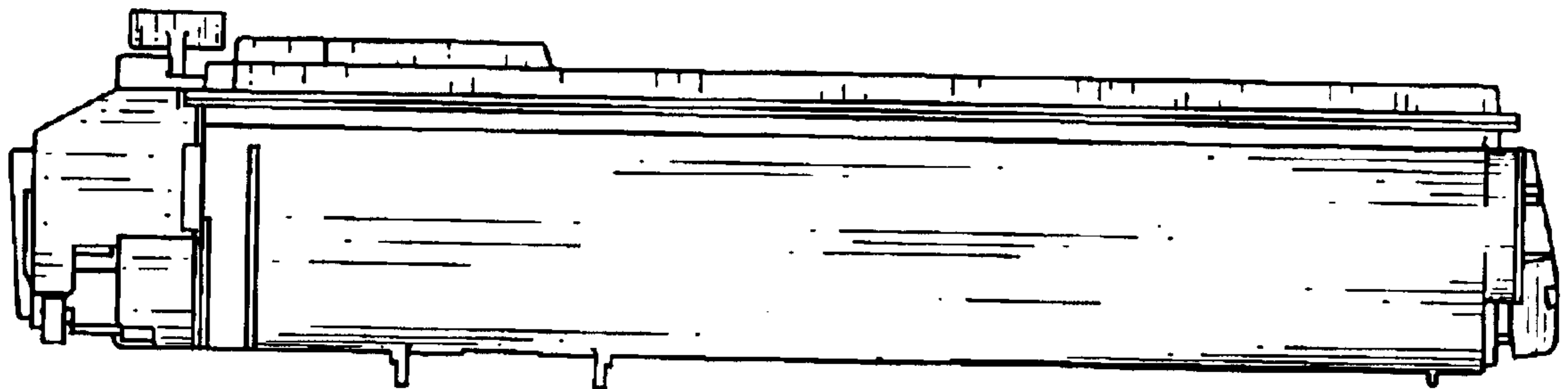


Fig. 4

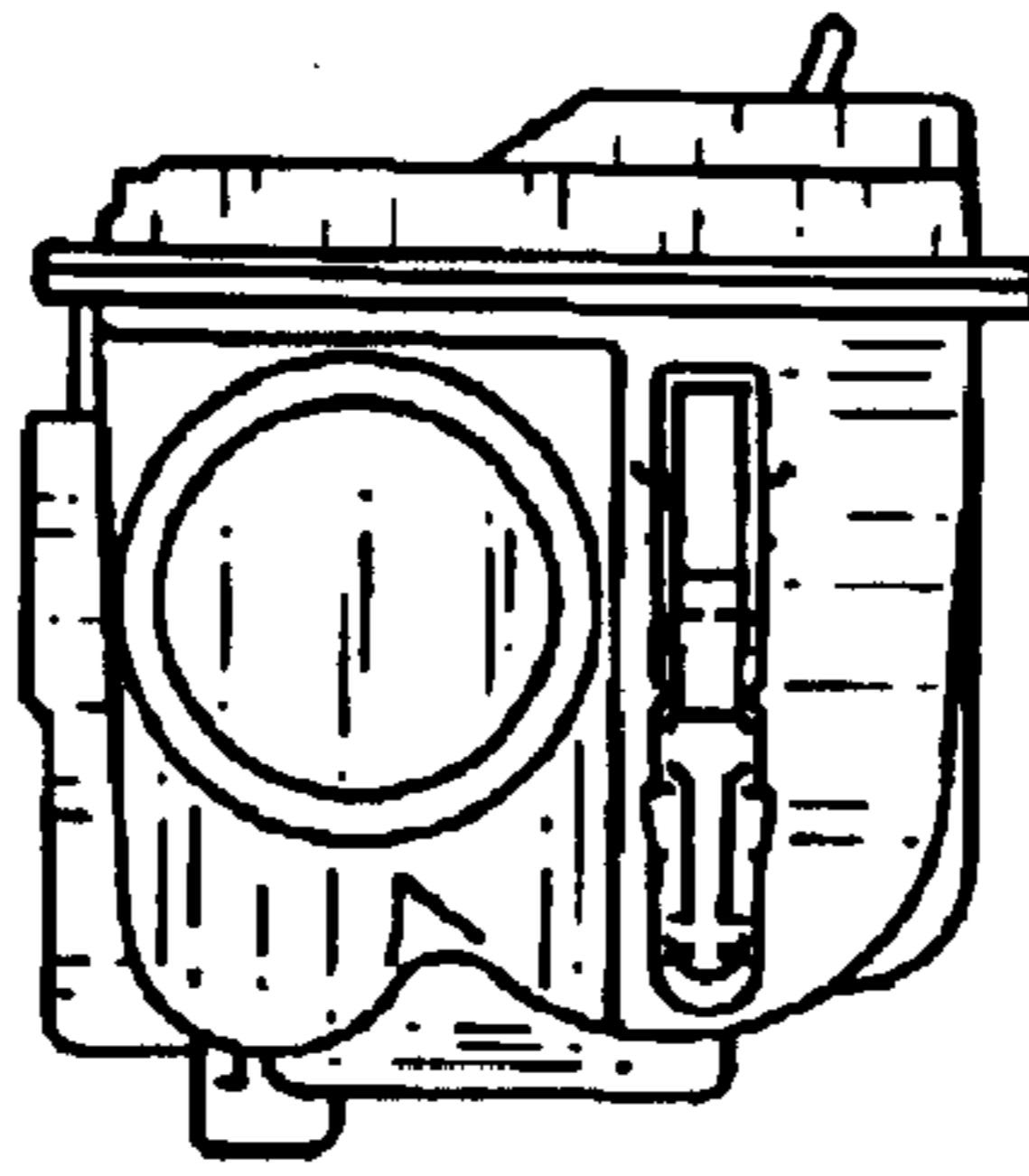


Fig. 5

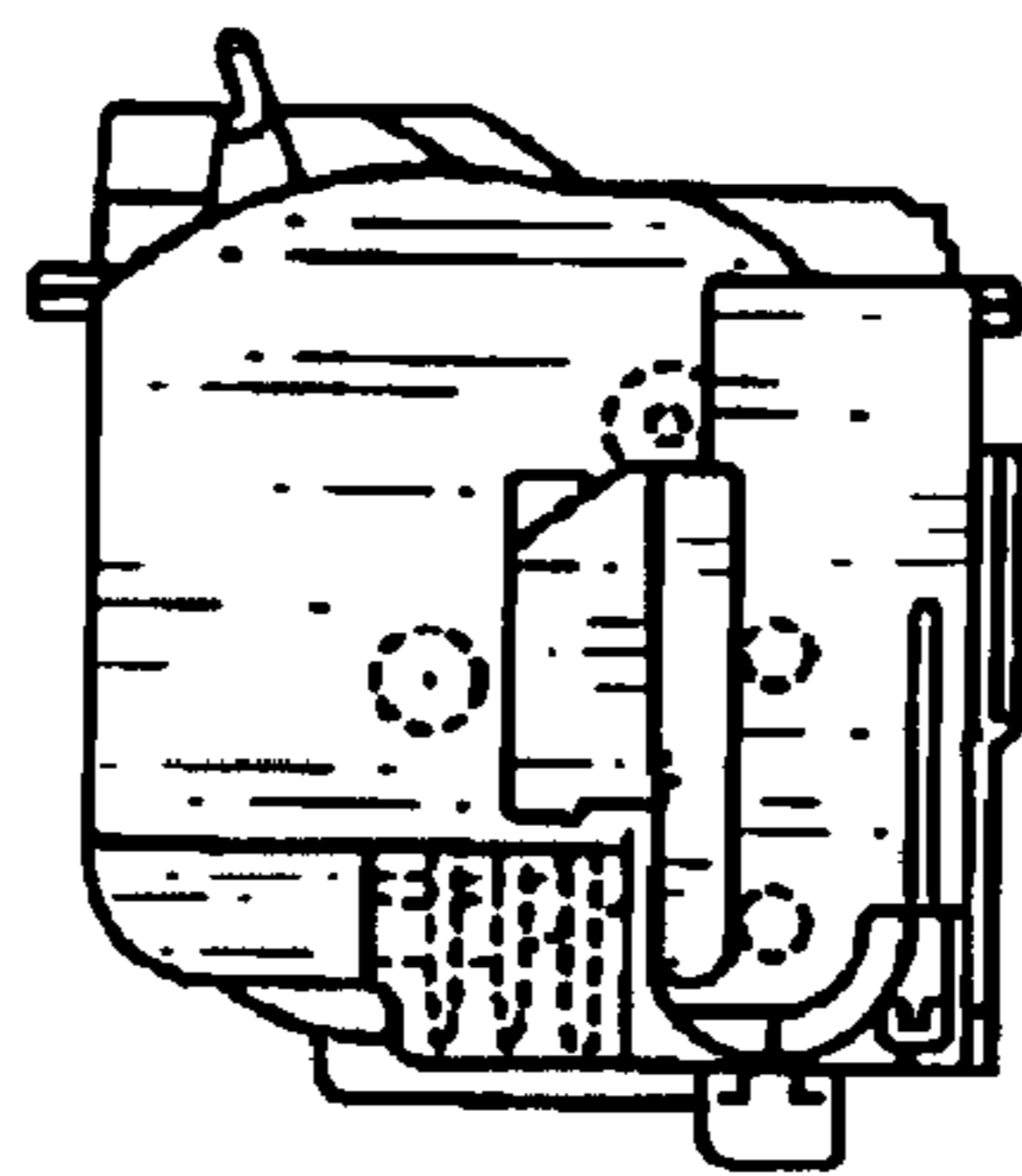


Fig. 6

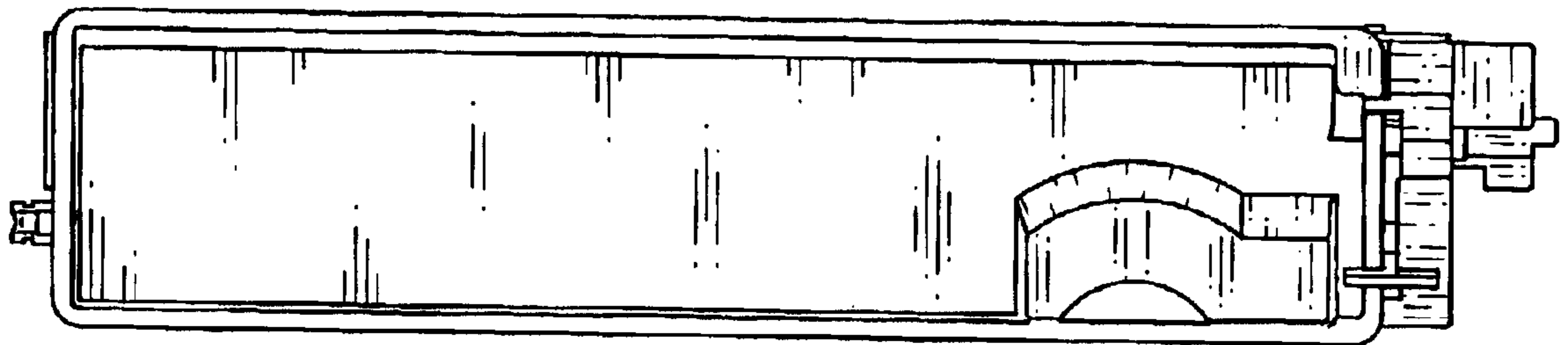


Fig. 7

