



US00D489399S

(12) **United States Design Patent**
Kusakari

(10) **Patent No.:** **US D489,399 S**

(45) **Date of Patent:** **** May 4, 2004**

(54) **WIRE BOBBIN FOR A BINDING MACHINE**

6,079,234 A * 6/2000 Hsiung 66/132 R

(75) Inventor: **Ichiro Kusakari**, Tokyo (JP)

FOREIGN PATENT DOCUMENTS

(73) Assignee: **Max Co., Ltd.**, Tokyo (JP)

JP D-1058621 1/2000

JP D-1058621-Similar 01 1/2000

(**) Term: **14 Years**

* cited by examiner

(21) Appl. No.: **29/167,671**

Primary Examiner—Charles A. Rademaker

(22) Filed: **Sep. 19, 2002**

(74) *Attorney, Agent, or Firm*—Morgan, Lewis & Bockius LLP

(30) **Foreign Application Priority Data**

(57) **CLAIM**

Mar. 20, 2002 (JP) 2002-007433

The ornamental design for a wire bobbin for a binding machine, as shown and described.

(51) **LOC (7) Cl.** **18-04**

DESCRIPTION

(52) **U.S. Cl.** **D18/34; D3/24**

(58) **Field of Search** D18/34, 99; D15/199, D15/172; 156/147, 479, 578, 908; 281/27.1, 27.2, 27.3, 21.2; 412/38, 40, 42, 43; 66/132 R, 132 T, 900; 292/129.6, 129.7, 129.5; D3/18–29

FIG. 1 is a perspective view of front and left side of a wire bobbin for a binding machine showing my new design; FIG. 2 is a front view thereof; FIG. 3 is a rear view thereof; FIG. 4 is a top plan view thereof; FIG. 5 is a bottom view thereof; FIG. 6 is a right side view thereof; FIG. 7 is a left side view thereof; and, FIG. 8 is a perspective reference view of the condition of the wire bobbin being attached to the binding machine.

(56) **References Cited**

The broken line showing of environment is for illustrative purposes only and forms no part of the claimed design.

U.S. PATENT DOCUMENTS

- D186,250 S * 9/1959 Bacco D15/72
- D282,312 S * 1/1986 Dick D3/24
- D292,643 S * 11/1987 Dick et al. D3/24
- D315,914 S * 4/1991 Chen D15/72
- 5,143,316 A * 9/1992 Goetz et al. 242/129.5
- 5,194,116 A * 3/1993 Davis et al. 156/578
- 5,352,322 A * 10/1994 Leverick 156/578
- D358,931 S * 6/1995 Vanhuyse D3/24

1 Claim, 5 Drawing Sheets

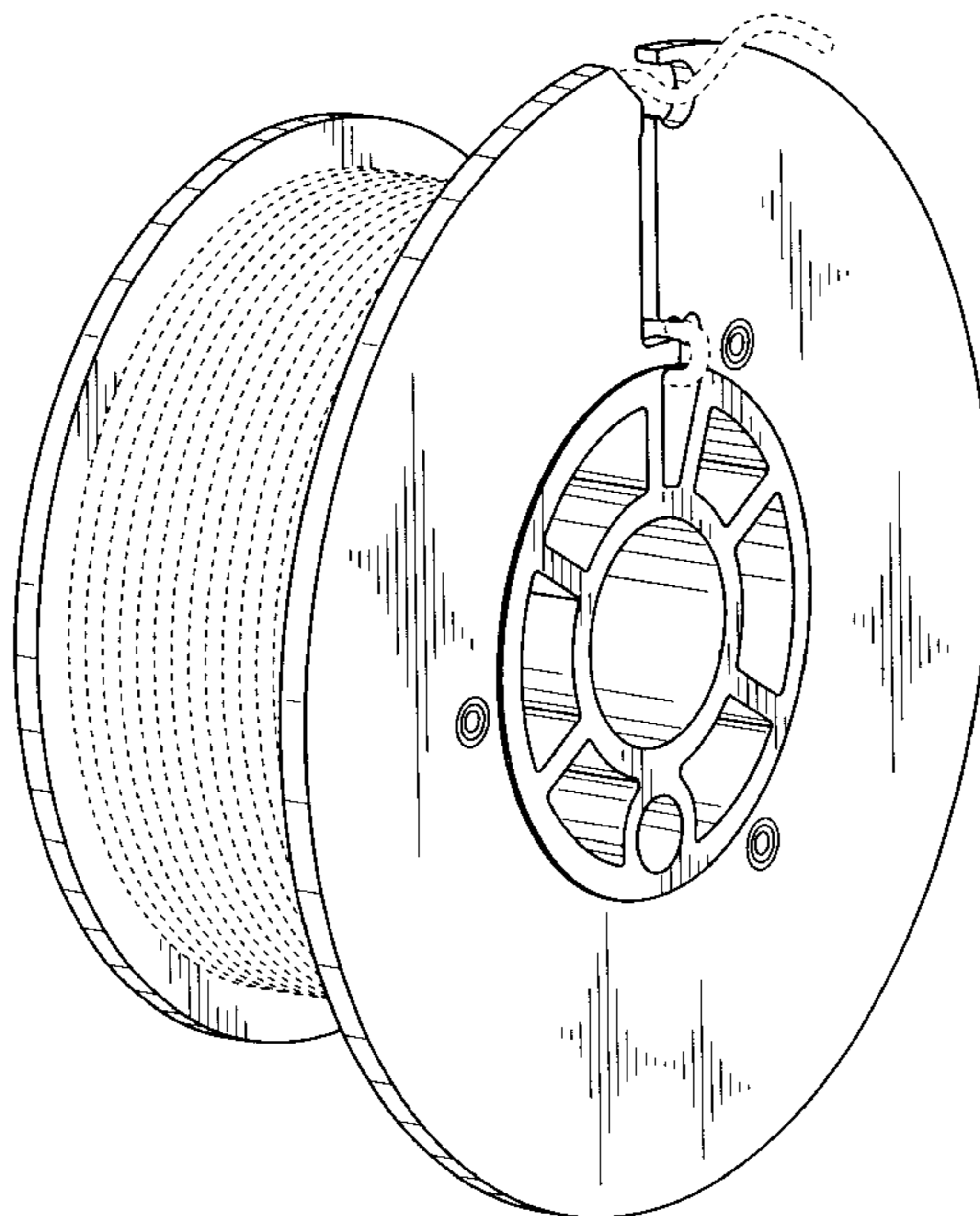


FIG. 1

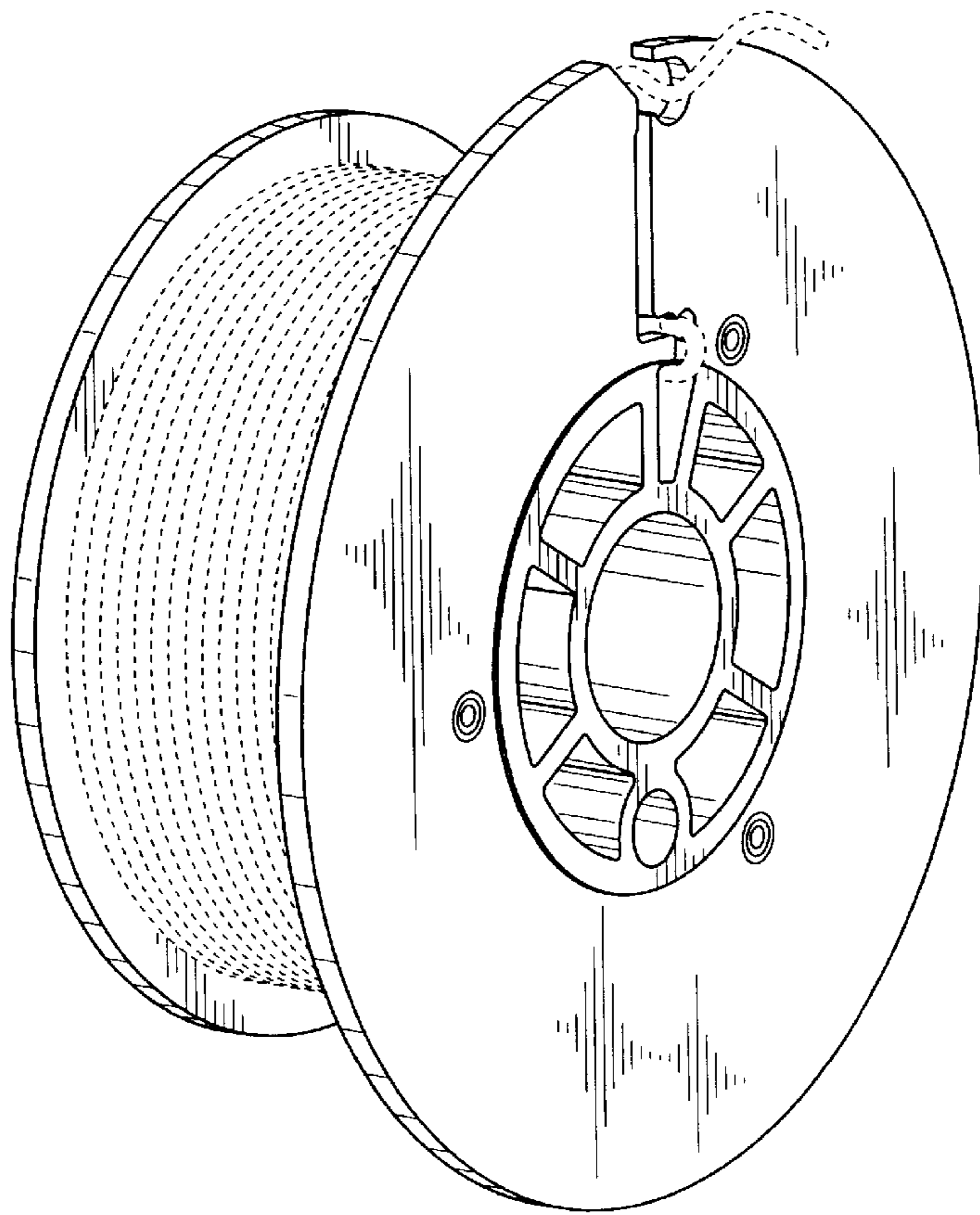


FIG. 2

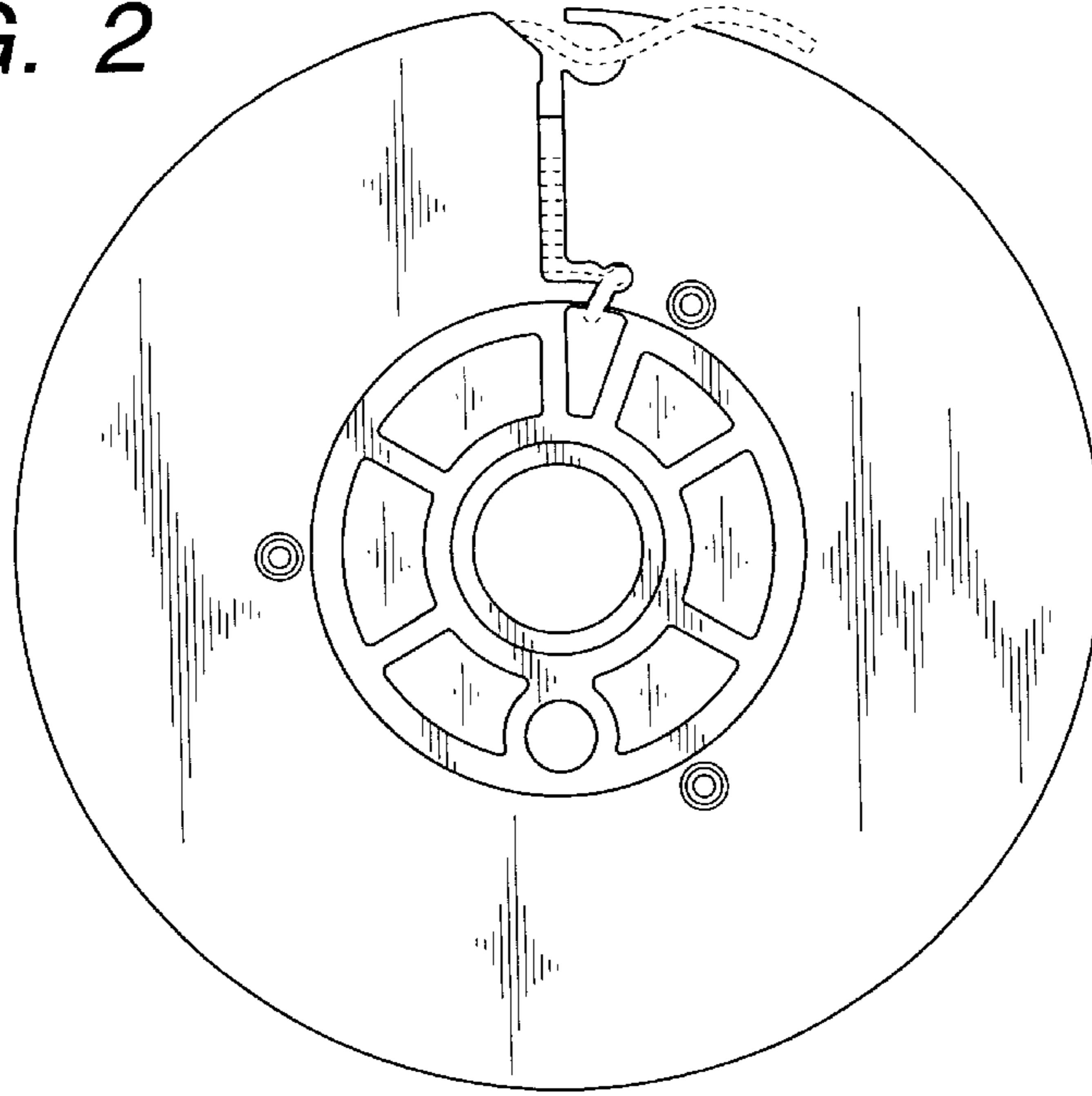


FIG. 3

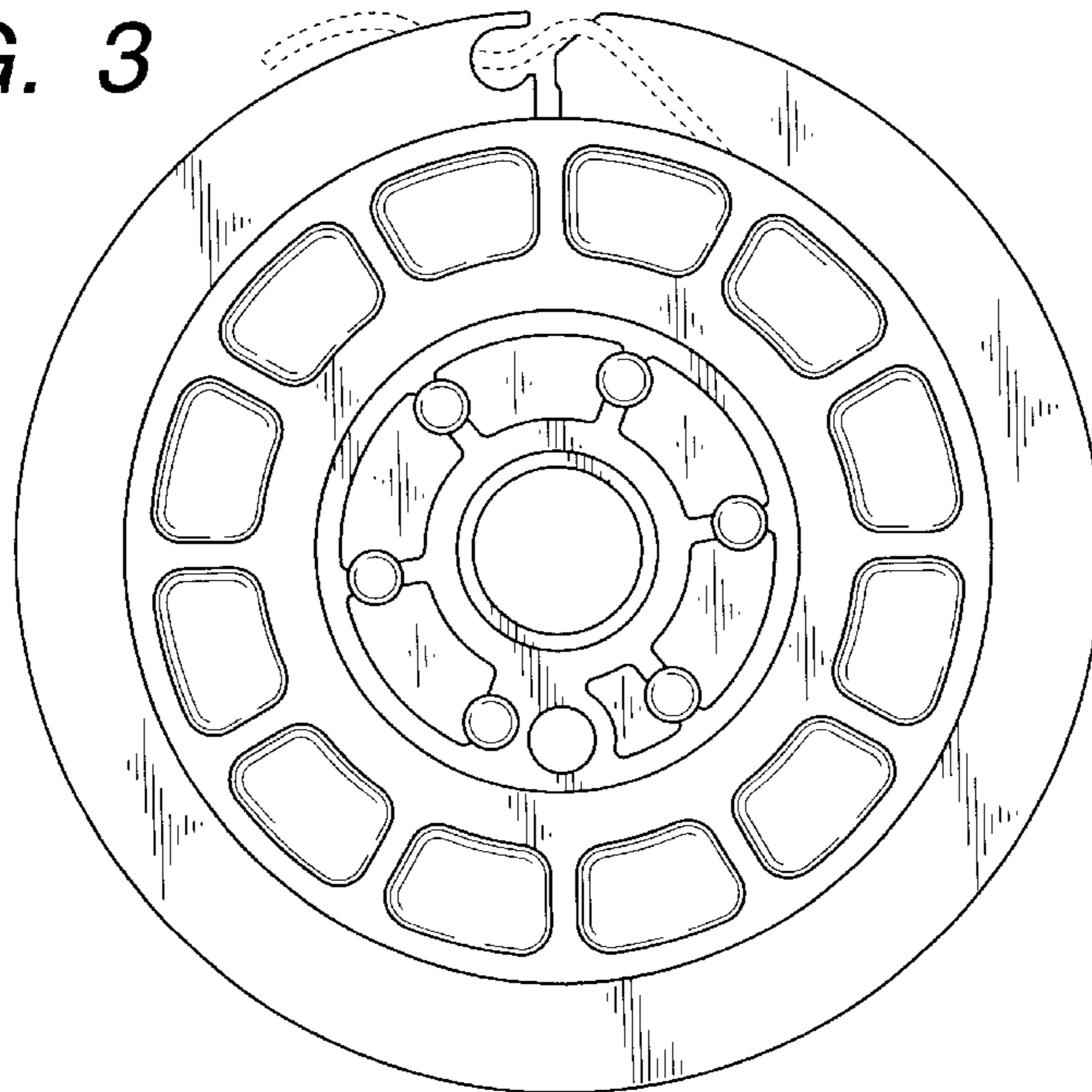


FIG. 4

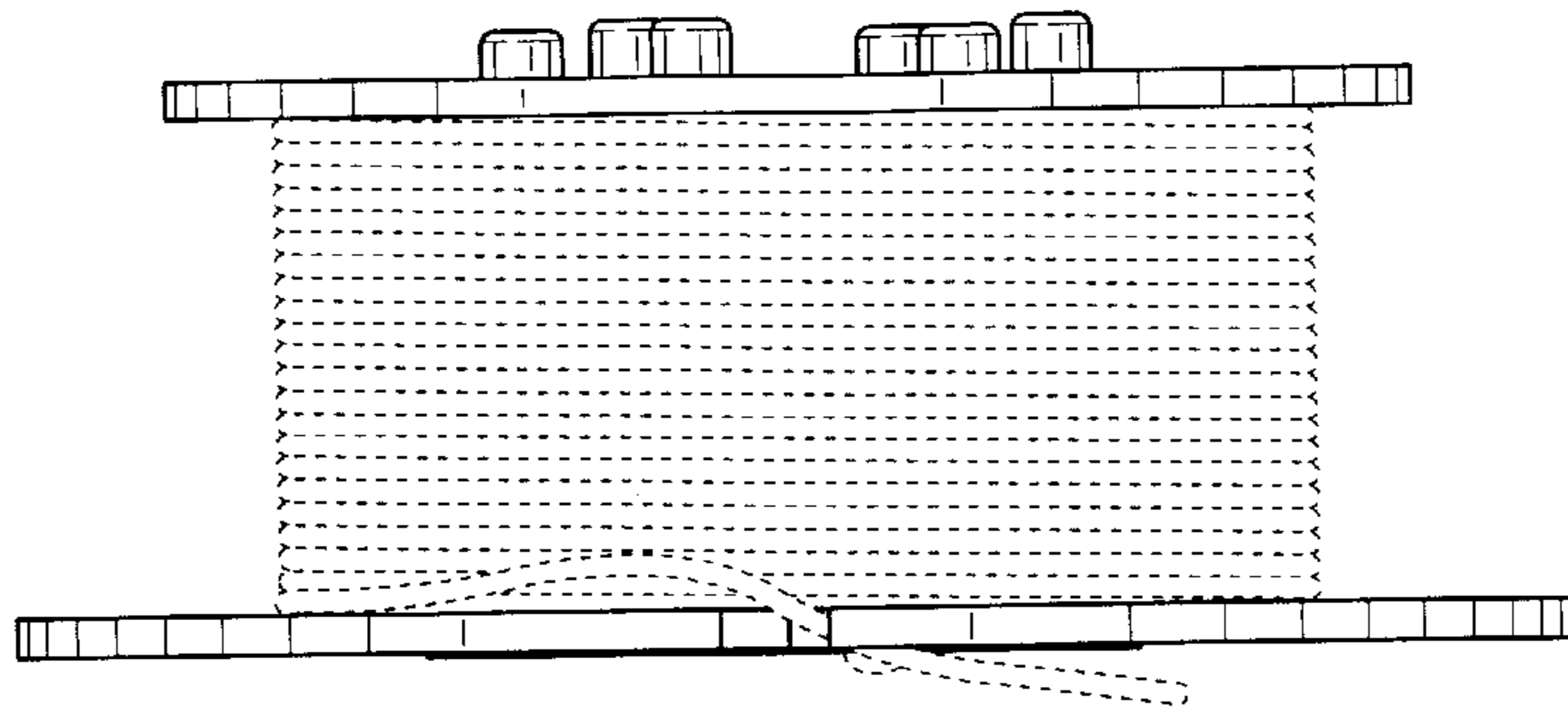


FIG. 5

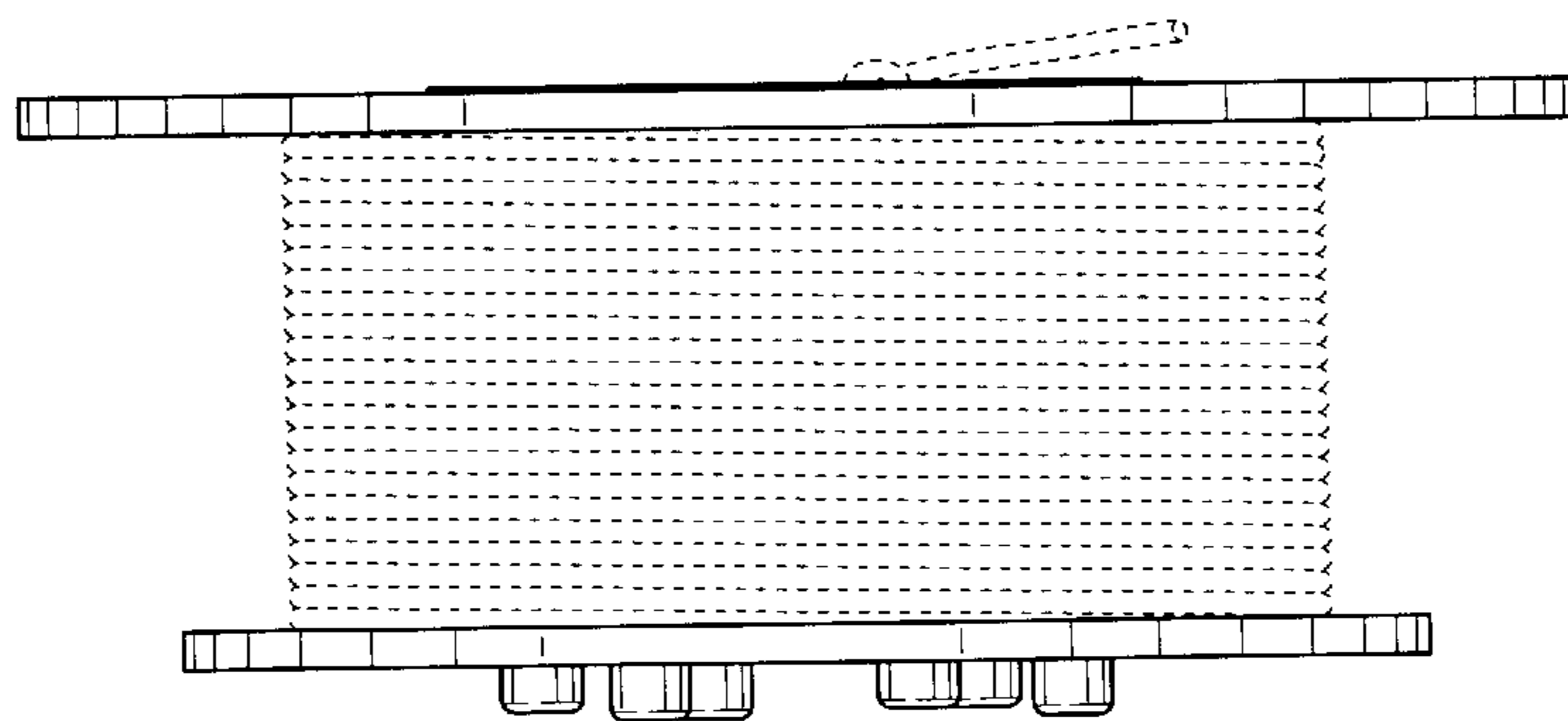


FIG. 6

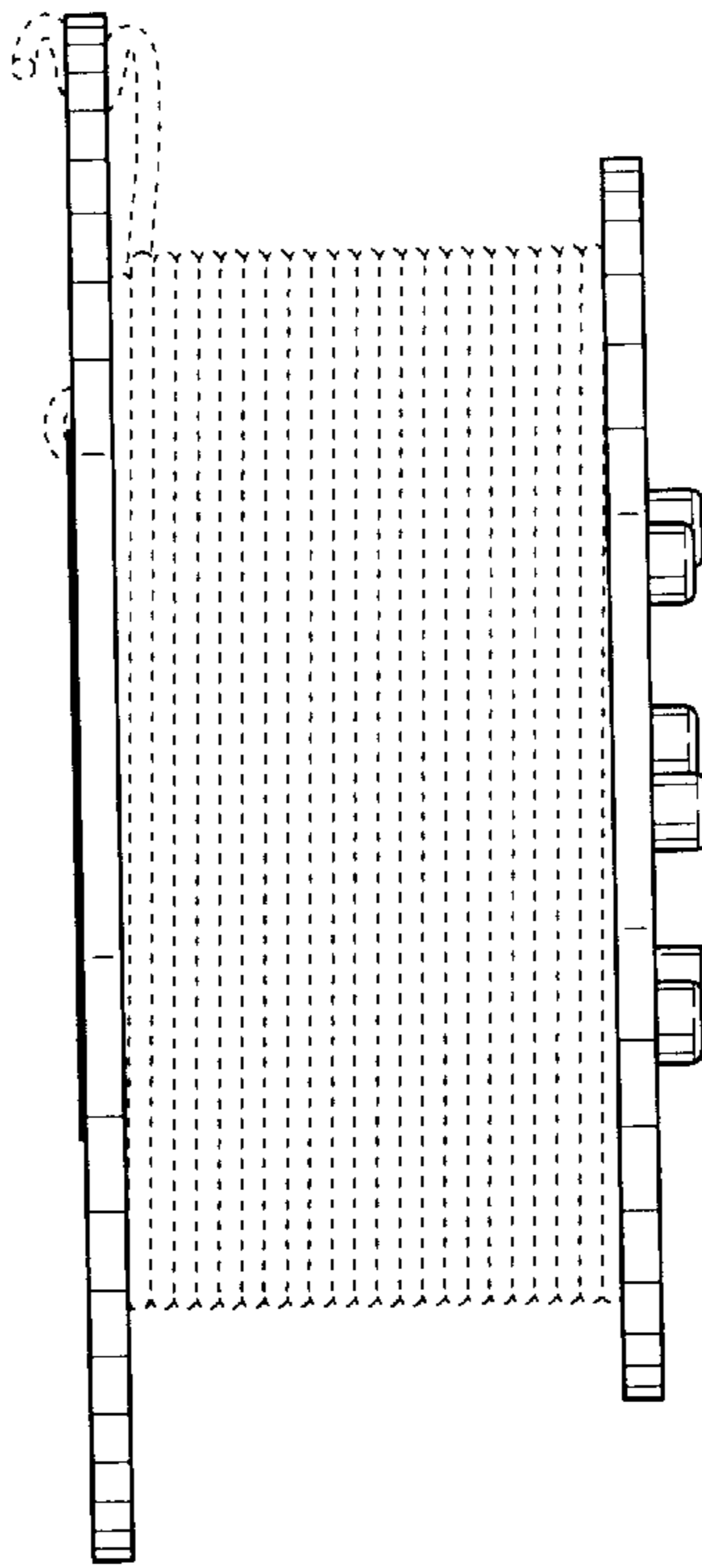


FIG. 7

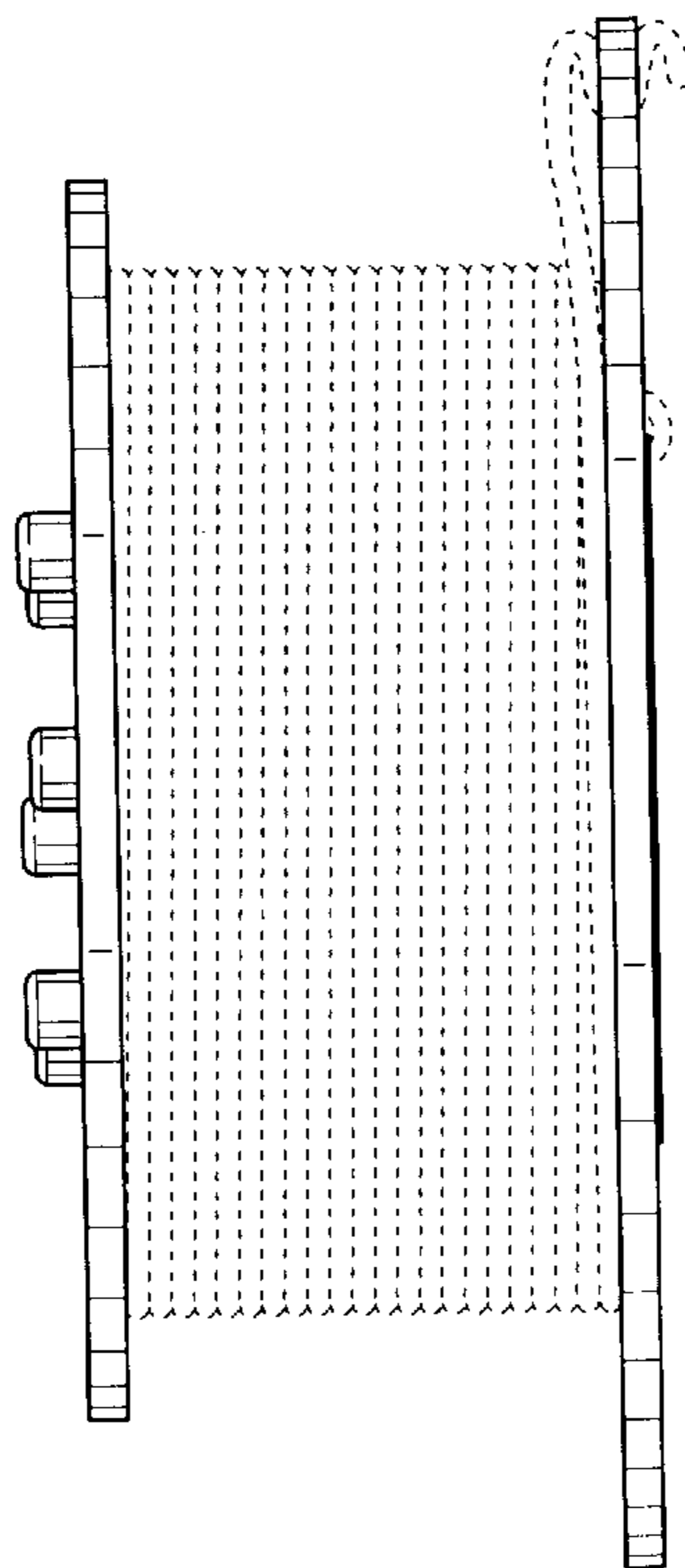


FIG. 8

