



US00D489397S

(12) **United States Design Patent**
Flagg

(10) **Patent No.:** **US D489,397 S**

(45) **Date of Patent:** **** May 4, 2004**

(54) **GUITAR BODY**

D373,135 S * 8/1996 Tejera D17/14

(76) Inventor: **Scott Flagg**, 3180 NW. 12th St.,
Gainesville, FL (US) 32609

* cited by examiner

(**) Term: **14 Years**

Primary Examiner—Ruth McInroy
(74) *Attorney, Agent, or Firm*—Sven W. Hanson

(21) Appl. No.: **29/178,374**

(57) **CLAIM**

(22) Filed: **Mar. 25, 2003**

The ornamental design for a guitar body, as shown and described.

(51) **LOC (7) Cl.** **17-03**

DESCRIPTION

(52) **U.S. Cl.** **D17/20**

(58) **Field of Search** D17/14, 15, 19-21,
D17/99; 84/267, 268, 291, 294, 290, 192;
D21/405

FIG. 1 is a perspective view of a guitar body showing my new design;

FIG. 2 is a front plan view thereof;

FIG. 3 is a left side elevation view thereof;

FIG. 4 is a bottom elevation view thereof;

FIG. 5 is a right side elevation view thereof;

FIG. 6 is a back plan view thereof; and,

FIG. 7 is a top elevation view thereof.

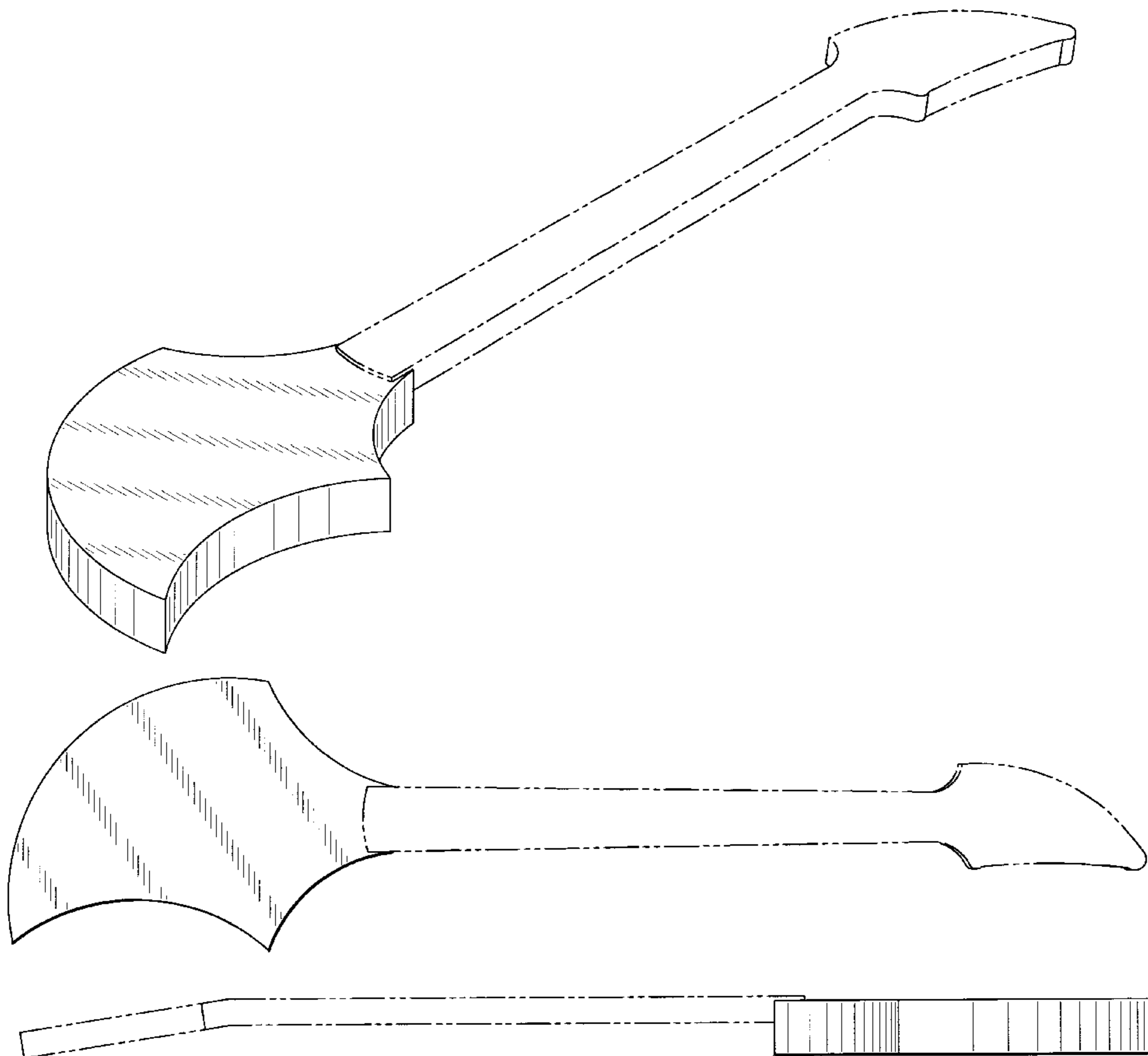
The broken lines shown in the figures illustrate the environment only and do not form part of the claimed design.

(56) **References Cited**

U.S. PATENT DOCUMENTS

D270,254 S	*	8/1983	Hardy	D17/14
D278,632 S	*	4/1985	Erlewine	D17/14
D289,900 S	*	5/1987	Aitken et al.	D17/14
D339,150 S	*	9/1993	Robertson	D17/14
D350,557 S	*	9/1994	Woods	D17/14
D356,592 S	*	3/1995	Huskey	D17/14

1 Claim, 3 Drawing Sheets



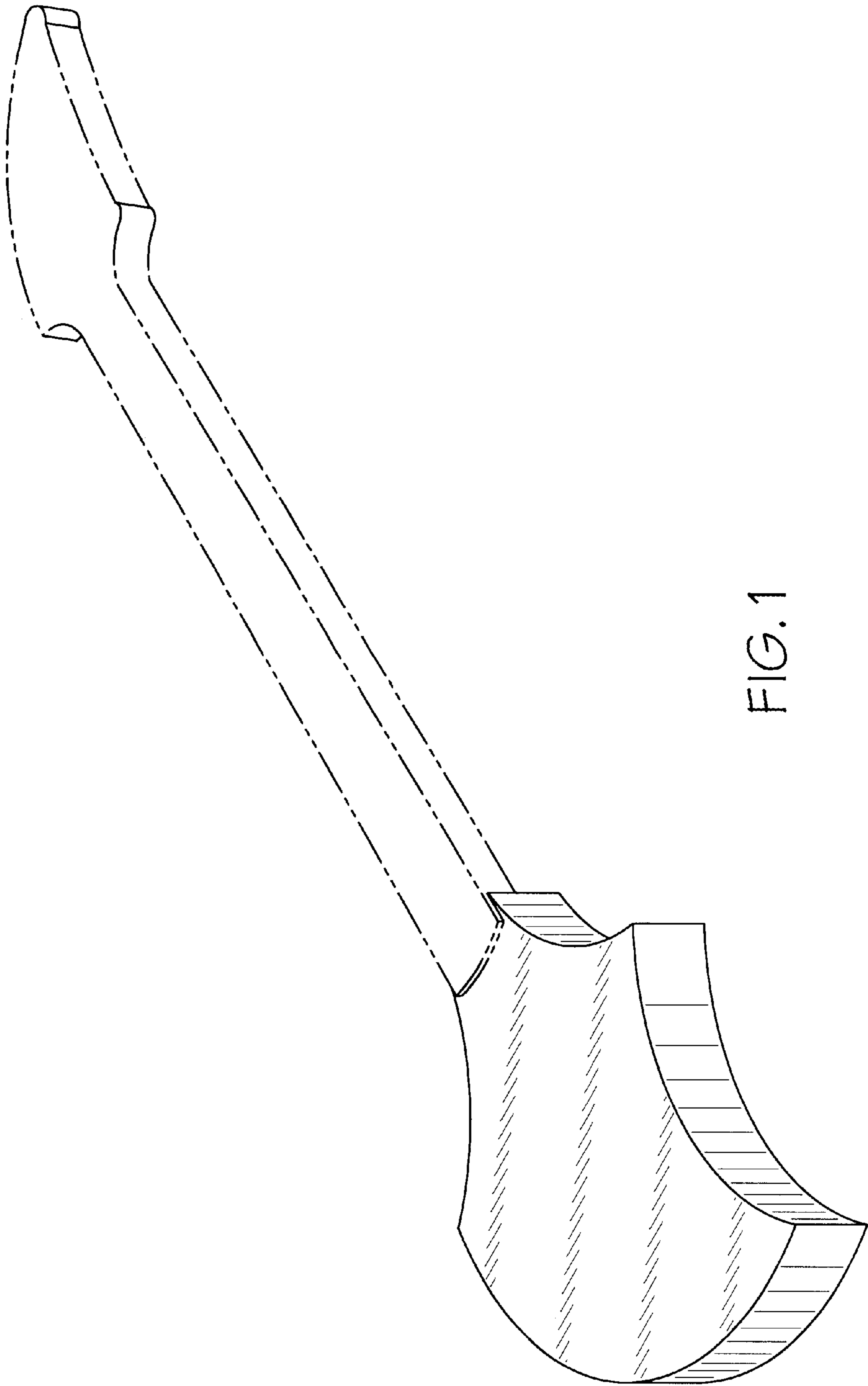


FIG. 1

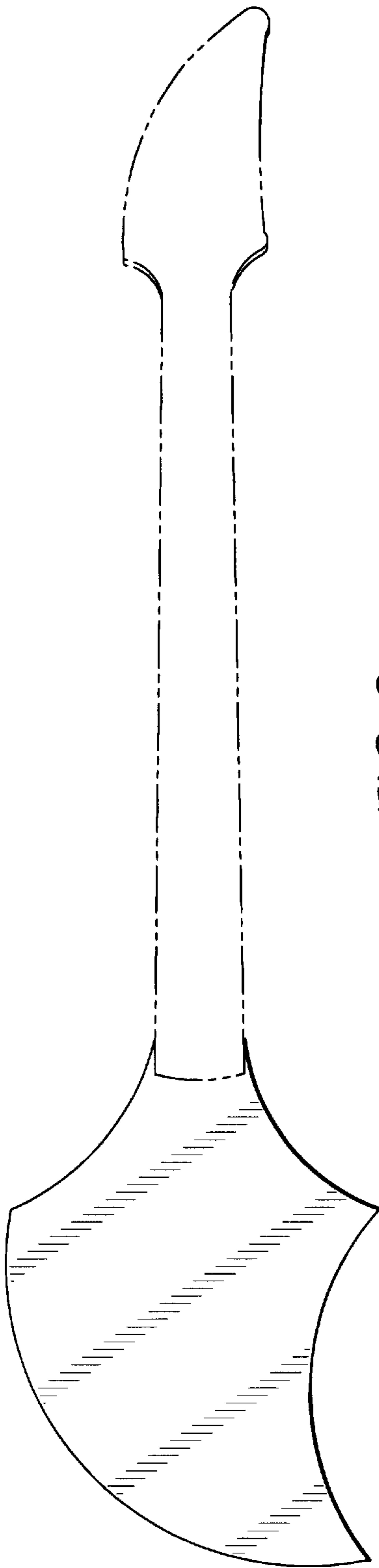


FIG. 2

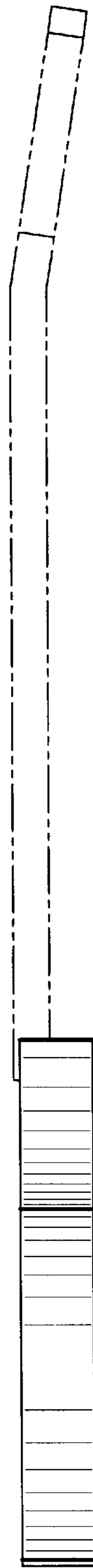


FIG. 3

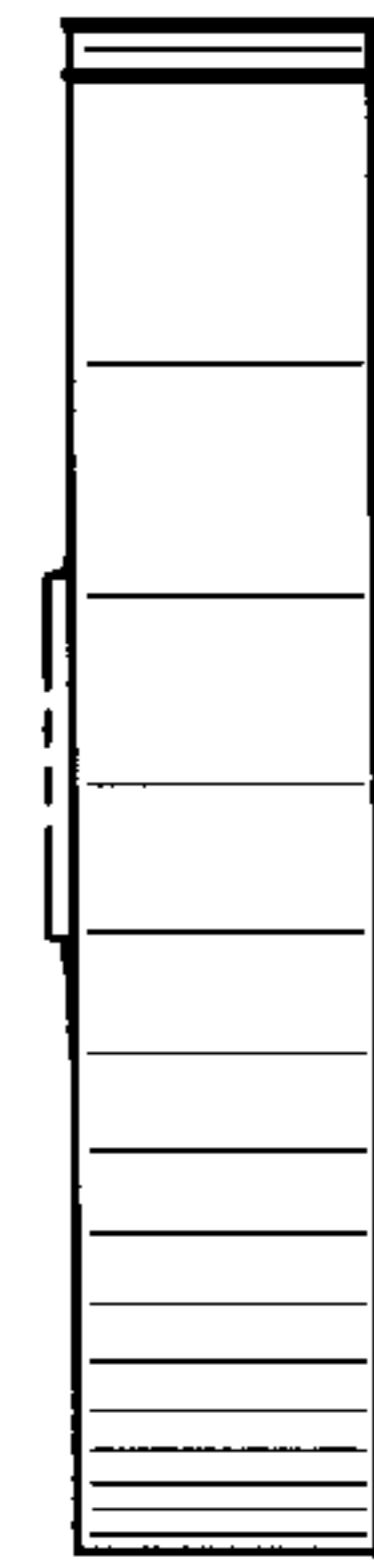


FIG. 4



FIG. 5

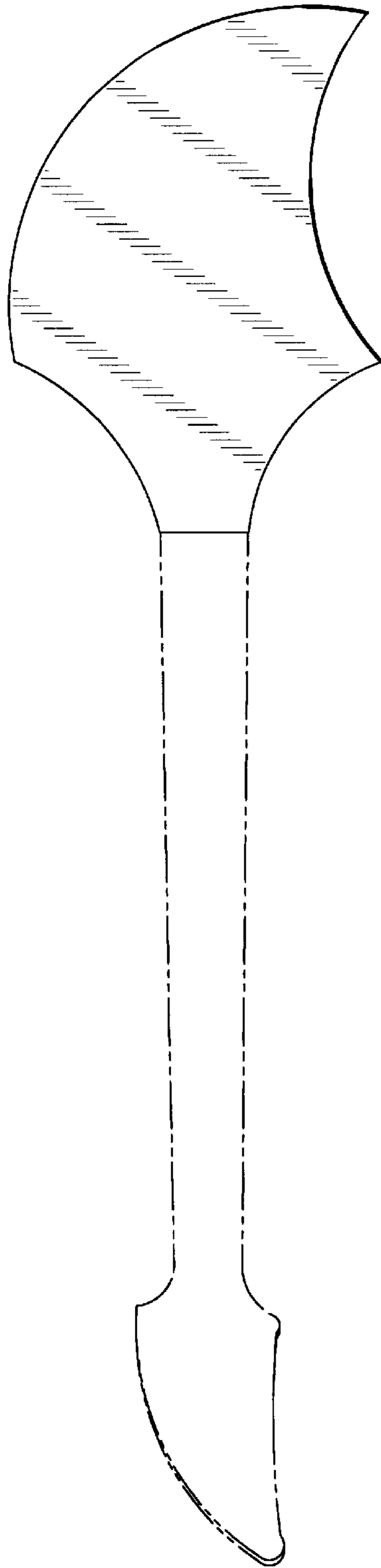


FIG. 6



FIG. 7