



US00D489392S

(12) **United States Design Patent**  
**Kawasaki et al.**

(10) **Patent No.:** **US D489,392 S**

(45) **Date of Patent:** **\*\* May 4, 2004**

(54) **CASSETTE RECEIVING PORTION OF A PROJECTOR**

(75) Inventors: **Mugio Kawasaki**, Suwa (JP); **Hirohisa Nakano**, Suwa (JP)

(73) Assignee: **Seiko Epson Corporation**, Tokyo (JP)

(\*\*) Term: **14 Years**

(21) Appl. No.: **29/167,284**

(22) Filed: **Sep. 12, 2002**

(30) **Foreign Application Priority Data**

Mar. 28, 2002 (JP) ..... 2002-008289

(51) **LOC (7) Cl.** ..... **16-02**

(52) **U.S. Cl.** ..... **D16/235; D14/135**

(58) **Field of Search** ..... D14/135, 136, D14/162, 168, 188, 157, 258, 217; D16/200, 205, 221, 225, 230, 231, 234, 235; 353/115, 119, 122

(56) **References Cited**

**U.S. PATENT DOCUMENTS**

D263,138 S \* 2/1982 Uchiyama ..... D14/136  
D404,394 S \* 1/1999 Oh ..... D14/135

D418,130 S \* 12/1999 Iribe ..... D14/135  
D449,060 S \* 10/2001 Saeki et al. .... D16/230  
D464,332 S \* 10/2002 Kabasawa ..... D14/136  
D470,525 S \* 2/2003 Nakayama et al. .... D16/231

**FOREIGN PATENT DOCUMENTS**

JP HB12011534 2/2001

\* cited by examiner

*Primary Examiner*—Adir Aronovich

(74) *Attorney, Agent, or Firm*—Oliff & Berridge, PLC

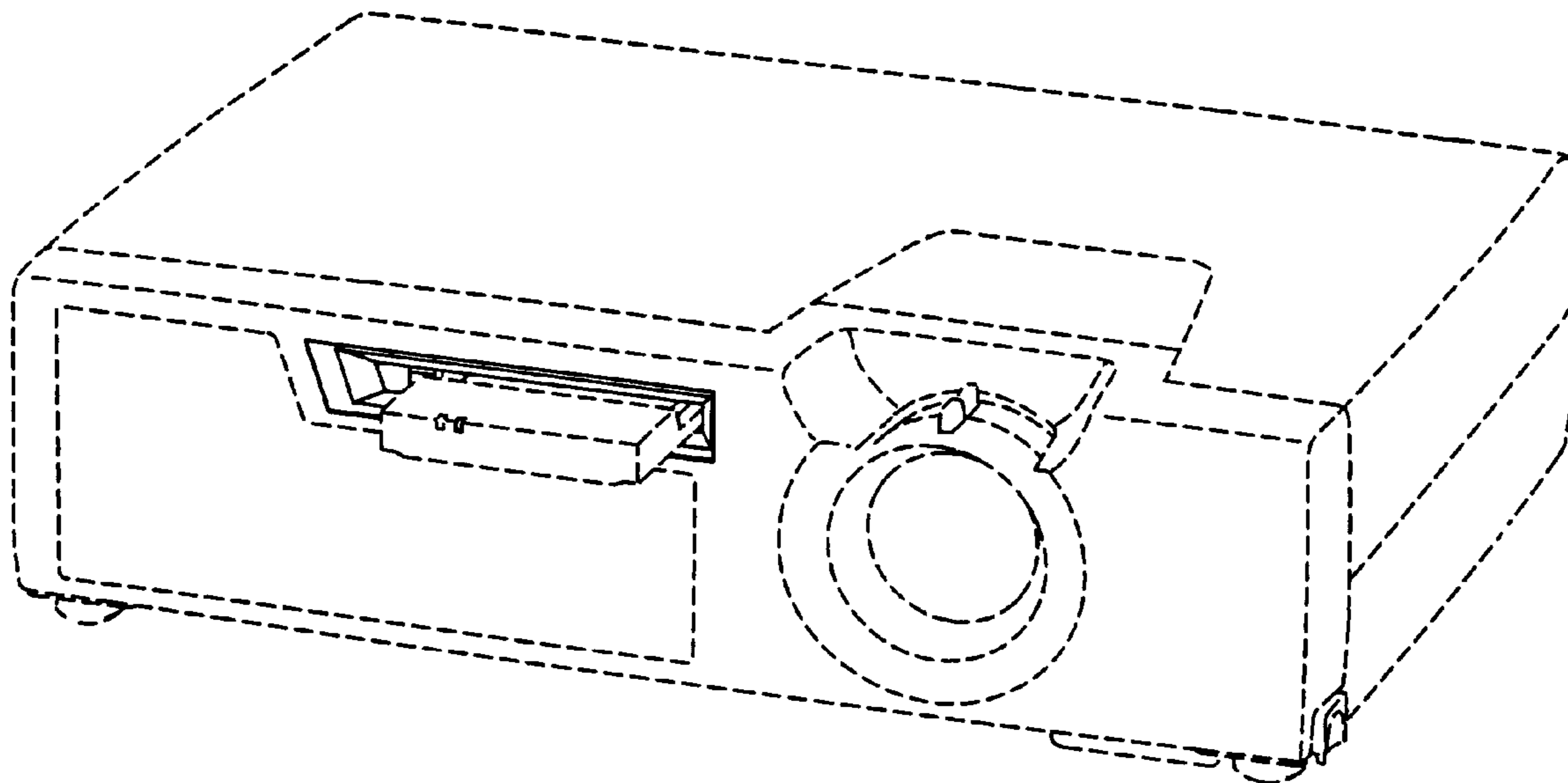
(57) **CLAIM**

The ornamental design for a cassette receiving portion of a projector, as shown and described.

**DESCRIPTION**

FIG. 1 is a perspective view of a cassette receiving portion of a projector;  
FIG. 2 is an enlarged perspective view thereof;  
FIG. 3 is a front view thereof; and,  
FIG. 4 is a perspective view thereof with a cassette mounted in the cassette receiving portion.  
The broken line showing is for illustrative purposes only and does not form part of the claimed design.

**1 Claim, 2 Drawing Sheets**



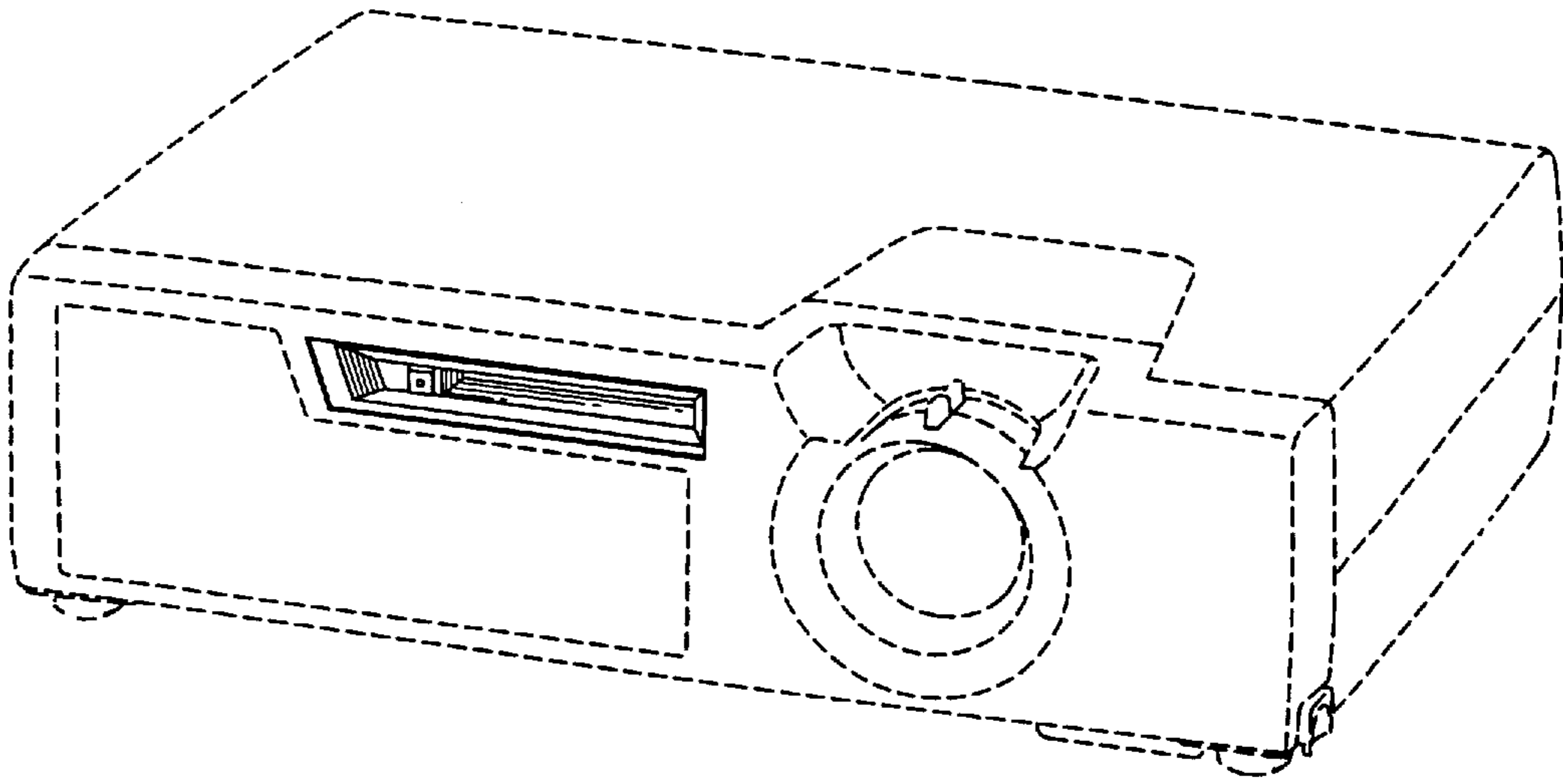


FIG. 1

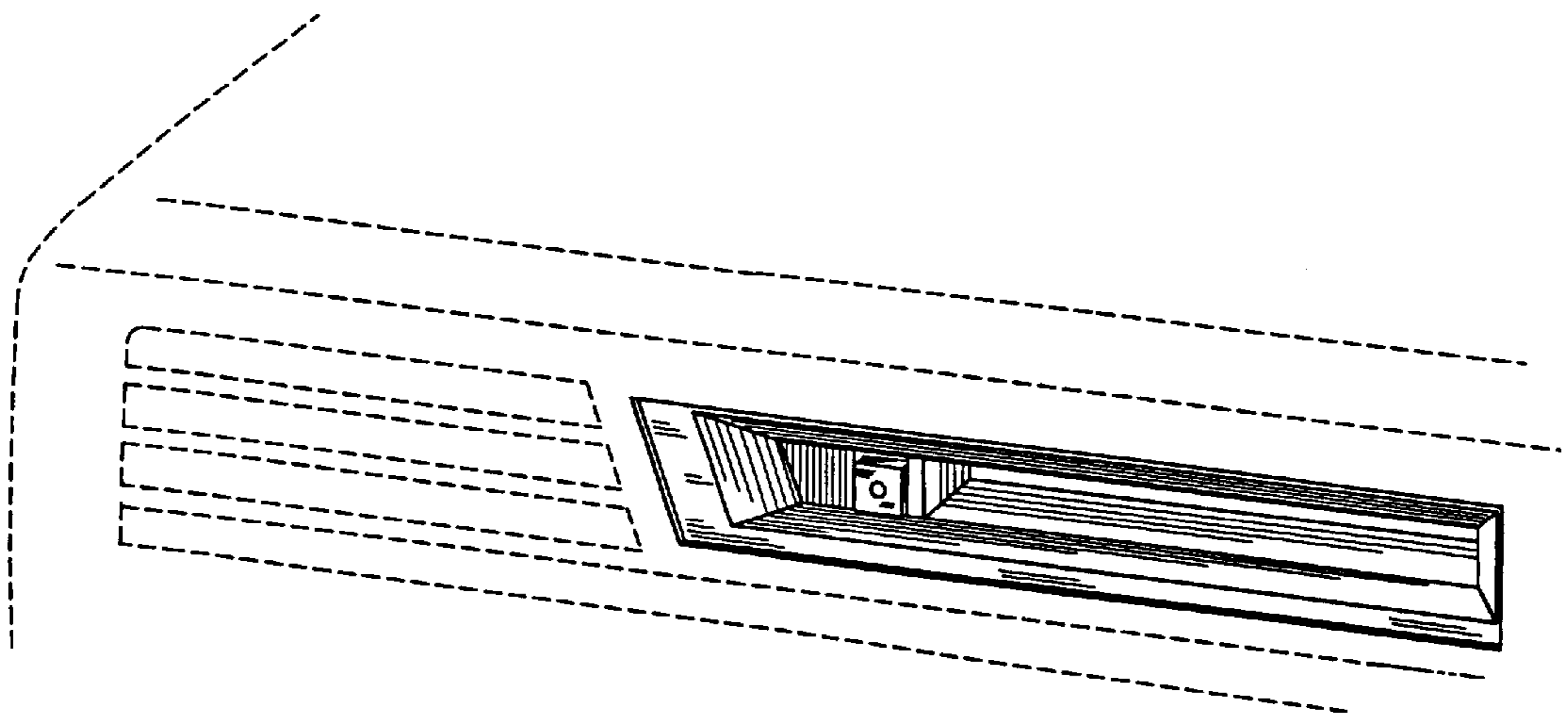


FIG. 2

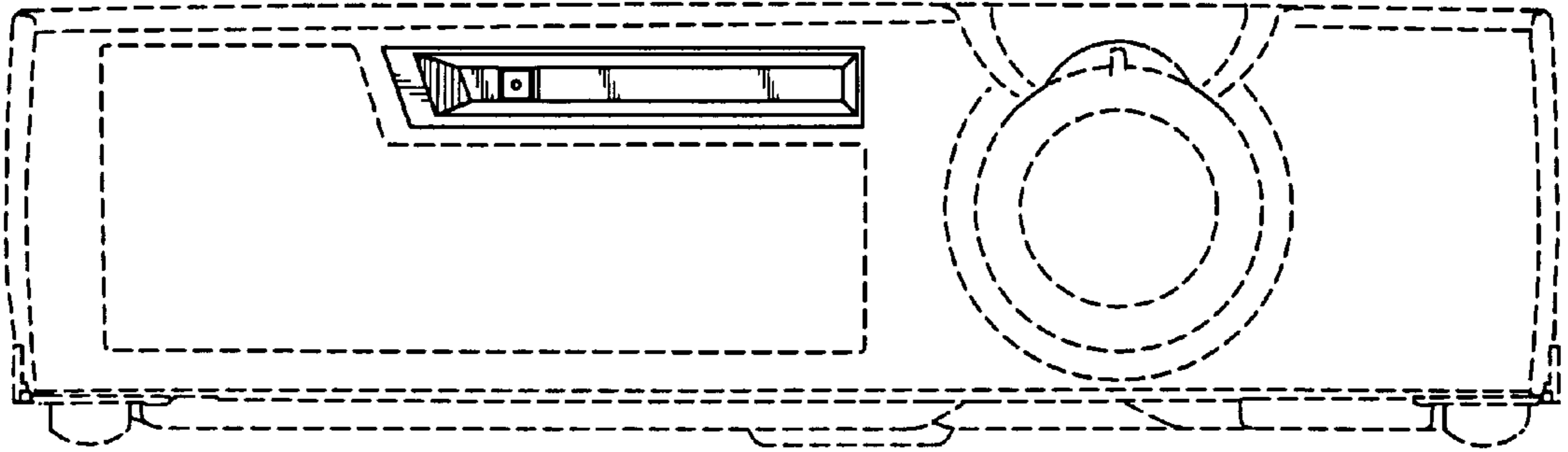


FIG. 3

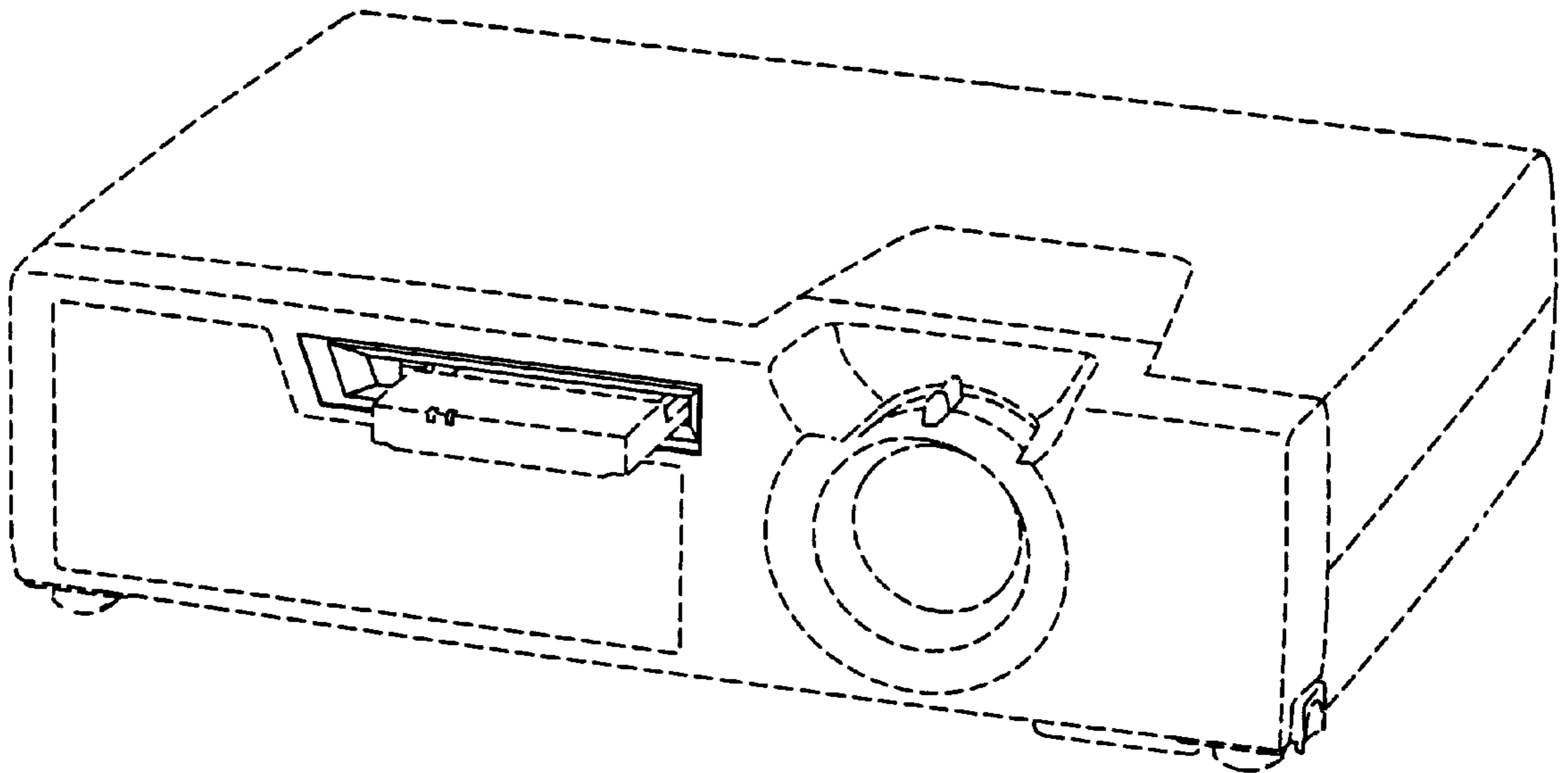


FIG. 4