



US00D489391S

(12) **United States Design Patent**
Morishita et al.

(10) **Patent No.:** **US D489,391 S**

(45) **Date of Patent:** **** May 4, 2004**

(54) **VIDEO PROJECTOR**

D449,061 S * 10/2001 Lim D16/231
D451,941 S * 12/2001 Takizawa D16/230

(75) Inventors: **Yoshihito Morishita**, Osaka (JP);
Kuniyuki Kawamoto, Osaka (JP);
Sadayoshi Azuma, Kyoto (JP)

FOREIGN PATENT DOCUMENTS

JP D. 1096556 1/2001
JP D. 1096557 1/2001

(73) Assignee: **Matsushita Electric Industrial Co., Ltd.** (JP)

OTHER PUBLICATIONS

(**) Term: **14 Years**

Web pages Multimedia Projector "Mitsubishi Electric", Sep. 2000 (LVP-SA51).*

(21) Appl. No.: **29/167,486**

* cited by examiner

(22) Filed: **Sep. 13, 2002**

Primary Examiner—Adir Aronovich

(30) **Foreign Application Priority Data**

(74) *Attorney, Agent, or Firm*—Brinks Hofer Gilson & Lione

Mar. 15, 2002 (JP) 2002-006882

(51) **LOC (7) Cl.** **16-02**

(57) **CLAIM**

(52) **U.S. Cl.** **D16/230; D16/225**

The ornamental design for a video projector, as shown.

(58) **Field of Search** D16/200, 205,
D16/221, 225, 230, 231; D21/514; 353/115,
119, 122

DESCRIPTION

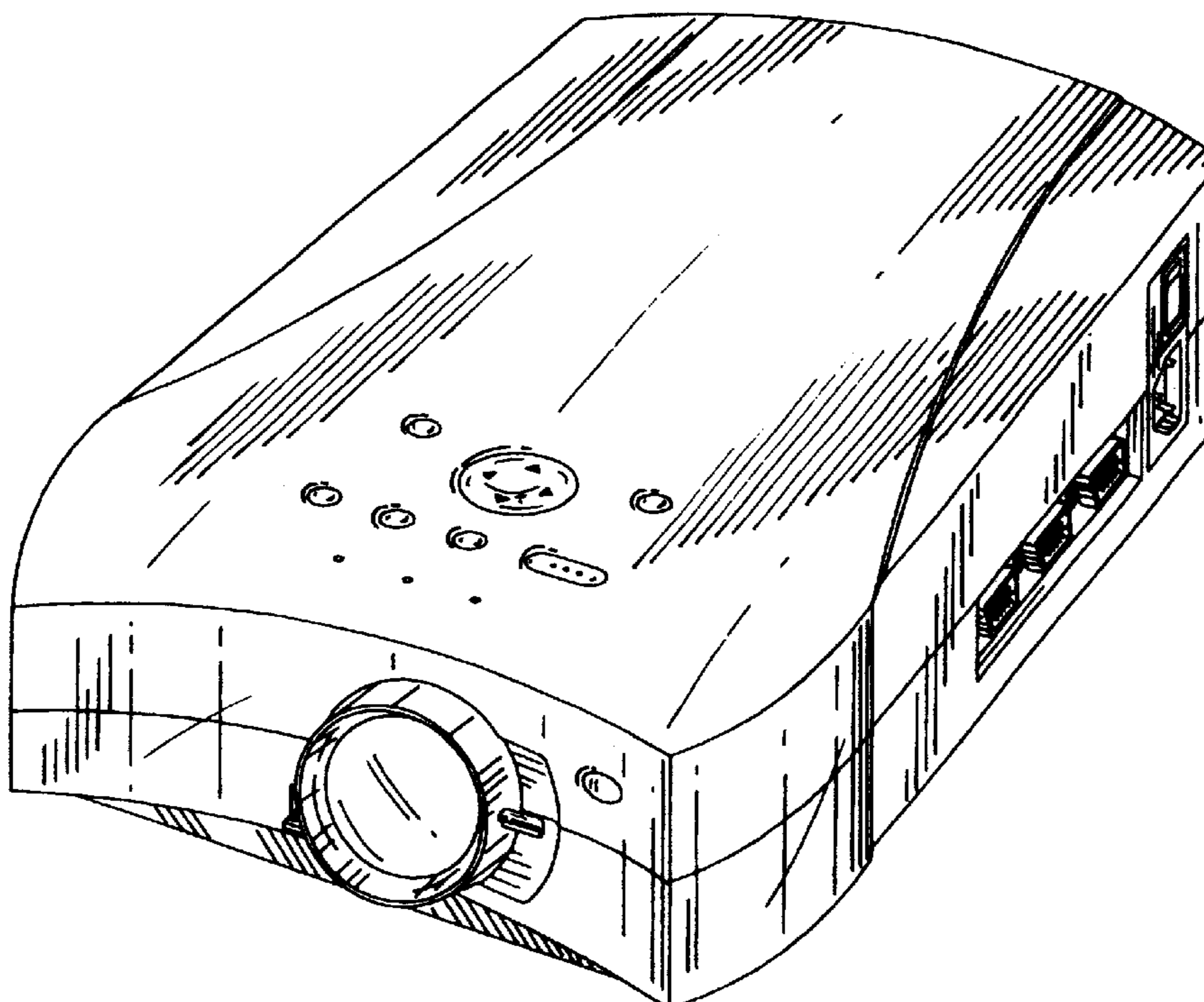
(56) **References Cited**

U.S. PATENT DOCUMENTS

5,868,485 A * 2/1999 Fujimori et al. 353/119
D421,037 S * 2/2000 Kawamoto et al. D16/231
D436,979 S * 1/2001 Yokoyama et al. D16/231
D439,594 S * 3/2001 Komatsu et al. D16/231
D439,923 S * 4/2001 Kawamoto D16/231

FIG. 1 is a perspective view of a video projector showing our new design;
FIG. 2 is a front view thereof;
FIG. 3 is a rear view thereof;
FIG. 4 is a first side view thereof;
FIG. 5 is a second side view thereof;
FIG. 6 is a top view thereof; and,
FIG. 7 is a bottom view thereof.

1 Claim, 7 Drawing Sheets



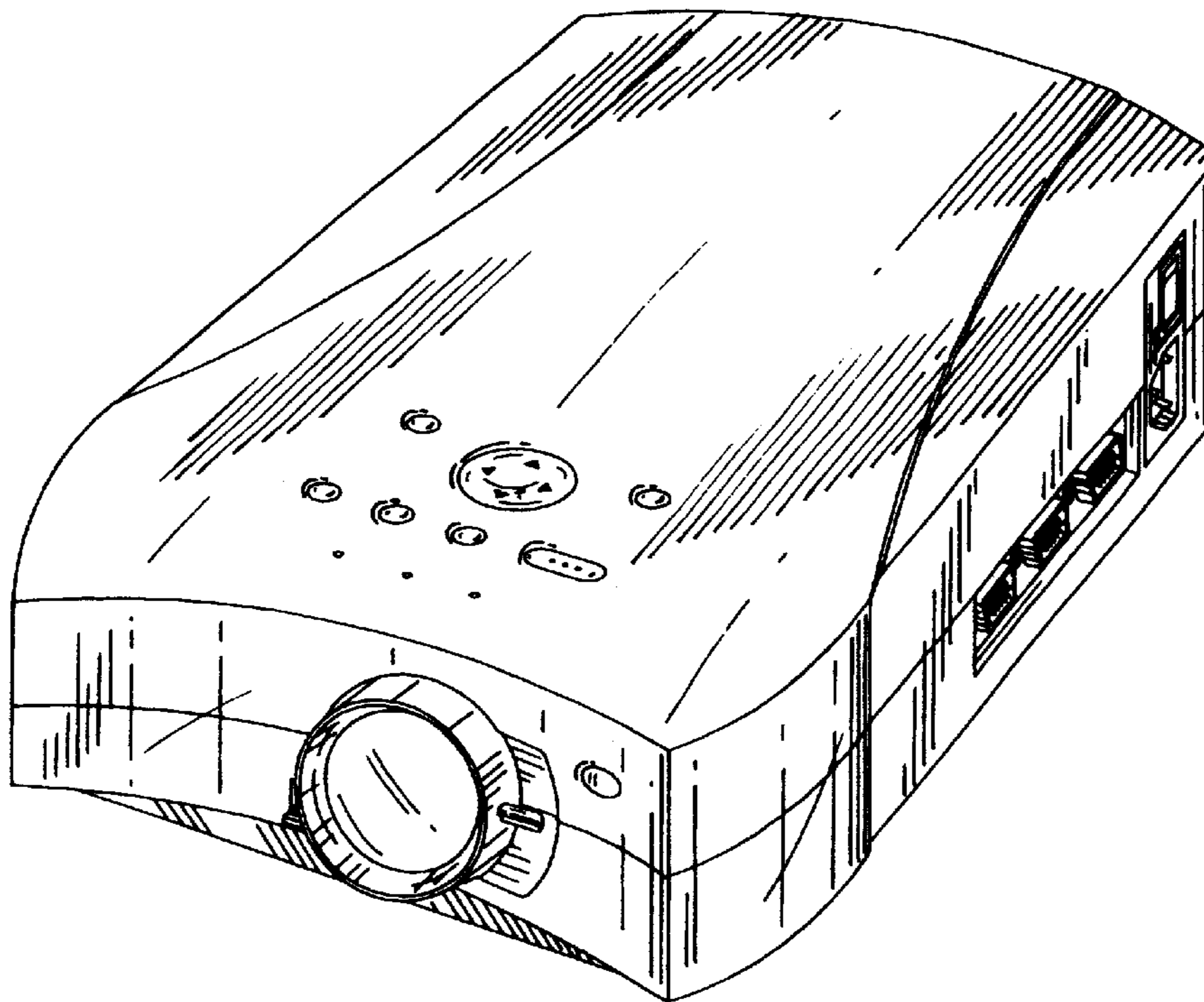


FIG. 1

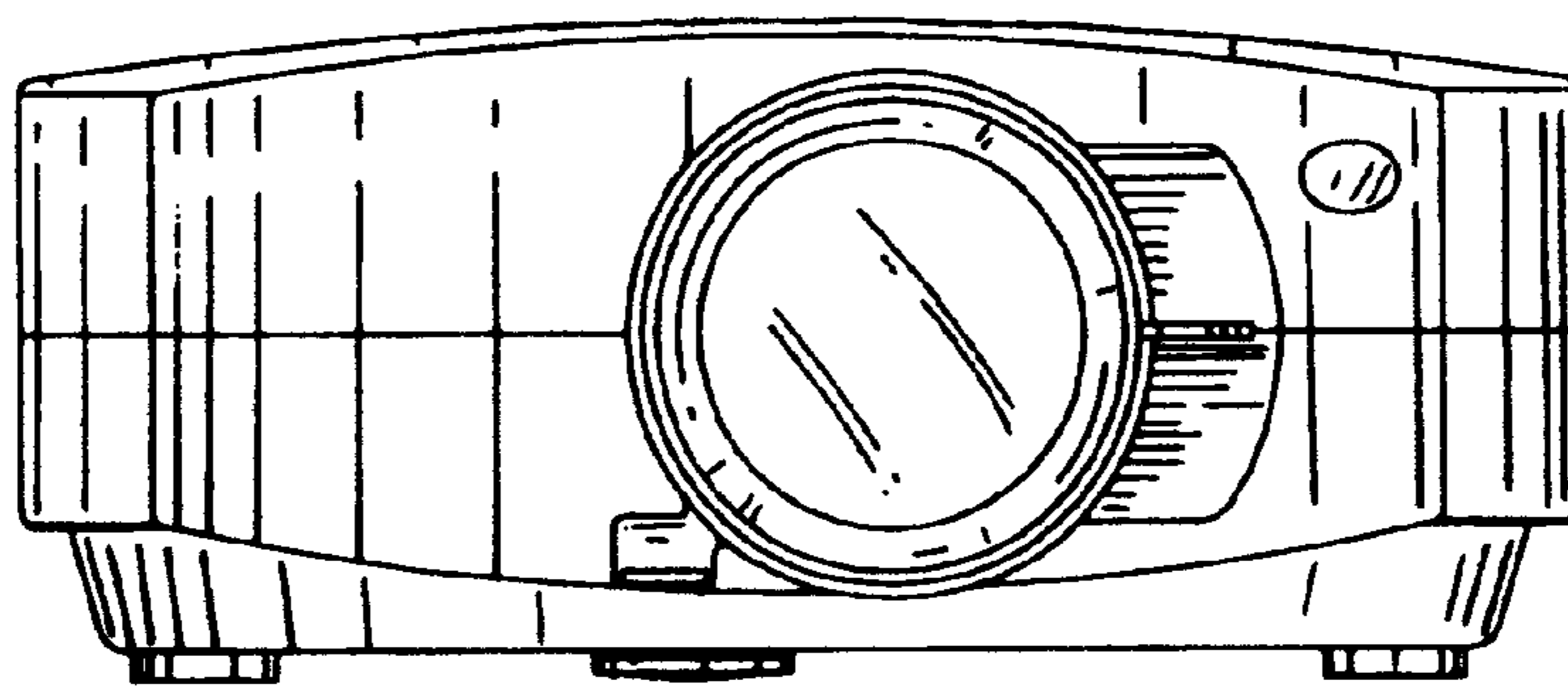


FIG. 2

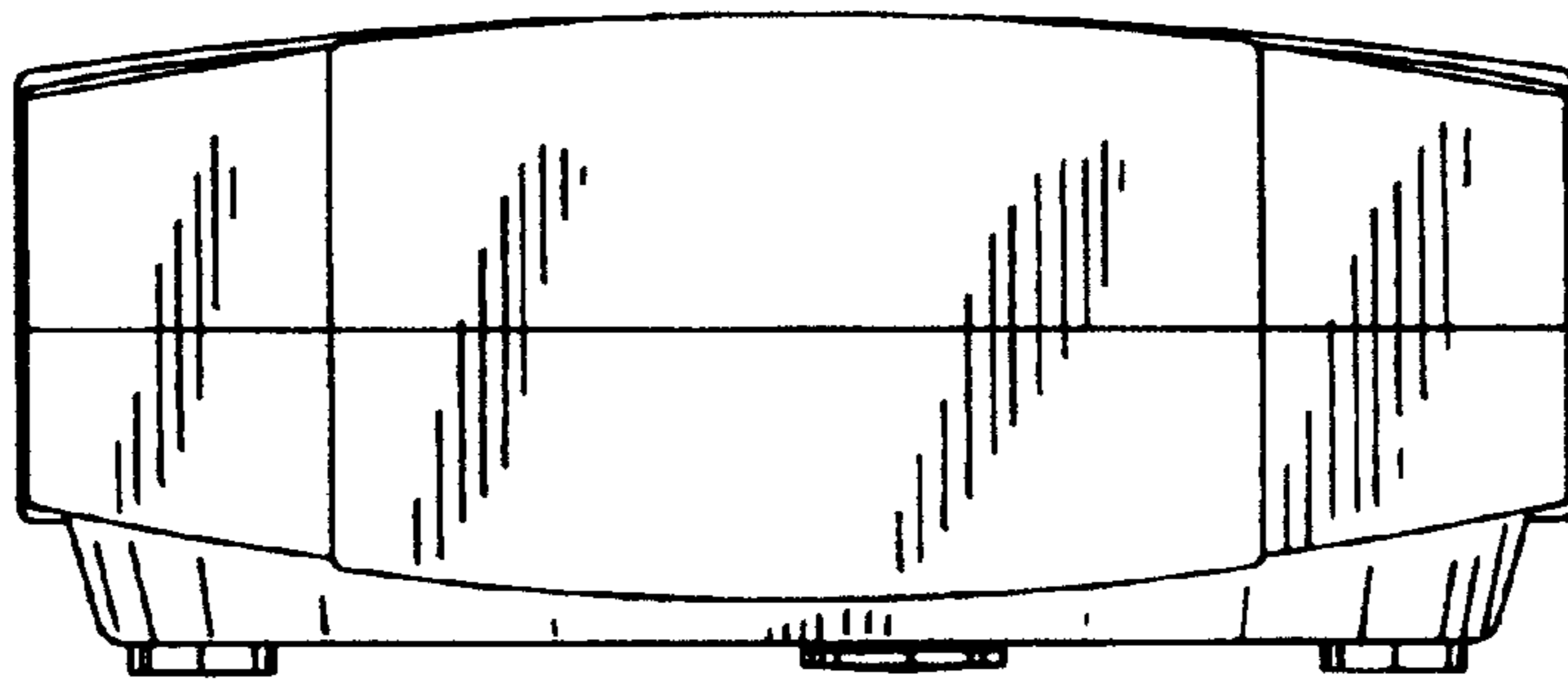


FIG. 3

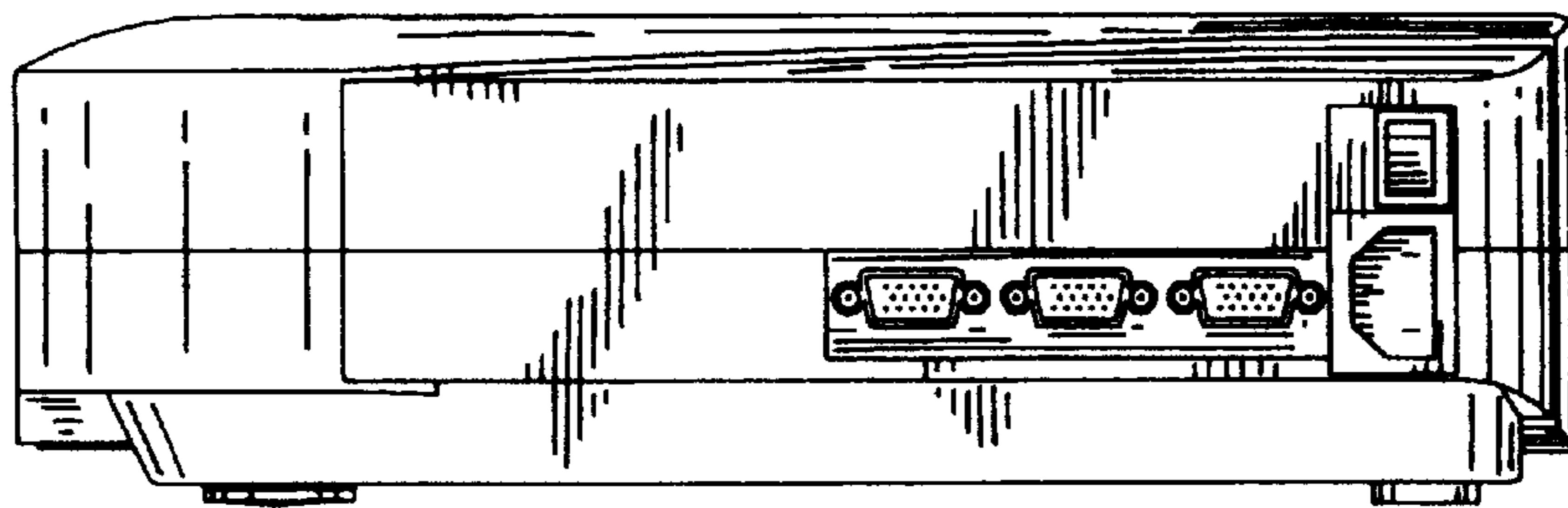


FIG. 4

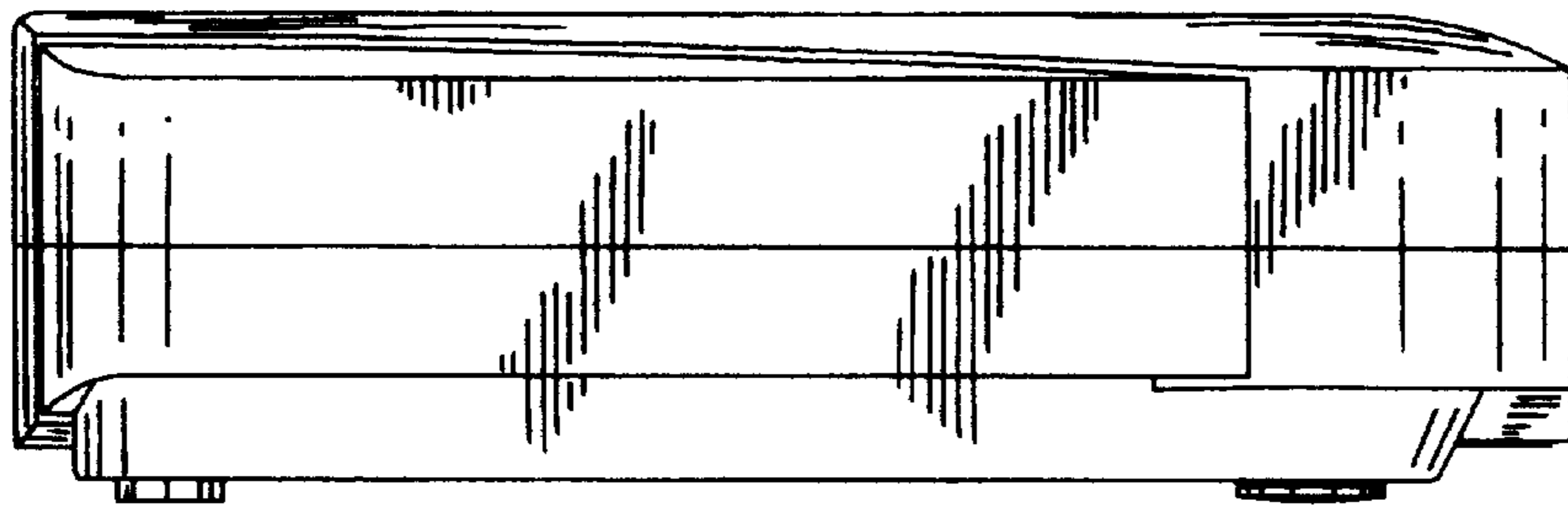


FIG. 5

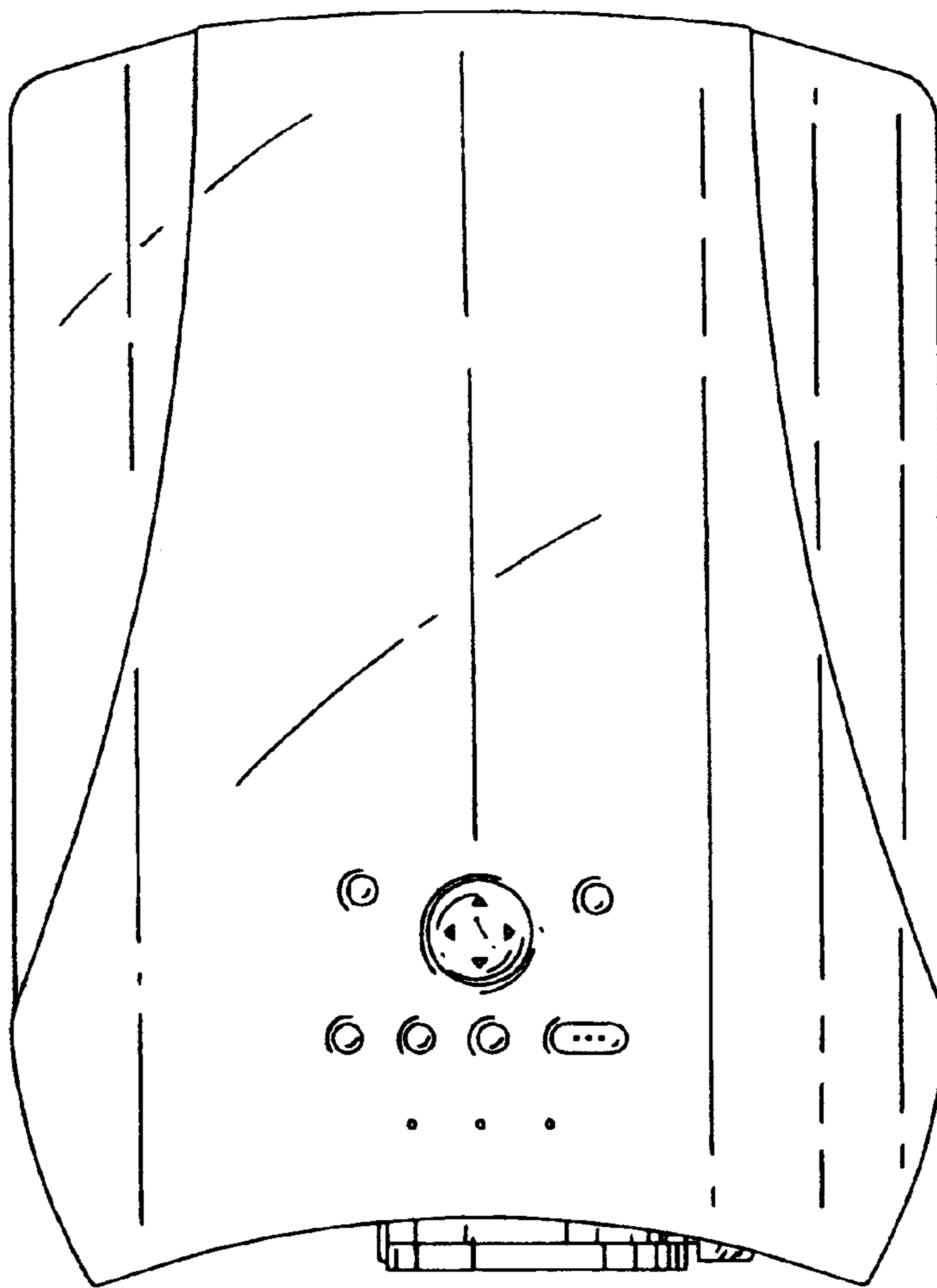


FIG. 6

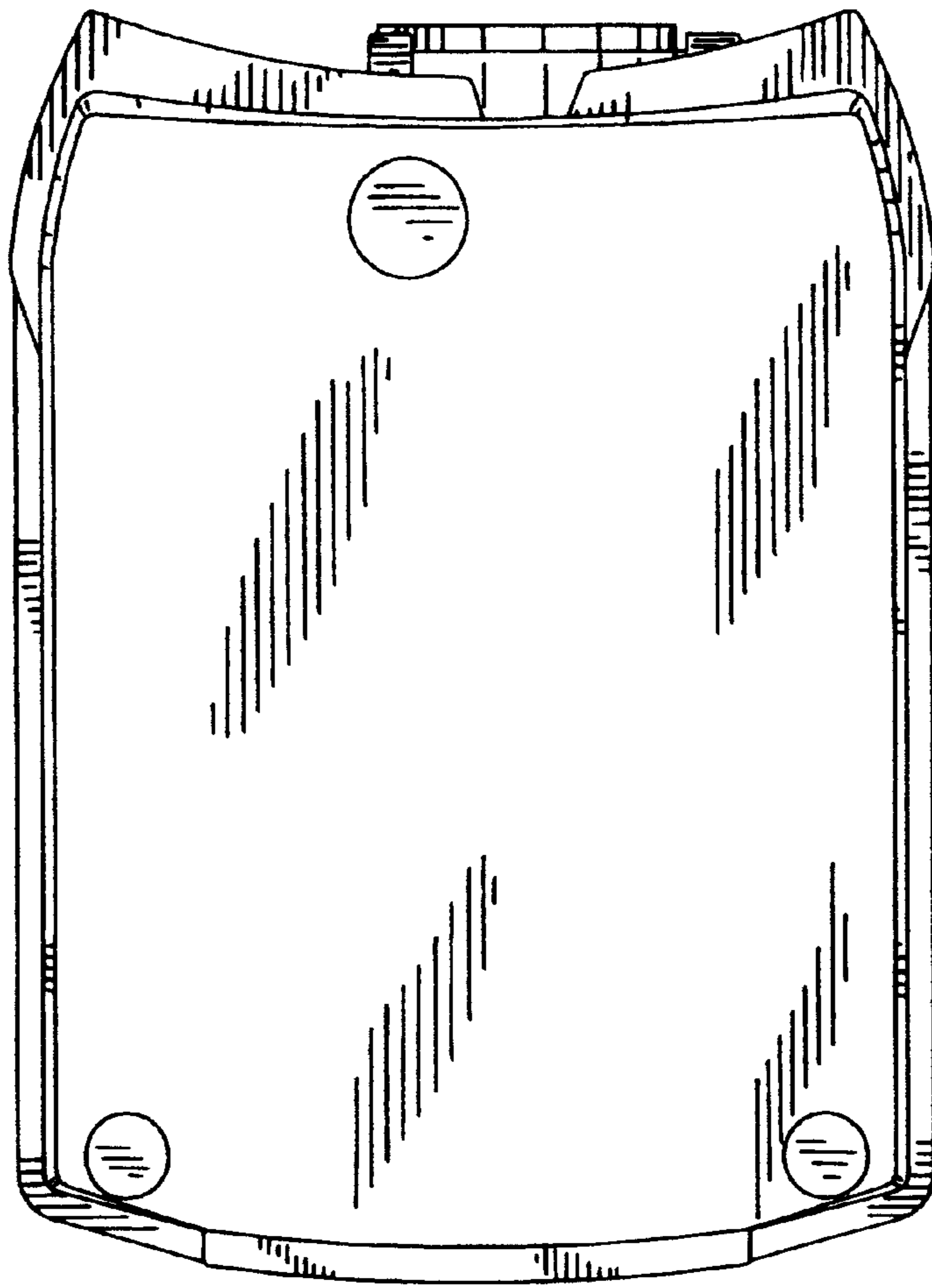


FIG. 7