



US00D489389S

(12) **United States Design Patent**
Naito

(10) **Patent No.:** **US D489,389 S**

(45) **Date of Patent:** **** May 4, 2004**

(54) **DIGITAL CAMERA**

(75) **Inventor:** **Yoshitaka Naito, Oume (JP)**

(73) **Assignee:** **Olympus Corporation, Tokyo (JP)**

(**) **Term:** **14 Years**

(21) **Appl. No.:** **29/179,729**

(22) **Filed:** **Apr. 14, 2003**

Related U.S. Application Data

(62) Division of application No. 29/151,062, filed on Oct. 24, 2001.

(30) **Foreign Application Priority Data**

Aug. 29, 2001	(JP)	2001-025346
Aug. 29, 2001	(JP)	2001-025347
Aug. 29, 2001	(JP)	2001-025348
Aug. 29, 2001	(JP)	2001-025349
Aug. 29, 2001	(JP)	2001-025350

(51) **LOC (7) Cl.** **16-05**

(52) **U.S. Cl.** **D16/219; D16/212; D16/202**

(58) **Field of Search** **D16/200-204, D16/208, 209, 212, 213, 218, 219; 348/373-376; 358/906, 909.1; 396/6, 7, 349, 448, 535-541**

(56) **References Cited**

U.S. PATENT DOCUMENTS

D384,684	S	10/1997	Hamamura	D16/209
5,913,089	A	* 6/1999	Ebe	396/448
D412,518	S	8/1999	Naito	D16/212
D415,511	S	* 10/1999	Funakoshi et al.	D16/209

D437,606	S	2/2001	Suto et al.	D16/218
D437,868	S	2/2001	Naito	D16/212
D449,059	S	10/2001	Shimobayashi	D16/202
6,347,893	B1	* 2/2002	Shiono et al.	396/448
D456,036	S	* 4/2002	Suzuki et al.	D16/219
D471,577	S	* 3/2003	Horikiri	D16/219

FOREIGN PATENT DOCUMENTS

JP 7-037238 12/1995

* cited by examiner

Primary Examiner—Adir Aronovich

(74) *Attorney, Agent, or Firm*—Hogan & Hartson LLP

(57) **CLAIM**

The ornamental design for a digital camera, as shown and described.

DESCRIPTION

FIG. 1 is a front, top and right side perspective view of a digital camera showing my new design;
 FIG. 2 is a front elevational view thereof;
 FIG. 3 is a rear elevational view thereof;
 FIG. 4 is a top plan view thereof;
 FIG. 5 is a bottom plan view thereof;
 FIG. 6 is a right side elevational view thereof;
 FIG. 7 is a left side elevational view thereof;
 FIG. 8 is a front, top and right side perspective view with a barrier in an opened position; and,
 FIG. 9 is a front elevational view thereof.

The portions of the article in broken lines are shown for illustrative purposes only and form no part of the claimed design.

1 Claim, 5 Drawing Sheets

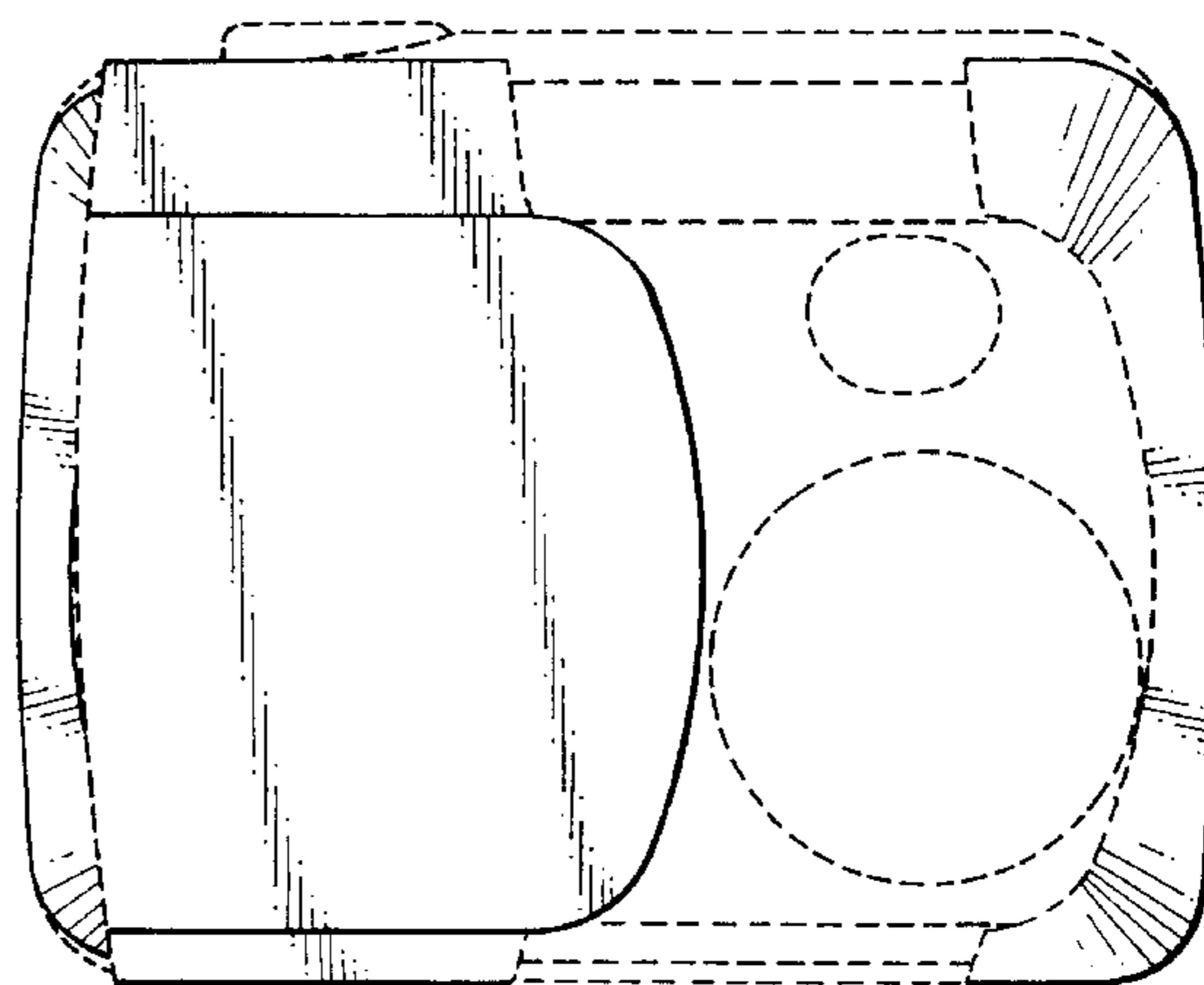
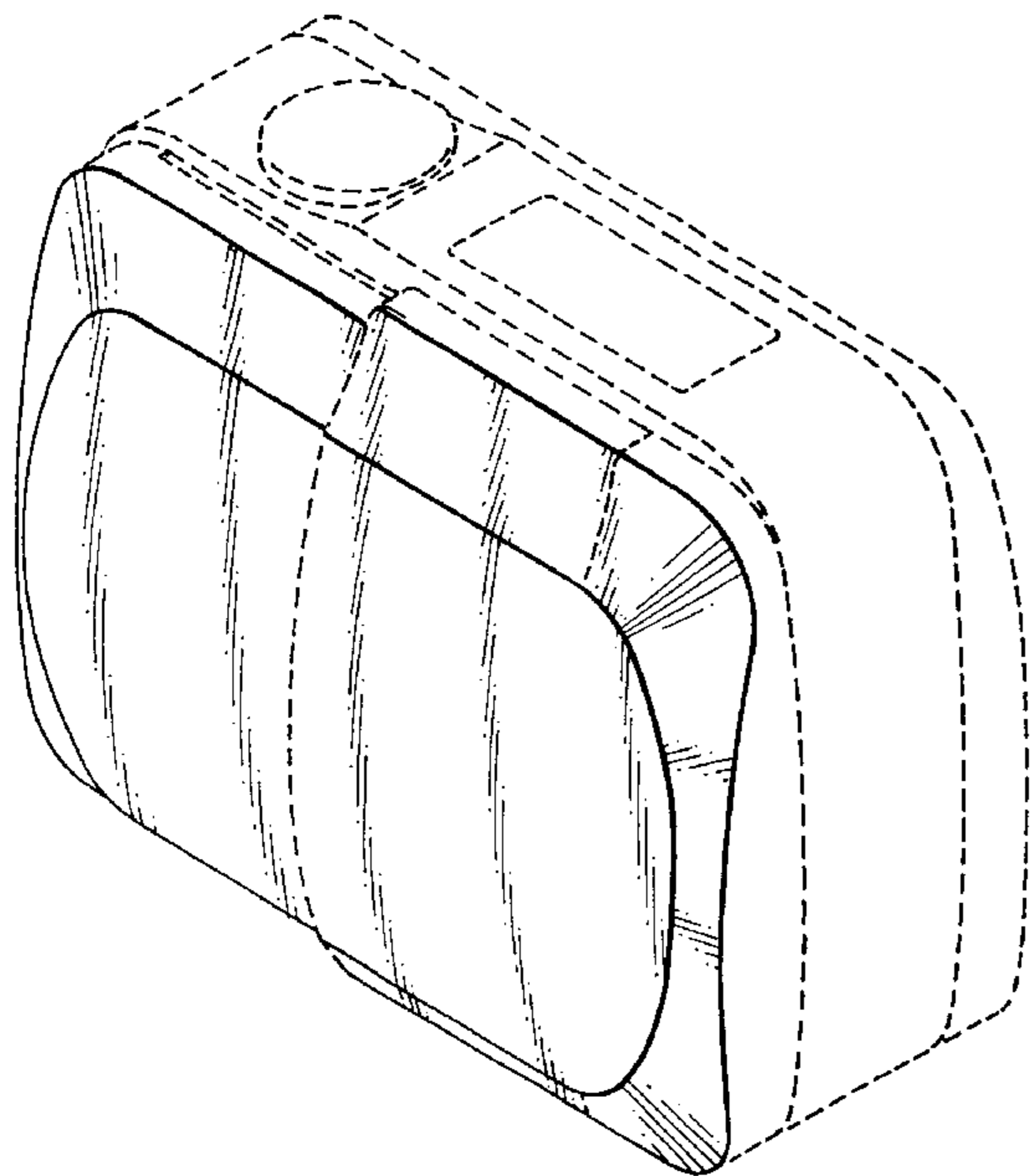


FIG. 1

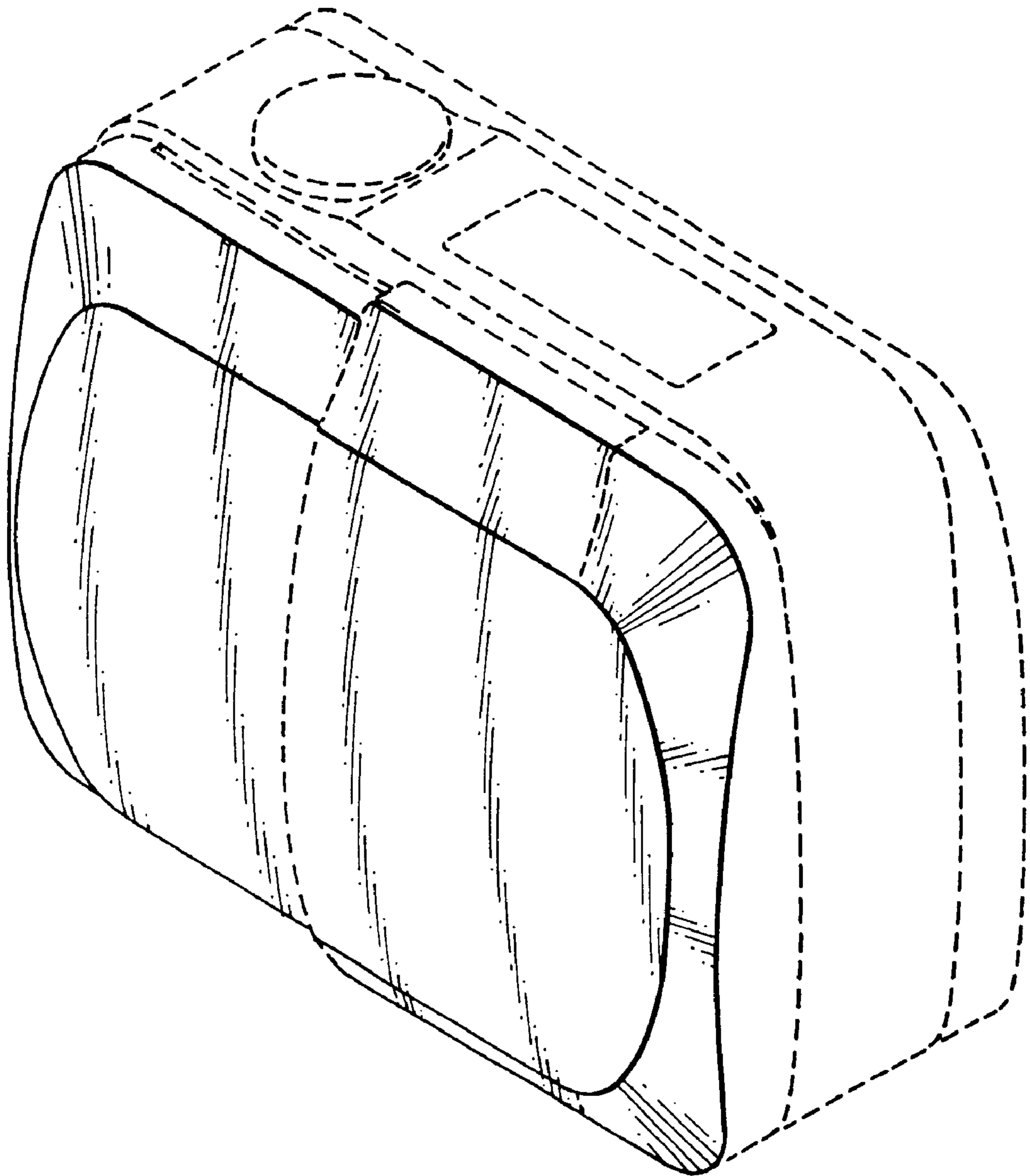


FIG. 2

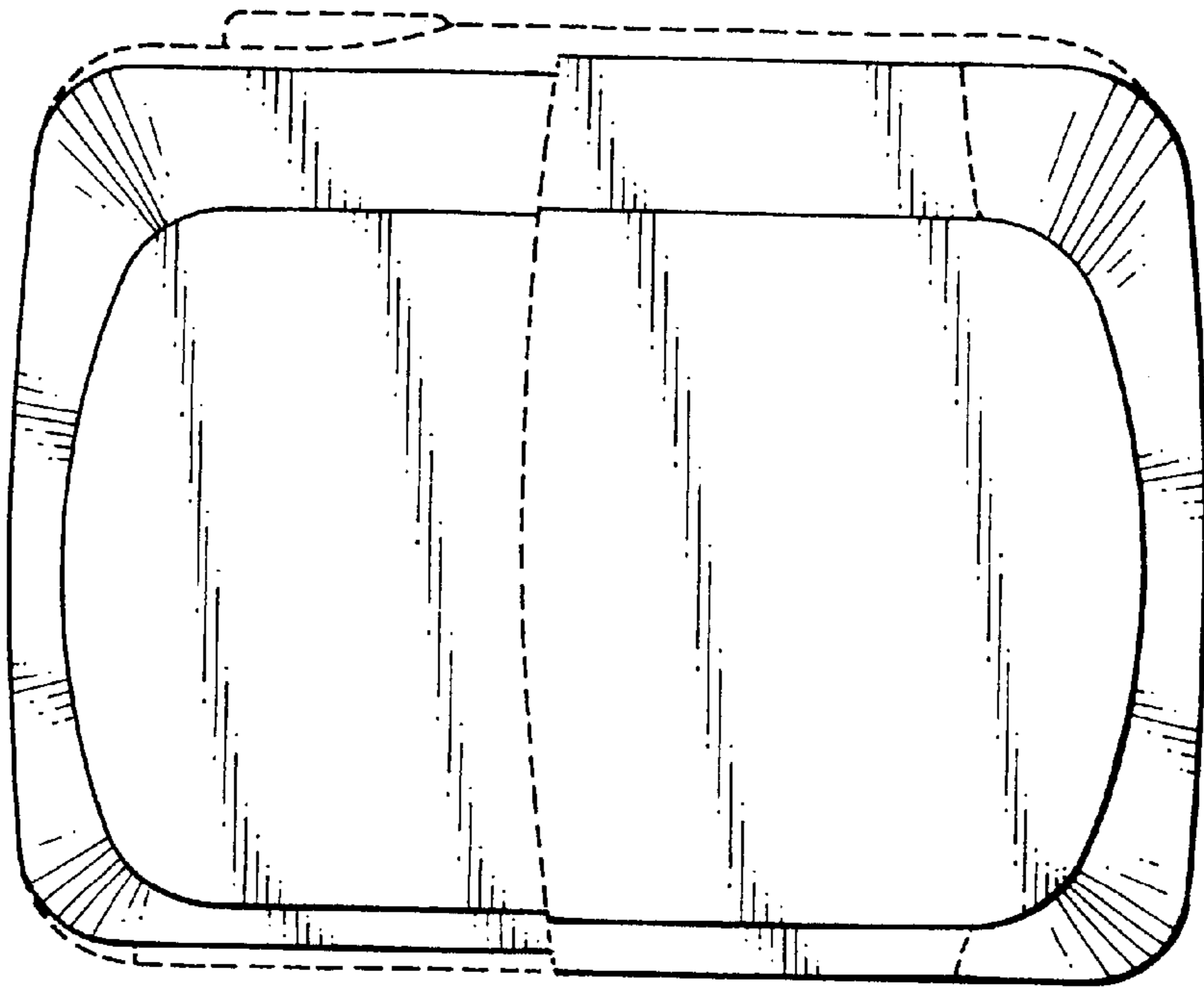


FIG. 3

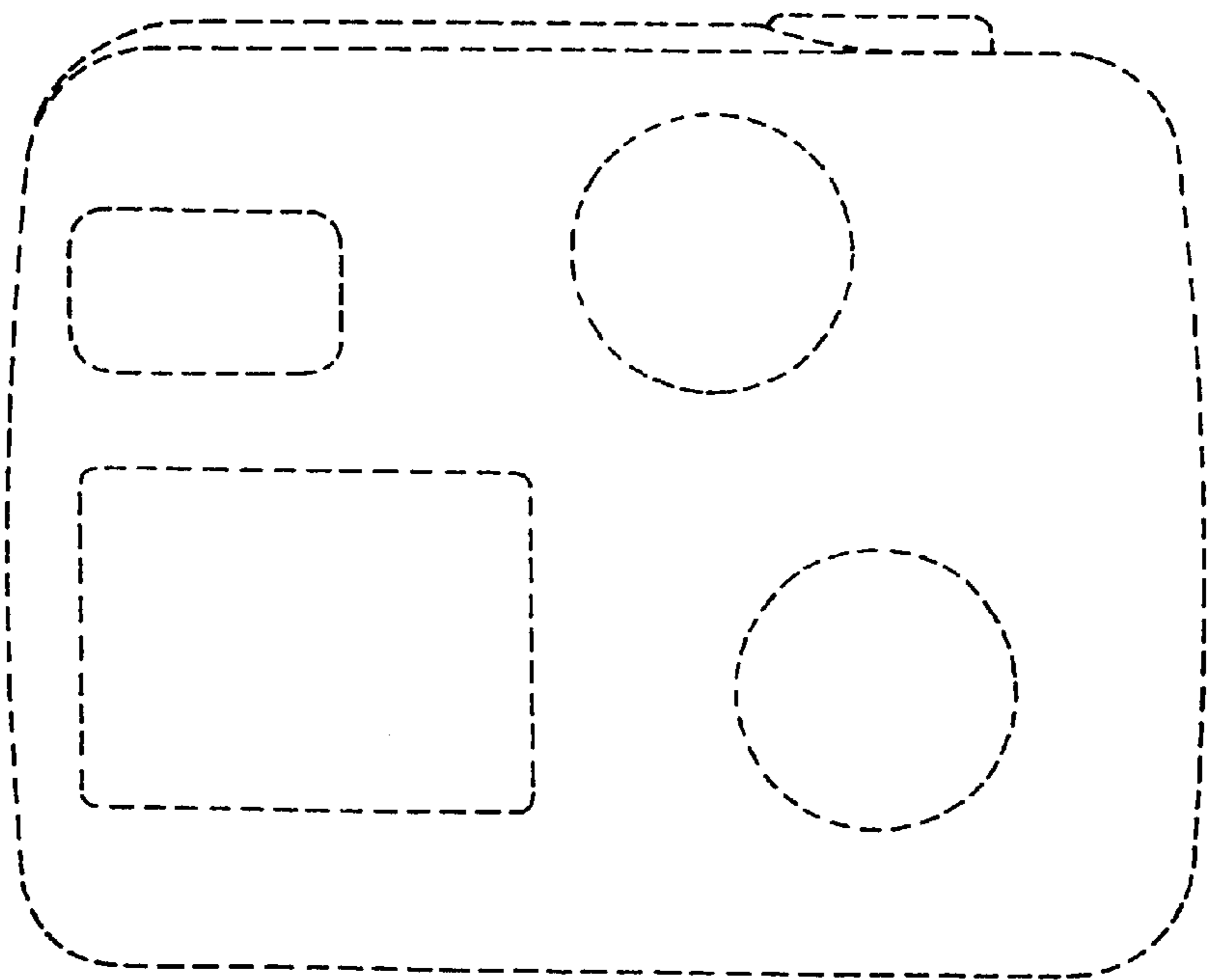


FIG. 4

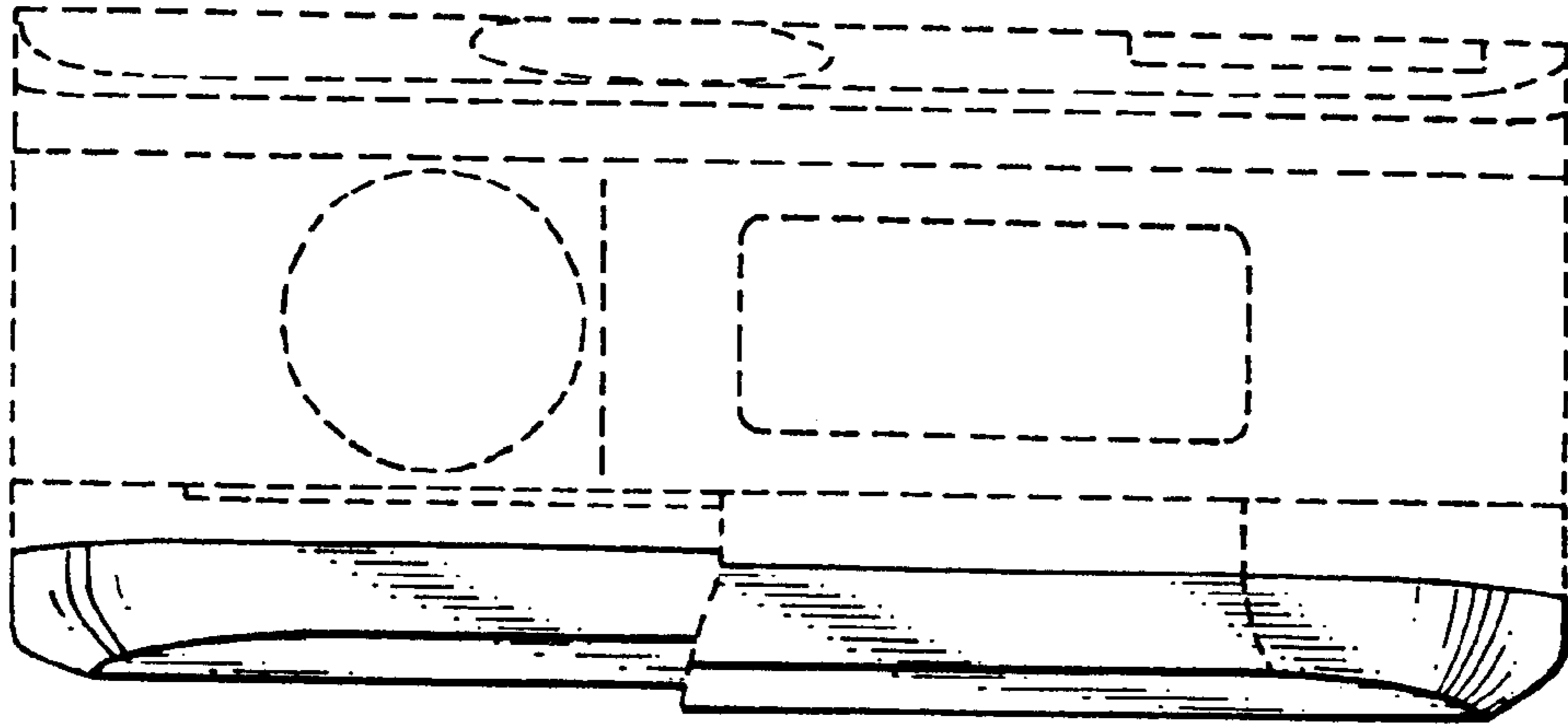


FIG. 5

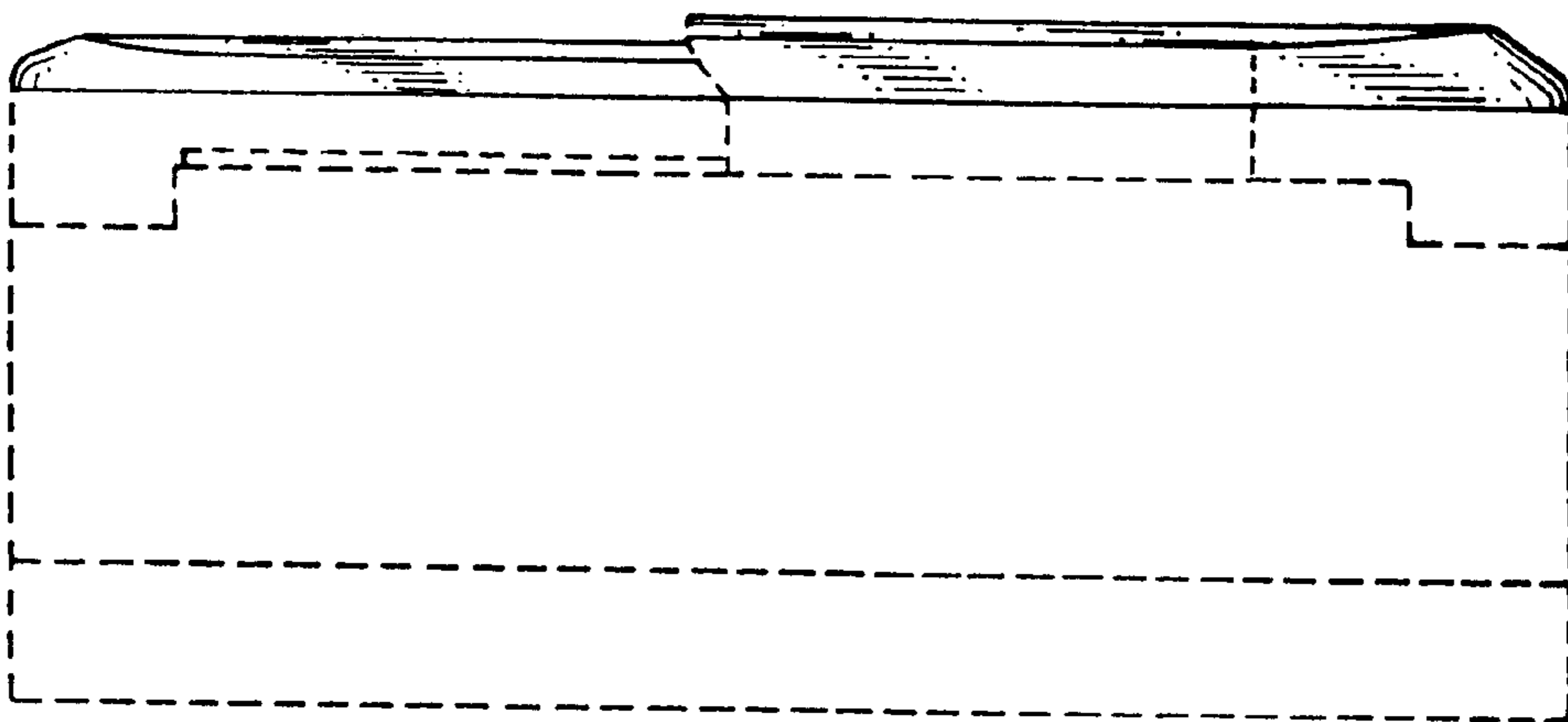


FIG. 6

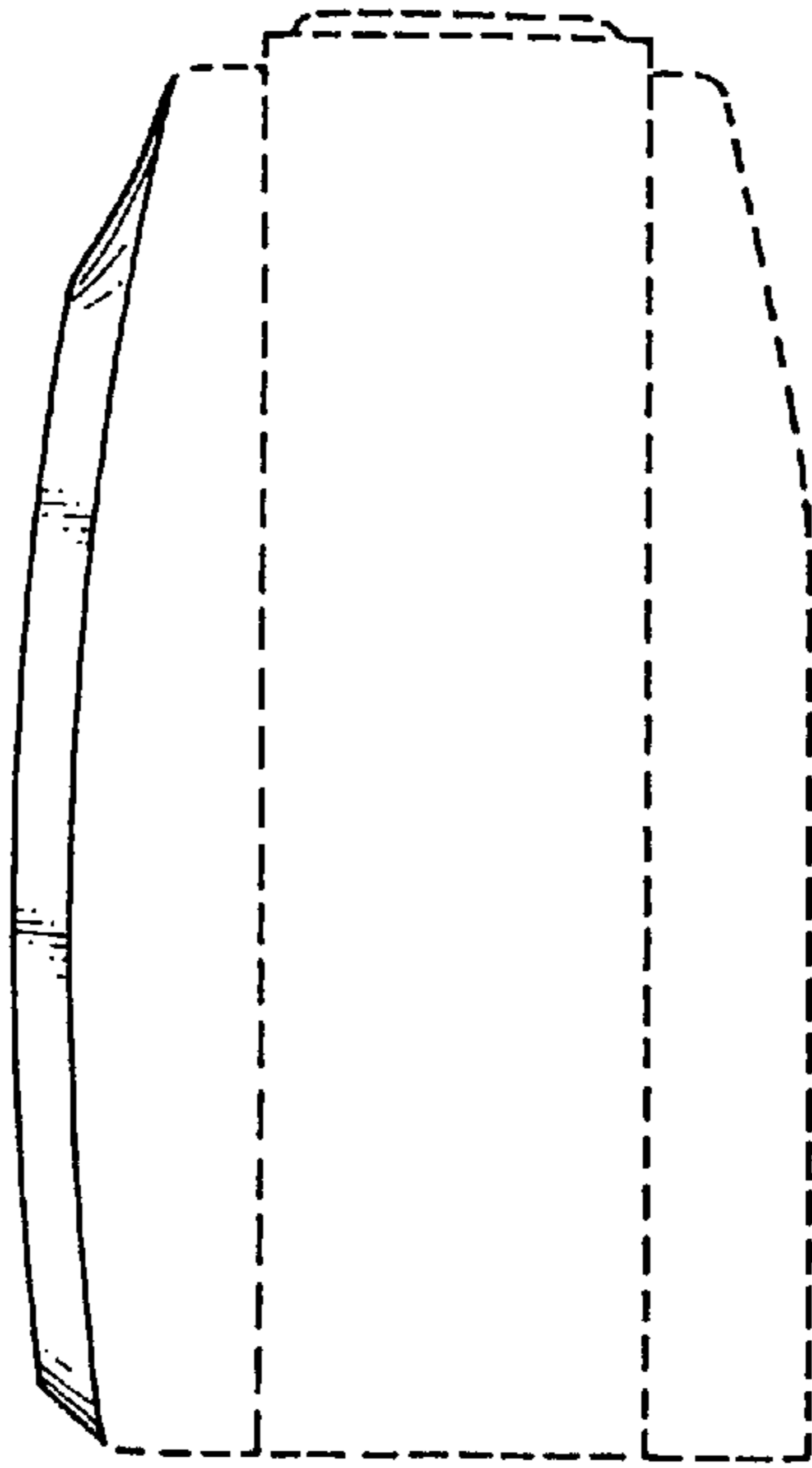


FIG. 7

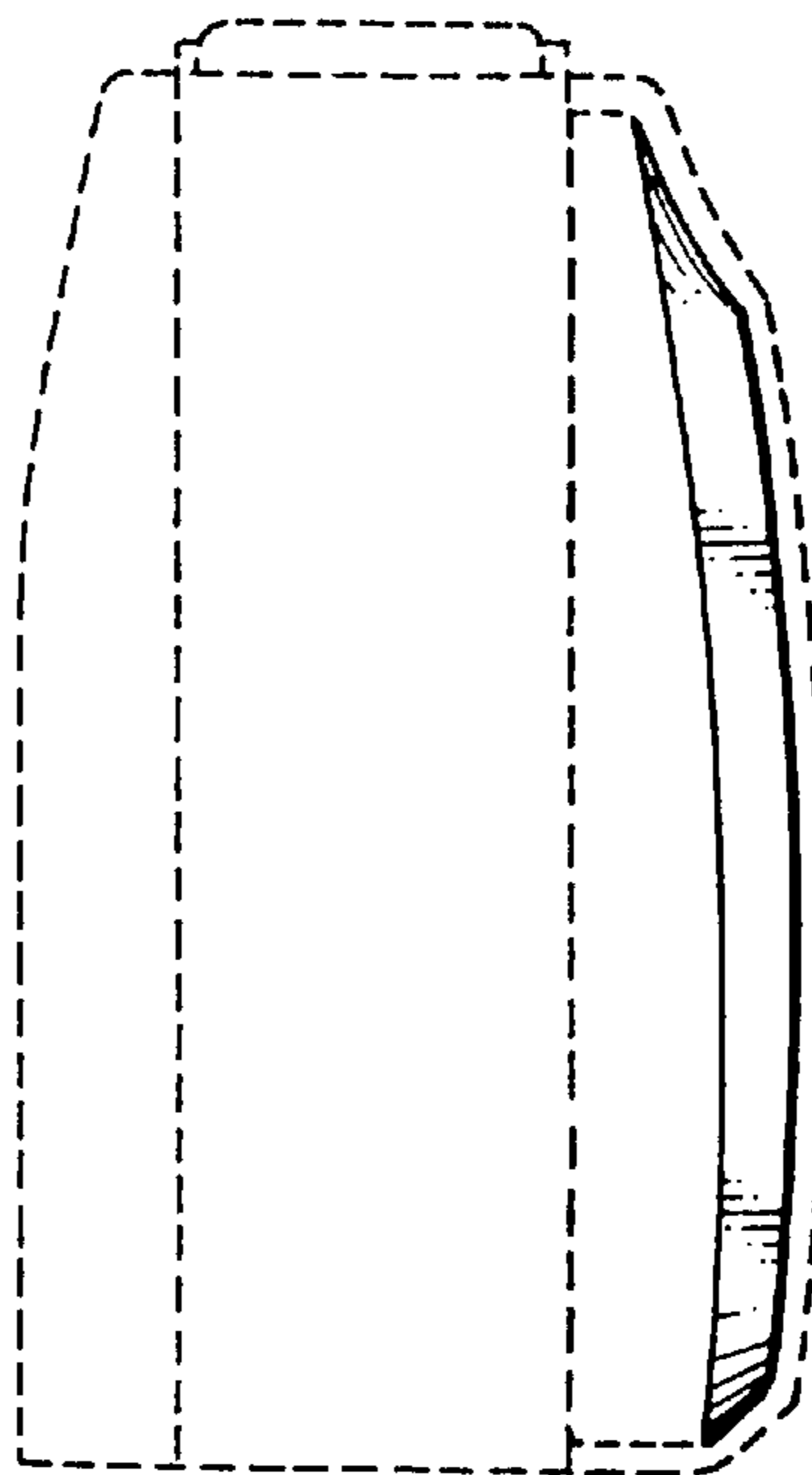


FIG. 8

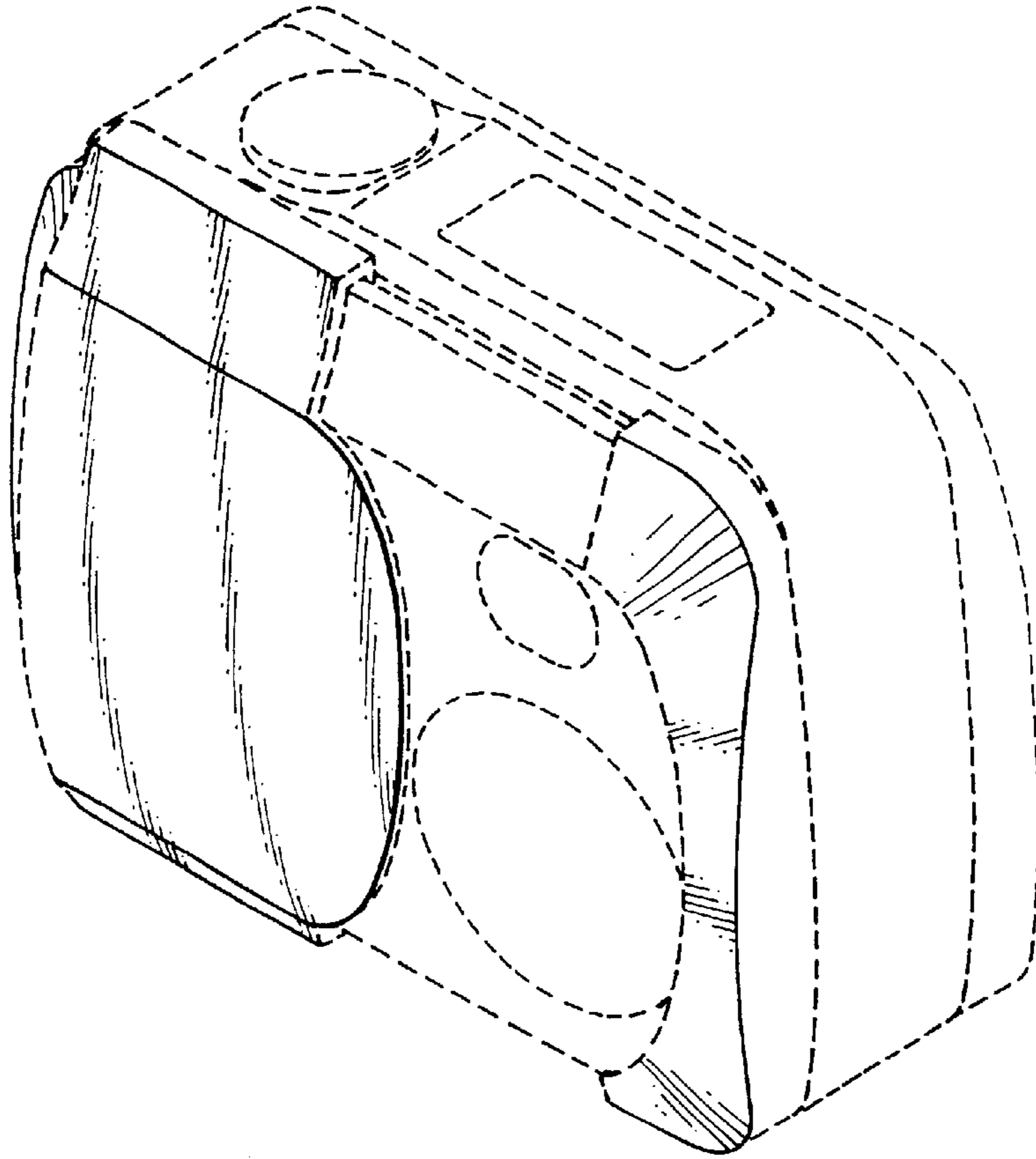


FIG. 9

