



US00D489388S

(12) **United States Design Patent**  
**Saito et al.**

(10) **Patent No.:** **US D489,388 S**

(45) **Date of Patent:** **\*\* May 4, 2004**

(54) **CAMERA MODULE**

(75) Inventors: **Masahiro Saito**, Yamagata (JP);  
**Yukihiro Furusawa**, Yamagata (JP);  
**Kazuhiro Yaegashi**, Yamagata (JP)

(73) Assignee: **Mitsumi Electric Co., Ltd.**, Tokyo (JP)

(\*\*) Term: **14 Years**

(21) Appl. No.: **29/175,347**

(22) Filed: **Feb. 4, 2003**

(30) **Foreign Application Priority Data**

Aug. 5, 2002 (JP) ..... 2002-020889

(51) **LOC (7) Cl.** ..... **16-01**

(52) **U.S. Cl.** ..... **D16/218; D16/200**

(58) **Field of Search** ..... D16/200-204,  
D16/208, 218, 219; 348/373-376; 358/906,  
909.1; 396/6, 7, 427, 535-541

(56) **References Cited**

**U.S. PATENT DOCUMENTS**

4,825,302 A \* 4/1989 Tezuka et al. .... 358/906

D382,578 S \* 8/1997 Cieslikowski ..... D16/200  
D450,075 S \* 11/2001 Uehara ..... D16/203  
D473,251 S \* 4/2003 Katayama ..... D16/218  
D474,221 S \* 5/2003 Cheng ..... D16/218  
D475,382 S \* 6/2003 Horikiri ..... D16/202  
2003/0112364 A1 \* 6/2003 Yoshinori et al. .... 348/375

\* cited by examiner

*Primary Examiner*—Adir Aronovich

(74) *Attorney, Agent, or Firm*—Sughrue Mion, PLLC

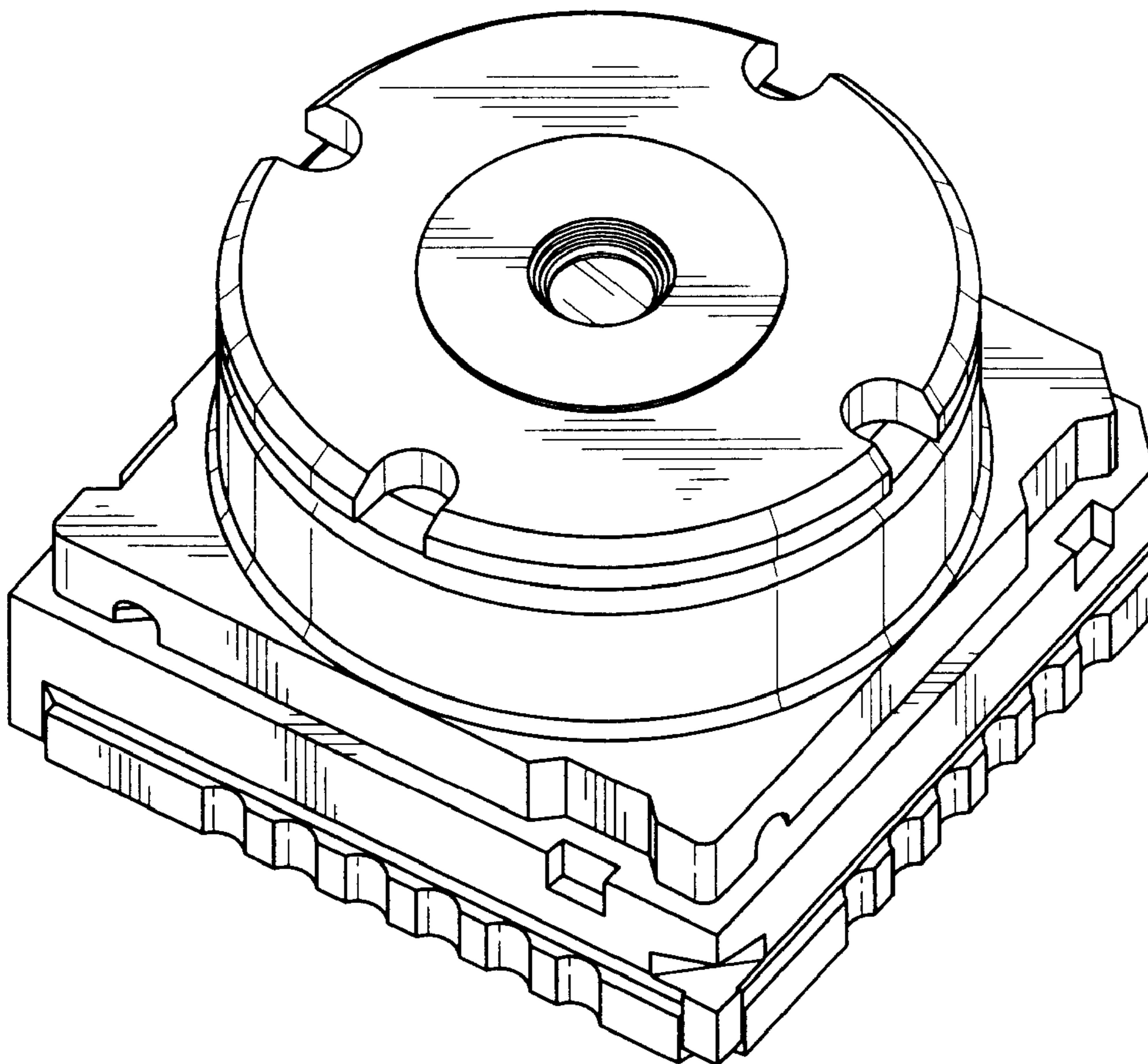
(57) **CLAIM**

The ornamental design for a camera module, as shown.

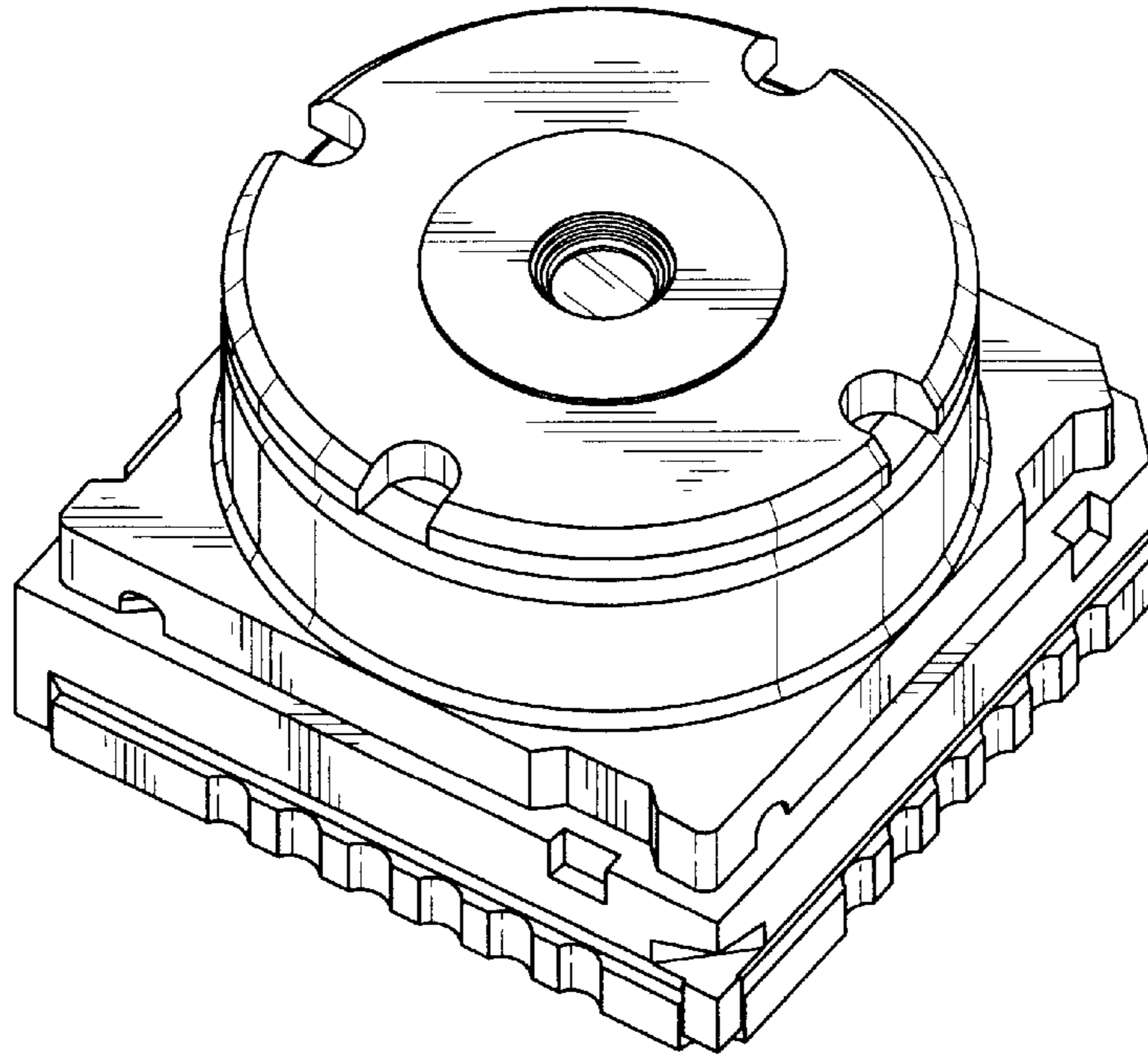
**DESCRIPTION**

FIG. 1 is a perspective view of the top, front and right side of a camera module showing our new design; FIG. 2 is a top plan view thereof; FIG. 3 is a bottom plan view thereof; FIG. 4 is a right side elevational view thereof; FIG. 5 is a left side elevational view thereof; FIG. 6 is a rear elevational view thereof; and, FIG. 7 is a front elevational view thereof.

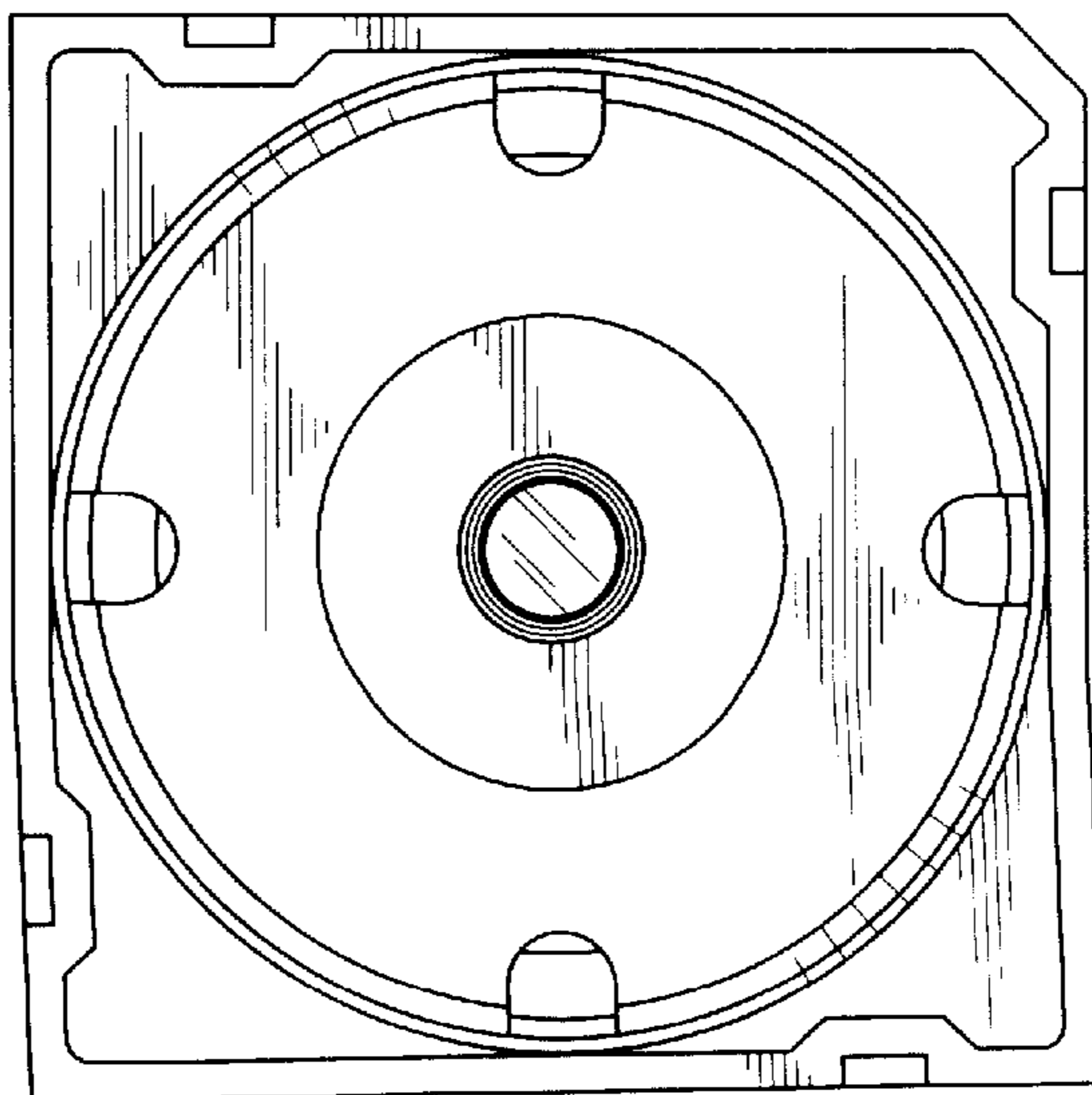
**1 Claim, 3 Drawing Sheets**



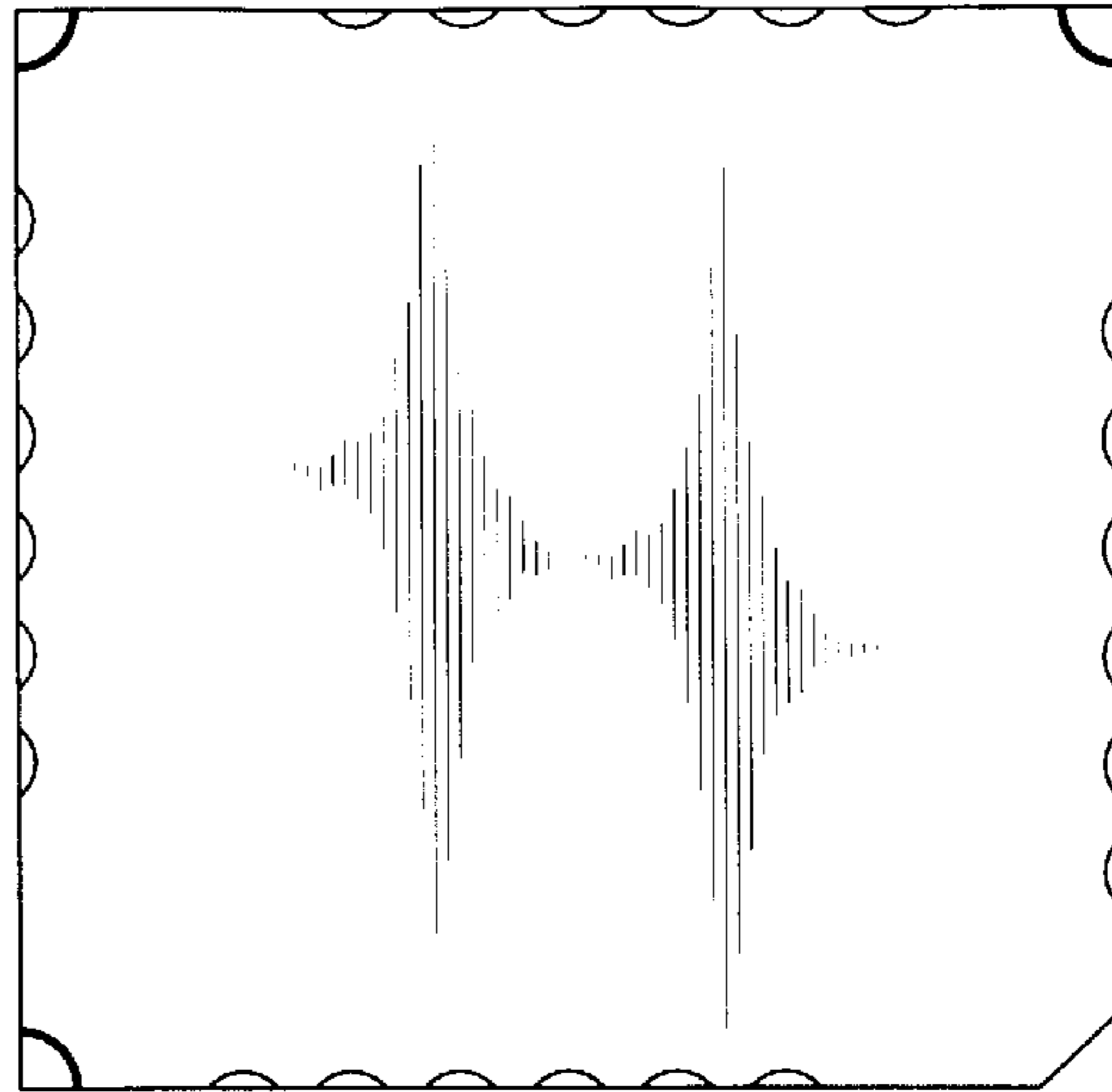
*FIG. 1*



*FIG. 2*



*FIG. 3*



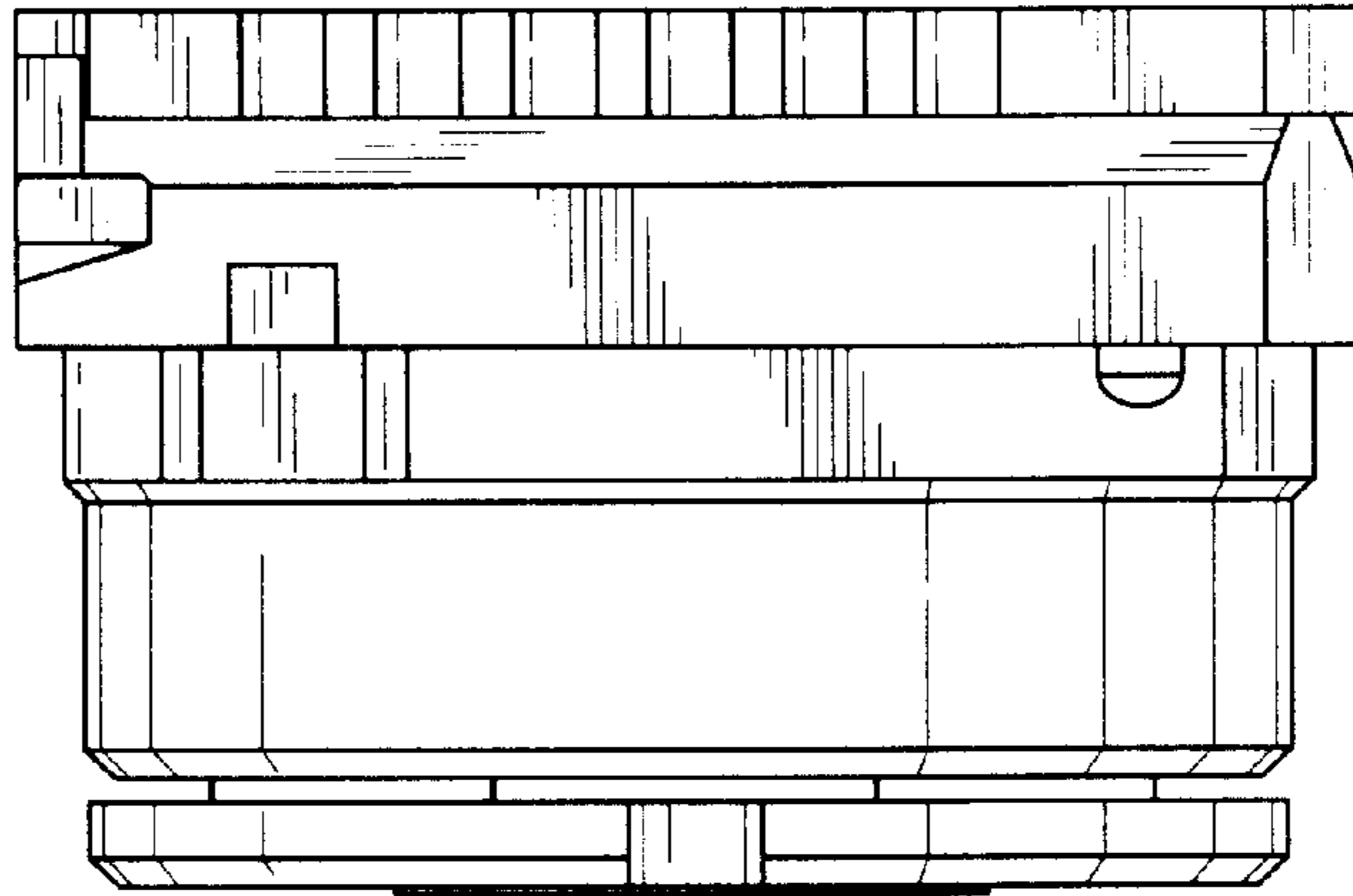
*FIG. 4*



*FIG. 5*



*FIG. 6*



*FIG. 7*

