



US00D489386S

(12) **United States Design Patent**
Lewellen et al.

(10) **Patent No.:** **US D489,386 S**

(45) **Date of Patent:** **** May 4, 2004**

(54) **NIGHT VISION CAMERA**

(75) Inventors: **Mark A. Lewellen**, Ozark, MO (US);
Jonathan W. Rimington, Springfield,
MO (US)

(73) Assignee: **Aurora DNV, L.L.C.**, Springdale, AR
(US)

(**) Term: **14 Years**

(21) Appl. No.: **29/171,507**

(22) Filed: **Nov. 22, 2002**

(51) **LOC (7) Cl.** **16-01**

(52) **U.S. Cl.** **D16/203**

(58) **Field of Search** D16/200-205,
D16/208, 218, 230, 231; 250/330; 348/143,
148, 164, 373-376; 359/630, 632; 396/421,
427, 535-541

(56) **References Cited**

U.S. PATENT DOCUMENTS

3,568,583 A * 3/1971 Horberg, Jr. 348/143

D339,598 S * 9/1993 Shimizu D16/203

5,444,507 A * 8/1995 Palmer 396/421

5,745,170 A * 4/1998 Palmer 348/373

D424,081 S * 5/2000 Gordon D16/231

* cited by examiner

Primary Examiner—Adir Aronovich

(74) *Attorney, Agent, or Firm*—Martin & Associates,
L.L.C.; Derek P. Martin

(57) **CLAIM**

The ornamental design for a night vision camera, as shown
and described.

DESCRIPTION

FIG. 1 is a perspective view of a night vision camera
showing my new design;

FIG. 2 is a side view thereof;

FIG. 3 is an opposing side view thereof;

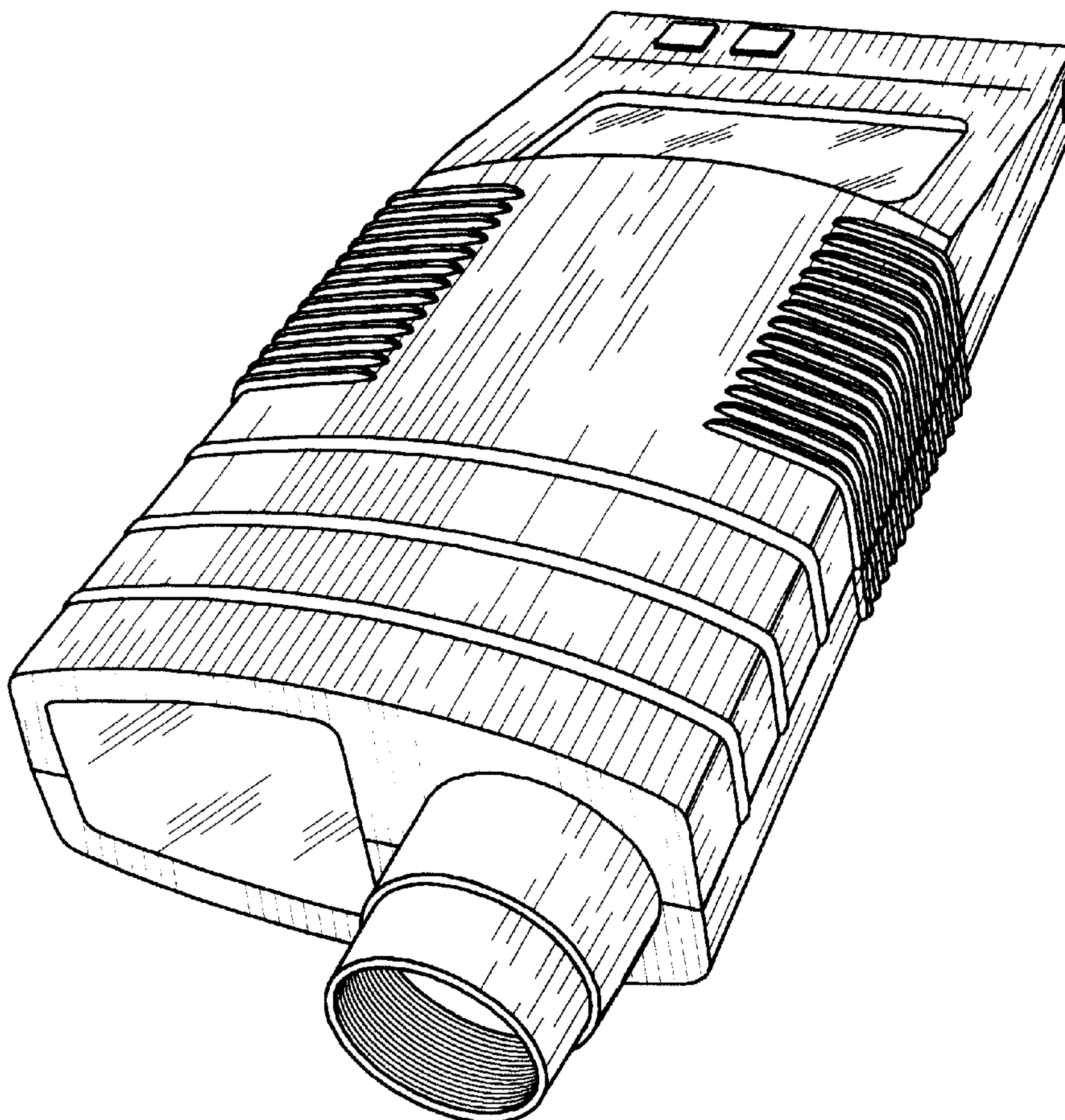
FIG. 4 is a top view thereof;

FIG. 5 is a bottom view thereof;

FIG. 6 is a back view thereof; and,

FIG. 7 is a front view thereof.

1 Claim, 2 Drawing Sheets



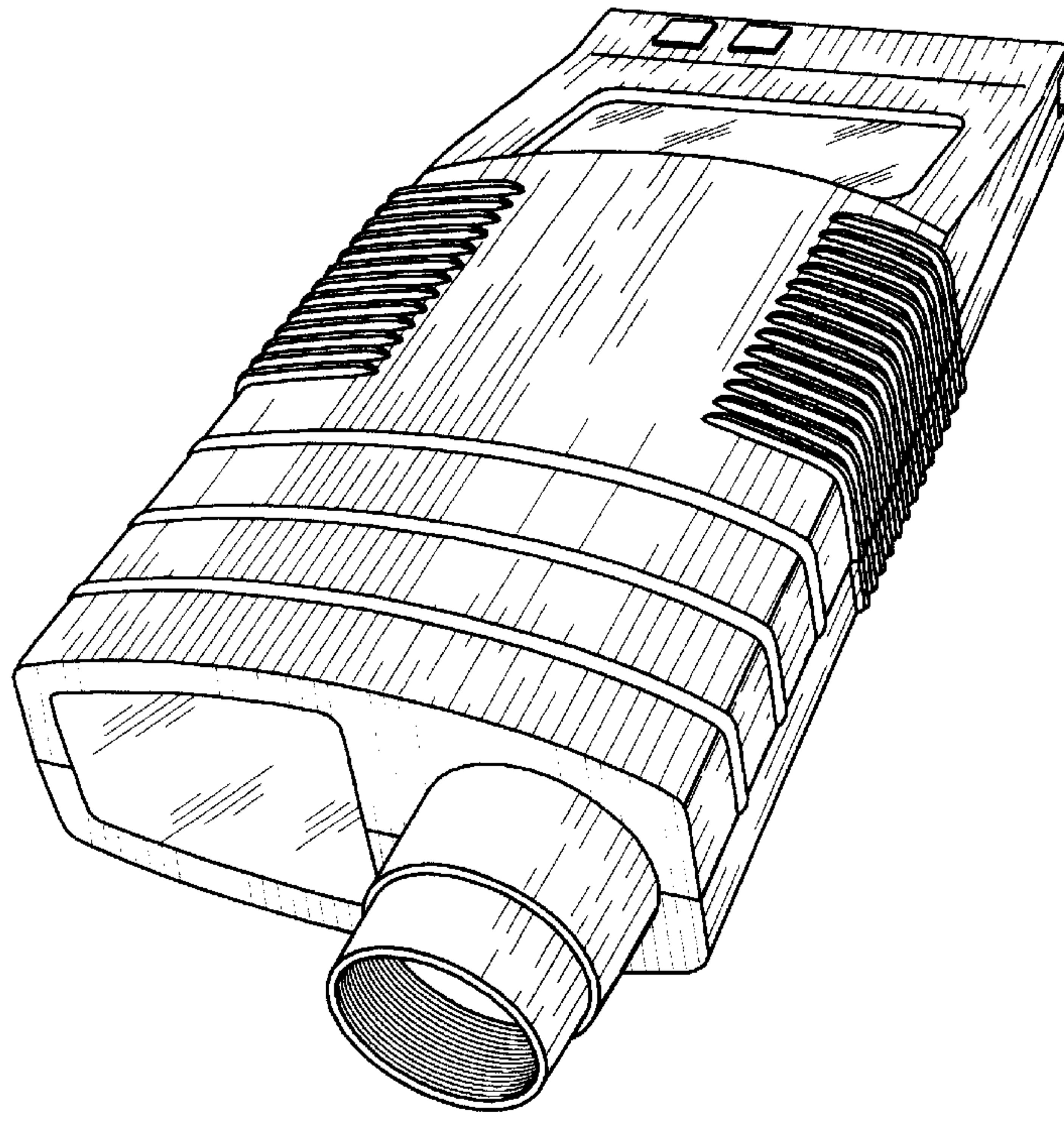


FIG. 1

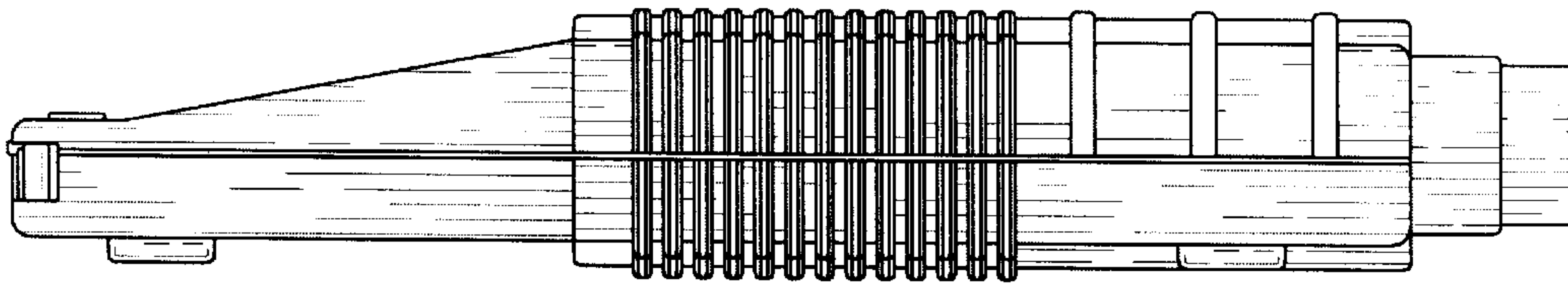


FIG. 2

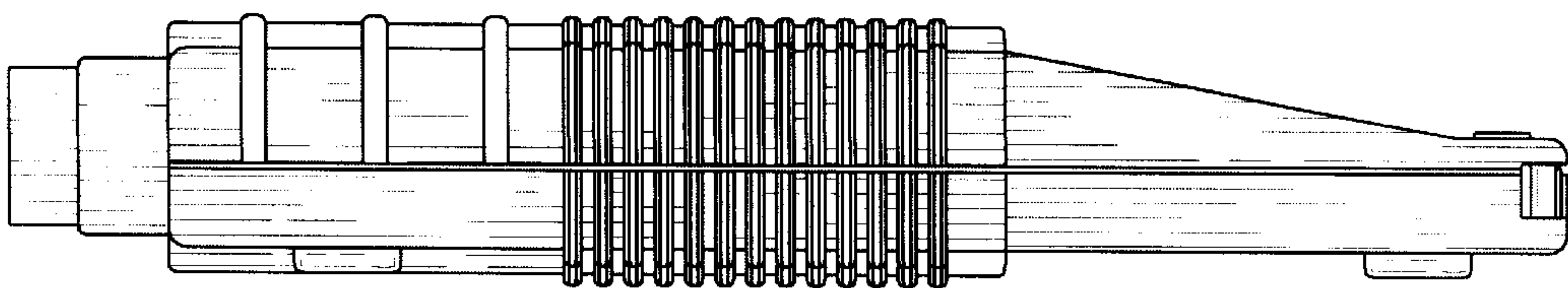


FIG. 3

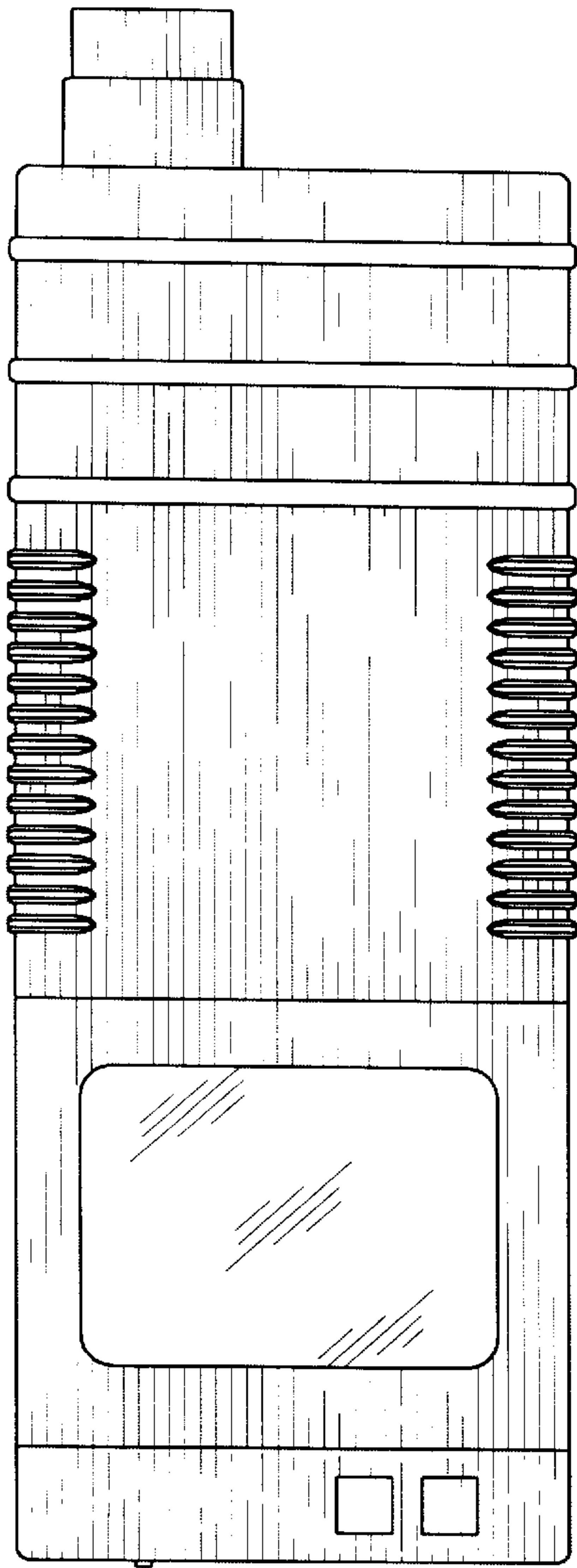


FIG. 4

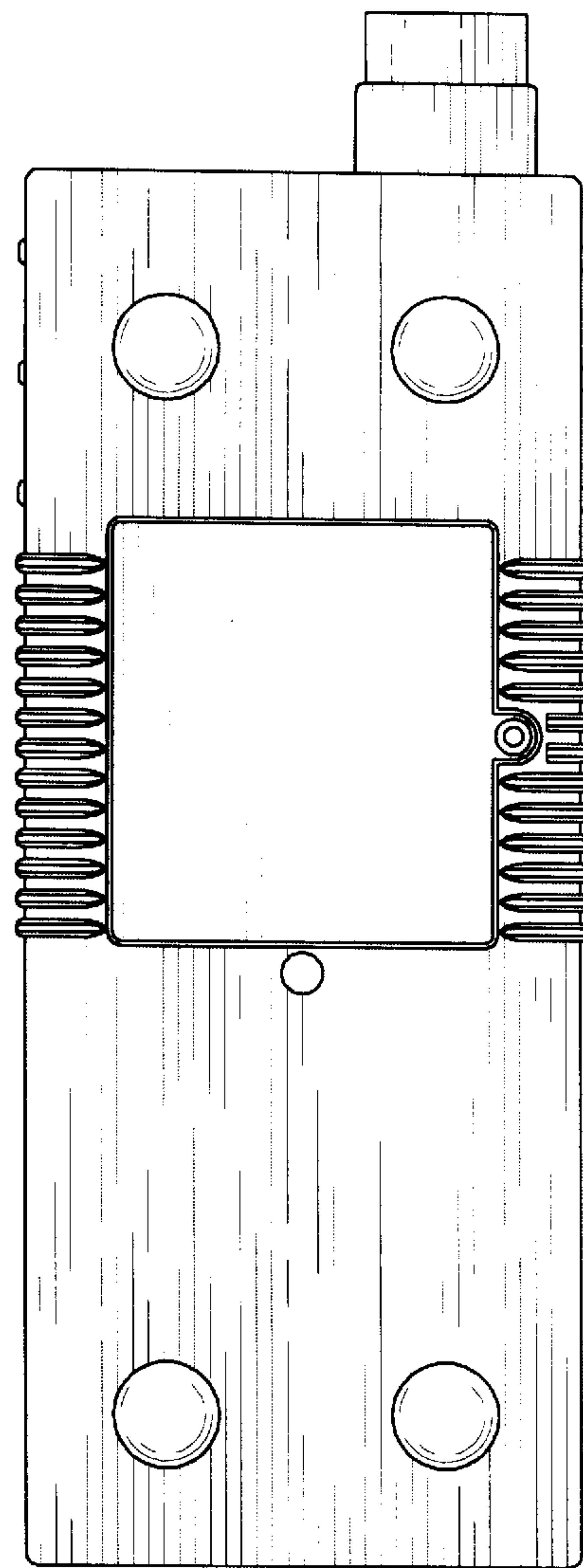


FIG. 5

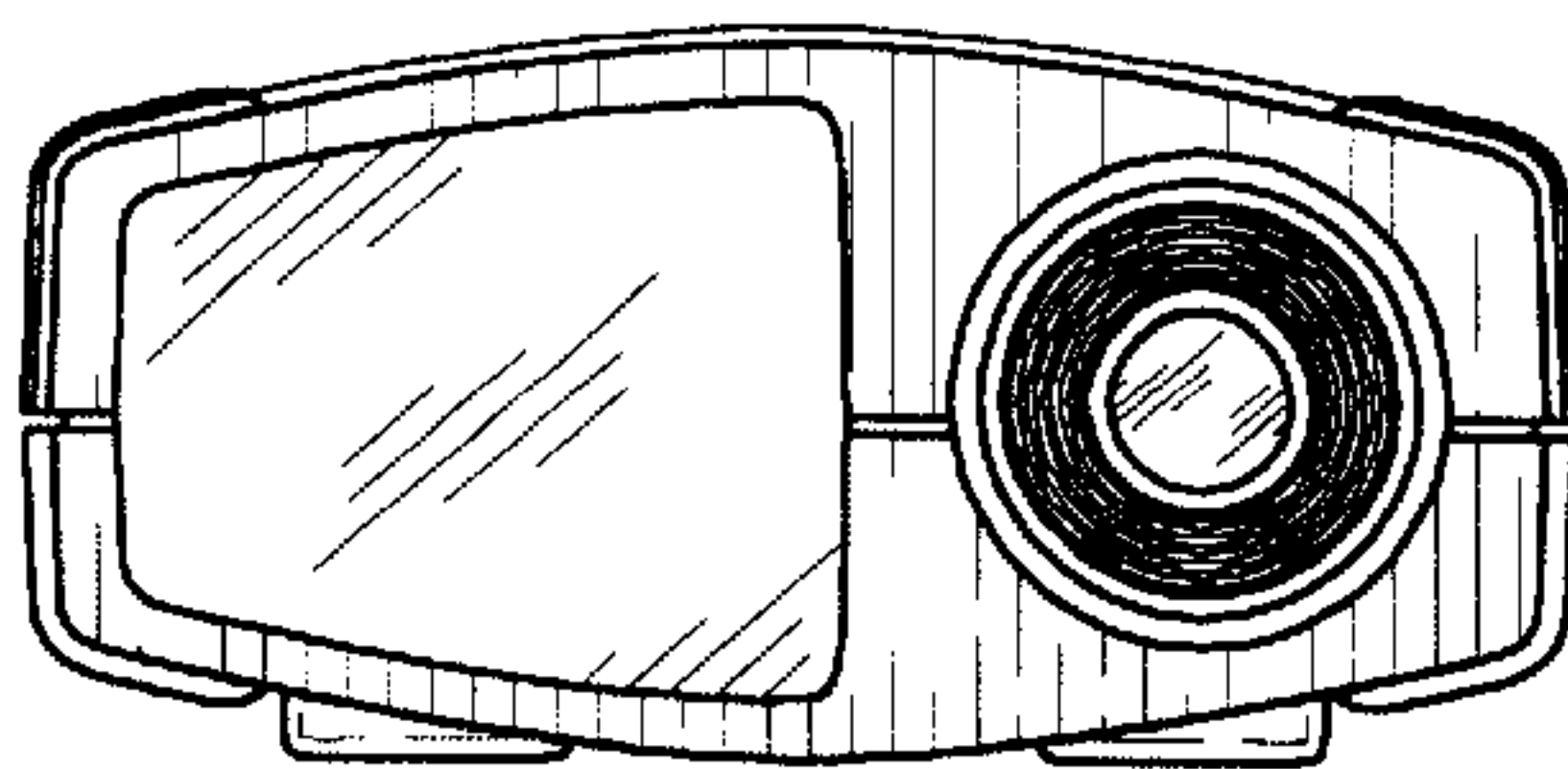


FIG. 6

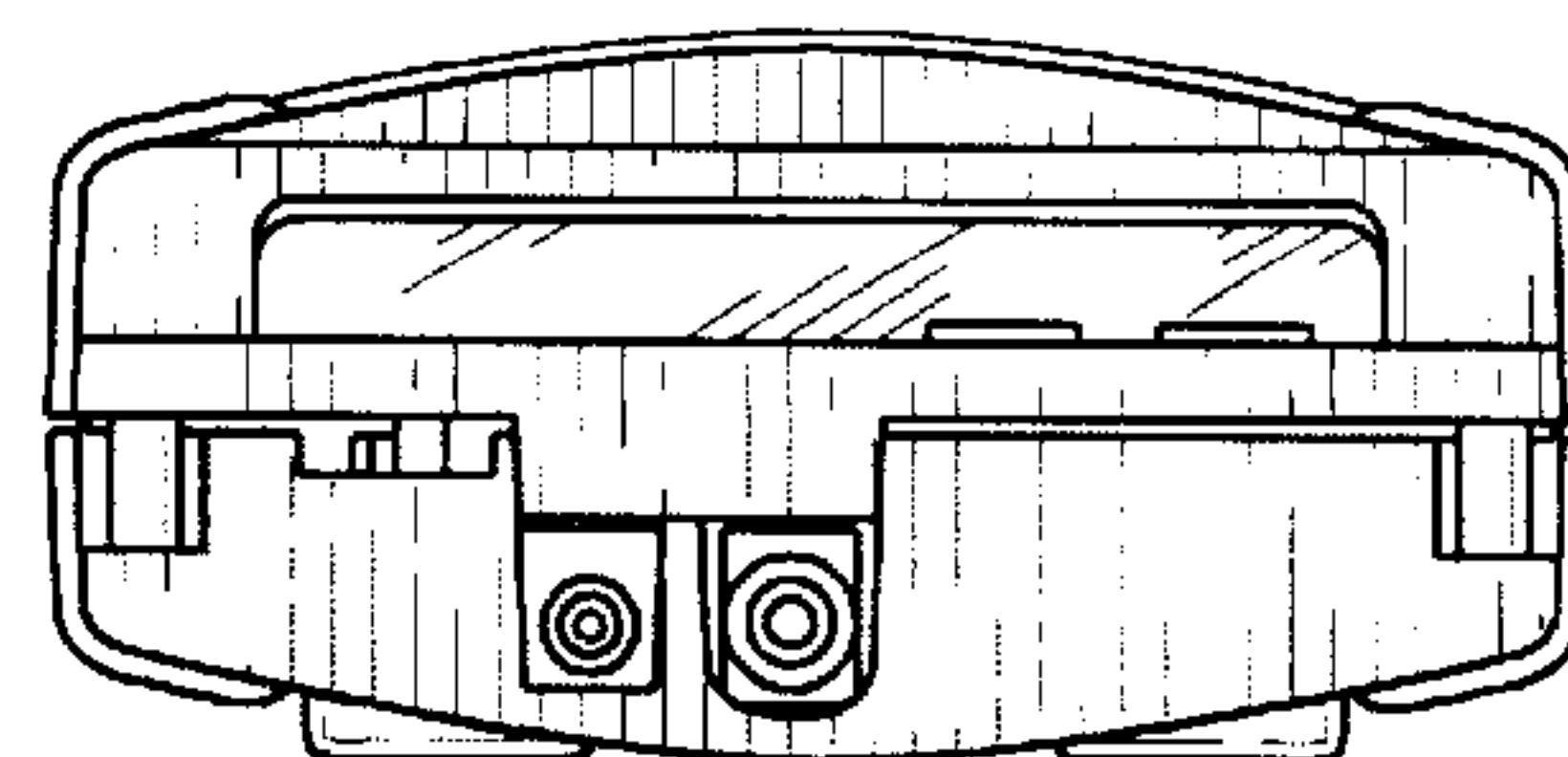


FIG. 7