



US00D489385S

(12) **United States Design Patent**
Lin

(10) **Patent No.:** **US D489,385 S**

(45) **Date of Patent:** **** May 4, 2004**

(54) **DIGITAL STILL CAMERA WITH MEMORY CARD**

(75) Inventor: **Chuan Yu Lin**, Taipei (TW)

(73) Assignee: **Kinpo Electronics, Inc.** (TW)

(**) Term: **14 Years**

(21) Appl. No.: **29/167,786**

(22) Filed: **Sep. 23, 2002**

(51) **LOC (7) Cl.** **16-01**

(52) **U.S. Cl.** **D16/202; D16/218**

(58) **Field of Search** **D16/200-206, D16/208, 218; 348/231.1, 231.2, 231.6, 231.7, 373-376; 358/906, 909.1; 396/211, 535, 536, 540**

(56) **References Cited**

U.S. PATENT DOCUMENTS

- 5,179,505 A * 1/1993 Matsuo 348/231.7
- D384,088 S * 9/1997 Isozaki et al. D16/202
- 5,754,227 A * 5/1998 Fukuoka 348/231.6

- 6,104,430 A * 8/2000 Fukuoka 348/375
- 2002/0093574 A1 * 7/2002 Aoki et al. 348/231.6

* cited by examiner

Primary Examiner—Adir Aronovich

(74) *Attorney, Agent, or Firm*—Browdy and Neimark, P.L.L.C.

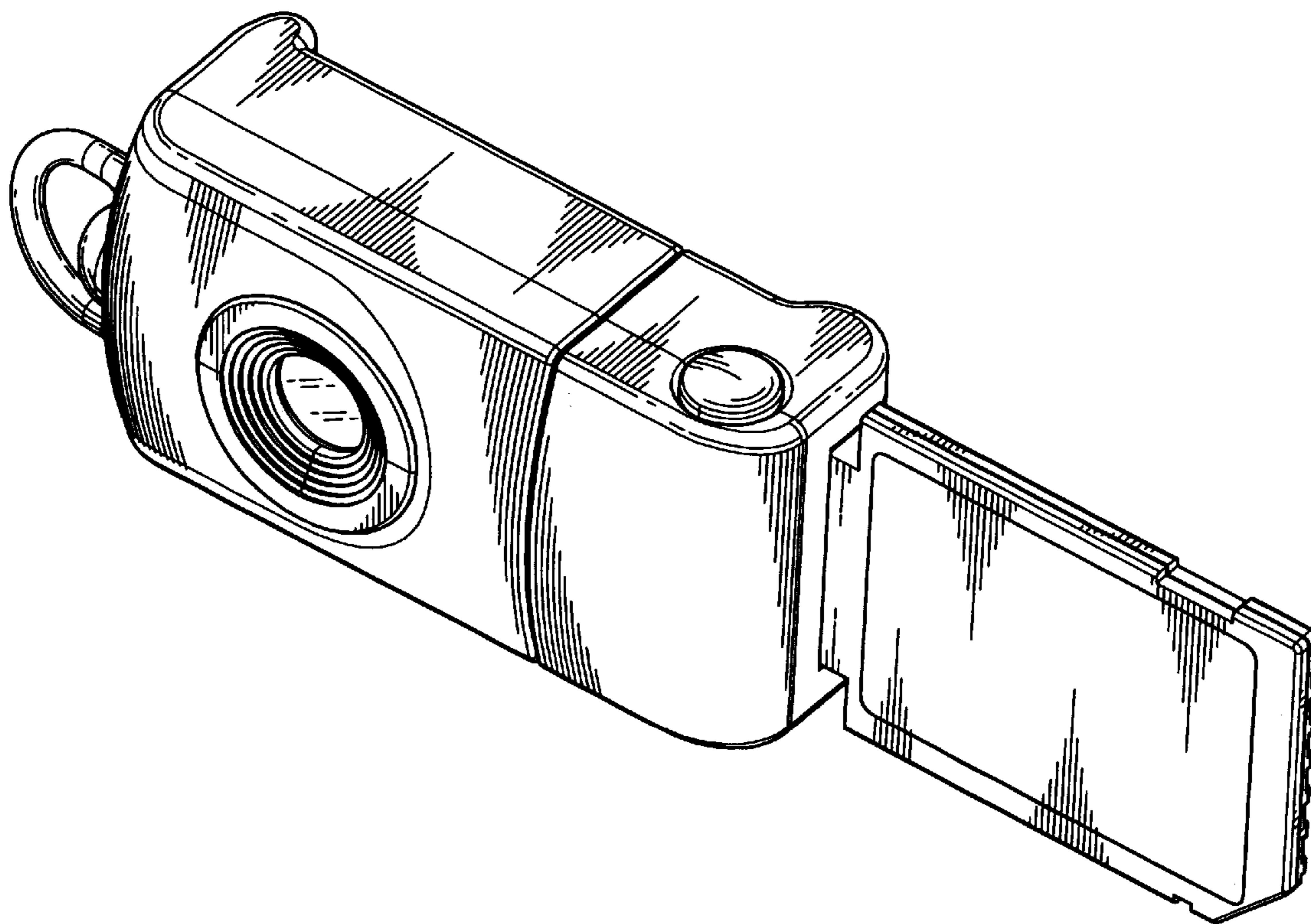
(57) **CLAIM**

The ornamental design for a digital still camera with memory card, as shown and described.

DESCRIPTION

FIG. 1 is a perspective view of a digital still camera with memory card showing my new design;
 FIG. 2 is a front view thereof;
 FIG. 3 is a rear view thereof;
 FIG. 4 is a left side view thereof;
 FIG. 5 is a right side view thereof;
 FIG. 6 is a top view thereof;
 FIG. 7 is a bottom view thereof; and,
 FIG. 8 is a perspective view showing the practical usage thereof.

1 Claim, 5 Drawing Sheets



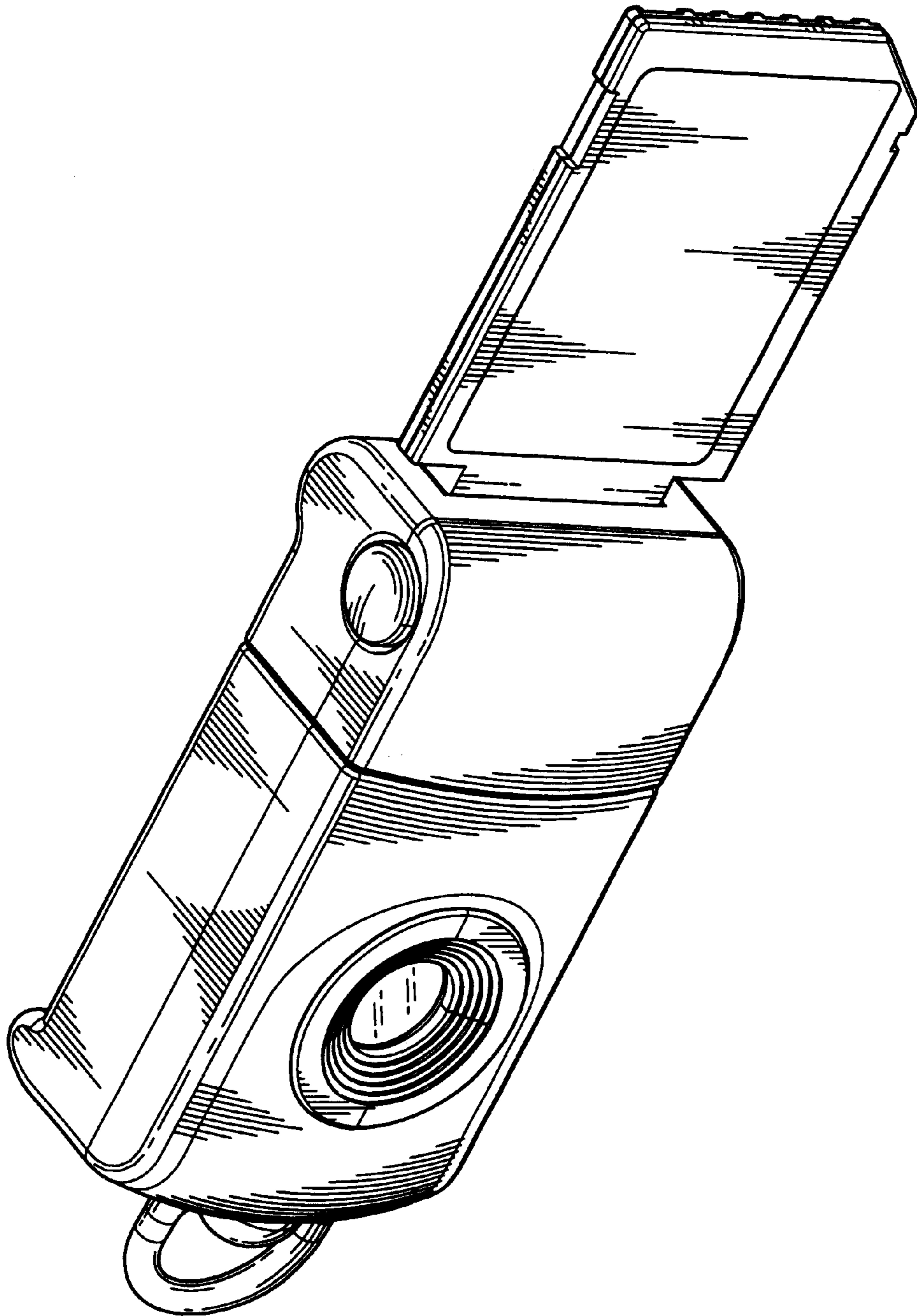


FIG. 1

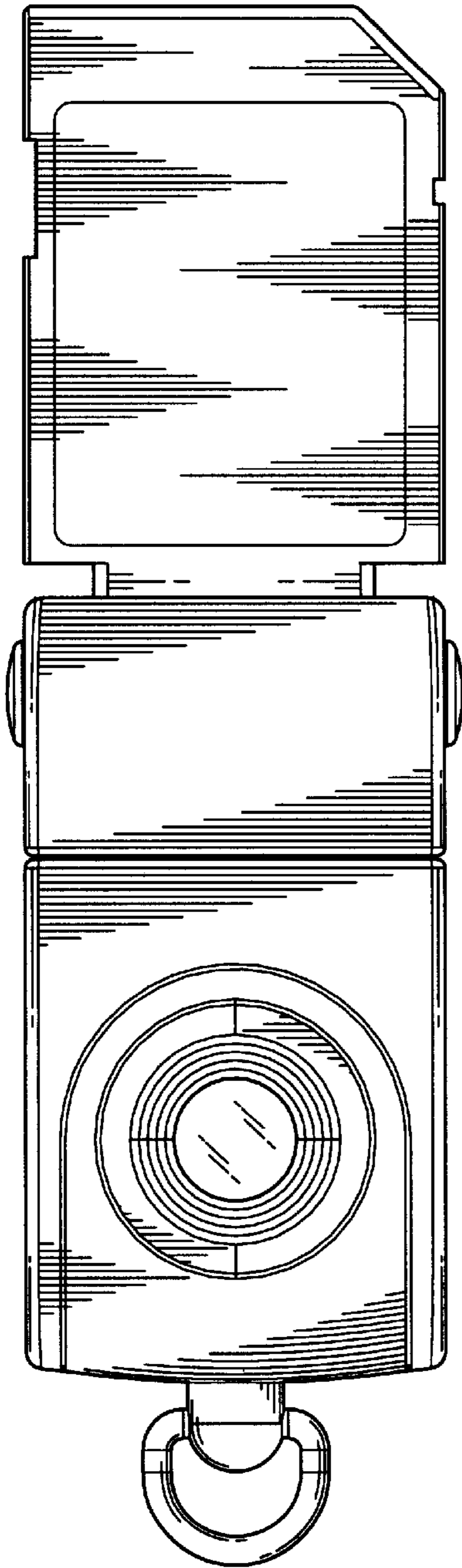


FIG. 2

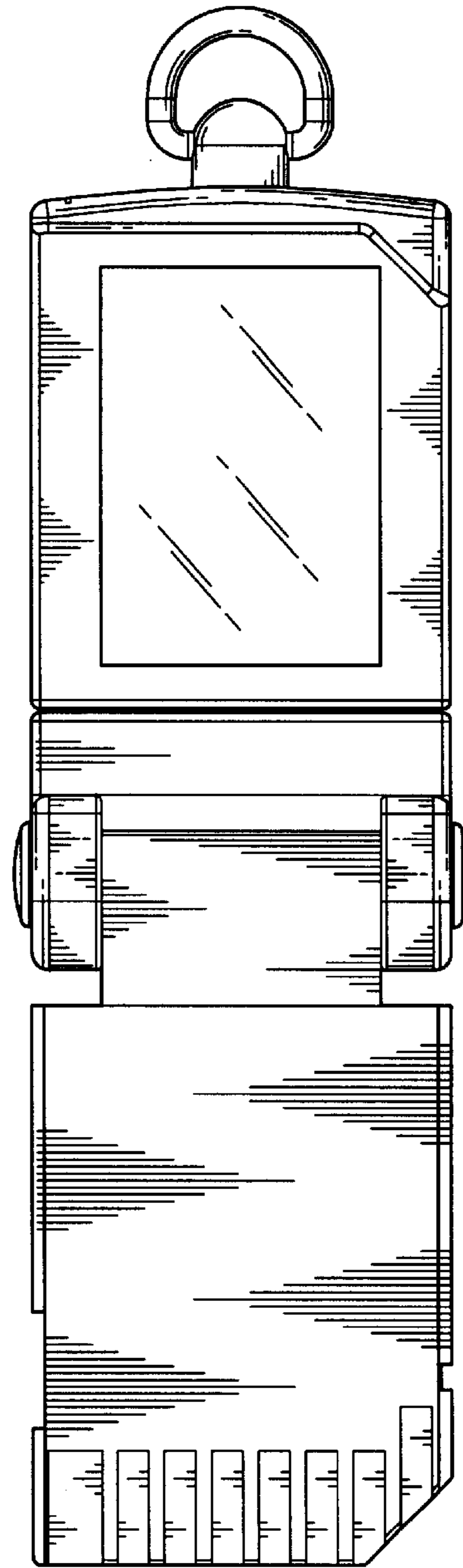


FIG. 3

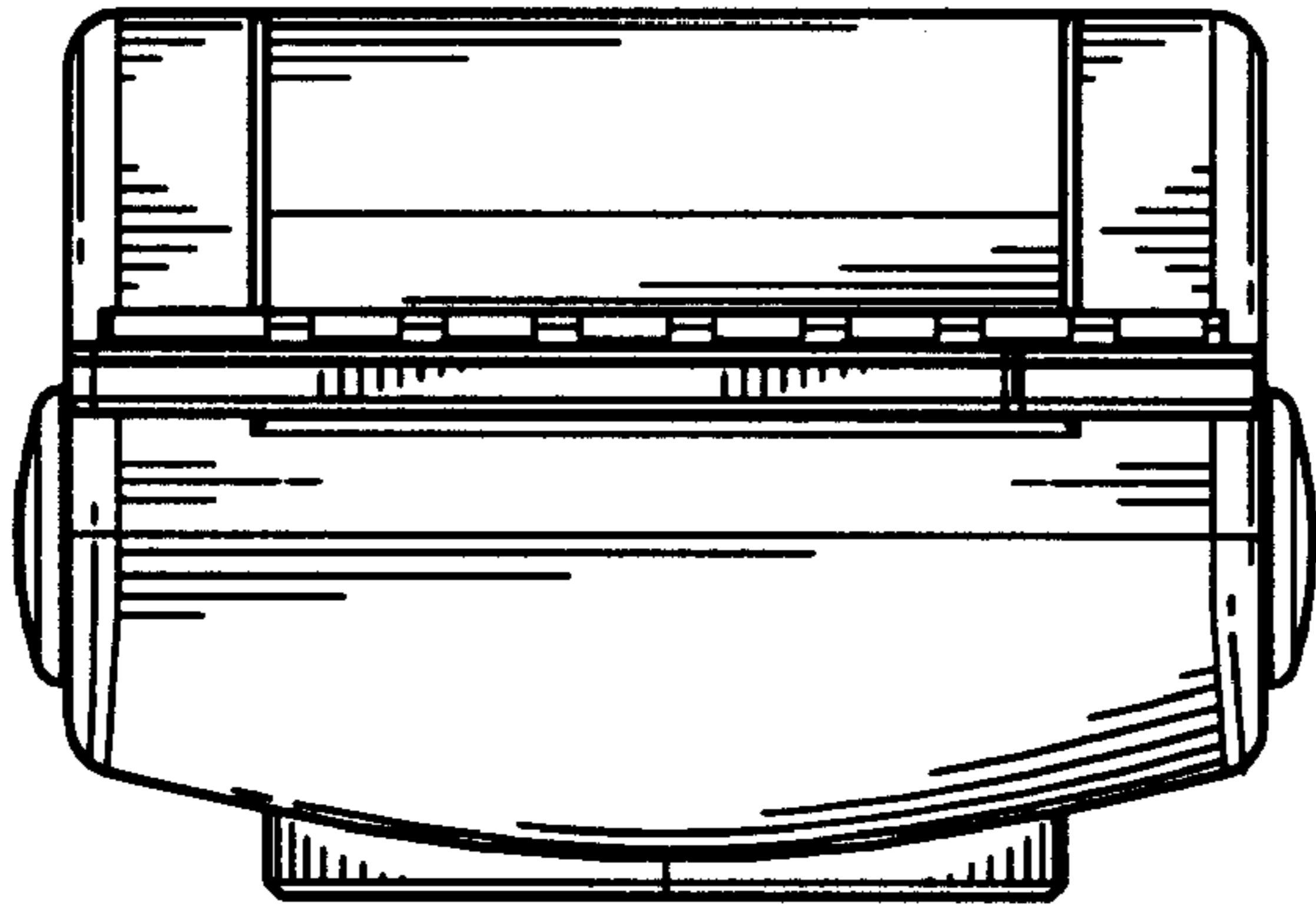


FIG. 5

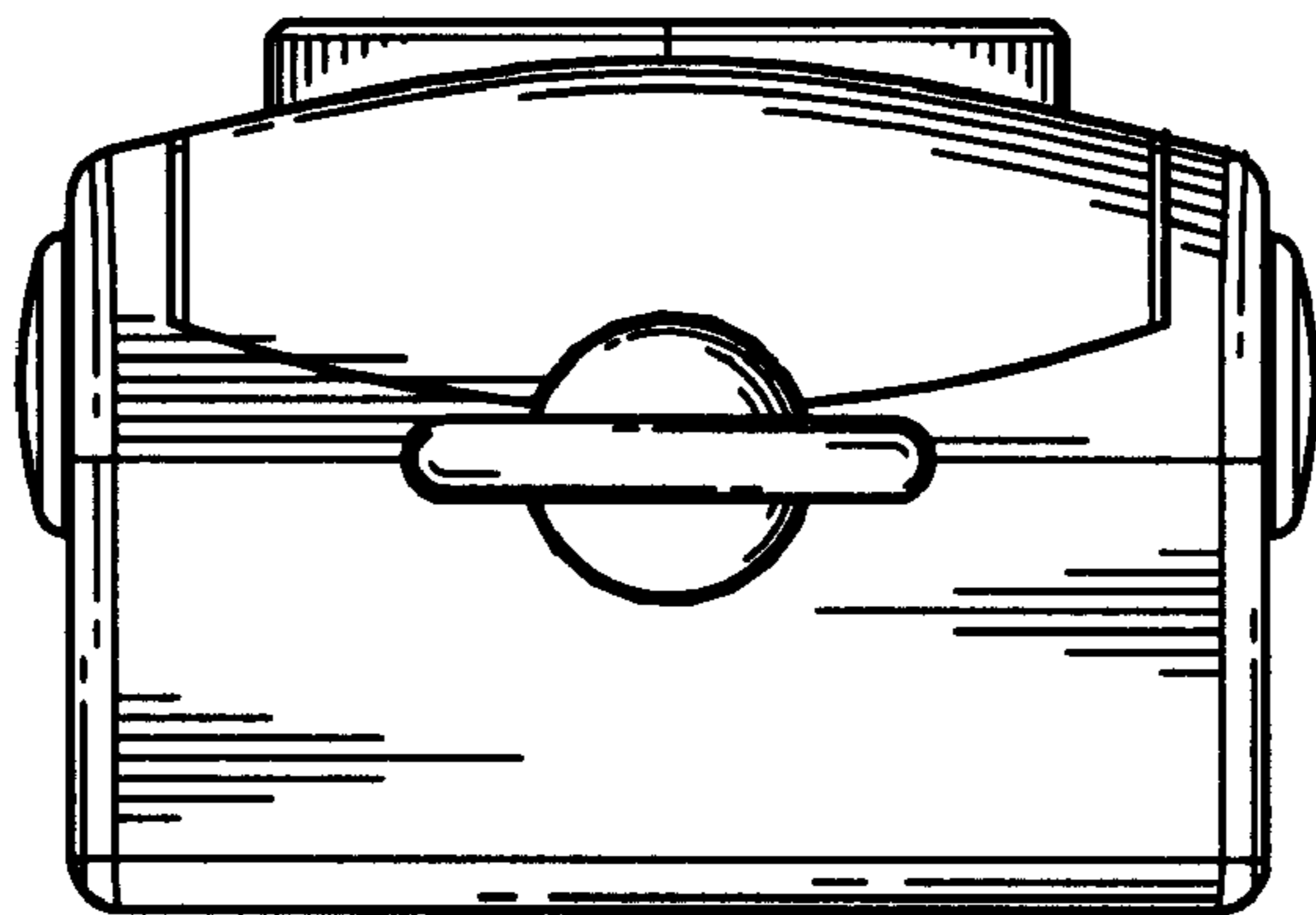


FIG. 4

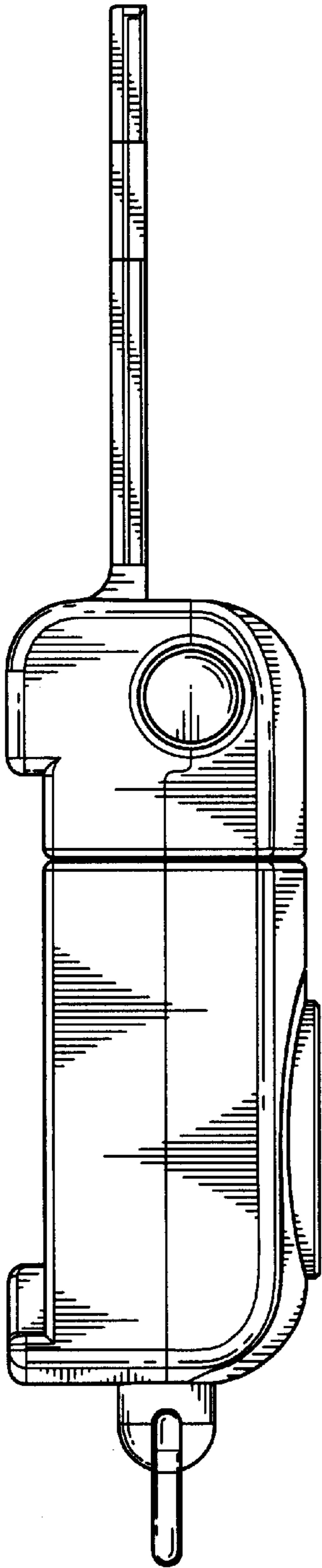


FIG. 6

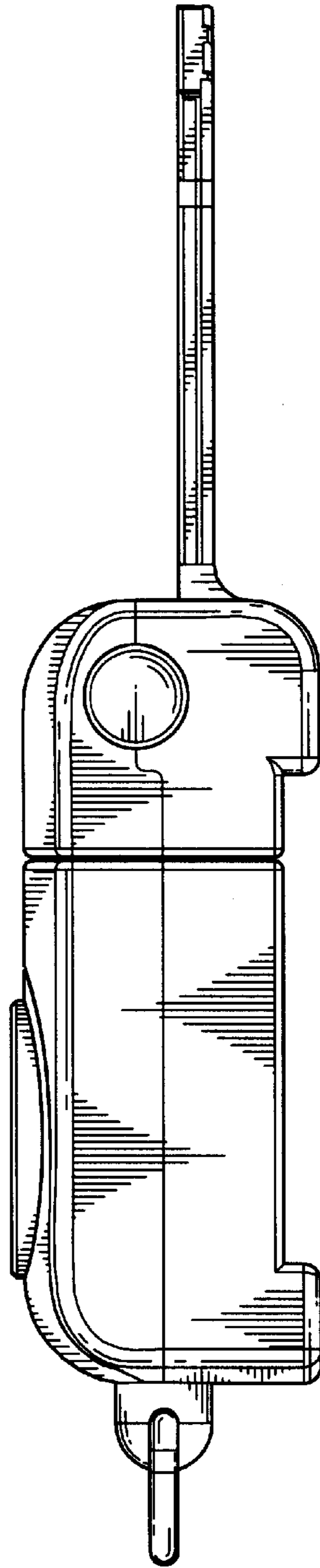


FIG. 7

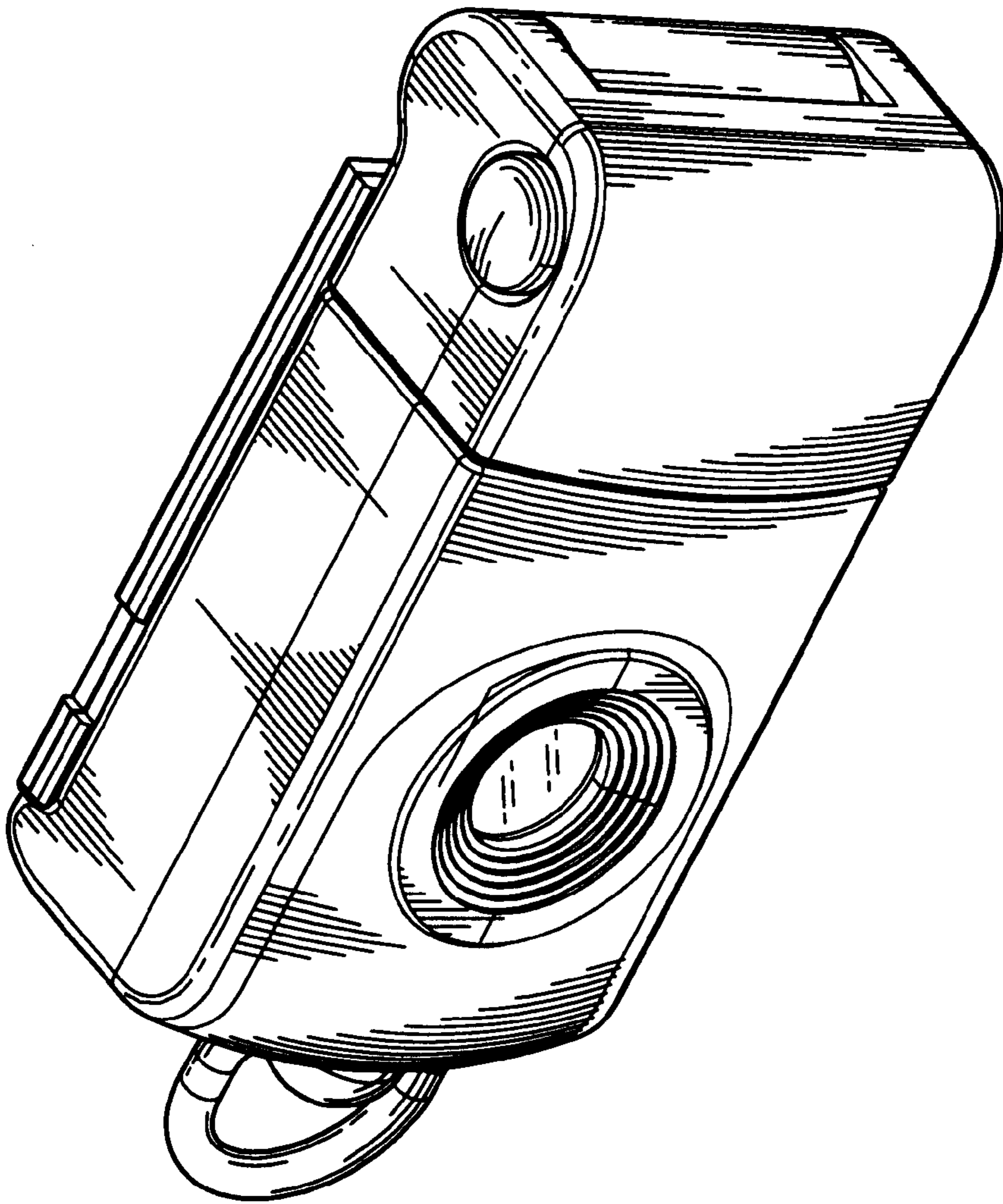


FIG. 8