



US00D489384S

(12) **United States Design Patent**
Chan

(10) **Patent No.:** **US D489,384 S**

(45) **Date of Patent:** **** May 4, 2004**

(54) **MAGNIFYING GLASS WITH LIGHT/TORCH**

(75) **Inventor:** **Sik-Leung Chan**, New Territories (CN)

(73) **Assignee:** **C. C. & L Company Limited**, New Territories (HK)

(**) **Term:** **14 Years**

(21) **Appl. No.:** **29/186,574**

(22) **Filed:** **Jul. 18, 2003**

(30) **Foreign Application Priority Data**

Jun. 30, 2003 (HK) 0310592

(51) **LOC (7) Cl.** **16-06**

(52) **U.S. Cl.** **D16/135**

(58) **Field of Search** D16/130, 135;
359/742, 778, 779, 800, 801, 802, 804,
810, 811, 817; 40/661.06, 365; 362/109,
157, 253

(56) **References Cited**

U.S. PATENT DOCUMENTS

1,702,317 A * 2/1929 Rose 359/807

3,076,276 A * 2/1963 Pitchford 40/365

3,178,842 A * 4/1965 Zimmerman 40/661.06

5,117,339 A * 5/1992 Tortola et al. 362/109

D334,207 S * 3/1993 Iaquinto et al. D16/135

D394,272 S * 5/1998 Hon D16/135

* cited by examiner

Primary Examiner—Paula A. Mortimer

(74) *Attorney, Agent, or Firm*—Alix, Yale & Ristas, LLP

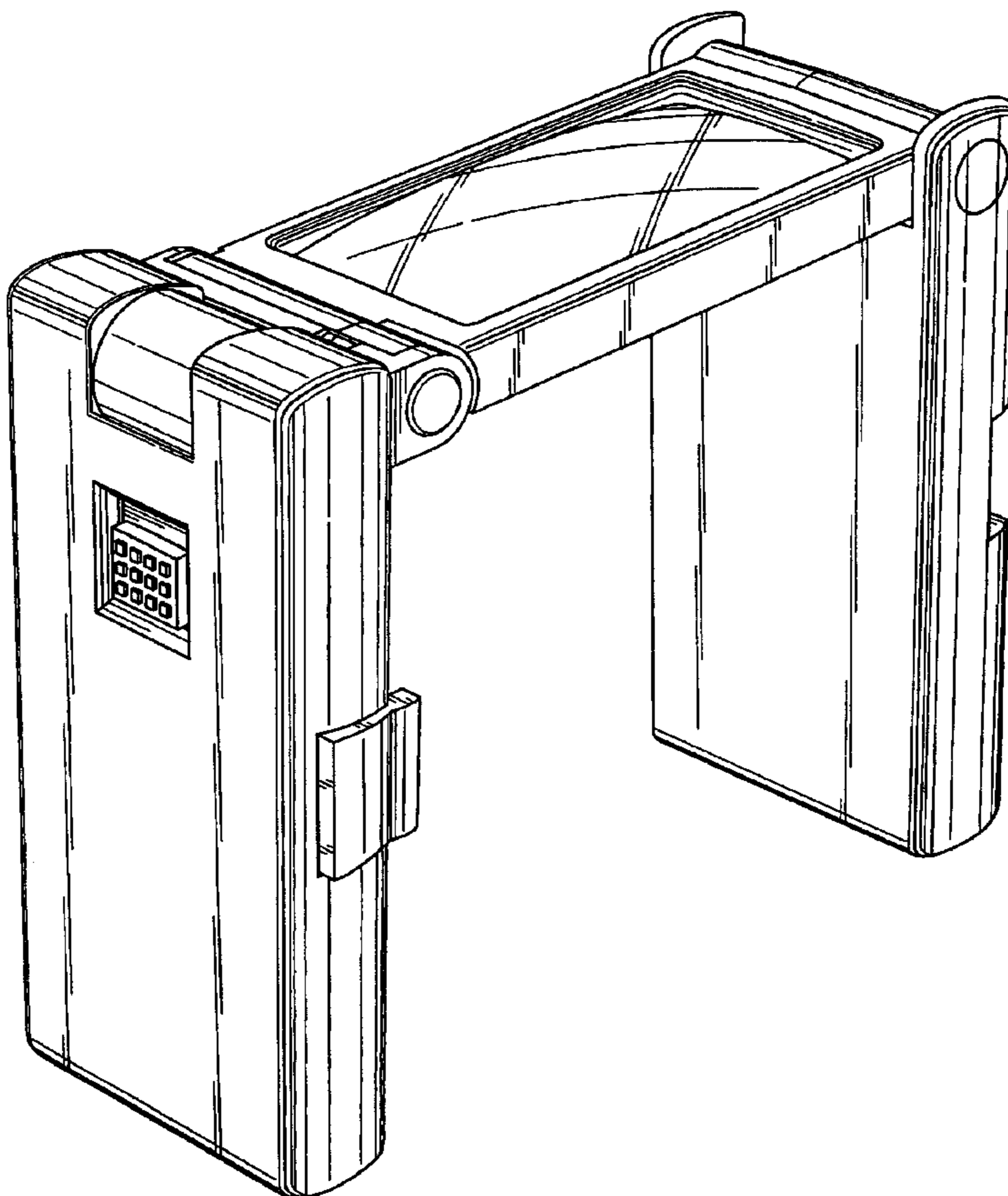
(57) **CLAIM**

The ornamental design for a magnifying glass with light/torch, as shown and described.

DESCRIPTION

FIG. 1 is a front perspective view of a magnifying glass with light/torch showing my new design;
FIG. 2 is a front elevational view thereof;
FIG. 3 is a left side elevational view thereof;
FIG. 4 is a top plan view thereof;
FIG. 5 is a rear elevational view thereof;
FIG. 6 is a right side elevational view thereof;
FIG. 7 is a bottom plan view thereof; and,
FIG. 8 is a front perspective view in opened position thereof.

1 Claim, 4 Drawing Sheets



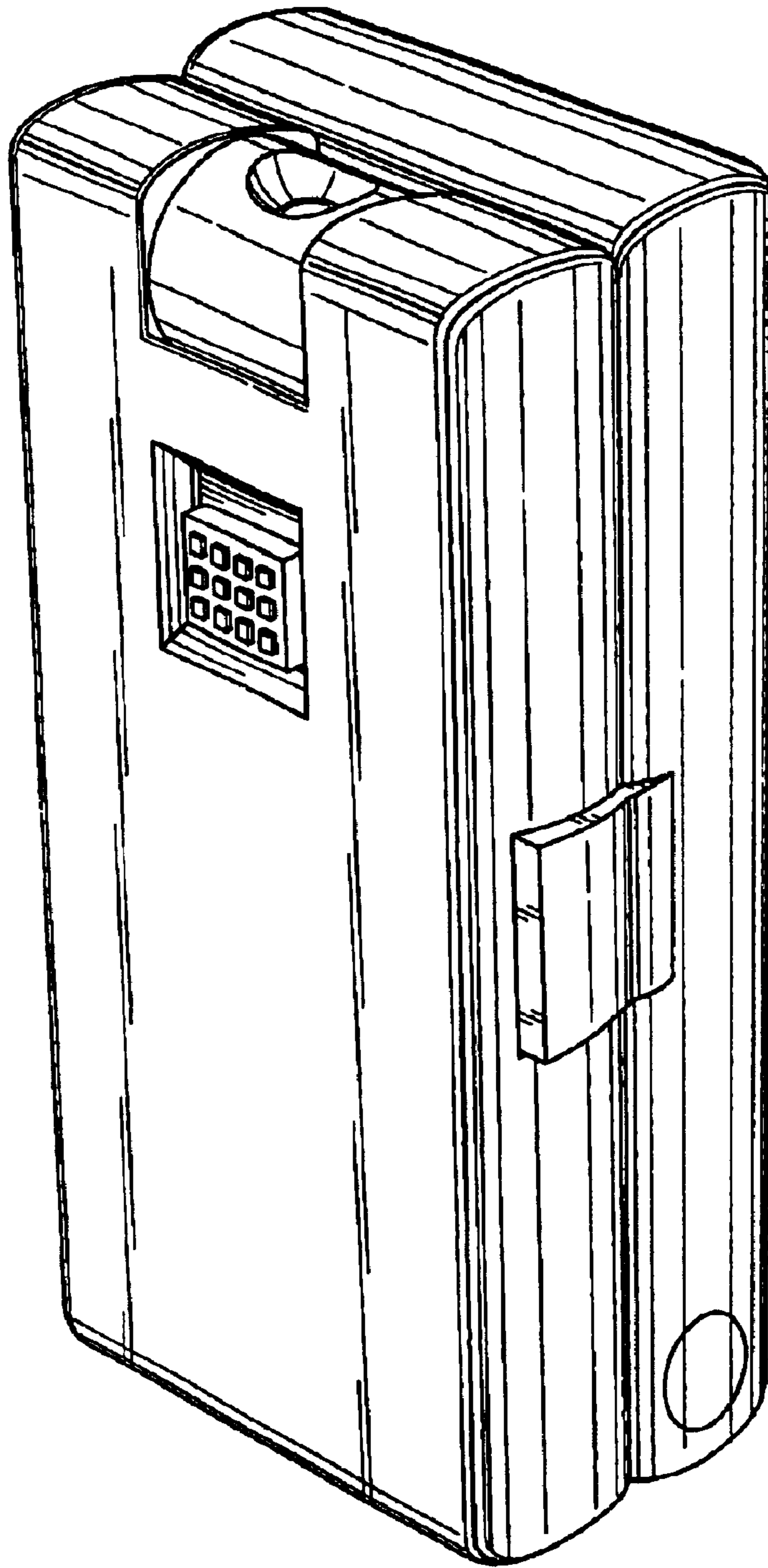


FIG. 1

FIG. 4

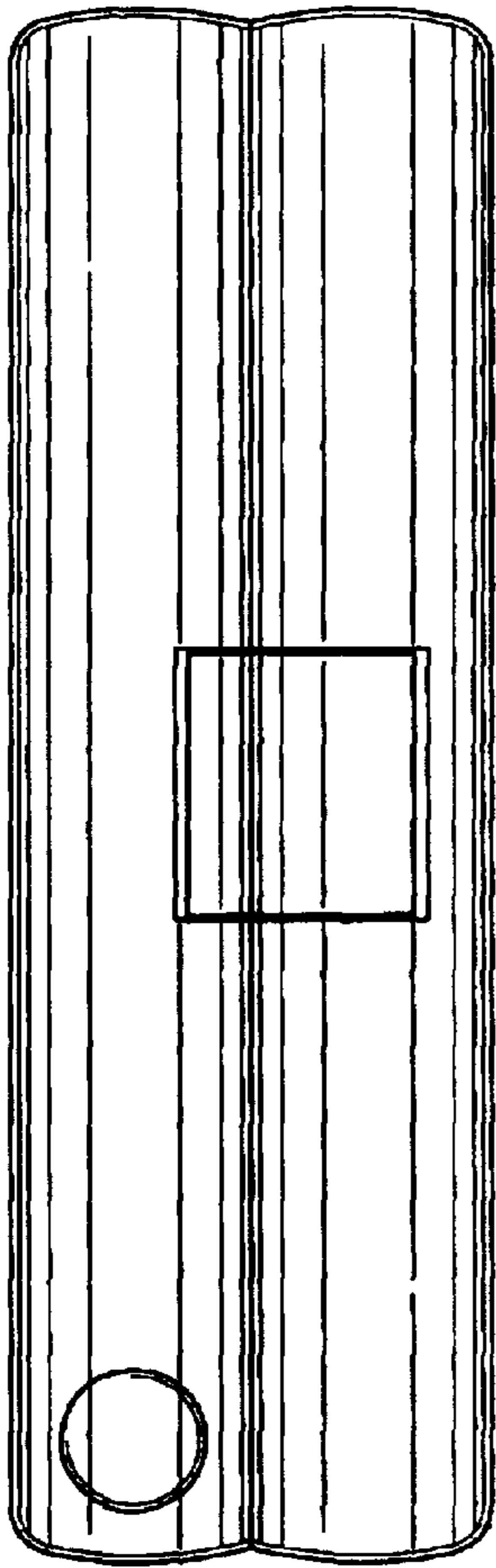
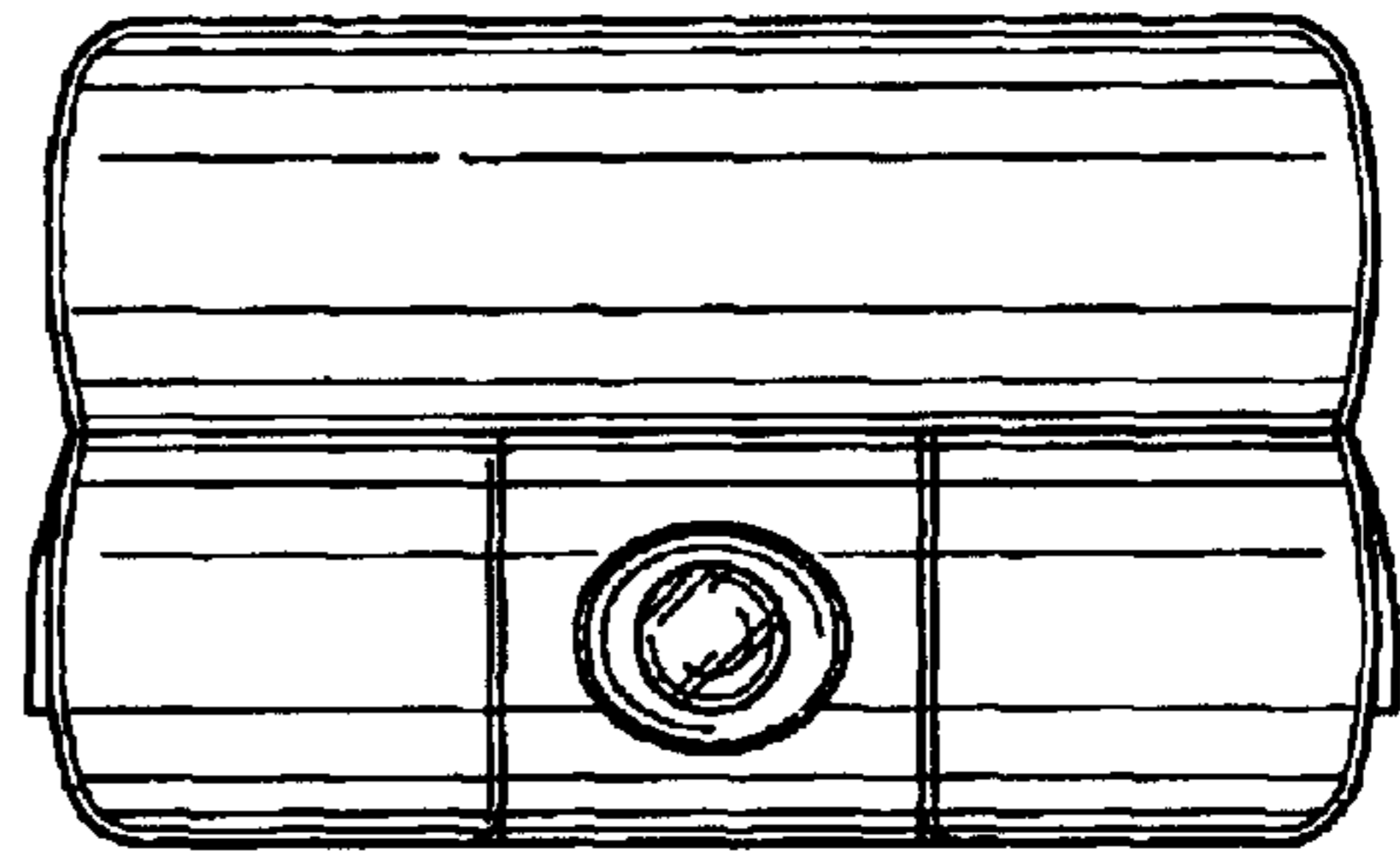


FIG. 3

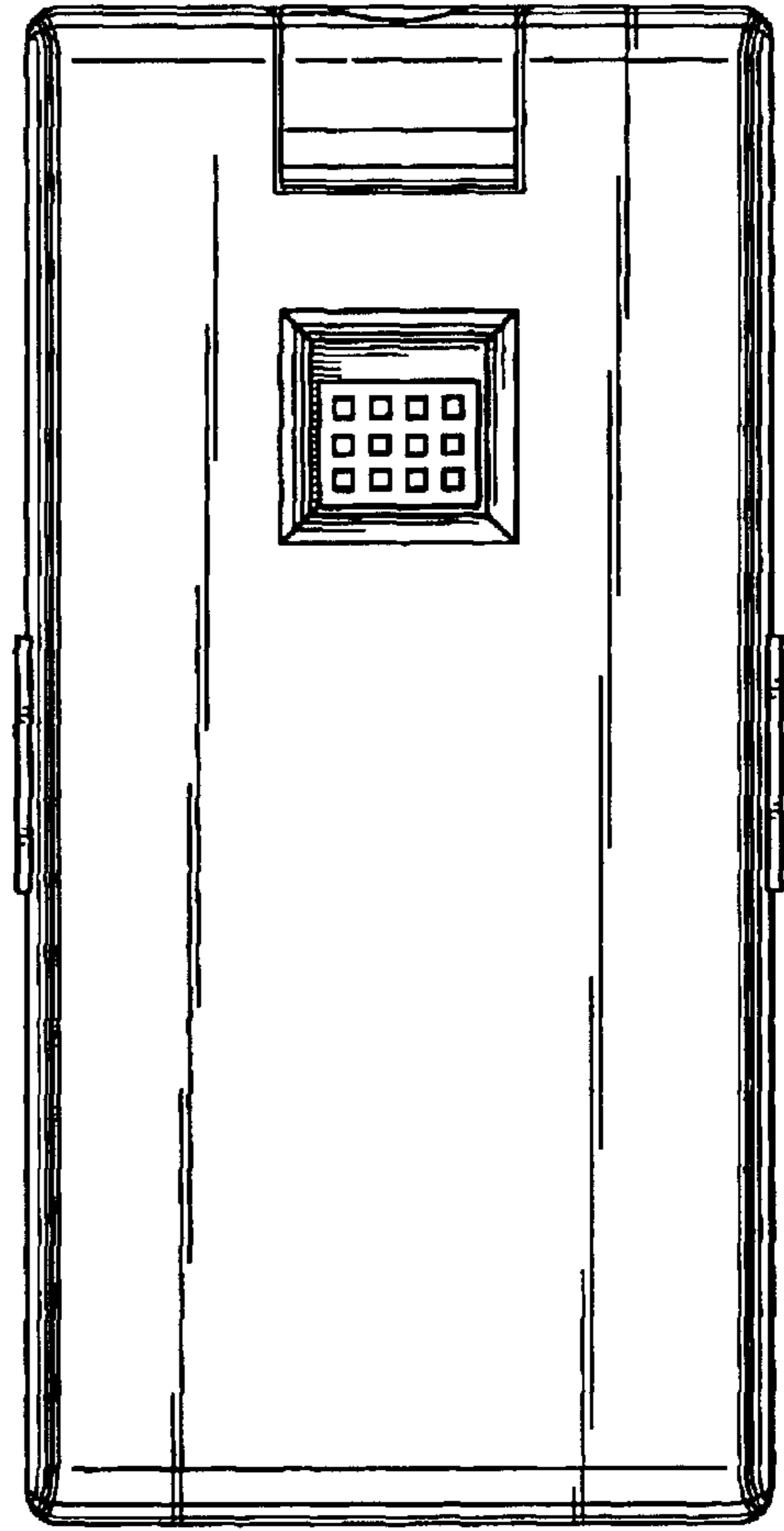


FIG. 2

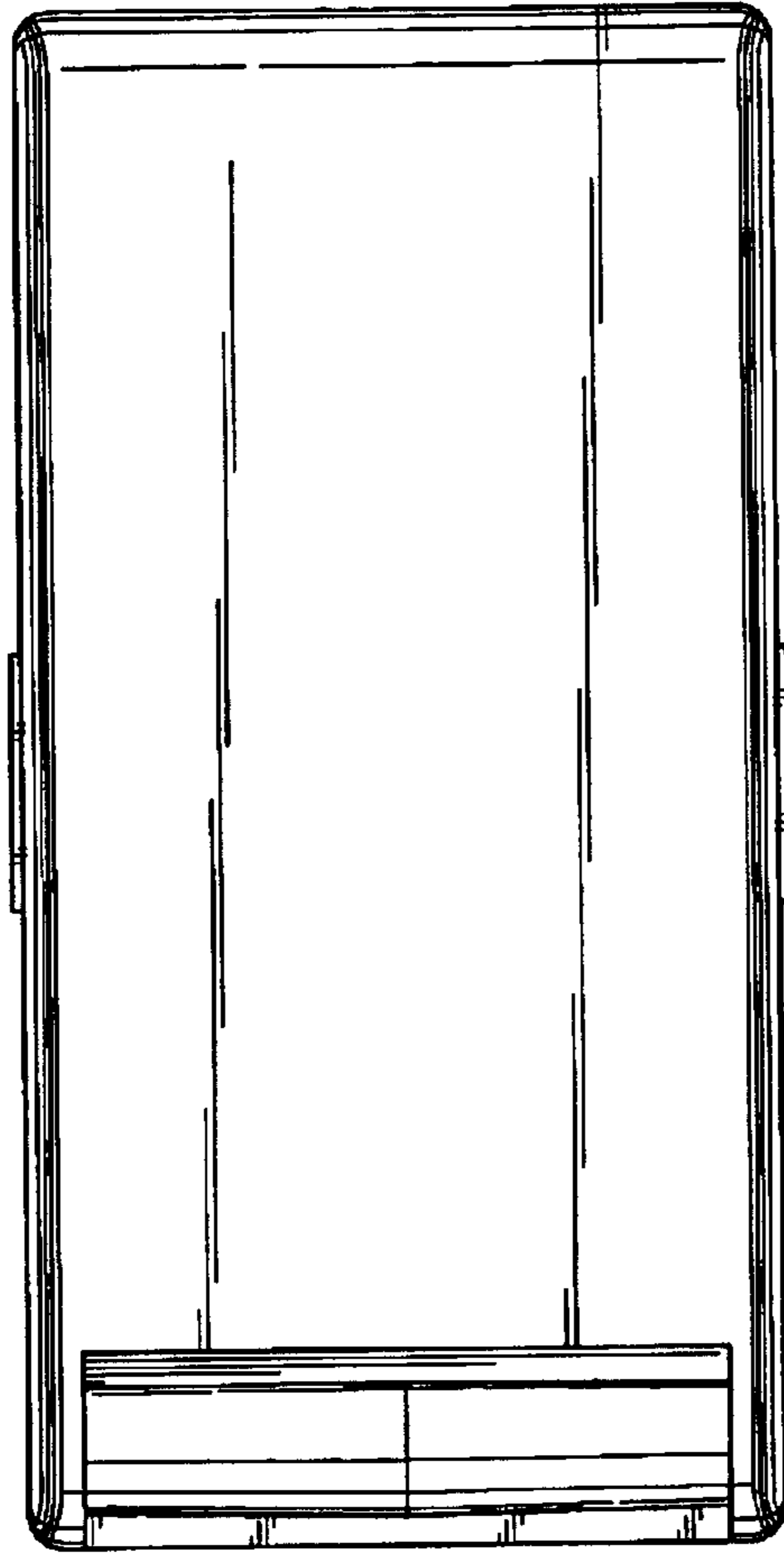


FIG. 5

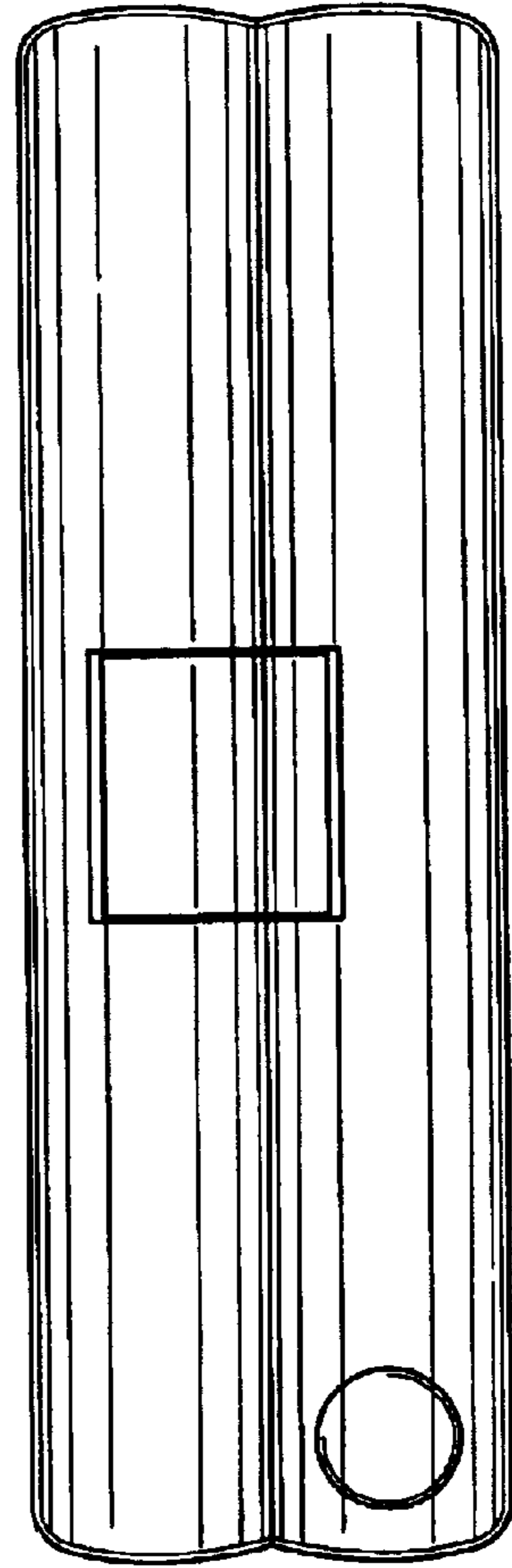


FIG. 6

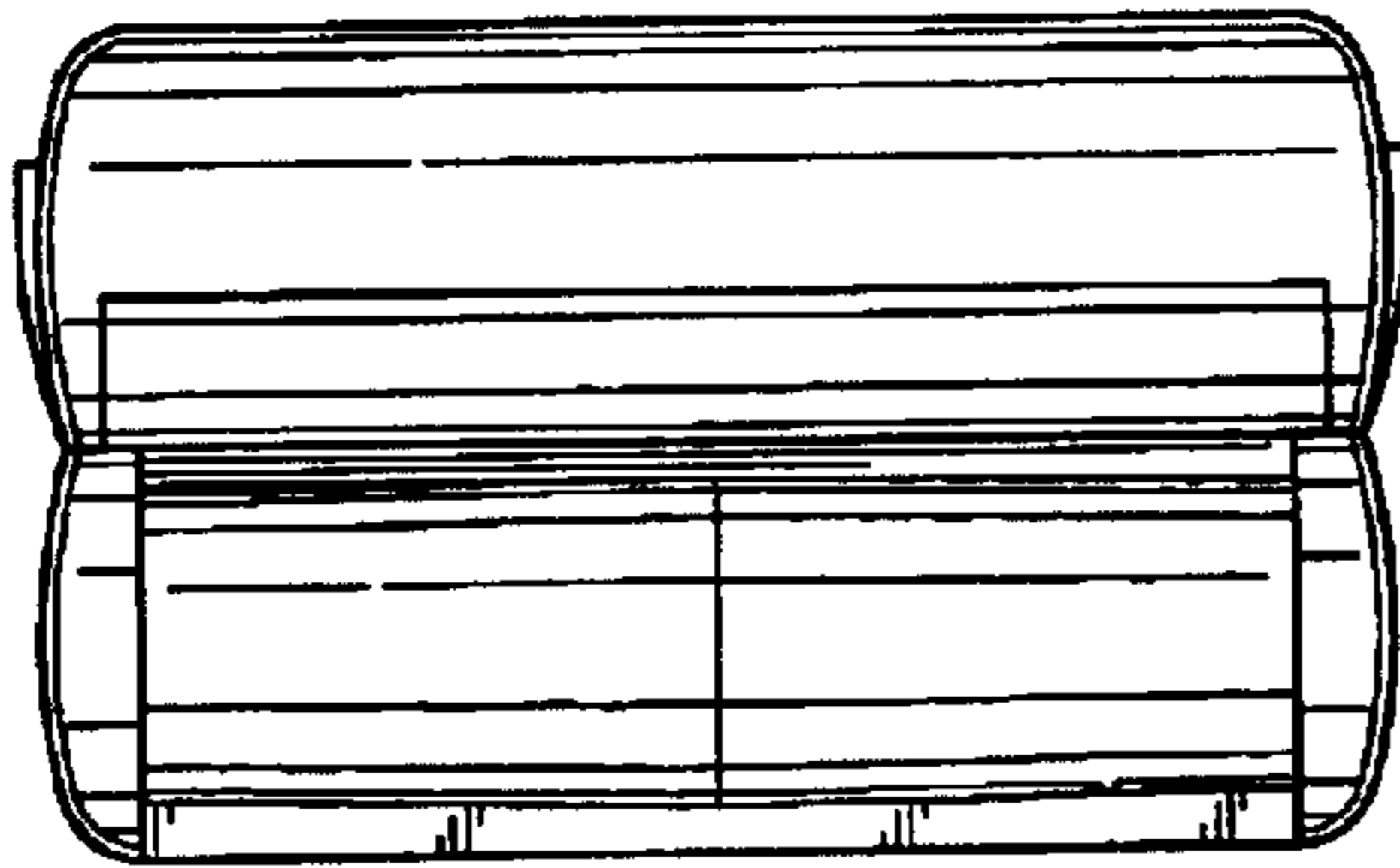


FIG. 7

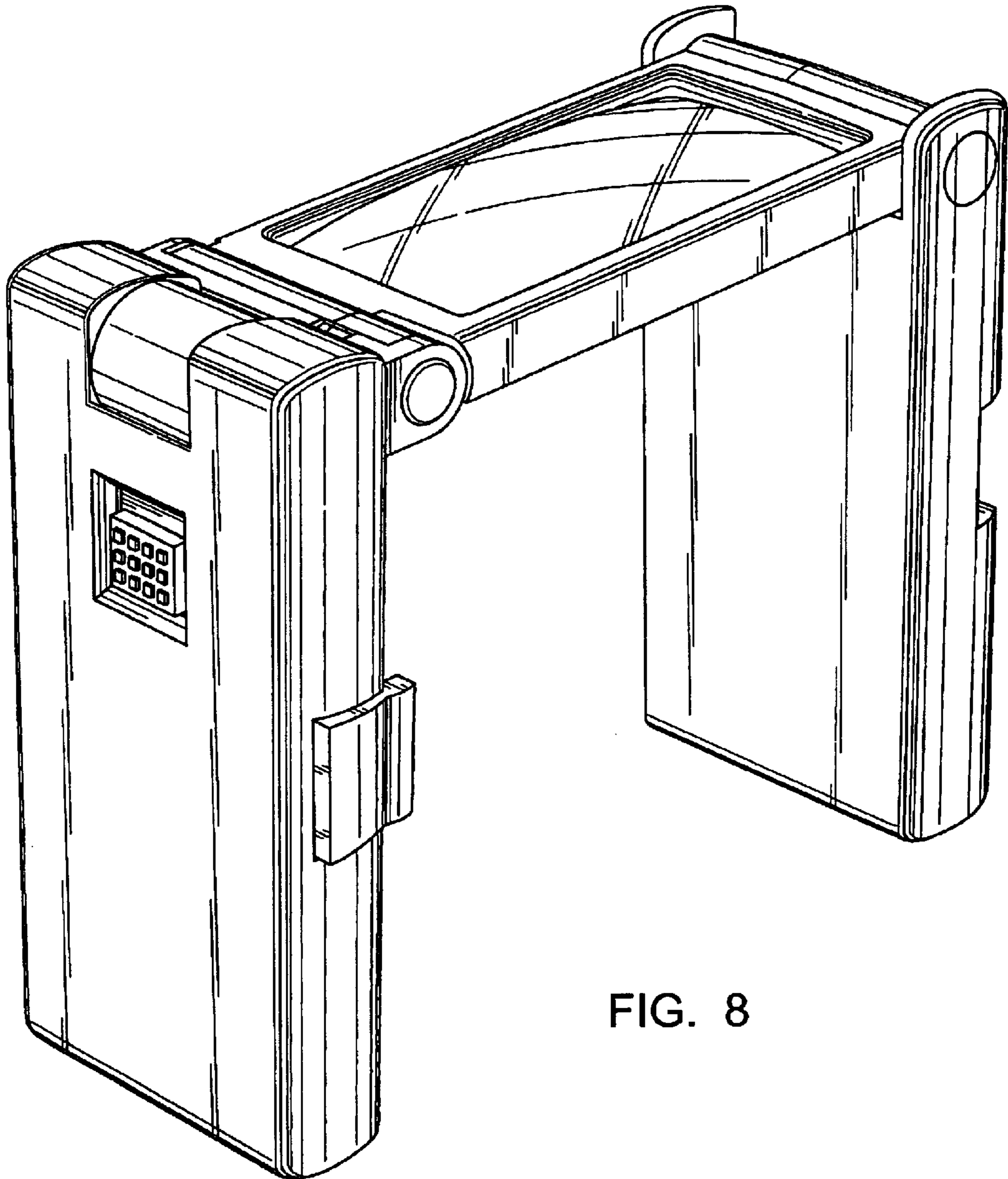


FIG. 8

UNITED STATES PATENT AND TRADEMARK OFFICE
CERTIFICATE OF CORRECTION

PATENT NO. : Des. 489,384 S
DATED : May 4, 2004
INVENTOR(S) : Chan

Page 1 of 1

It is certified that error appears in the above-identified patent and that said Letters Patent is hereby corrected as shown below:

Title page,

Item [30], **Foreign Application Priority Data**, delete "Jun. 30, 2003" and replace with -- Apr. 17, 2003 --.

Signed and Sealed this

Twenty-third Day of November, 2004

A handwritten signature in black ink that reads "Jon W. Dudas". The signature is written in a cursive style with a large, looped initial "J".

JON W. DUDAS

Director of the United States Patent and Trademark Office