



US00D489381S

(12) **United States Design Patent**
Mistry et al.

(10) **Patent No.:** **US D489,381 S**

(45) **Date of Patent:** **** May 4, 2004**

(54) **TRACTOR DESIGN**

(75) Inventors: **Dharmesh H. Mistry**, Mumbai (IN);
Rajendra N. Mohite, Mumbai (IN);
Sanjay A. Gaigawale, Mumbai (IN)

(73) Assignee: **Mahindra & Mahindra Ltd.** (IN)

(**) Term: **14 Years**

(21) Appl. No.: **29/174,313**

(22) Filed: **Jan. 15, 2003**

(51) **LOC (7) Cl.** **12-09**

(52) **U.S. Cl.** **D15/23; D15/33**

(58) **Field of Search** **D15/23-26, 28,**
D15/33; 180/69.2, 78, 90, 89.1, 89.12,
900; 56/134, 16.7, 20.2, 320.1, 320.2, 255,
13.3, 13.4

(56) **References Cited**

U.S. PATENT DOCUMENTS

3,057,428	A	*	10/1962	Johnson	180/69.2
D200,302	S	*	2/1965	Lorenz	D15/23
D203,164	S	*	12/1965	Stortz	D15/23
D258,509	S	*	3/1981	Funabashi	D15/23
D258,824	S	*	4/1981	Funabashi	D15/23

D261,141	S	*	10/1981	Takahashi et al.	D15/23
D306,301	S	*	2/1990	Funabashi et al.	D15/23
D312,465	S	*	11/1990	Yaguchi et al.	D15/23
D378,755	S	*	4/1997	Kato et al.	D15/23
D463,805	S	*	10/2002	Witte et al.	D15/23

* cited by examiner

Primary Examiner—Mitchell Siegel

(74) *Attorney, Agent, or Firm*—Schweitzer Cornman Gross & Bondell LLP

(57) **CLAIM**

The ornamental design for a tractor design, as shown and described.

DESCRIPTION

FIG. 1 is a front perspective view of our new tractor design; the broken line showing is for illustrative purposes only and forms no part of the claimed design.

FIG. 2 is a plan view thereof;

FIG. 3 is a front elevational view thereof;

FIG. 4 is a right side elevational view thereof;

FIG. 5 is a left side elevational view thereof;

FIG. 6 is a rear elevational view thereof; and,

FIG. 7 is a bottom plan view thereof.

1 Claim, 7 Drawing Sheets

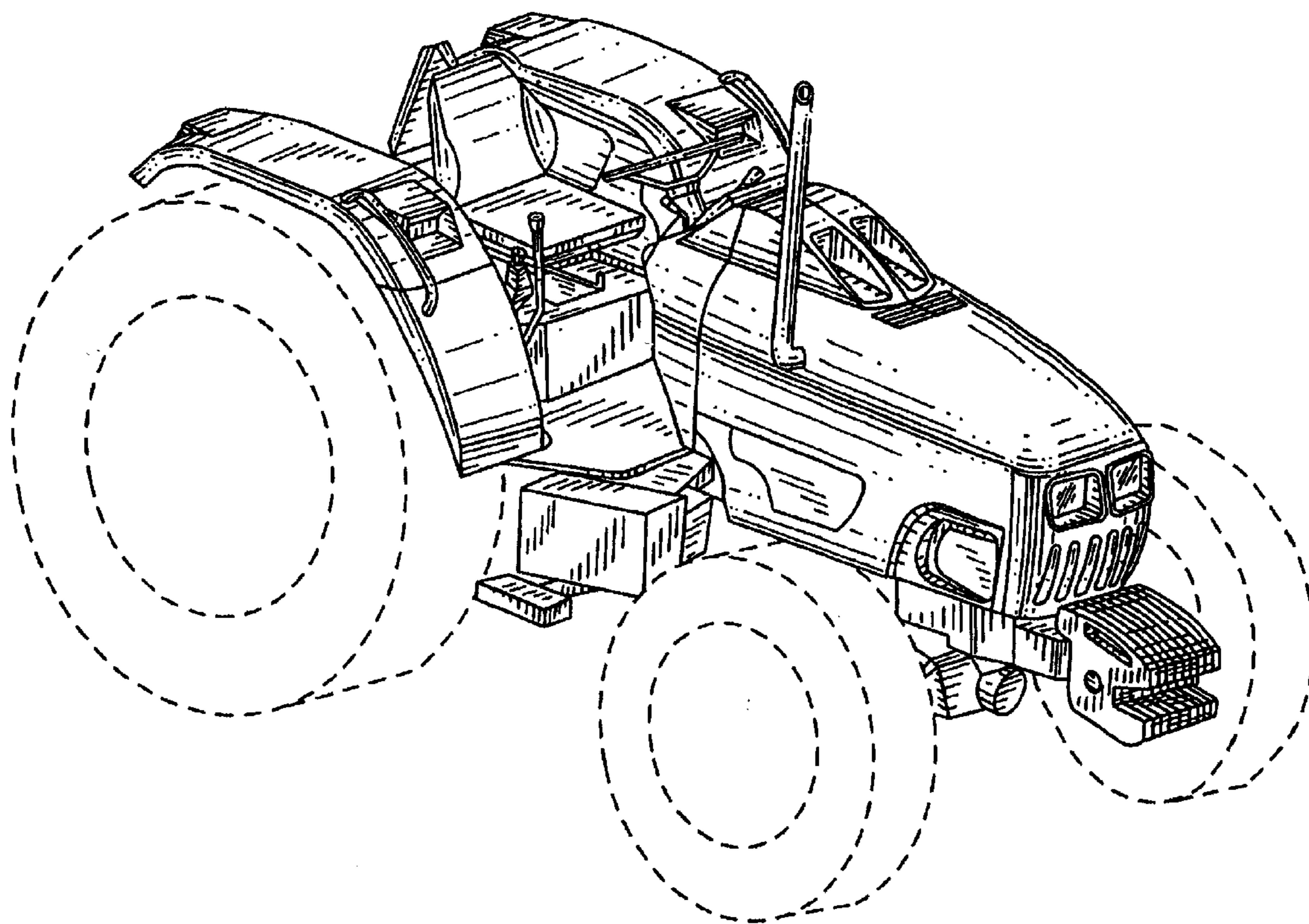


FIG. 1

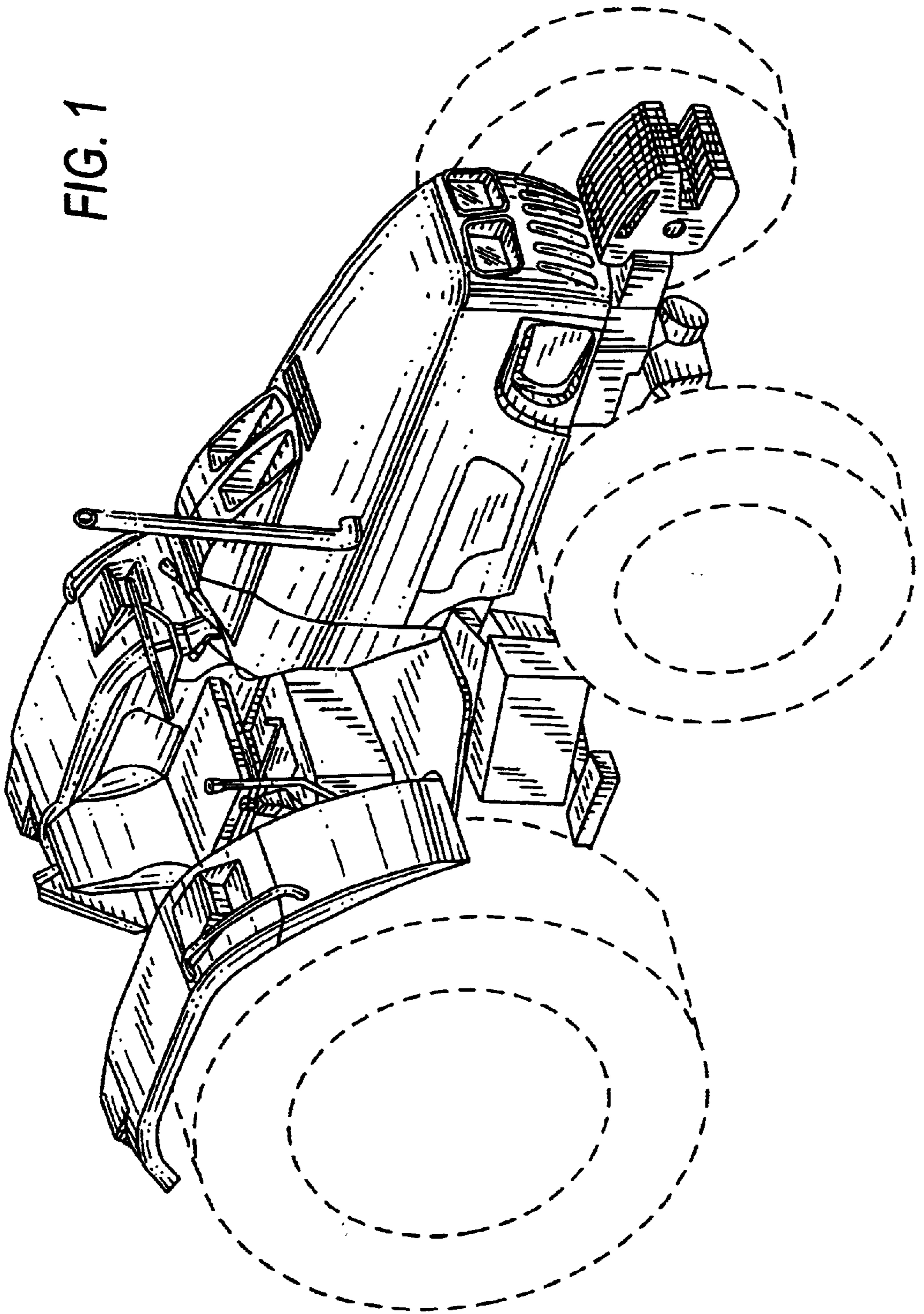


FIG. 2

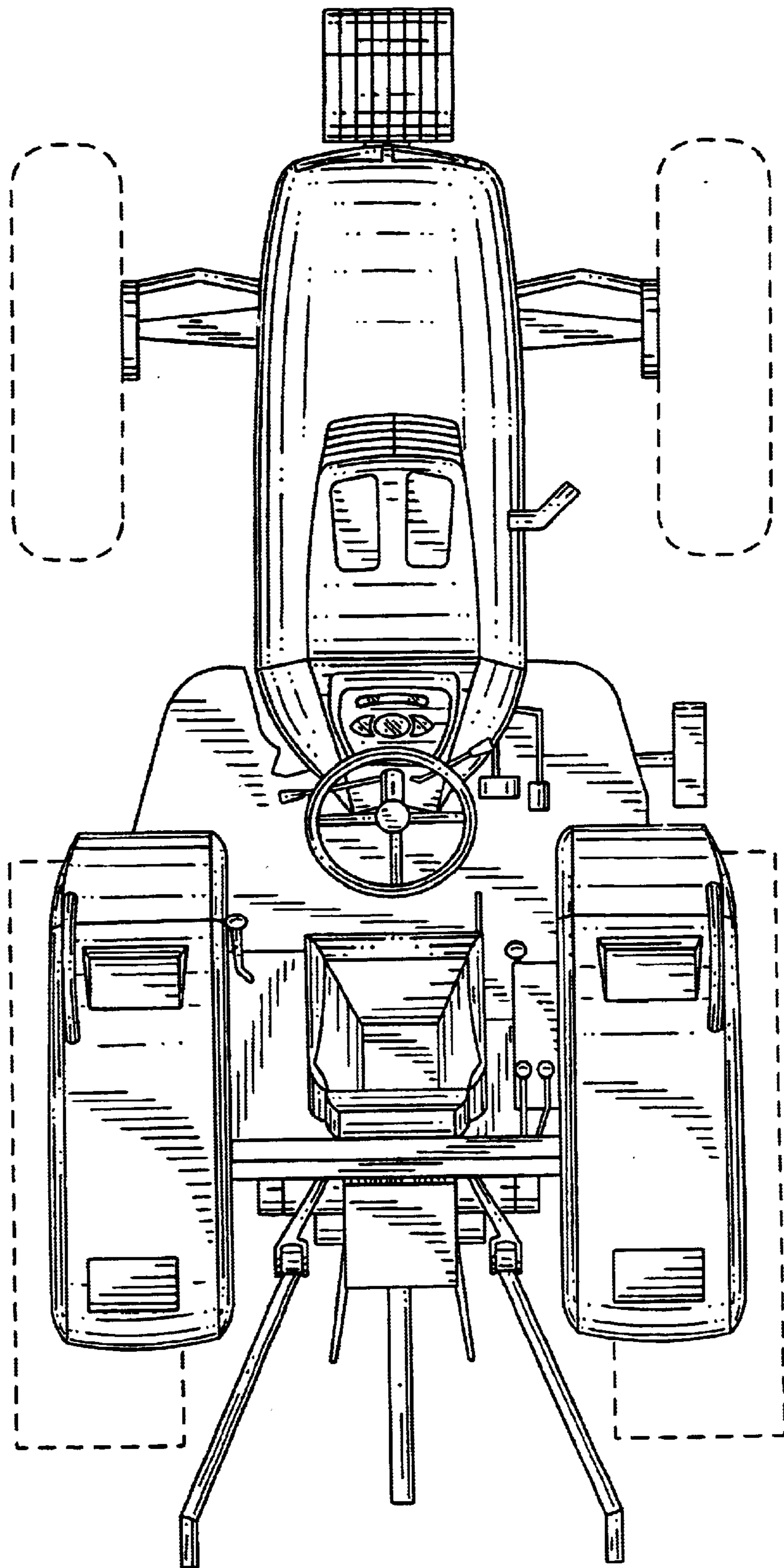


FIG. 3

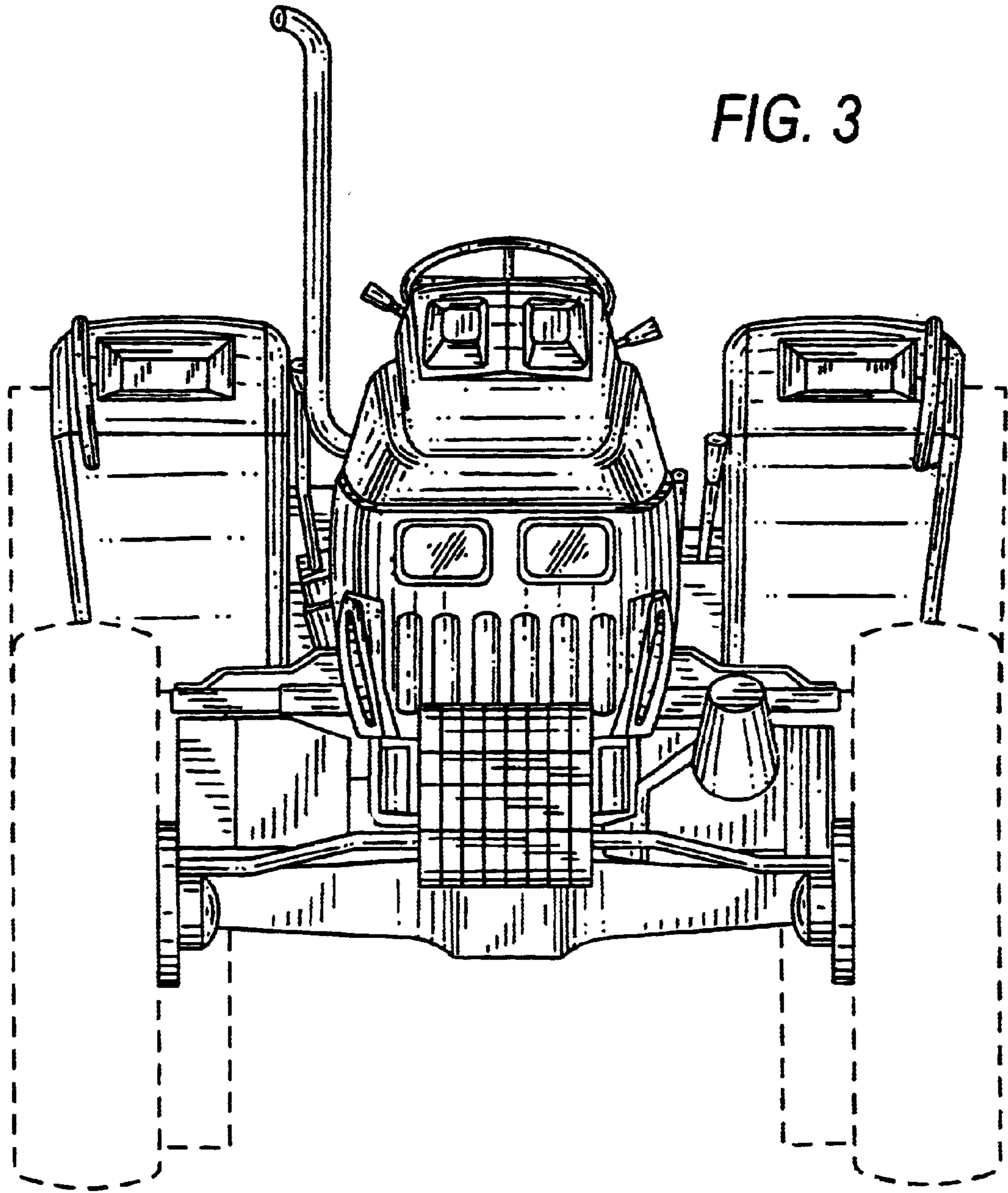
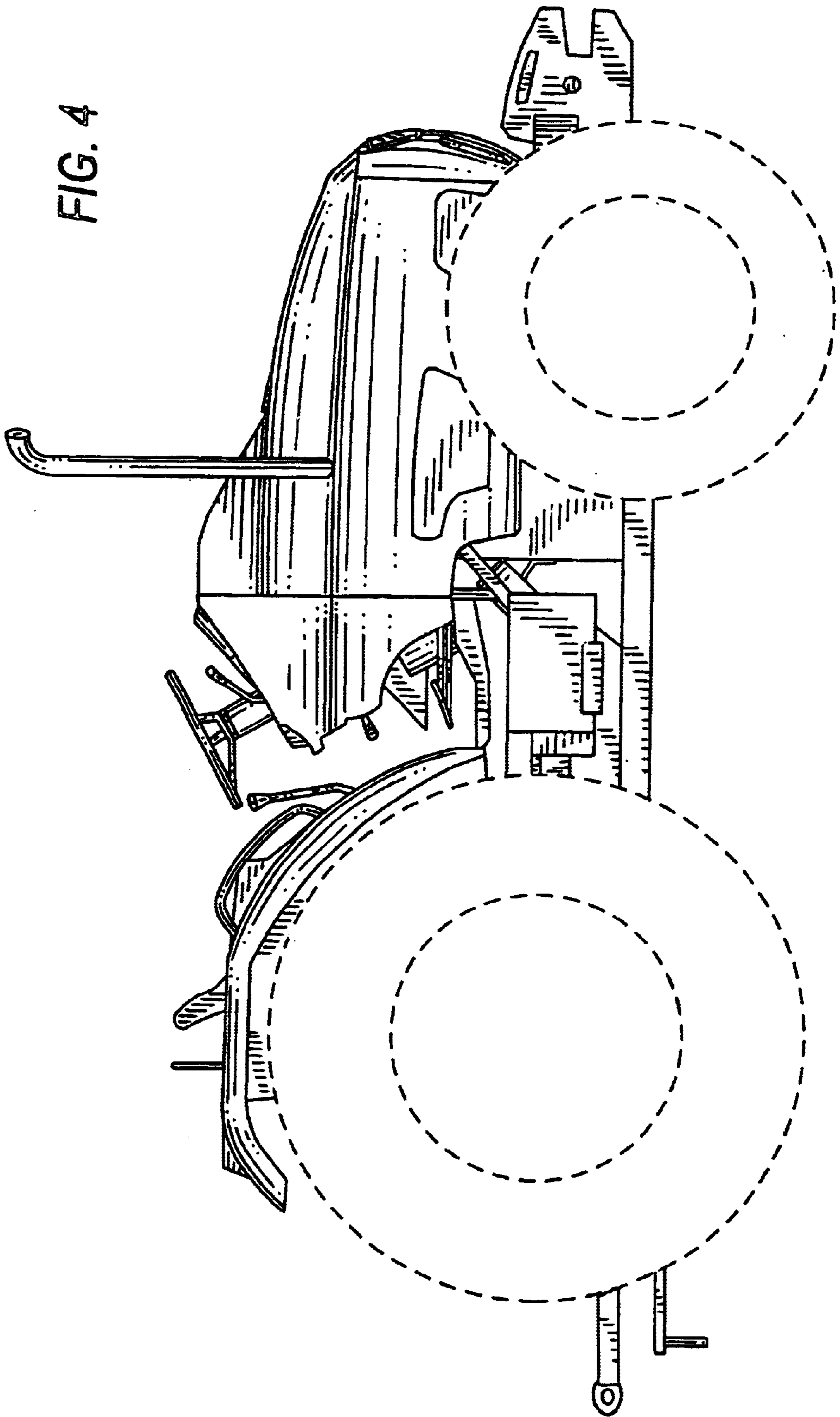


FIG. 4



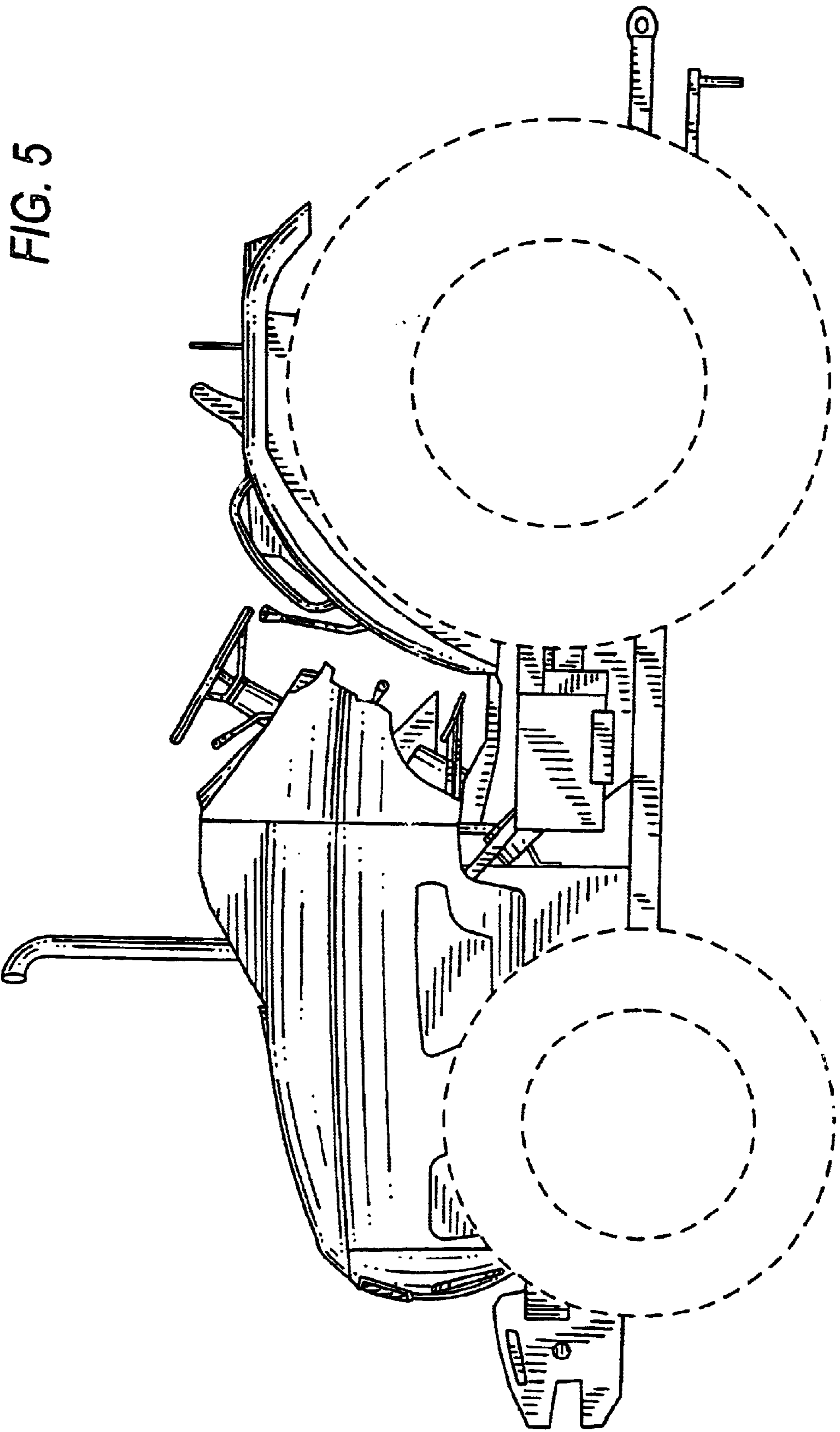


FIG. 6

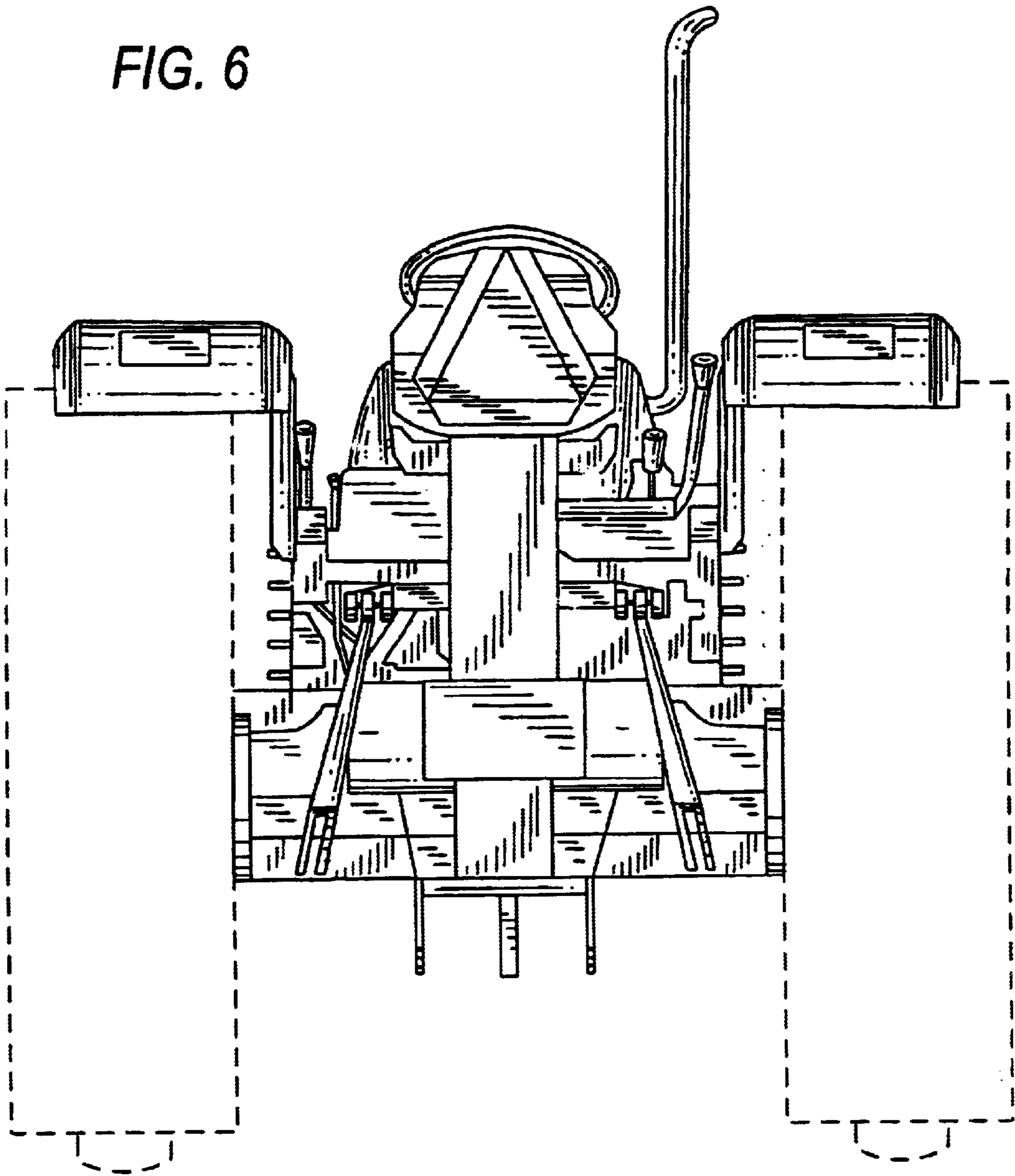


FIG. 7

