



US00D489377S

(12) **United States Design Patent**
van Kuijk

(10) **Patent No.:** **US D489,377 S**

(45) **Date of Patent:** **** May 4, 2004**

(54) **FLAT SCREEN SUPPORT**

(75) **Inventor:** **Ewald van Kuijk**, Eindhoven (NL)

(73) **Assignee:** **Vogel's Holding B.V.**, Eindhoven (NL)

(**) **Term:** **14 Years**

(21) **Appl. No.:** **29/172,758**

(22) **Filed:** **Dec. 16, 2002**

(30) **Foreign Application Priority Data**

Jun. 17, 2002 (WO) DM/060518

(51) **LOC (7) Cl.** **14-02**

(52) **U.S. Cl.** **D14/451**

(58) **Field of Search** D8/349, 354, 355,
D8/356, 366, 371, 373, 380; D14/375,
376, 377, 447, 451, 126; 211/86.01; 248/200,
201, 205.1, 214, 220.21, 274.1, 289.11-291.1,
300, 309.1, 917, 918, 919, 920, 921, 922,
923, 924; 361/681, 682, 683

(56) **References Cited**

U.S. PATENT DOCUMENTS

D276,612 S * 12/1984 McVicker et al. D14/451

D316,709 S * 5/1991 Howard et al. D14/451

D369,433 S * 4/1996 Cochran D8/354
5,632,463 A * 5/1997 Sung et al. 248/371
6,168,250 B1 * 1/2001 Rogov 248/922
6,199,810 B1 * 3/2001 Wu et al. 428/923
6,330,993 B1 * 12/2001 Cho 248/371
6,366,452 B1 * 4/2002 Wang et al. 248/918
6,418,010 B1 * 7/2002 Sawyer 361/683

* cited by examiner

Primary Examiner—Doris V. Coles

Assistant Examiner—Elizabeth A. Albert

(74) *Attorney, Agent, or Firm*—Ladas & Parry

(57) **CLAIM**

The ornamental design for a “flat screen support”, as shown.

DESCRIPTION

FIG. 1 is a back view of a flat screen support of this invention;

FIG. 2 is a perspective view thereof;

FIG. 3 is a top view thereof;

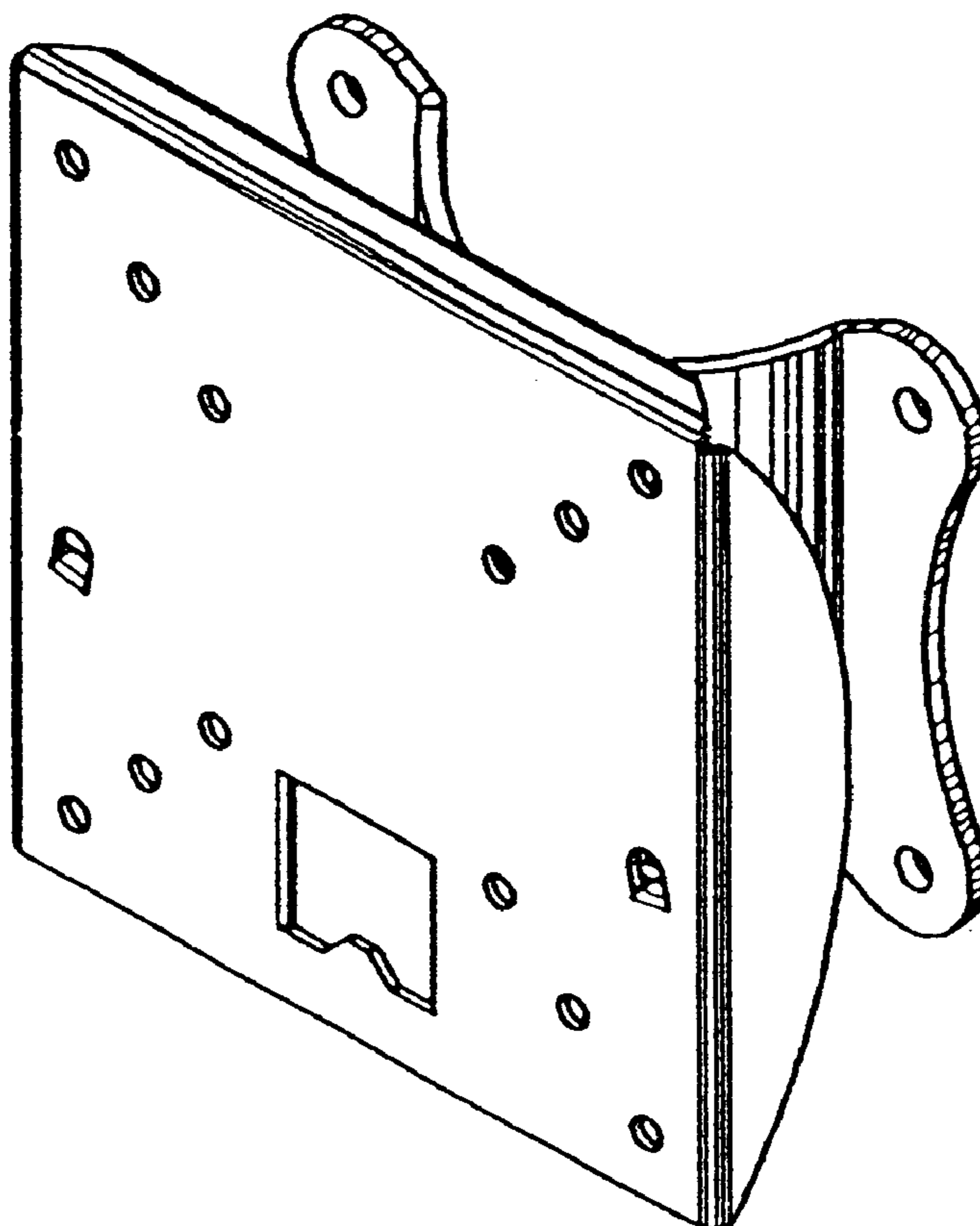
FIG. 4 is a front view thereof;

FIG. 5 is a bottom view thereof;

FIG. 6 is a left-side view thereof; and,

FIG. 7 is a right-side view thereof.

1 Claim, 3 Drawing Sheets



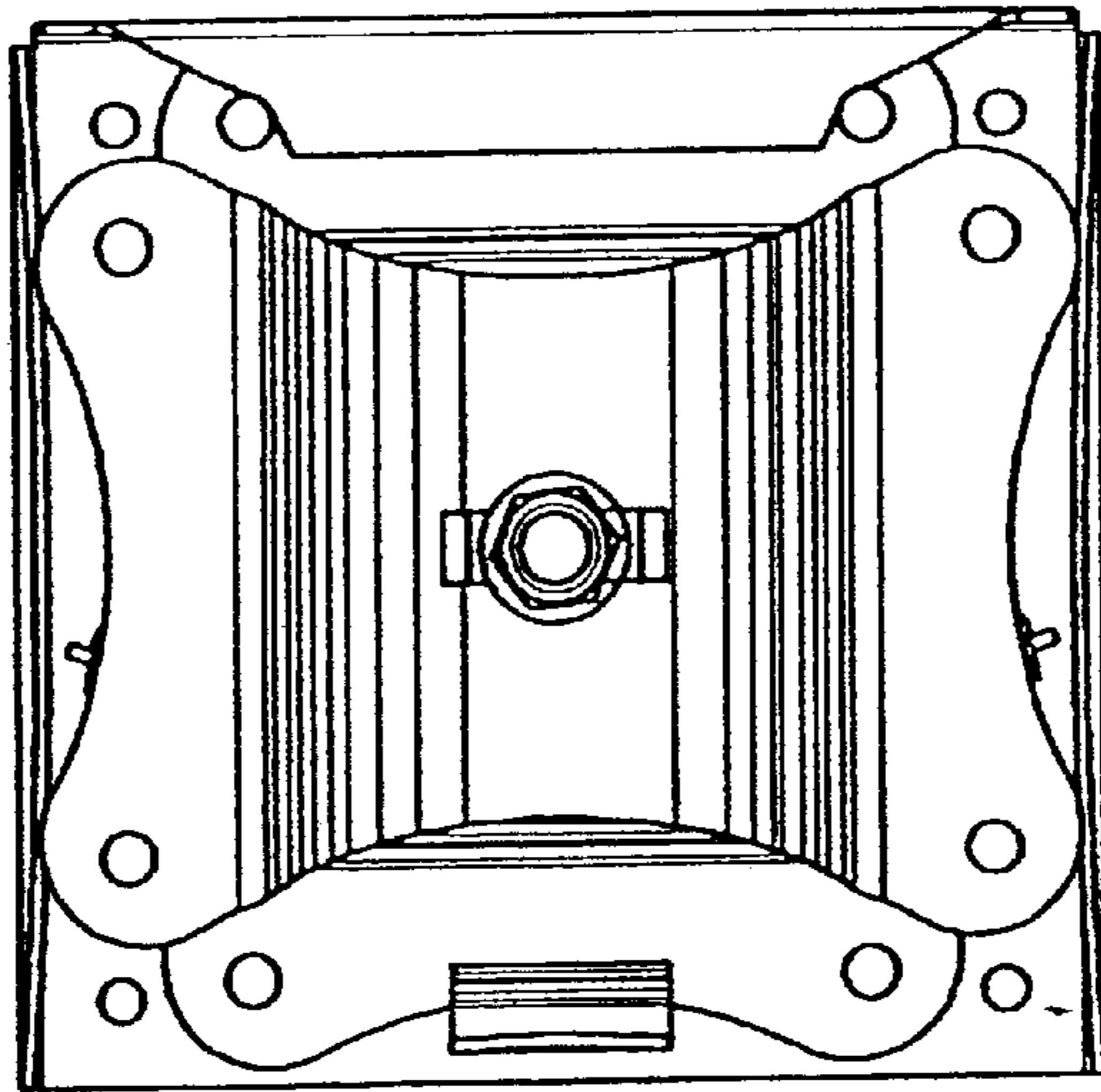


Fig. 1

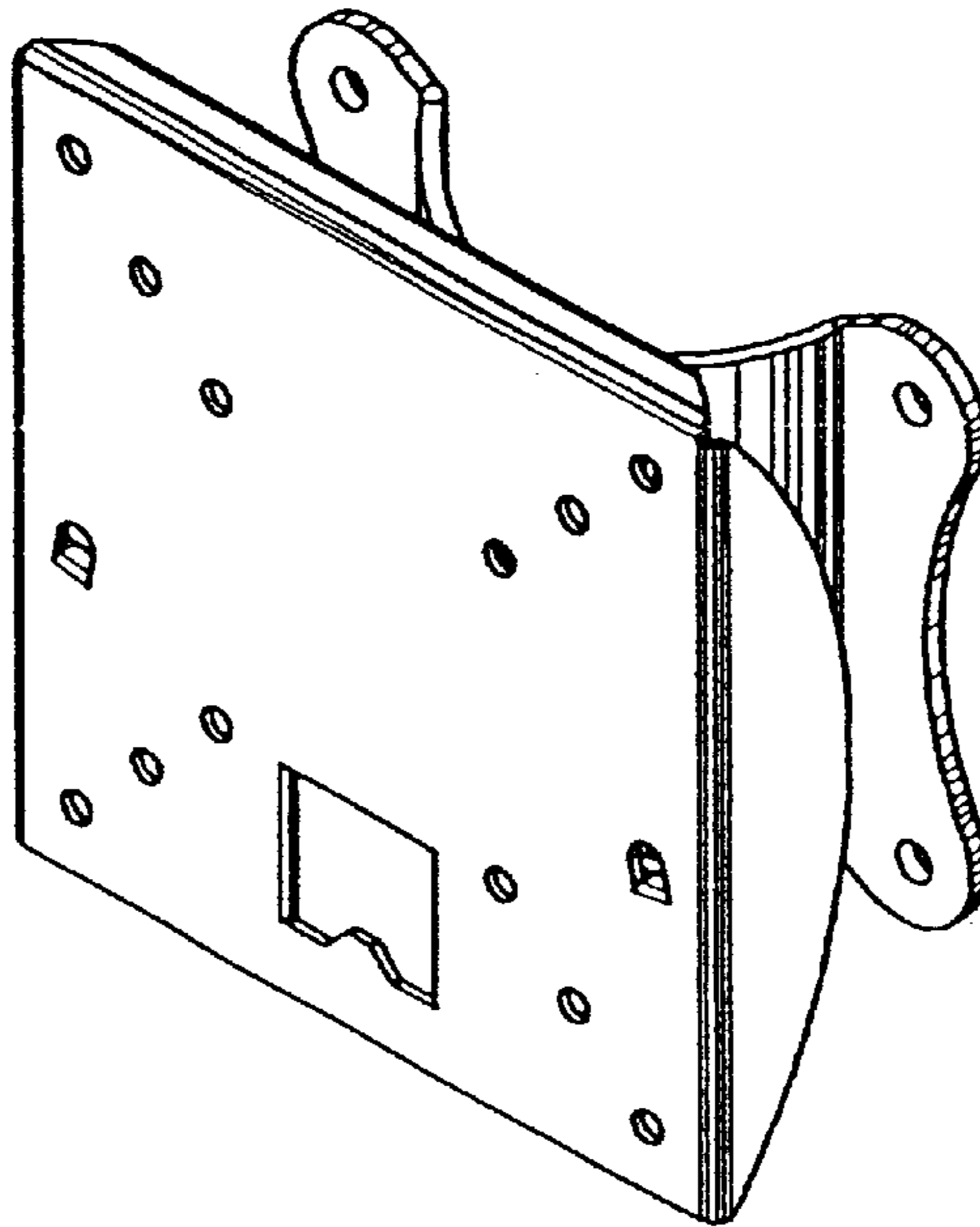


Fig. 2

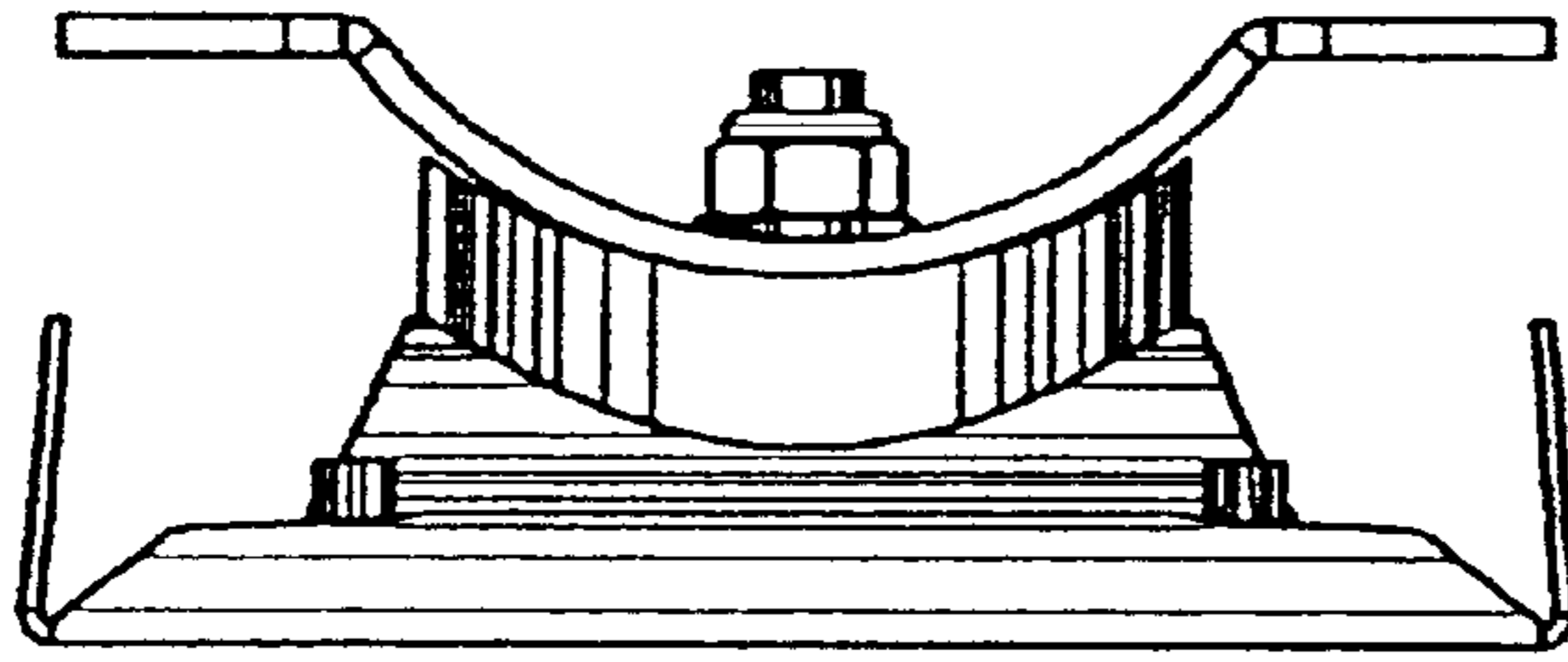


Fig. 3

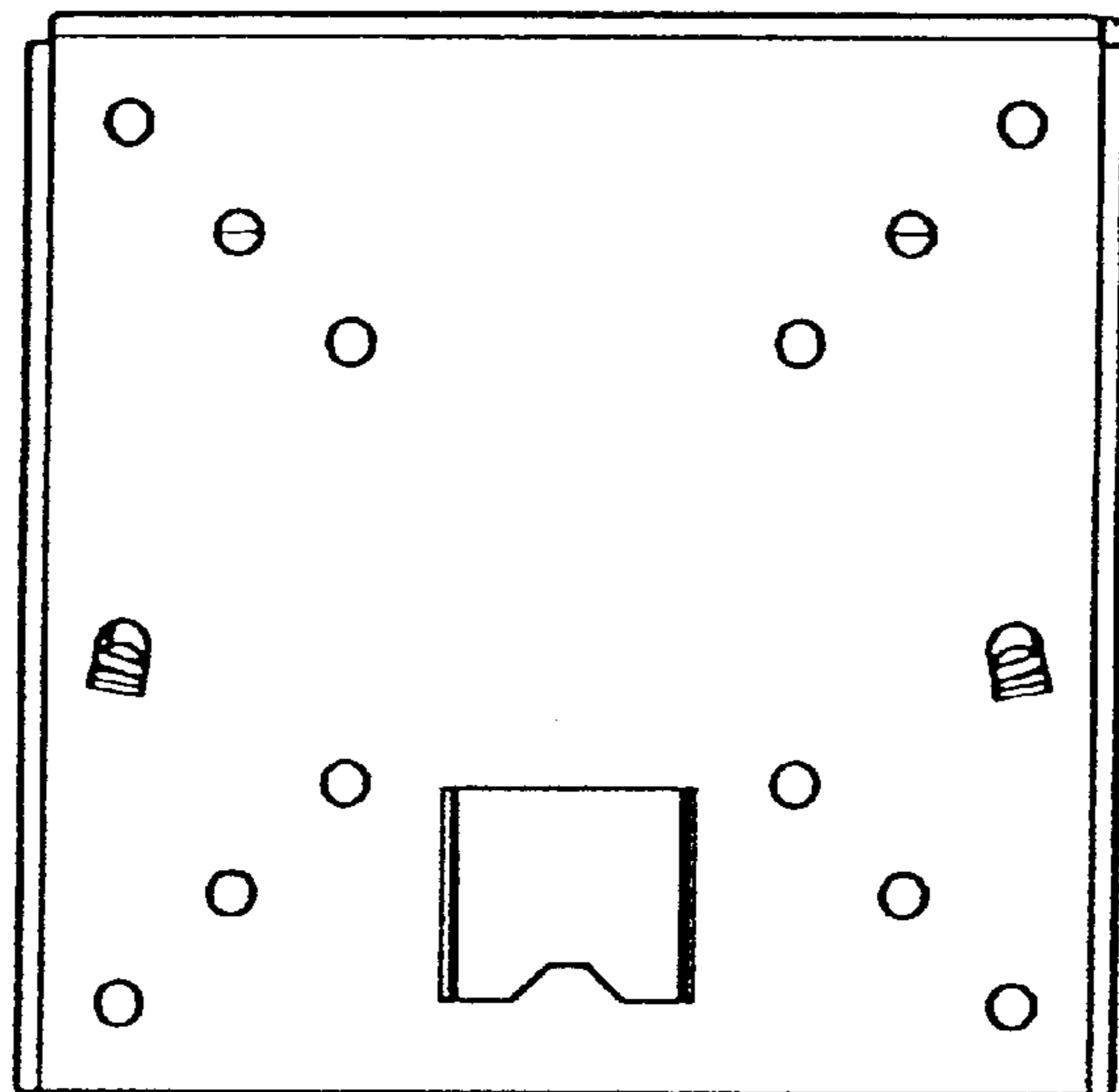


Fig. 4

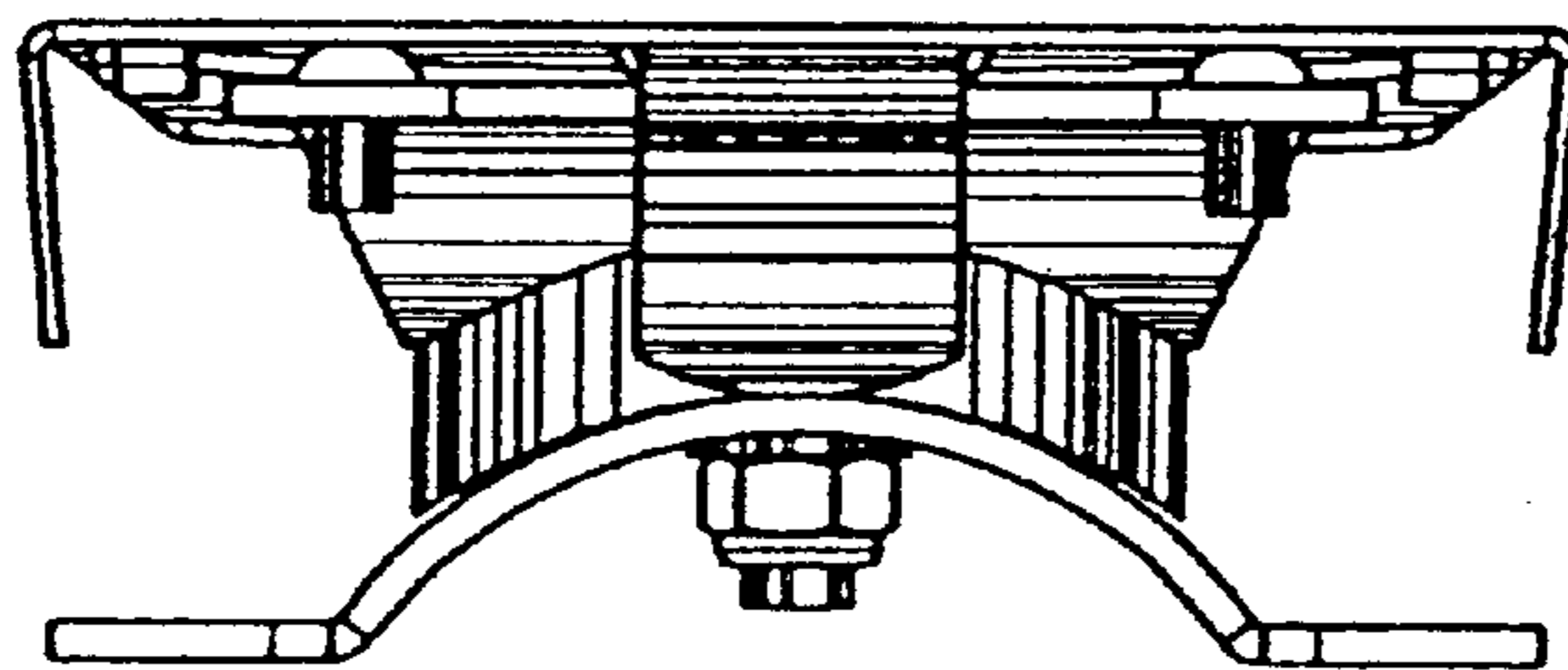


Fig. 5

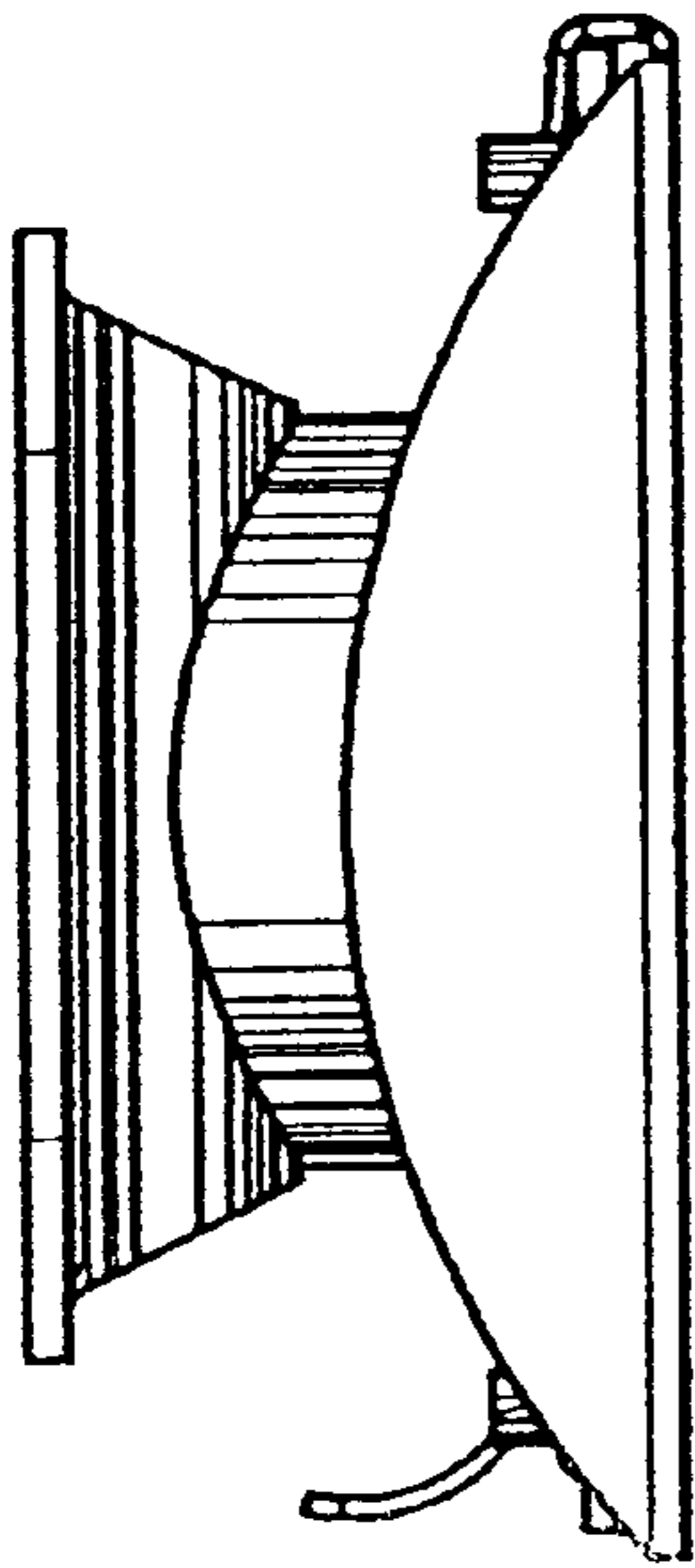


Fig. 6

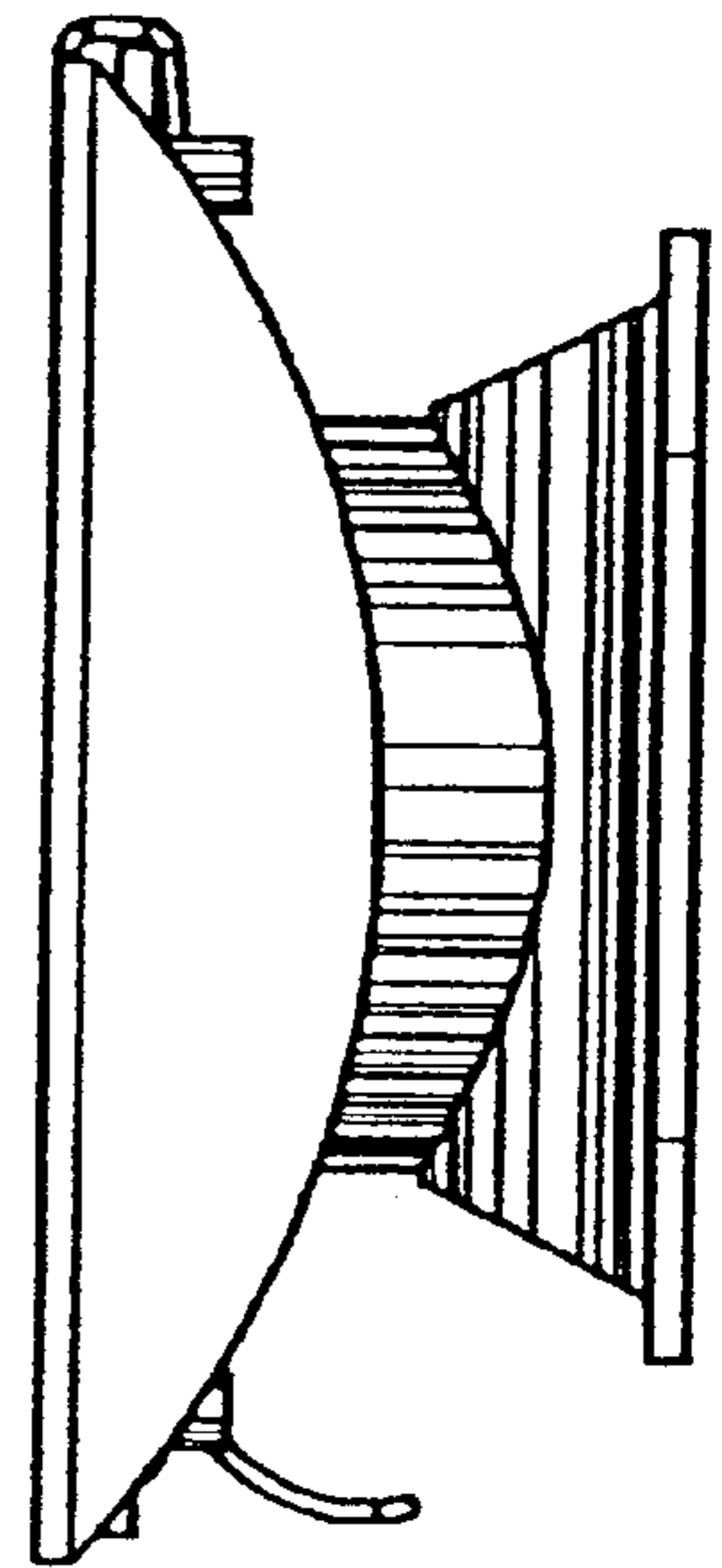


Fig. 7