



US00D489375S

(12) **United States Design Patent**  
**Stapleton**

(10) **Patent No.:** **US D489,375 S**

(45) **Date of Patent:** **\*\* May 4, 2004**

(54) **ADJUSTABLE MONITOR MIRROR**

D461,190 S \* 8/2002 Bell ..... D14/448  
D462,691 S \* 9/2002 Attwood et al. .... D14/439

(75) Inventor: **Frank L. Stapleton**, Reisterstown, MD (US)

\* cited by examiner

(73) Assignee: **Evans Manufacturing, Inc.**, Garden Grove, CA (US)

*Primary Examiner*—Kay H. Chin  
(74) *Attorney, Agent, or Firm*—James G O'Neill; Klein, O'Neill & Singh

(\*\*) Term: **14 Years**

(57) **CLAIM**

(21) Appl. No.: **29/143,575**

The ornamental design for an adjustable monitor mirror, as shown and described.

(22) Filed: **Jun. 15, 2001**

(51) **LOC (7) Cl.** ..... **14-02**

(52) **U.S. Cl.** ..... **D14/439**

(58) **Field of Search** ..... D14/432, 439, D14/448; D19/91; 359/839, 864, 854; 350/615, 626, 632; 248/441.1, 442.2, 444.1, 447.1, 917-924; D6/300, 302, 309, 312

**DESCRIPTION**

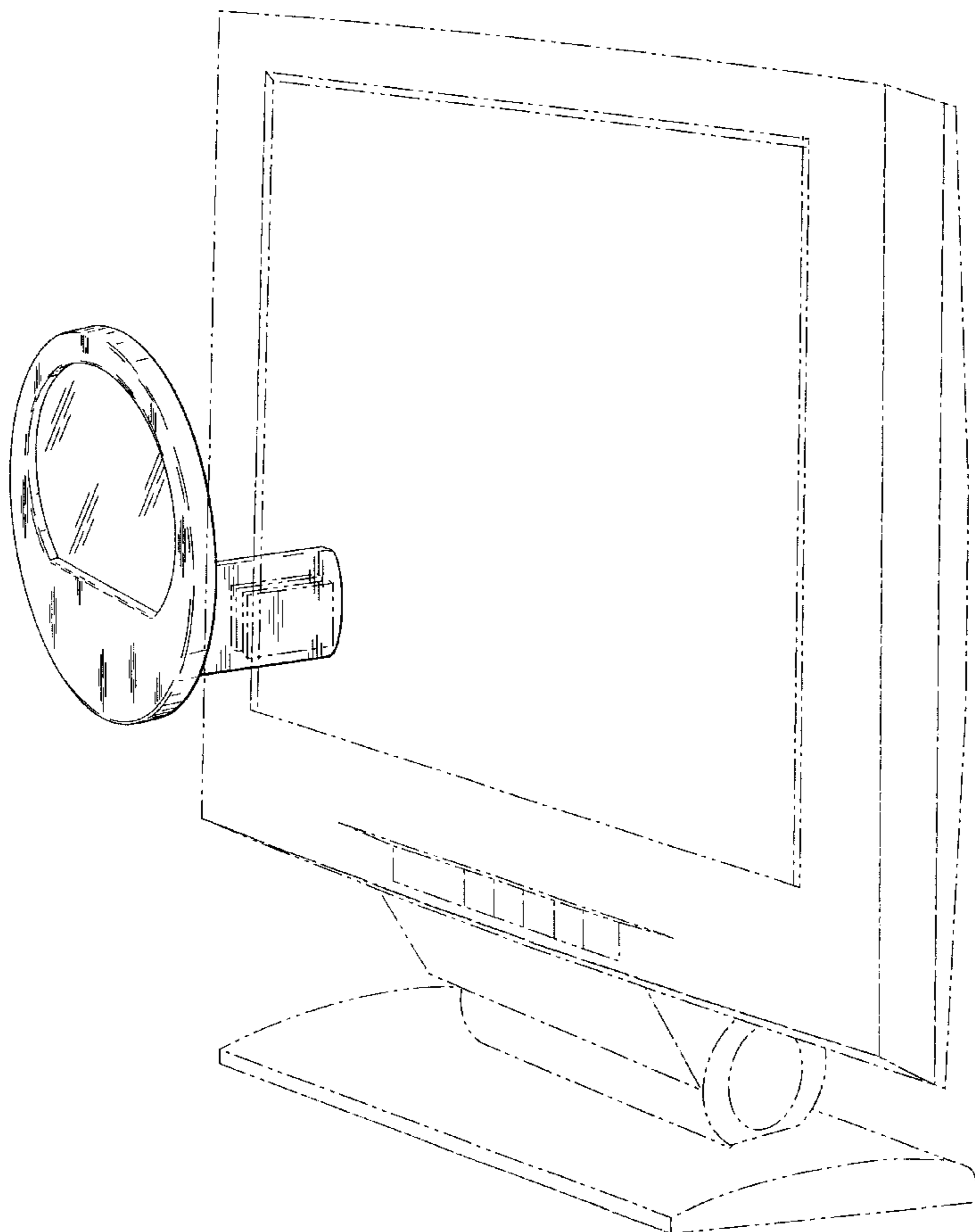
FIG. 1 is a right front perspective view of an adjustable monitor mirror, showing my new design; FIG. 2 is a front elevational view thereof; FIG. 3 is a rear elevational view thereof; FIG. 4 is a right side elevational view thereof, the other side being a mirror image thereof; and, FIG. 5 is a top plan view thereof. The broken line representation of a computer monitor in FIG. 1 is for illustrative purposes only and forms no part of the claimed design.

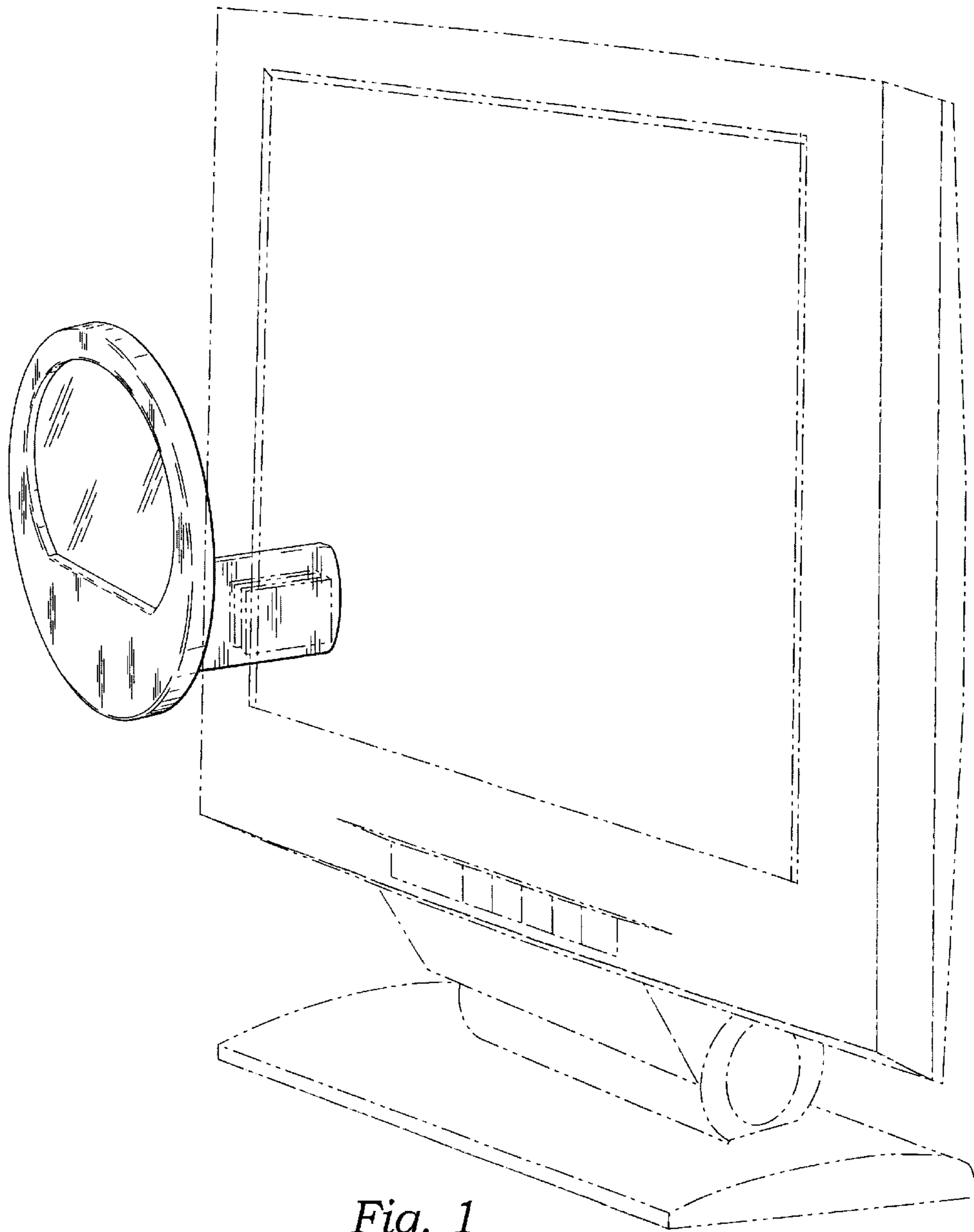
(56) **References Cited**

**U.S. PATENT DOCUMENTS**

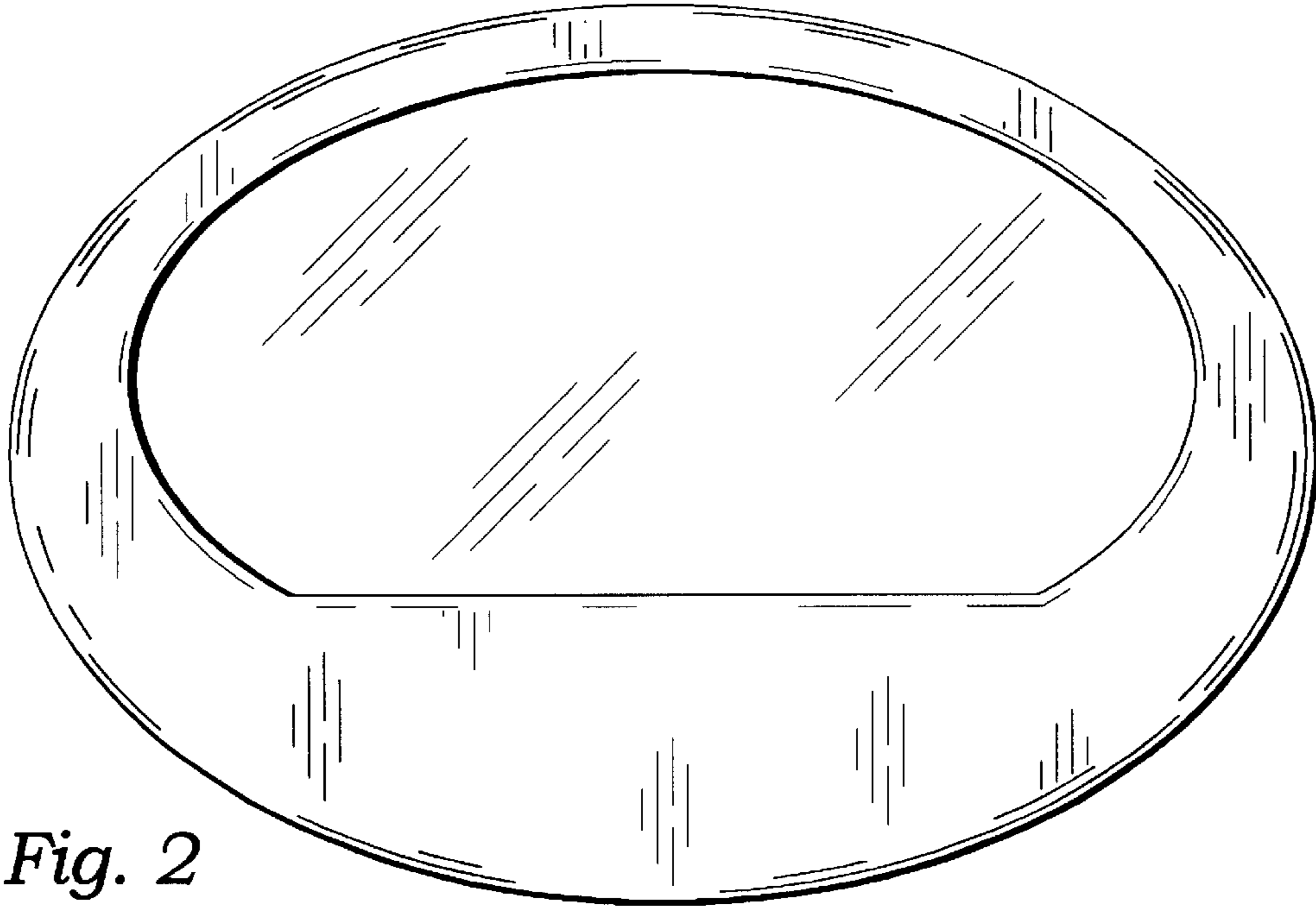
D357,008 S \* 4/1995 Pohlman ..... D14/439  
D412,893 S \* 8/1999 Newman ..... D14/439  
D445,798 S \* 7/2001 Moore ..... D14/439

**1 Claim, 3 Drawing Sheets**

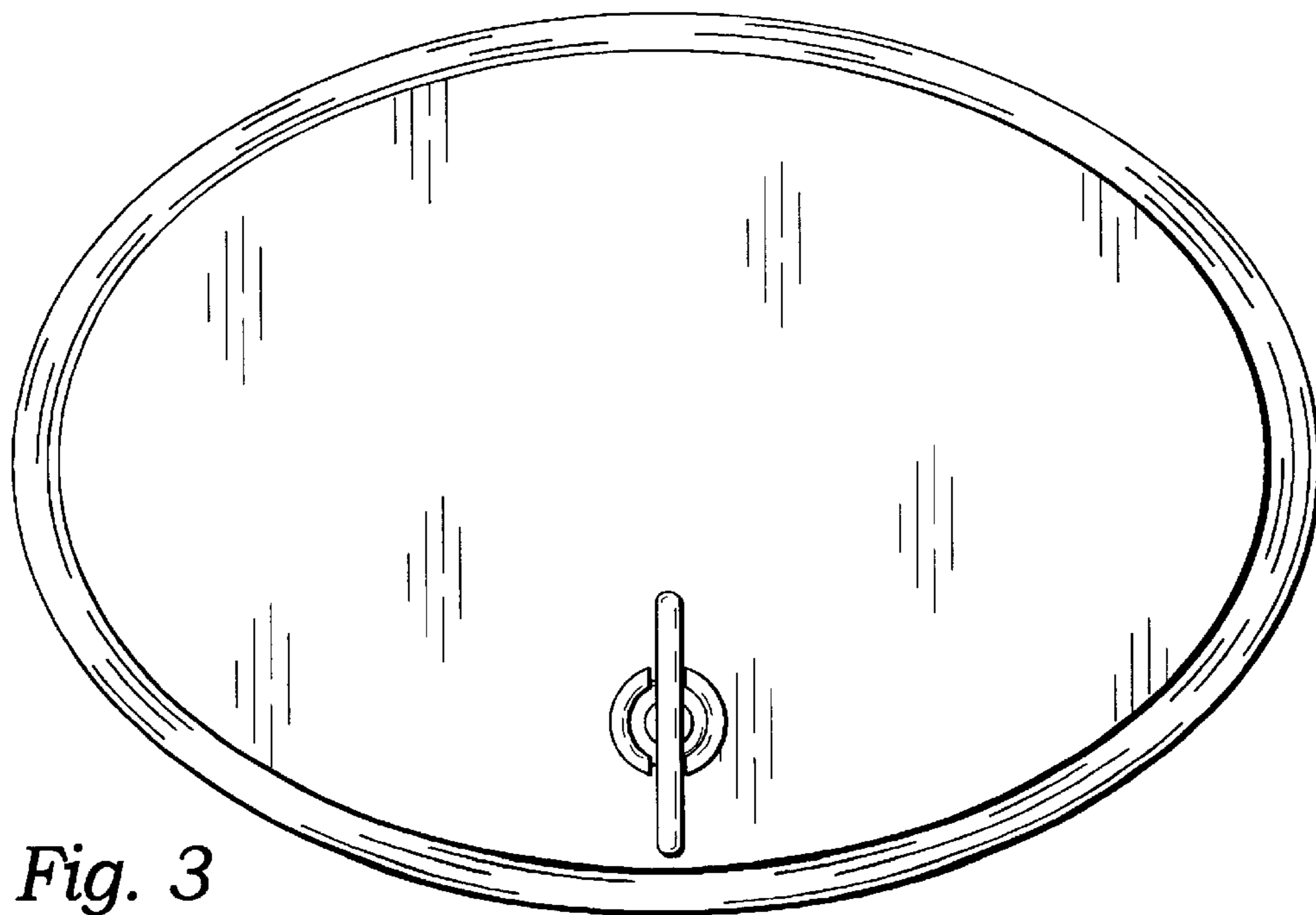




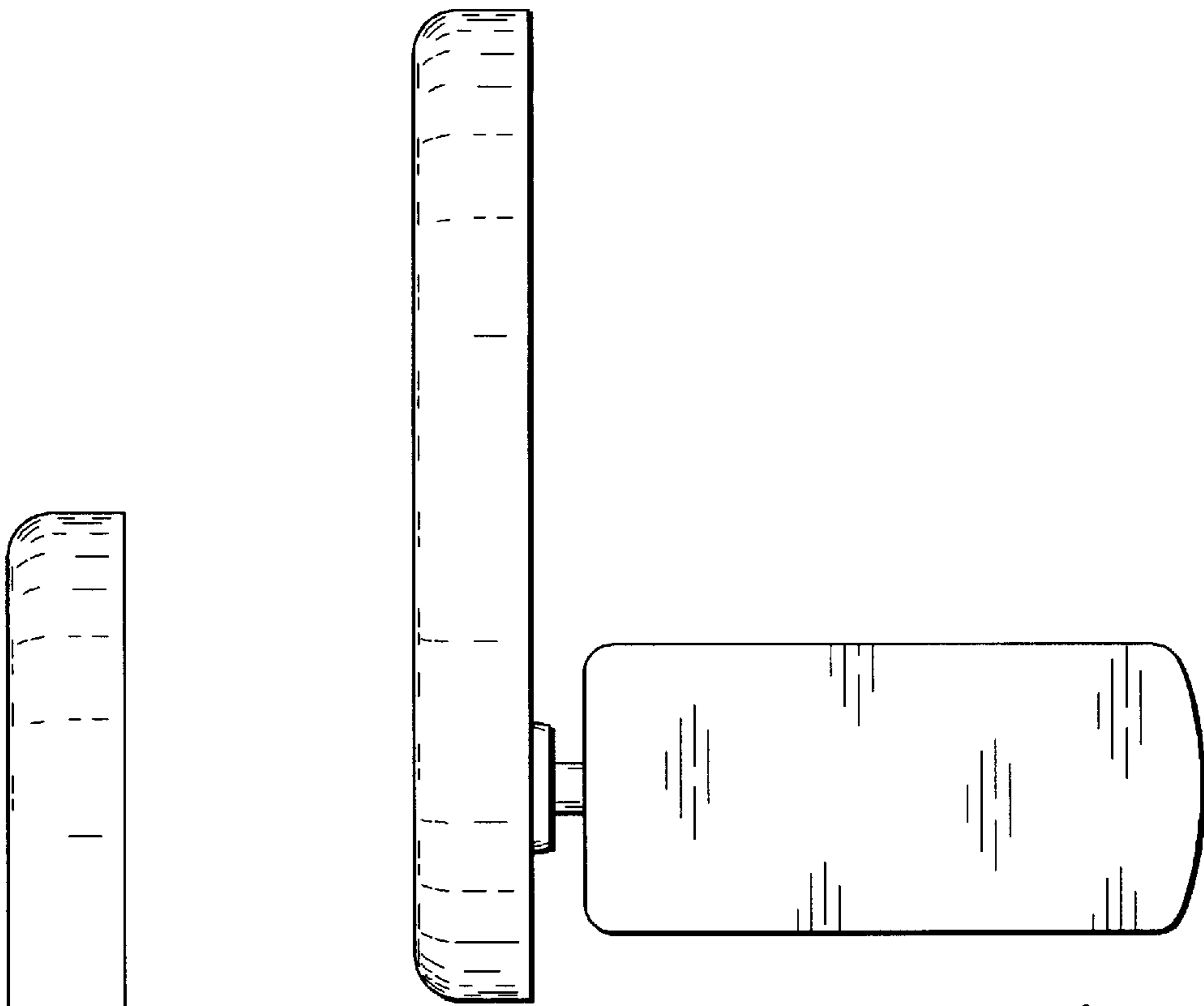
*Fig. 1*



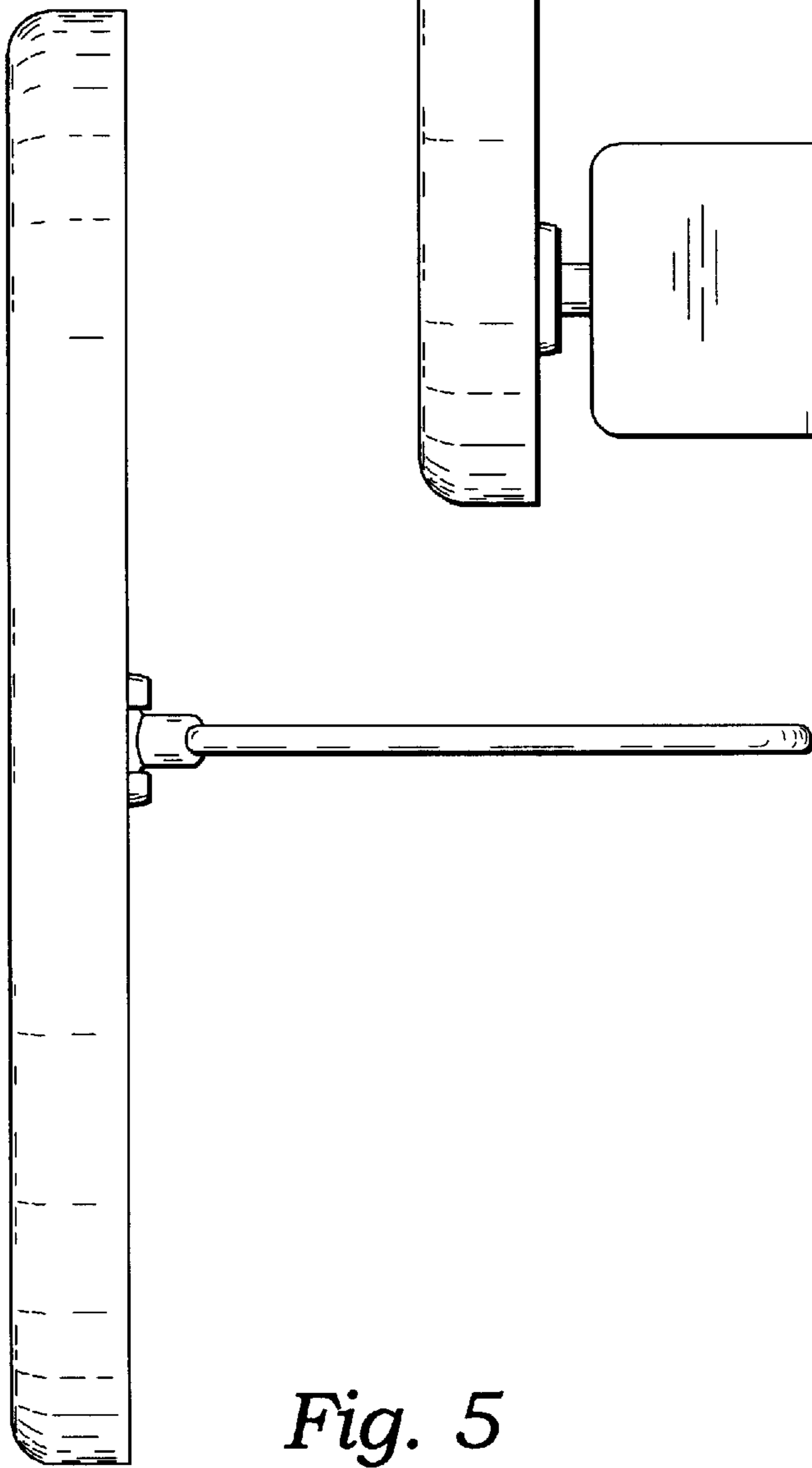
*Fig. 2*



*Fig. 3*



*Fig. 4*



*Fig. 5*